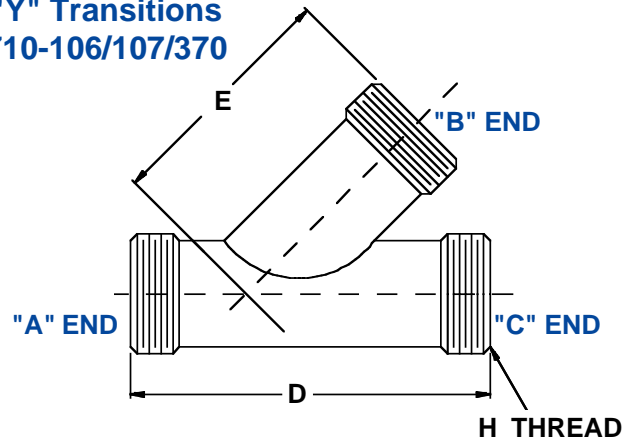


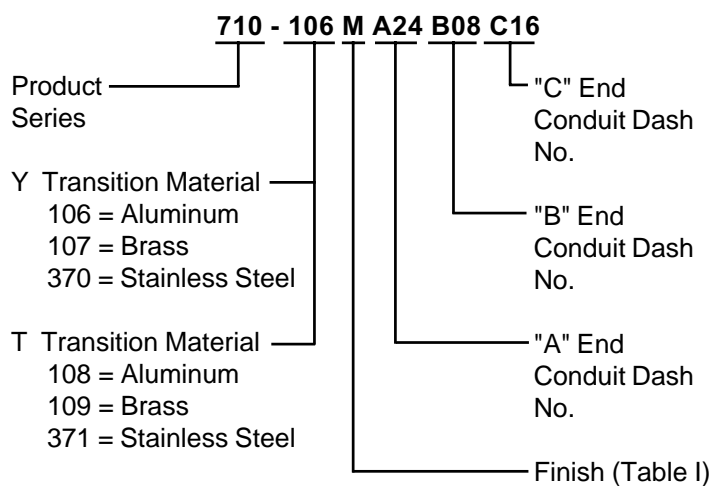
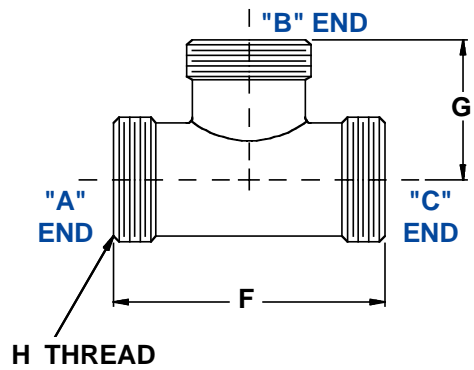
710-106/107/370 and 710-108/109/371 Metal "Y" and "T" Transitions for Series 72 & 74 Tubing and Series 75 Conduit



"Y" Transitions 710-106/107/370



"T" Transitions 710-108/109/371



SYMBOL	FINISH
B	Olive Drab over Cadmium Plate
J	Gold Iridite over Cadmium Plate over Nickel
M	Electroless Nickel
N	Olive Drab over Cadmium Plate over Nickel
NC	Zinc-Cobalt, Olive Drab
NF	Olive Drab over Cadmium Plate over Electroless Nickel (500 Hour Salt Spray)
T	Bright Dip Cadmium Plate over Nickel
Z1	Passivate

Metric dimensions (mm) are in parentheses.

CONDUIT DASH NO.	AVAILABILITY			H THREAD CLASS 2A	D MAX	E MAX	F MAX	G MAX
	72	74	75					
06		06		7/16 - 28 UNEF	1.97 (50.0)	1.20 (30.5)	1.33 (33.8)	.81 (20.6)
08			08	1/2 - 20 UNF	1.97 (50.0)	1.20 (30.5)	1.35 (34.3)	.84 (21.3)
09		09	09	9/16 - 24 UNEF	2.13 (54.1)	1.30 (33.0)	1.43 (36.3)	.88 (22.4)
10		10		9/16 - 24 UNEF	2.13 (54.1)	1.30 (33.0)	1.43 (36.3)	.88 (22.4)
12	12	12	12	5/8 - 24 UNEF	2.22 (56.4)	1.34 (34.0)	1.47 (37.3)	.91 (23.1)
14		14		11/16 - 24 UNEF	2.37 (60.2)	1.49 (37.8)	1.58 (40.1)	.94 (23.9)
16	16	16	16	3/4 - 20 UNEF	2.37 (60.2)	1.49 (37.8)	1.65 (41.9)	.94 (23.9)
20	20	20	20	7/8 - 20 UNEF	2.69 (68.3)	1.70 (43.2)	1.78 (45.2)	1.03 (26.2)
24	24	24	24	1 - 20 UNEF	2.75 (69.9)	1.84 (46.7)	1.85 (47.0)	1.13 (28.7)
28	28	28		1 3/16 - 18 UNEF	3.06 (77.7)	2.09 (53.1)	2.09 (53.1)	1.16 (29.5)
32	32	32	32	1 5/16 - 18 UNEF	3.28 (83.3)	2.23 (56.6)	2.43 (61.7)	1.16 (29.5)
40	40	40	40	1 1/2 - 18 UNEF	3.59 (91.2)	2.50 (63.5)	2.65 (67.3)	1.28 (32.5)
48		48	48	1 3/4 - 18 UNS	4.23 (107.4)	2.96 (75.2)	3.15 (80.0)	1.53 (38.9)
56		56	56	2 - 18 UNS	5.00 (127.0)	3.50 (88.9)	3.40 (86.4)	1.69 (42.9)
64		64	64	2 1/4 - 16 UN	5.00 (127.0)	3.50 (88.9)	3.75 (95.3)	1.87 (47.5)
80			80	2 3/4 - 16 UN	5.70 (144.8)	4.10 (104.1)	4.25 (108.0)	2.13 (54.1)

* Consult factory for adapters using 3.000 inch (76.2) conduit