

GERMANIUM NPN TRANSISTORS

Type	V_{CBO} V Max	V_{EBO} V Max	V_{CE} V Max		I_{CBO} μA @ V_{CB} V	h_{FE} Typical	@ I_C mA	C_{ob} pf Max	fab MHZ Min	Pack Outline	Power Dissipation @25°C MW	
NPN												
2N356A	30	20	20		30	5	20	100		TO-5	150	
2N357	20	20	15		20	5	45	1.0		TO-5	100	
2N357A	30	20	20		30	5	25	200	14'	TO-5	150	
2N358	20	20	12		20	5	60	1.0		TO-5	100	
2N358A	30	20	15		30	5	25	300	14'	TO-5	150	
2N358A	30	20	15		30	25	25	300		TO-5	150	
2N366	30		2		30	10	65	1.0	4.5	OV9	150	
2N377	25	15	20		25	10	40	30	20	TO-5	150	
2N377A	40	15			40	20	20	30	20	TO-5	150	
2N385	25	15	25		25	10	60	30	20	TO-5	150	
2N385A	40	15	15		40	40	70	30	20	TO-5	150	
2N388	20	15	20		20	10	150	30	20	TO-5	150	
2N388	25	15	20		25	10	60	30	20	TO-5	150	
2N388A	40	15			40	10	60	30	20	TO-5	150	
2N438	30	25	25		30	10	25	1.0	9'	TO-5	100	
2N438A	30	25	25		30	10	25	1.0	9'	TO-5	150	
2N439	30	25	20		30	10	35	1.0	9'	TO-5	100	
2N439A	30	25	20		30	10	35	1.0	9'	TO-5	150	
2N440	30	25	15		30	10	65	1.0	9'	TO-5	100	
2N440A	30	25	15		30	10	65	1.0	9'	TO-5	150	
2N444	15		15		15	2	15	1.0	13'	TO-5	100	
2N444A	40	10	25		40	5	15	1.0		TO-5	150	
2N445	15		12		15	2	35	1.0	13'	TO-5	100	
2N446	30	10	18		30	4	35	1.0		TO-5	150	
2N446A	30	10	15		30	4	60	1.0		TO-5	150	
2N447A	30	10	12		30	4	85	1.0		TO-5	150	
2N587	40	40	20		40	50	20	200	30	TO-5	150	
2N634	20	15	15		20	5	15	200		TO-5	150	
2N534A	25	25	20		25	6	55	10	12'	TO-5	150	
2N635	20	15	15		20	5	25	200		TO-5	150	
2N635A	25	25	20		25	6	100	10	12'	TO-5	150	
2N636	20	15	15		20	5	35	200		TO-5	150	
2N636A	25	25	15		25	6	190	10	12'	TO-5	150	
2N1302	25	25	25		25	6	20	10	20	TO-5	150	
2N1302	25	25	25		25	6	20	10	20	TO-5	150	
2N1304	25	25	20		25	6	40-200	10	20	TO-5	150	
2N1304	25	25	20		25	6	40-200	10	20	TO-5	150	
2N1306	25	25	15		25	6	60-300	10	20	TO-5	150	
2N1306	25	25	15		25	6	60-300	10	20	TO-5	150	
2N1308	25	25	15		25	6	80	10	20	TO-5	150	
2N1308	25	25	15		25	6	80-400	10	20	TO-5	150	
2N1605	25	12	2Y		25	5	125	20	20	TO-5	150	
2N1605A	40	12			40	10	60	20	20	TO-5	200	
2N1730	25	20	15		25	6	30	100	20	TO-5	150	
2N1732	30	25	30		30	6	40	10	20	TO-5	150	
2N1808	25	20	25		25	5	125	20	13'	TO-5	150	
2N1892	30	25	15		30	6	30	2	20	TO-5	150	
2N1993	30	30	15		30	10	50	10	20	TO-5	150	
2N2430	32	10	32		32	10	105	50	90	TO-1	280	

Type	V_{CBO} V Max	V_{EBO} V Max	V_{CE} V Max		I_{CBO} μA @ V_{CB} V	h_{FE} Min Max	@ I_C mA	C_{ob} pf Max	fab MHZ Min	Pack Outline	Power Dissipation @25°C MW
------	-----------------------	-----------------------	----------------------	--	---	---------------------	---------------	-----------------------	-------------------	-----------------	-------------------------------------

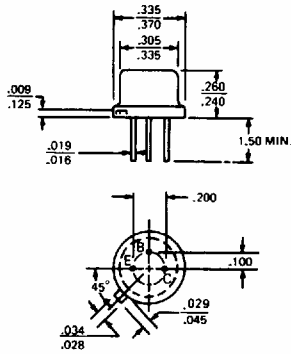
GERMANIUM PNP MESA TRANSISTORS

2N705	15	3.5			5	3.0	25-	10		300	TO-18 ^{1,2}	300
2N705A	15	3.5			5	3.0	25-	10		300	TO-18 ¹	150
2N710	15	1.0			1	3.0	25-	10		300	TO-18 ¹	300
2N711	12	1.0	12		5	3.0	20-	10	7.5	150	TO-18 ¹	150
2N711A	15	1.5	7		5	1.5	25-	10	6.0	150	TO-18 ¹	150
2N711B	18	2.0	7		10	1.5	30-	10	6.0	150	TO-18 ¹	150
2N827	20	4.0			15	5.0	100-	10	9.0		TO-18 ¹	150
2N828	18	2.5			6	3.0	25-	10		300	TO-18 ¹	300

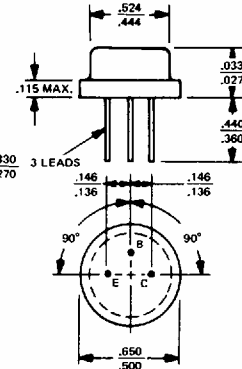
GERMANIUM POWER TRANSISTORS

CASE OUTLINE DRAWINGS & DIMENSIONS

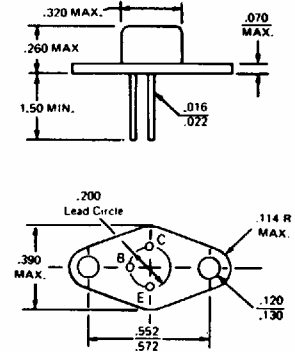
T0-5



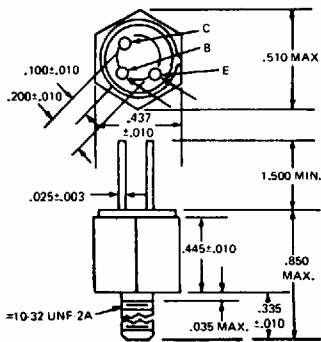
T0-8



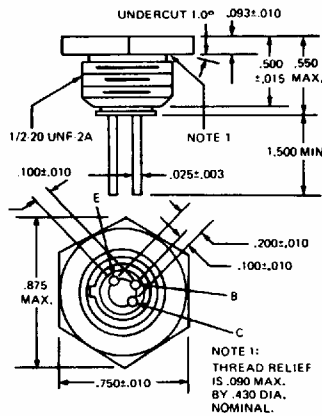
T0-37



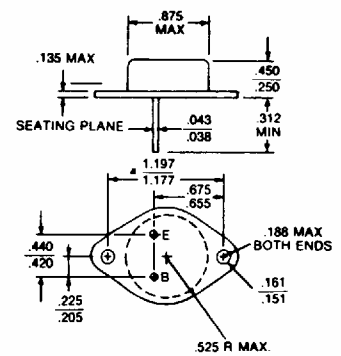
MT-27



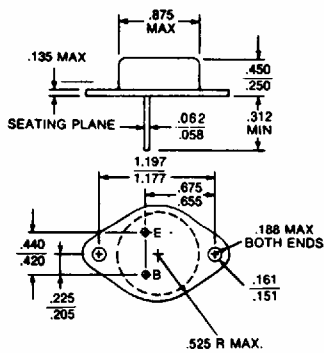
MT-28



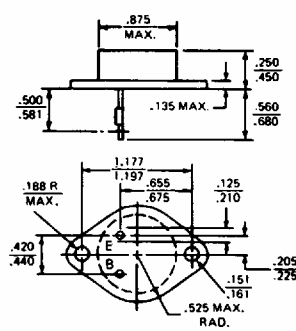
T0-3



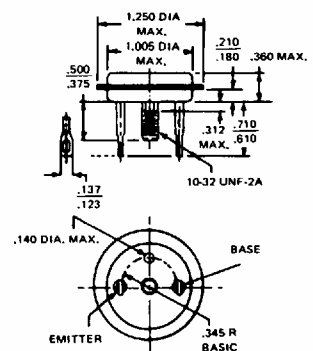
MODIFIED T0-3
(60 mil pins)



T0-41



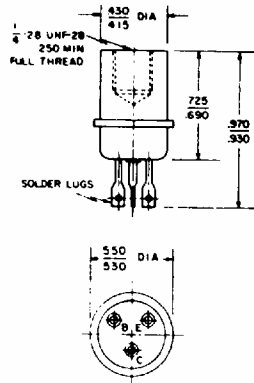
T0-36



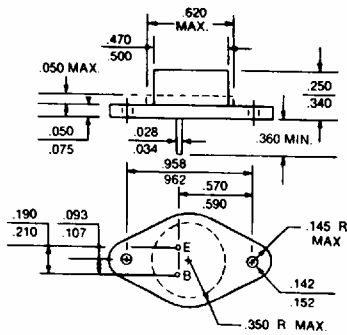
GERMANIUM POWER TRANSISTORS

CASE OUTLINE DRAWINGS & DIMENSIONS

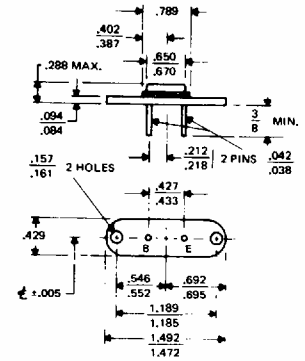
TO-13



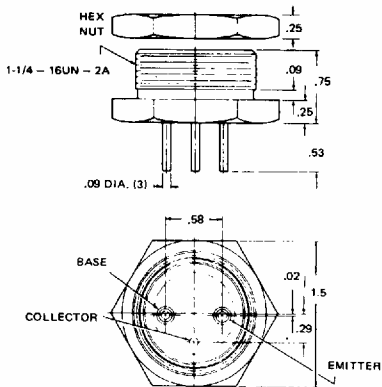
TO-66



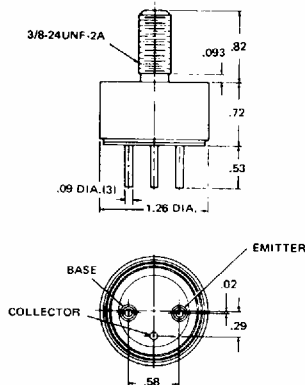
MS-7



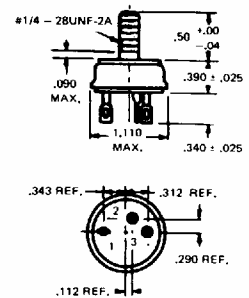
MT-22



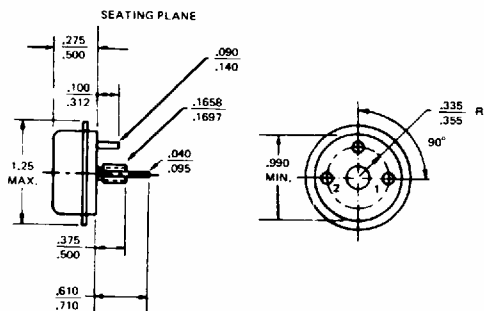
MT-23



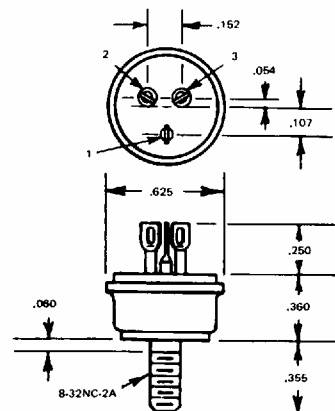
MT-7



TO-68



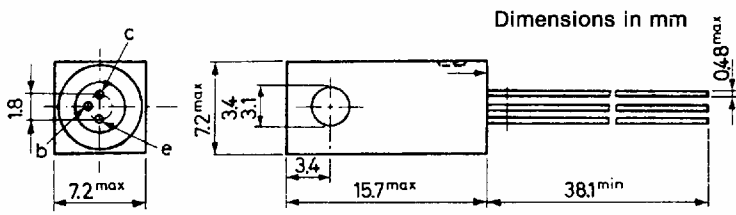
MT-36



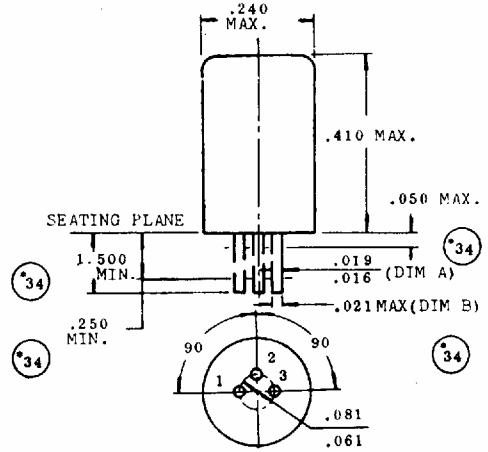
GERMANIUM POWER TRANSISTORS

CASE OUTLINE DRAWINGS & DIMENSIONS

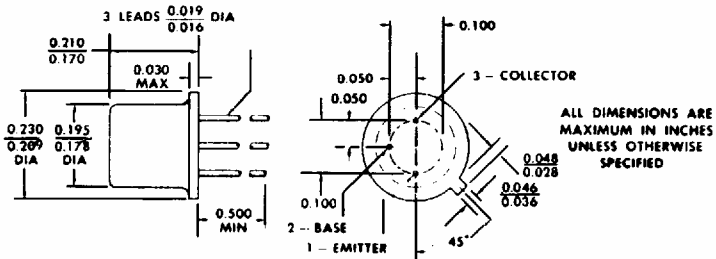
NS257



TO-1



TO-18



THE COLLECTOR IS ELECTRICAL CONTACT WITH THE CASE.

ALL JEDEC TO-18 DIMENSIONS AND NOTES ARE APPLICABLE.



GERMANIUM POWER DEVICES CORP.

300 Brickstone Square · York Street · P.O. Box 3065
Shawsheen Village Station · Andover, Massachusetts 01810
Telephone (508) 475-5982 · FAX (508) 470-1512