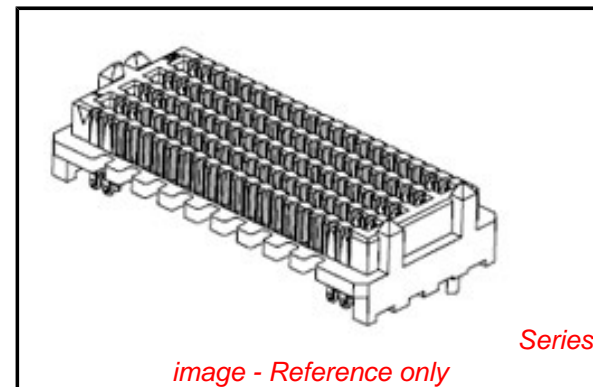


**PLEASE CHECK WWW.MOLEX.COM FOR LATEST PART INFORMATION**

**Part Number:** [0459703211](#)  
**Status:** **Active**  
**Overview:** [searay](#)  
**Description:** 1.27mm (.050") x 1.27mm (.050") Pitch SEARAY\* Plug, 300 Circuits, 2.00mm (.078") Unmated Height, 10 Rows, Lead Free

**Documents:**

|  |  |
|--|--|
| <a href="#">3D Model</a>                                 | <a href="#">Product Specification PS-45970-002 (PDF)</a> |
| <a href="#">Drawing (PDF)</a>                            | <a href="#">RoHS Certificate of Compliance (PDF)</a>     |
| <a href="#">Product Specification PS-45970-001 (PDF)</a> |  |



**Agency Certification**

|     |         |
|-----|---------|
| CSA | LR19980 |
| UL  | E29179  |

**General**

|                |                        |
|----------------|------------------------|
| Product Family | PCB Headers            |
| Series         | <a href="#">45970</a>  |
| Application    | Board-to-Board         |
| MolexKits      | Yes                    |
| Overview       | <a href="#">searay</a> |
| Product Name   | SEARAY*                |

**Physical**

|                                |                                |
|--------------------------------|--------------------------------|
| Breakaway                      | No                             |
| Circuits (Loaded)              | 300                            |
| Circuits (maximum)             | 300                            |
| Circuits Detail                | 300                            |
| Color - Resin                  | Black                          |
| Durability (mating cycles max) | 100                            |
| First Mate / Last Break        | No                             |
| Flammability                   | 94V-0                          |
| Glow-Wire Compliant            | No                             |
| Guide to Mating Part           | Yes                            |
| Keying to Mating Part          | None                           |
| Lock to Mating Part            | Yes                            |
| Material - Metal               | Copper Alloy                   |
| Material - Plating Mating      | Gold                           |
| Material - Plating Termination | Tin                            |
| Material - Resin               | High Temperature Thermoplastic |
| Number of Rows                 | 10                             |
| Orientation                    | Vertical                       |
| PCB Locator                    | Yes                            |
| PCB Retention                  | Yes                            |
| PCB Thickness Recommended (in) | 0.062 In                       |
| PCB Thickness Recommended (mm) | 1.60 mm                        |
| Packaging Type                 | Tray                           |
| Pitch - Mating Interface (in)  | 0.050 In                       |
| Pitch - Mating Interface (mm)  | 1.27 mm                        |
| Pitch - Term. Interface (in)   | 0.050 In                       |
| Pitch - Term. Interface (mm)   | 1.27 mm                        |
| Plating min: Mating (µin)      | 30                             |
| Plating min: Mating (µm)       | 0.75                           |
| Plating min: Termination (µin) | 100                            |
| Plating min: Termination (µm)  | 2.5                            |
| Polarized to Mating Part       | Yes                            |

**EU RoHS**

**ELV and RoHS Compliant**  
**REACH SVHC**  
 Not Reviewed  
**Halogen-Free Status**  
 Not Reviewed

**China RoHS**



**Need more information on product environmental compliance?**

Email [productcompliance@molex.com](mailto:productcompliance@molex.com)  
 For a multiple part number RoHS Certificate of Compliance, [click here](#)

Please visit the [Contact Us](#) section for any non-product compliance questions.

**Search Parts in this Series**  
[45970Series](#)

**Mates With**  
[45971 SEARAY\\* Receptacle](#)

|                                |                    |
|--------------------------------|--------------------|
| Polarized to PCB               | Yes                |
| Robotic Placement              | Pick and Place Cap |
| Shrouded                       | No                 |
| Stackable                      | No                 |
| Surface Mount Compatible (SMC) | Yes                |
| Temperature Range - Operating  | -55°C to +125°C    |
| Termination Interface: Style   | Surface Mount      |

### **Electrical**

|                               |         |
|-------------------------------|---------|
| Current - Maximum per Contact | 2.7A    |
| Voltage - Maximum             | 240V AC |

### **Solder Process Data**

|  |                           |
|--|---------------------------|
| Duration at Max. Process Temperature (seconds) | 3                         |
| Lead-free Process Capability                   | Reflow Capable (SMT only) |
| Max. Cycles at Max. Process Temperature        | 1                         |
| Process Temperature max. C                     | 260                       |

### **Material Info**

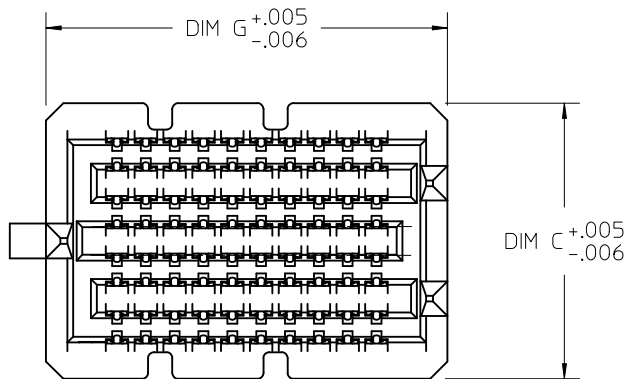
#### **Reference - Drawing Numbers**

|                           |  |
|---------------------------|--|
| Application Specification | AS-45970-001, AS-45970-002, AS-45970-990 |
| Packaging Specification   | PK-45970-001                             |
| Product Specification     | PS-45970-001, PS-45970-002               |
| Sales Drawing             | SD-45970-001                             |
| Test Summary              | TS-45970-001                             |

\*SEARAY is a trademark of Samtec, Inc.

This document was generated on 06/08/2010

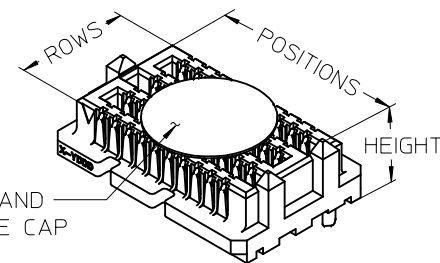
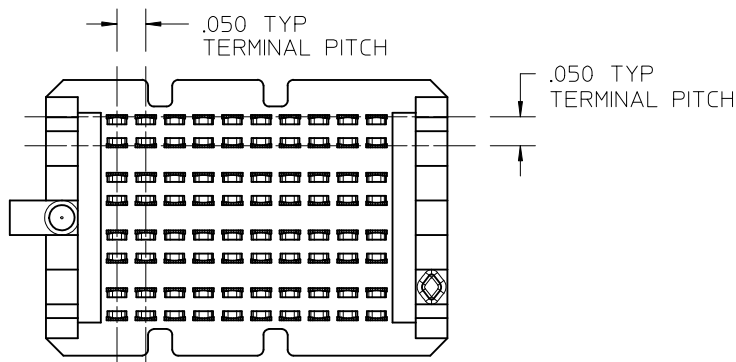
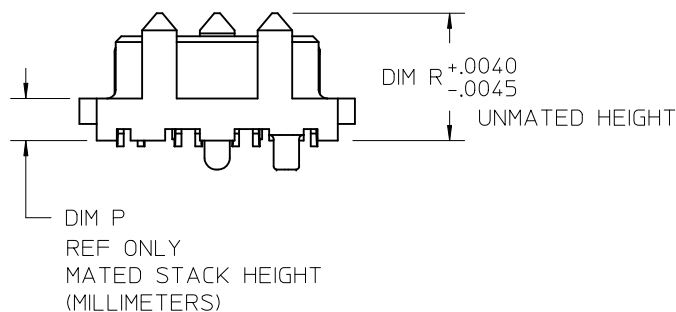
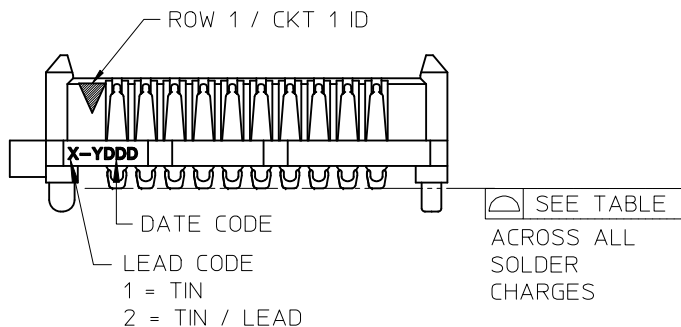
**PLEASE CHECK [WWW.MOLEX.COM](http://WWW.MOLEX.COM) FOR LATEST PART INFORMATION**



NOTES:

- MATERIAL: HOUSING: LCP, UL94V-0, BLACK  
CONTACTS: COPPER ALLOY  
SOLDER CHARGE: SEE CHARTS
- FINISH: ALL OPTIONS - SELECT GOLD IN CONTACT AREA: 30 MI MIN  
OPTIONS 2.0 & 2.5: SELECT GOLD FLASH IN TAIL, 7 MI MIN  
OPTIONS 3.0 THRU 7.0: SELECT TIN IN TAIL, 100 MI MIN  
ALL OPTIONS - OVER NICKEL
- PRODUCT SPECIFICATION: PS-45970-001
- PACKAGING SPECIFICATION: SEE CHART
- MATES WITH SEARAY RECEPTACLE ASSY 45971
- APPLICATION SPECIFICATION; AS-45970-001
- COSMETIC SPECIFICATION: PS-45499-002 CLASS B
- PART STATUS: CONTACT MOLEX

| POSITION |      |
|----------|------|
| 19       | .006 |
| 10       | .006 |
| 20       | .006 |
| 30       | .006 |
| 40       | .006 |
| 50       | .006 |
| 15       | .006 |
| 25       | .006 |
| 35       | .009 |
| 45       | .009 |



HOUSING OPTIONS  
SEE CHARTS

|   |             |
|---|-------------|
| UPDATED NOTE 2<br>EC NO: UCP2010-2270<br>DRWN: TGREGORI 2010/03/05<br>CH'KD: JCOMERCI 2010/03/05<br>APPR: JCOMERCI 2010/03/05 | DESCRIPTION |
|   | REV         |
|   | M           |
|   |             |
|   |             |

GENERAL TOLERANCES  
(UNLESS SPECIFIED)

|                 | mm     | INCH    |
|-----------------|--------|---------|
| 4 PLACES        | ± .005 | ± .0002 |
| 3 PLACES        | ± .005 | ± .010  |
| 2 PLACES        | ± .005 | ± .015  |
| 1 PLACE         | ± .005 | ± .020  |
| ANGULAR ± .005° |        |         |

DRAFT WHERE APPLICABLE  
MUST REMAIN  
WITHIN DIMENSIONS

DIMENSION STYLE  
INCH ONLY

|              |            |
|--------------|------------|
| DRAWN BY     | DATE       |
| TGREGORI     | 2005/01/27 |
| CHECKED BY   | DATE       |
| JCOMERCI     |            |
| APPROVED BY  | DATE       |
| JCOMERCI     | 2010/03/05 |
| MATERIAL NO. |            |
| SEE CHART    |            |

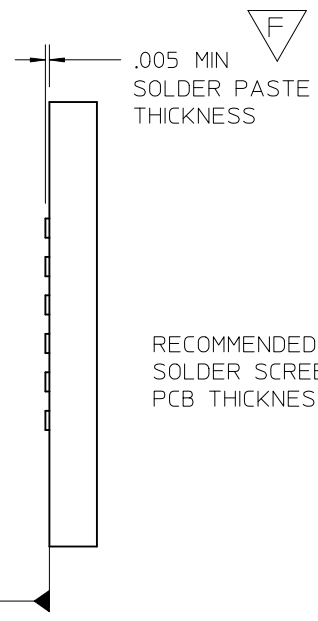
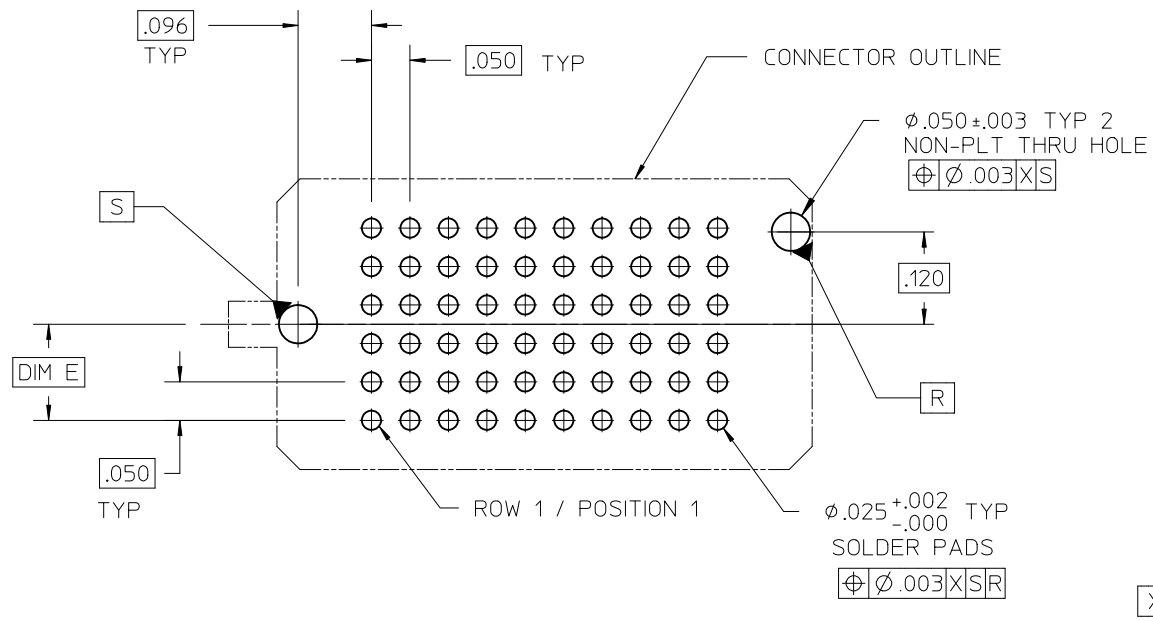
SCALE  
3:1

DESIGN UNITS  
INCH

THIRD ANGLE  
PROJECTION

|                    |              |   |
|--------------------|--------------|---|
| TITLE              |              | SEARAY<br>PLUG ASSEMBLY<br>.050 CENTERS |
| MOLEX INCORPORATED |              |   |
| DOCUMENT NO.       | SD-45970-001 | SHEET NO.<br>1 OF 10                    |

THIS DRAWING CONTAINS INFORMATION THAT IS PROPRIETARY TO MOLEX  
INCORPORATED AND SHOULD NOT BE USED WITHOUT WRITTEN PERMISSION

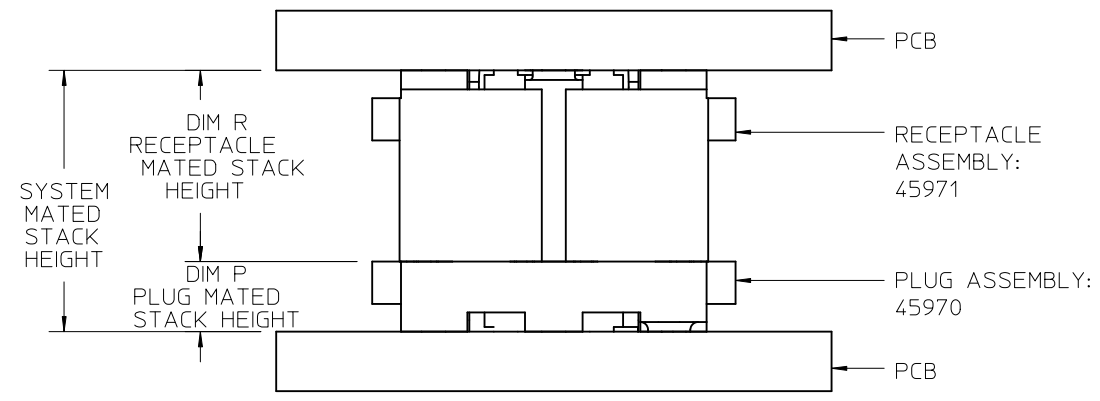


| NO OF ROWS | DIM C | DIM E |
|------------|-------|-------|
| 6          | .378  | .125  |
| 8          | .478  | .175  |
| 10         | .578  | .225  |
| 12         | .678  | .275  |

RECOMMENDED PCB LAYOUT: COMPONENT SIDE  
 SOLDER SCREEN APERTURE SIZE: .035  
 PCB THICKNESS: NA

| DIM P<br>PLUG STACK HEIGHT | DIM R<br>RECEPTACLE STACK HEIGHT |      |      |      |      |     |
|----------------------------|----------------------------------|------|------|------|------|-----|
|                            | MM                               | 5.0  | 6.0  | 6.5  | 7.5  | 8.0 |
| 2.0                        | 7.0                              | 8.0  | 8.5  | 9.5  | 10.0 |     |
| 3.0                        | 8.0                              | 9.0  | 9.5  | 10.5 | 11.0 |     |
| 3.5                        | 8.5                              | 9.5  | 10.0 | 11.0 | 11.5 |     |
| 2.5                        | 7.5                              | 8.5  | 9.0  | 10.0 | 10.5 |     |
| 4.5                        | 9.5                              | 10.5 | 11.0 | 12.0 | 12.5 |     |
| 5.0                        | 10.0                             | 11.0 | 11.5 | 12.5 | 13.0 |     |
| 7.0                        | 12.0                             | 13.0 | 13.5 | 14.5 | 15.0 |     |

MATED STACK HEIGHTS  
(MILLIMETERS) REF



STACK HEIGHTS GIVEN IN METRIC FOR REF ONLY

|  |                    |                                       |        |                              |   |                    |  |                        |  |
|--|--------------------|---------------------------------------|--------|------------------------------|---|--------------------|--|------------------------|--|
| SEE SHEET 1<br>EC NO: UCP2010-2270<br>DRWN: TGREGORI 2010/03/05<br>CH'KD: JCOMERCI 2010/03/05<br>APPR: JCOMERCI 2010/03/05 | DESCRIPTION<br>REV | GENERAL TOLERANCES (UNLESS SPECIFIED) |        | DIMENSION STYLE<br>INCH ONLY |   | SCALE<br>4:1       | DESIGN UNITS<br>INCH                             | THIRD ANGLE PROJECTION |  |
|  |                    |                                       | mm     | INCH                         | DRAWN BY<br>TGREGORI  | DATE<br>2005/01/27 | TITLE<br>SEARAY<br>PLUG ASSEMBLY<br>.050 CENTERS |                        |  |
|  |                    | 4 PLACES                              | ± .005 | ± .005                       | CHECKED BY<br>JCOMERCI  | DATE               |  |                        |  |
|  |                    | 3 PLACES                              | ± .005 | ± .010                       | APPROVED BY<br>JCOMERCI   | DATE<br>2010/03/05 | DOCUMENT NO.<br>SD-45970-001                     |                        |  |
| DRAFT WHERE APPLICABLE<br>MUST REMAIN<br>WITHIN DIMENSIONS   |                    | ANGULAR ± .005°                       |        | SIZE<br>A                    | THIS DRAWING CONTAINS INFORMATION THAT IS PROPRIETARY TO MOLEX INCORPORATED AND SHOULD NOT BE USED WITHOUT WRITTEN PERMISSION |                    |  | SHEET NO.<br>2 OF 10   |  |

| 6                           |          | 5      |             | 4           |             | 3           |             | 2           |             | 1           |             |             |             |             |             |
|-----------------------------|----------|--------|-------------|-------------|-------------|-------------|-------------|-------------|-------------|-------------|-------------|-------------|-------------|-------------|-------------|
| DIM P:                      |          | 2.0 MM |             | 3.0 MM      |             | 3.5 MM      |             | 2.5 MM      |             | 4.5 MM      |             | 5.0 MM      |             | 7.0 MM      |             |
| DIM R:                      |          | .221   |             | .260        |             | .280        |             | .241        |             | .319        |             | .339        |             | .418        |             |
| D<br>TRAY PACK PK-45971-001 | POSITION | DIM G  | MATERIAL NO | MATERIAL NO | MATERIAL NO | MATERIAL NO | MATERIAL NO | MATERIAL NO | MATERIAL NO | MATERIAL NO | MATERIAL NO | MATERIAL NO | MATERIAL NO | MATERIAL NO | MATERIAL NO |
|                             | 19       | 1.146  | 45970-0161  | 45970-0261  | 45970-0361  | 45970-0461  | 45970-0561  | 45970-0661  | 45970-0761  | 45970-0861  | 45970-0961  | 45970-1061  | 45970-1161  | 45970-1261  | 45970-1361  |
|                             | 10       | 0.696  | 45970-1161  | 45970-1261  | 45970-1361  | 45970-1461  | 45970-1561  | 45970-1661  | 45970-1761  | 45970-1861  | 45970-1961  | 45970-2061  | 45970-2161  | 45970-2261  | 45970-2361  |
|                             | 20       | 1.196  | 45970-2161  | 45970-2261  | 45970-2361  | 45970-2461  | 45970-2561  | 45970-2661  | 45970-2761  | 45970-2861  | 45970-2961  | 45970-3061  | 45970-3161  | 45970-3261  | 45970-3361  |
|                             | 30       | 1.696  | 45970-3161  | 45970-3261  | 45970-3361  | 45970-3461  | 45970-3561  | 45970-3661  | 45970-3761  | 45970-3861  | 45970-3961  | 45970-4061  | 45970-4161  | 45970-4261  | 45970-4361  |
|                             | 40       | 2.196  | 45970-4161  | 45970-4261  | 45970-4361  | 45970-4461  | 45970-4561  | 45970-4661  | 45970-4761  | 45970-4861  | 45970-4961  | 45970-5061  | 45970-5161  | 45970-5261  | 45970-5361  |
|                             | 50       | 2.696  | 45970-5161  | 45970-5261  | 45970-5361  | 45970-5461  | 45970-5561  | 45970-5661  | 45970-5761  | 45970-5861  | 45970-5961  | 45970-6061  | 45970-6161  | 45970-6261  | 45970-6361  |
|                             | 15       | 0.946  | 45970-6161  | 45970-6261  | 45970-6361  | 45970-6461  | 45970-6561  | 45970-6661  | 45970-6761  | 45970-6861  | 45970-6961  | 45970-7061  | 45970-7161  | 45970-7261  | 45970-7361  |
|                             | 25       | 1.446  | 45970-7161  | 45970-7261  | 45970-7361  | 45970-7461  | 45970-7561  | 45970-7661  | 45970-7761  | 45970-7861  | 45970-7961  | 45970-8061  | 45970-8161  | 45970-8261  | 45970-8361  |
|                             | 35       | 1.946  | 45970-8161  | 45970-8261  | 45970-8361  | 45970-8461  | 45970-8561  | 45970-8661  | 45970-8761  | 45970-8861  | 45970-8961  | 45970-9061  | 45970-9161  | 45970-9261  | 45970-9361  |
|                             | 45       | 2.446  | 45970-9161  | 45970-9261  | 45970-9361  | 45970-9461  | 45970-9561  | 45970-9661  | 45970-9761  | 45970-9861  | 45970-9961  | 45970-0061  | 45970-0161  | 45970-0261  | 45970-0361  |

| 6                                    |          | 5      |             | 4           |             | 3           |             | 2           |             | 1           |             |             |             |             |             |
|--------------------------------------|----------|--------|-------------|-------------|-------------|-------------|-------------|-------------|-------------|-------------|-------------|-------------|-------------|-------------|-------------|
| DIM P:                               |          | 2.0 MM |             | 3.0 MM      |             | 3.5 MM      |             | 2.5 MM      |             | 4.5 MM      |             | 5.0 MM      |             | 7.0 MM      |             |
| DIM R:                               |          | .221   |             | .260        |             | .280        |             | .241        |             | .319        |             | .339        |             | .418        |             |
| C<br>TAPE AND REEL PACK PK-45971-002 | POSITION | DIM G  | MATERIAL NO | MATERIAL NO | MATERIAL NO | MATERIAL NO | MATERIAL NO | MATERIAL NO | MATERIAL NO | MATERIAL NO | MATERIAL NO | MATERIAL NO | MATERIAL NO | MATERIAL NO | MATERIAL NO |
|                                      | 19       | 1.146  | 45970-0165  | 45970-0265  | 45970-0365  | 45970-0465  | 45970-0565  | 45970-0665  | 45970-0765  | 45970-0865  | 45970-0965  | 45970-1065  | 45970-1165  | 45970-1265  | 45970-1365  |
|                                      | 10       | 0.696  | 45970-1165  | 45970-1265  | 45970-1365  | 45970-1465  | 45970-1565  | 45970-1665  | 45970-1765  | 45970-1865  | 45970-1965  | 45970-2065  | 45970-2165  | 45970-2265  | 45970-2365  |
|                                      | 20       | 1.196  | 45970-2165  | 45970-2265  | 45970-2365  | 45970-2465  | 45970-2565  | 45970-2665  | 45970-2765  | 45970-2865  | 45970-2965  | 45970-3065  | 45970-3165  | 45970-3265  | 45970-3365  |
|                                      | 30       | 1.696  | 45970-3165  | 45970-3265  | 45970-3365  | 45970-3465  | 45970-3565  | 45970-3665  | 45970-3765  | 45970-3865  | 45970-3965  | 45970-4065  | 45970-4165  | 45970-4265  | 45970-4365  |
|                                      | 40       | 2.196  | 45970-4165  | 45970-4265  | 45970-4365  | 45970-4465  | 45970-4565  | 45970-4665  | 45970-4765  | 45970-4865  | 45970-4965  | 45970-5065  | 45970-5165  | 45970-5265  | 45970-5365  |
|                                      | 50       | 2.696  | 45970-5165  | 45970-5265  | 45970-5365  | 45970-5465  | 45970-5565  | 45970-5665  | 45970-5765  | 45970-5865  | 45970-5965  | 45970-6065  | 45970-6165  | 45970-6265  | 45970-6365  |
|                                      | 15       | 0.946  | 45970-6165  | 45970-6265  | 45970-6365  | 45970-6465  | 45970-6565  | 45970-6665  | 45970-6765  | 45970-6865  | 45970-6965  | 45970-7065  | 45970-7165  | 45970-7265  | 45970-7365  |
|                                      | 25       | 1.446  | 45970-7165  | 45970-7265  | 45970-7365  | 45970-7465  | 45970-7565  | 45970-7665  | 45970-7765  | 45970-7865  | 45970-7965  | 45970-8065  | 45970-8165  | 45970-8265  | 45970-8365  |
|                                      | 35       | 1.946  | 45970-8165  | 45970-8265  | 45970-8365  | 45970-8465  | 45970-8565  | 45970-8665  | 45970-8765  | 45970-8865  | 45970-8965  | 45970-9065  | 45970-9165  | 45970-9265  | 45970-9365  |
|                                      | 45       | 2.446  | 45970-9165  | 45970-9265  | 45970-9365  | 45970-9465  | 45970-9565  | 45970-9665  | 45970-9765  | 45970-9865  | 45970-9965  | 45970-0065  | 45970-0165  | 45970-0265  | 45970-0365  |

NOTES:  
 1. THIS SHEET CONTAINS THE FOLLOWING OPTIONS:  
 NO OF ROWS: 6  
 SOLDER CHARGE: TIN  
 PACKAGING: TRAYS AND TAPE AND REEL

|   |                    |                                       |  |                                     |                         |   |   |                        |                                     |                             |
|---|--------------------|---------------------------------------|--|-------------------------------------|-------------------------|---|---|------------------------|-------------------------------------|-----------------------------|
| SEE SHEET 1<br>EC NO: UCP2010-2270<br>DRWN: TGREGORI 2010/03/05<br>CHKD: JCOMERCI 2010/03/05<br>APPR: JCOMERCI 2010/03/05 | DESCRIPTION<br>REV | GENERAL TOLERANCES (UNLESS SPECIFIED) |  | DIMENSION STYLE<br><b>INCH ONLY</b> |                         | SCALE<br><b>4:1</b>   | DESIGN UNITS<br><b>INCH</b>   | THIRD ANGLE PROJECTION |                                     |                             |
|   |                    |                                       | mm   | INCH                                | DRAWN BY<br>TGREGORI    | DATE<br>2005/01/27  | TITLE<br><b>SEARAY<br/>         PLUG ASSEMBLY<br/>         .050 CENTERS</b> |                        |                                     |                             |
|   |                    | 4 PLACES                              | ± ---  | ± ---                               | CHECKED BY<br>JCOMERCI  | DATE  |   |                        |                                     |                             |
|   |                    | 3 PLACES                              | ± ---  | ± .010                              | APPROVED BY<br>JCOMERCI | DATE<br>2010/03/05  |   |                        |                                     |                             |
|   |                    | 2 PLACES                              | ± ---  | ± .015                              | ANGULAR ± ---°          |   | <b>MOLEX INCORPORATED</b>   |                        | DOCUMENT NO.<br><b>SD-45970-001</b> | SHEET NO.<br><b>3 OF 10</b> |
| 1 PLACE   | ± ---              | ± ---                                 | DRAFT WHERE APPLICABLE<br>MUST REMAIN<br>WITHIN DIMENSIONS |                                     | SIZE<br><b>A</b>        | THIS DRAWING CONTAINS INFORMATION THAT IS PROPRIETARY TO MOLEX INCORPORATED AND SHOULD NOT BE USED WITHOUT WRITTEN PERMISSION |   |                        |                                     |                             |

|    |                        |            |            |             |             |             |             |             |             |             |  |   |  |  |
|----|------------------------|------------|------------|-------------|-------------|-------------|-------------|-------------|-------------|-------------|--|---|--|--|
| D  | TRAY PACK PK-45971-001 | 6          |            | 5           |             | 4           |             | 3           |             | 2           |  | 1 |  |  |
|    |                        | DIM P:     |            | 2.0 MM      | 3.0 MM      | 3.5 MM      | 2.5 MM      | 4.5 MM      | 5.0 MM      | 7.0 MM      |  |   |  |  |
|    |                        | DIM R:     |            | .221        | .260        | .280        | .241        | 3.19        | .339        | .418        |  |   |  |  |
|    |                        | POSITION   | DIM G      | MATERIAL NO | MATERIAL NO | MATERIAL NO | MATERIAL NO | MATERIAL NO | MATERIAL NO | MATERIAL NO |  |   |  |  |
|    |                        | 19         | 1.146      | 45970-0163  | 45970-0263  | 45970-0363  | 45970-0463  | 45970-0563  | 45970-0663  | 45970-0763  |  |   |  |  |
|    |                        | 10         | 0.696      | 45970-1163  | 45970-1263  | 45970-1363  | 45970-1463  | 45970-1563  | 45970-1663  | 45970-1763  |  |   |  |  |
|    |                        | 20         | 1.196      | 45970-2163  | 45970-2263  | 45970-2363  | 45970-2463  | 45970-2563  | 45970-2663  | 45970-2763  |  |   |  |  |
|    |                        | 30         | 1.696      | 45970-3163  | 45970-3263  | 45970-3363  | 45970-3463  | 45970-3563  | 45970-3663  | 45970-3763  |  |   |  |  |
|    |                        | 40         | 2.196      | 45970-4163  | 45970-4263  | 45970-4363  | 45970-4463  | 45970-4563  | 45970-4663  | 45970-4763  |  |   |  |  |
|    |                        | 50         | 2.696      | 45970-5163  | 45970-5263  | 45970-5363  | 45970-5463  | 45970-5563  | 45970-5663  | 45970-5763  |  |   |  |  |
|    |                        | 15         | 0.946      | 45970-6163  | 45970-6263  | 45970-6363  | 45970-6463  | 45970-6563  | 45970-6663  | 45970-6763  |  |   |  |  |
|    |                        | 25         | 1.446      | 45970-7163  | 45970-7263  | 45970-7363  | 45970-7463  | 45970-7563  | 45970-7663  | 45970-7763  |  |   |  |  |
|    |                        | 35         | 1.946      | 45970-8163  | 45970-8263  | 45970-8363  | 45970-8463  | 45970-8563  | 45970-8663  | 45970-8763  |  |   |  |  |
| 45 | 2.446                  | 45970-9163 | 45970-9263 | 45970-9363  | 45970-9463  | 45970-9563  | 45970-9663  | 45970-9763  |             |             |  |   |  |  |

|    |                                 |            |            |             |             |             |             |             |             |             |  |   |  |  |
|----|---------------------------------|------------|------------|-------------|-------------|-------------|-------------|-------------|-------------|-------------|--|---|--|--|
| C  | TAPE AND REEL PACK PK-45971-002 | 6          |            | 5           |             | 4           |             | 3           |             | 2           |  | 1 |  |  |
|    |                                 | DIM P:     |            | 2.0 MM      | 3.0 MM      | 3.5 MM      | 2.5 MM      | 4.5 MM      | 5.0 MM      | 7.0 MM      |  |   |  |  |
|    |                                 | DIM R:     |            | .221        | .260        | .280        | .241        | .319        | .339        | .418        |  |   |  |  |
|    |                                 | POSITION   | DIM G      | MATERIAL NO | MATERIAL NO | MATERIAL NO | MATERIAL NO | MATERIAL NO | MATERIAL NO | MATERIAL NO |  |   |  |  |
|    |                                 | 19         | 1.146      | 45970-0167  | 45970-0267  | 45970-0367  | 45970-0467  | 45970-0567  | 45970-0667  | 45970-0767  |  |   |  |  |
|    |                                 | 10         | 0.696      | 45970-1167  | 45970-1267  | 45970-1367  | 45970-1467  | 45970-1567  | 45970-1667  | 45970-1767  |  |   |  |  |
|    |                                 | 20         | 1.196      | 45970-2167  | 45970-2267  | 45970-2367  | 45970-2467  | 45970-2567  | 45970-2667  | 45970-2767  |  |   |  |  |
|    |                                 | 30         | 1.696      | 45970-3167  | 45970-3267  | 45970-3367  | 45970-3467  | 45970-3567  | 45970-3667  | 45970-3767  |  |   |  |  |
|    |                                 | 40         | 2.196      | 45970-4167  | 45970-4267  | 45970-4367  | 45970-4467  | 45970-4567  | 45970-4667  | 45970-4767  |  |   |  |  |
|    |                                 | 50         | 2.696      | 45970-5167  | 45970-5267  | 45970-5367  | 45970-5467  | 45970-5567  | 45970-5667  | 45970-5767  |  |   |  |  |
|    |                                 | 15         | 0.946      | 45970-6167  | 45970-6267  | 45970-6367  | 45970-6467  | 45970-6567  | 45970-6667  | 45970-6767  |  |   |  |  |
|    |                                 | 25         | 1.446      | 45970-7167  | 45970-7267  | 45970-7367  | 45970-7467  | 45970-7567  | 45970-7667  | 45970-7767  |  |   |  |  |
|    |                                 | 35         | 1.946      | 45970-8167  | 45970-8267  | 45970-8367  | 45970-8467  | 45970-8567  | 45970-8667  | 45970-8767  |  |   |  |  |
| 45 | 2.446                           | 45970-9167 | 45970-9267 | 45970-9367  | 45970-9467  | 45970-9567  | 45970-9667  | 45970-9767  |             |             |  |   |  |  |

NOTES:  
 1. THIS SHEET CONTAINS THE FOLLOWING OPTIONS  
 ROWS: 6  
 SOLDER CHARGE: TIN / LEAD  
 PACKAGING: TRAYS AND TAPE AND REEL

|         |  |             |  |       |  |                         |                     |   |                        |                      |  |
|---------|--|-------------|--|-------|--|-------------------------|---------------------|---|------------------------|----------------------|--|
| A       | SEE SHEET 1<br>EC NO: UCP2010-2270<br>DRWN: TREGORI 2010/03/05<br>CHKD: JCOMERCI 2010/03/05<br>APPR: JCOMERCI 2010/03/05 | DESCRIPTION | GENERAL TOLERANCES (UNLESS SPECIFIED)                      |       | DIMENSION STYLE<br><b>INCH ONLY</b>  |                         | SCALE<br><b>4:1</b> | DESIGN UNITS<br><b>INCH</b>                               | THIRD ANGLE PROJECTION |                      |  |
|         |  |             |  | mm    | INCH   | DRAWN BY<br>TREGORI     | DATE<br>2005/01/27  | TITLE<br><b>SEARAY<br/>PLUG ASSEMBLY<br/>.050 CENTERS</b> |                        |                      |  |
|         |  |             | 4 PLACES   | ± --- | ± ---  | CHECKED BY<br>JCOMERCI  | DATE                |   |                        |                      |  |
|         |  |             | 3 PLACES   | ± --- | ± .010   | APPROVED BY<br>JCOMERCI |                     |   |                        |                      |  |
|         |  |             | 2 PLACES   | ± --- | ± .015   | ANGULAR ± ---°          |                     | DOCUMENT NO.<br><b>SD-45970-001</b>                       |                        | SHEET NO.<br>4 OF 10 |  |
| 1 PLACE | ± ---  | ± ---       | DRAFT WHERE APPLICABLE<br>MUST REMAIN<br>WITHIN DIMENSIONS |       | THIS DRAWING CONTAINS INFORMATION THAT IS PROPRIETARY TO MOLEX<br>INCORPORATED AND SHOULD NOT BE USED WITHOUT WRITTEN PERMISSION |                         |                     |   |                        |                      |  |

| 6        |       | 5           |             | 4           |             | 3           |             | 2           |             | 1           |             |             |             |      |  |
|----------|-------|-------------|-------------|-------------|-------------|-------------|-------------|-------------|-------------|-------------|-------------|-------------|-------------|------|--|
| DIM P:   |       | 2.0 MM      |             | 3.0 MM      |             | 2.5 MM      |             | 4.5 MM      |             | 5.0 MM      |             | 7.0 MM      |             |      |  |
| DIM R:   |       | .221        |             | .260        |             | .280        |             | .241        |             | .319        |             | .339        |             | .418 |  |
| POSITION | DIM G | MATERIAL NO | MATERIAL NO | MATERIAL NO | MATERIAL NO | MATERIAL NO | MATERIAL NO | MATERIAL NO | MATERIAL NO | MATERIAL NO | MATERIAL NO | MATERIAL NO | MATERIAL NO |      |  |
| 19       | 1.146 | 45970-0181  | 45970-0281  | 45970-0381  | 45970-0481  | 45970-0581  | 45970-0681  | 45970-0781  | 45970-0881  | 45970-0981  | 45970-1081  | 45970-1181  | 45970-1281  |      |  |
| 10       | 0.696 | 45970-1181  | 45970-1281  | 45970-1381  | 45970-1481  | 45970-1581  | 45970-1681  | 45970-1781  | 45970-1881  | 45970-1981  | 45970-2081  | 45970-2181  | 45970-2281  |      |  |
| 20       | 1.196 | 45970-2181  | 45970-2281  | 45970-2381  | 45970-2481  | 45970-2581  | 45970-2681  | 45970-2781  | 45970-2881  | 45970-2981  | 45970-3081  | 45970-3181  | 45970-3281  |      |  |
| 30       | 1.696 | 45970-3181  | 45970-3281  | 45970-3381  | 45970-3481  | 45970-3581  | 45970-3681  | 45970-3781  | 45970-3881  | 45970-3981  | 45970-4081  | 45970-4181  | 45970-4281  |      |  |
| 40       | 2.196 | 45970-4181  | 45970-4281  | 45970-4381  | 45970-4481  | 45970-4581  | 45970-4681  | 45970-4781  | 45970-4881  | 45970-4981  | 45970-5081  | 45970-5181  | 45970-5281  |      |  |
| 50       | 2.696 | 45970-5181  | 45970-5281  | 45970-5381  | 45970-5481  | 45970-5581  | 45970-5681  | 45970-5781  | 45970-5881  | 45970-5981  | 45970-6081  | 45970-6181  | 45970-6281  |      |  |
| 15       | 0.946 | 45970-6181  | 45970-6281  | 45970-6381  | 45970-6481  | 45970-6581  | 45970-6681  | 45970-6781  | 45970-6881  | 45970-6981  | 45970-7081  | 45970-7181  | 45970-7281  |      |  |
| 25       | 1.446 | 45970-7181  | 45970-7281  | 45970-7381  | 45970-7481  | 45970-7581  | 45970-7681  | 45970-7781  | 45970-7881  | 45970-7981  | 45970-8081  | 45970-8181  | 45970-8281  |      |  |
| 35       | 1.946 | 45970-8181  | 45970-8281  | 45970-8381  | 45970-8481  | 45970-8581  | 45970-8681  | 45970-8781  | 45970-8881  | 45970-8981  | 45970-9081  | 45970-9181  | 45970-9281  |      |  |
| 45       | 2.446 | 45970-9181  | 45970-9281  | 45970-9381  | 45970-9481  | 45970-9581  | 45970-9681  | 45970-9781  | 45970-9881  | 45970-9981  | 45970-10081 | 45970-10181 | 45970-10281 |      |  |

| 6        |       | 5           |             | 4           |             | 3           |             | 2           |             | 1           |             |             |             |      |  |
|----------|-------|-------------|-------------|-------------|-------------|-------------|-------------|-------------|-------------|-------------|-------------|-------------|-------------|------|--|
| DIM P:   |       | 2.0 MM      |             | 3.0 MM      |             | 2.5 MM      |             | 4.5 MM      |             | 5.0 MM      |             | 7.0 MM      |             |      |  |
| DIM R:   |       | .221        |             | .260        |             | .280        |             | .241        |             | .319        |             | .339        |             | .418 |  |
| POSITION | DIM G | MATERIAL NO | MATERIAL NO | MATERIAL NO | MATERIAL NO | MATERIAL NO | MATERIAL NO | MATERIAL NO | MATERIAL NO | MATERIAL NO | MATERIAL NO | MATERIAL NO | MATERIAL NO |      |  |
| 19       | 1.146 | 45970-0185  | 45970-0285  | 45970-0385  | 45970-0485  | 45970-0585  | 45970-0685  | 45970-0785  | 45970-0885  | 45970-0985  | 45970-1085  | 45970-1185  | 45970-1285  |      |  |
| 10       | 0.696 | 45970-1185  | 45970-1285  | 45970-1385  | 45970-1485  | 45970-1585  | 45970-1685  | 45970-1785  | 45970-1885  | 45970-1985  | 45970-2085  | 45970-2185  | 45970-2285  |      |  |
| 20       | 1.196 | 45970-2185  | 45970-2285  | 45970-2385  | 45970-2485  | 45970-2585  | 45970-2685  | 45970-2785  | 45970-2885  | 45970-2985  | 45970-3085  | 45970-3185  | 45970-3285  |      |  |
| 30       | 1.696 | 45970-3185  | 45970-3285  | 45970-3385  | 45970-3485  | 45970-3585  | 45970-3685  | 45970-3785  | 45970-3885  | 45970-3985  | 45970-4085  | 45970-4185  | 45970-4285  |      |  |
| 40       | 2.196 | 45970-4185  | 45970-4285  | 45970-4385  | 45970-4485  | 45970-4585  | 45970-4685  | 45970-4785  | 45970-4885  | 45970-4985  | 45970-5085  | 45970-5185  | 45970-5285  |      |  |
| 50       | 2.696 | 45970-5185  | 45970-5285  | 45970-5385  | 45970-5485  | 45970-5585  | 45970-5685  | 45970-5785  | 45970-5885  | 45970-5985  | 45970-6085  | 45970-6185  | 45970-6285  |      |  |
| 15       | 0.946 | 45970-6185  | 45970-6285  | 45970-6385  | 45970-6485  | 45970-6585  | 45970-6685  | 45970-6785  | 45970-6885  | 45970-6985  | 45970-7085  | 45970-7185  | 45970-7285  |      |  |
| 25       | 1.446 | 45970-7185  | 45970-7285  | 45970-7385  | 45970-7485  | 45970-7585  | 45970-7685  | 45970-7785  | 45970-7885  | 45970-7985  | 45970-8085  | 45970-8185  | 45970-8285  |      |  |
| 35       | 1.946 | 45970-8185  | 45970-8285  | 45970-8385  | 45970-8485  | 45970-8585  | 45970-8685  | 45970-8785  | 45970-8885  | 45970-8985  | 45970-9085  | 45970-9185  | 45970-9285  |      |  |
| 45       | 2.446 | 45970-9185  | 45970-9285  | 45970-9385  | 45970-9485  | 45970-9585  | 45970-9685  | 45970-9785  | 45970-9885  | 45970-9985  | 45970-10085 | 45970-10185 | 45970-10285 |      |  |

NOTES:  
 1. THIS SHEET CONTAINS THE FOLLOWING OPTIONS  
 ROWS: 8  
 SOLDER CHARGE: TIN  
 PACKAGING: TRAYS AND TAPE AND REEL

|   |                    |                                       |             |  |              |              |  |                        |  |  |
|---|--------------------|---------------------------------------|-------------|--|--------------|--------------|--|------------------------|--|--|
| SEE SHEET 1<br>EC NO: UCP2010-2270<br>DRWN: TGREGORI 2010/03/05<br>CHKD: JCOMERCI 2010/03/05<br>APPR: JCOMERCI 2010/03/05 | DESCRIPTION<br>REV | GENERAL TOLERANCES (UNLESS SPECIFIED) |             | DIMENSION STYLE<br>INCH ONLY   |              | SCALE<br>4:1 | DESIGN UNITS<br>INCH                             | THIRD ANGLE PROJECTION |  |  |
|   |                    |                                       | mm          | INCH   | DRAWN BY     | DATE         | TITLE<br>SEARAY<br>PLUG ASSEMBLY<br>.050 CENTERS |                        |  |  |
|   |                    | 4 PLACES                              | ± ---       | ± ---  | TGREGORI     | 2005/01/27   |  |                        |  |  |
|   |                    | 3 PLACES                              | ± ---       | ± .010   | CHECKED BY   | DATE         | MOLEX INCORPORATED                               |                        |  |  |
|   |                    | 2 PLACES                              | ± ---       | ± .015   | JCOMERCI     |              |  |                        |  |  |
| 1 PLACE   | ± ---              | ± ---                                 | APPROVED BY | DATE   | DOCUMENT NO. | SHEET NO.    |  |                        |  |  |
|   |                    | ANGULAR ± ---°                        | JCOMERCI    | 2010/03/05   | SD-45970-001 |              | 5 OF 10  |                        |  |  |
| DRAFT WHERE APPLICABLE<br>MUST REMAIN<br>WITHIN DIMENSIONS  |                    |                                       | SIZE<br>A   | THIS DRAWING CONTAINS INFORMATION THAT IS PROPRIETARY TO MOLEX<br>INCORPORATED AND SHOULD NOT BE USED WITHOUT WRITTEN PERMISSION |              |              |  |                        |  |  |

| 6        |       | 5           |             | 4           |             | 3           |             | 2           |             | 1           |             |             |             |             |             |
|----------|-------|-------------|-------------|-------------|-------------|-------------|-------------|-------------|-------------|-------------|-------------|-------------|-------------|-------------|-------------|
| DIM P:   |       | 2.0 MM      |             | 3.0 MM      |             | 3.5 MM      |             | 2.5 MM      |             | 4.5 MM      |             | 5.0 MM      |             | 7.0 MM      |             |
| DIM R:   |       | .221        |             | .260        |             | .280        |             | .241        |             | .319        |             | .339        |             | .418        |             |
| POSITION | DIM G | MATERIAL NO | MATERIAL NO | MATERIAL NO | MATERIAL NO | MATERIAL NO | MATERIAL NO | MATERIAL NO | MATERIAL NO | MATERIAL NO | MATERIAL NO | MATERIAL NO | MATERIAL NO | MATERIAL NO | MATERIAL NO |
| 19       | 1.146 | 45970-0183  | 45970-0283  | 45970-0383  | 45970-0483  | 45970-0583  | 45970-0683  | 45970-0783  | 45970-0883  | 45970-0983  | 45970-1083  | 45970-1183  | 45970-1283  | 45970-1383  | 45970-1483  |
| 10       | 0.696 | 45970-1183  | 45970-1283  | 45970-1383  | 45970-1483  | 45970-1583  | 45970-1683  | 45970-1783  | 45970-1883  | 45970-1983  | 45970-2083  | 45970-2183  | 45970-2283  | 45970-2383  | 45970-2483  |
| 20       | 1.196 | 45970-2183  | 45970-2283  | 45970-2383  | 45970-2483  | 45970-2583  | 45970-2683  | 45970-2783  | 45970-2883  | 45970-2983  | 45970-3083  | 45970-3183  | 45970-3283  | 45970-3383  | 45970-3483  |
| 30       | 1.696 | 45970-3183  | 45970-3283  | 45970-3383  | 45970-3483  | 45970-3583  | 45970-3683  | 45970-3783  | 45970-3883  | 45970-3983  | 45970-4083  | 45970-4183  | 45970-4283  | 45970-4383  | 45970-4483  |
| 40       | 2.196 | 45970-4183  | 45970-4283  | 45970-4383  | 45970-4483  | 45970-4583  | 45970-4683  | 45970-4783  | 45970-4883  | 45970-4983  | 45970-5083  | 45970-5183  | 45970-5283  | 45970-5383  | 45970-5483  |
| 50       | 2.696 | 45970-5183  | 45970-5283  | 45970-5383  | 45970-5483  | 45970-5583  | 45970-5683  | 45970-5783  | 45970-5883  | 45970-5983  | 45970-6083  | 45970-6183  | 45970-6283  | 45970-6383  | 45970-6483  |
| 15       | 0.446 | 45970-6183  | 45970-6283  | 45970-6383  | 45970-6483  | 45970-6583  | 45970-6683  | 45970-6783  | 45970-6883  | 45970-6983  | 45970-7083  | 45970-7183  | 45970-7283  | 45970-7383  | 45970-7483  |
| 25       | 0.946 | 45970-7183  | 45970-7283  | 45970-7383  | 45970-7483  | 45970-7583  | 45970-7683  | 45970-7783  | 45970-7883  | 45970-7983  | 45970-8083  | 45970-8183  | 45970-8283  | 45970-8383  | 45970-8483  |
| 35       | 1.446 | 45970-8183  | 45970-8283  | 45970-8383  | 45970-8483  | 45970-8583  | 45970-8683  | 45970-8783  | 45970-8883  | 45970-8983  | 45970-9083  | 45970-9183  | 45970-9283  | 45970-9383  | 45970-9483  |
| 45       | 1.946 | 45970-9183  | 45970-9283  | 45970-9383  | 45970-9483  | 45970-9583  | 45970-9683  | 45970-9783  | 45970-9883  | 45970-9983  | 45970-0083  | 45970-0183  | 45970-0283  | 45970-0383  | 45970-0483  |

| 6        |       | 5           |             | 4           |             | 3           |             | 2           |             | 1           |             |             |             |             |             |
|----------|-------|-------------|-------------|-------------|-------------|-------------|-------------|-------------|-------------|-------------|-------------|-------------|-------------|-------------|-------------|
| DIM P:   |       | 2.0 MM      |             | 3.0 MM      |             | 3.5 MM      |             | 2.5 MM      |             | 4.5 MM      |             | 5.0 MM      |             | 7.0 MM      |             |
| DIM R:   |       | .221        |             | .260        |             | .280        |             | .241        |             | .319        |             | .339        |             | .418        |             |
| POSITION | DIM G | MATERIAL NO | MATERIAL NO | MATERIAL NO | MATERIAL NO | MATERIAL NO | MATERIAL NO | MATERIAL NO | MATERIAL NO | MATERIAL NO | MATERIAL NO | MATERIAL NO | MATERIAL NO | MATERIAL NO | MATERIAL NO |
| 19       | 1.146 | 45970-0187  | 45970-0287  | 45970-0387  | 45970-0487  | 45970-0587  | 45970-0687  | 45970-0787  | 45970-0887  | 45970-0987  | 45970-1087  | 45970-1187  | 45970-1287  | 45970-1387  | 45970-1487  |
| 10       | 0.696 | 45970-1187  | 45970-1287  | 45970-1387  | 45970-1487  | 45970-1587  | 45970-1687  | 45970-1787  | 45970-1887  | 45970-1987  | 45970-2087  | 45970-2187  | 45970-2287  | 45970-2387  | 45970-2487  |
| 20       | 1.196 | 45970-2187  | 45970-2287  | 45970-2387  | 45970-2487  | 45970-2587  | 45970-2687  | 45970-2787  | 45970-2887  | 45970-2987  | 45970-3087  | 45970-3187  | 45970-3287  | 45970-3387  | 45970-3487  |
| 30       | 1.696 | 45970-3187  | 45970-3287  | 45970-3387  | 45970-3487  | 45970-3587  | 45970-3687  | 45970-3787  | 45970-3887  | 45970-3987  | 45970-4087  | 45970-4187  | 45970-4287  | 45970-4387  | 45970-4487  |
| 40       | 2.196 | 45970-4187  | 45970-4287  | 45970-4387  | 45970-4487  | 45970-4587  | 45970-4687  | 45970-4787  | 45970-4887  | 45970-4987  | 45970-5087  | 45970-5187  | 45970-5287  | 45970-5387  | 45970-5487  |
| 50       | 2.696 | 45970-5187  | 45970-5287  | 45970-5387  | 45970-5487  | 45970-5587  | 45970-5687  | 45970-5787  | 45970-5887  | 45970-5987  | 45970-6087  | 45970-6187  | 45970-6287  | 45970-6387  | 45970-6487  |
| 15       | 0.946 | 45970-6187  | 45970-6287  | 45970-6387  | 45970-6487  | 45970-6587  | 45970-6687  | 45970-6787  | 45970-6887  | 45970-6987  | 45970-7087  | 45970-7187  | 45970-7287  | 45970-7387  | 45970-7487  |
| 25       | 1.446 | 45970-7187  | 45970-7287  | 45970-7387  | 45970-7487  | 45970-7587  | 45970-7687  | 45970-7787  | 45970-7887  | 45970-7987  | 45970-8087  | 45970-8187  | 45970-8287  | 45970-8387  | 45970-8487  |
| 35       | 1.946 | 45970-8187  | 45970-8287  | 45970-8387  | 45970-8487  | 45970-8587  | 45970-8687  | 45970-8787  | 45970-8887  | 45970-8987  | 45970-9087  | 45970-9187  | 45970-9287  | 45970-9387  | 45970-9487  |
| 45       | 2.446 | 45970-9187  | 45970-9287  | 45970-9387  | 45970-9487  | 45970-9587  | 45970-9687  | 45970-9787  | 45970-9887  | 45970-9987  | 45970-0087  | 45970-0187  | 45970-0287  | 45970-0387  | 45970-0487  |

NOTES:  
 1. THIS SHEET CONTAINS THE FOLLOWING OPTIONS  
 ROWS: 8  
 SOLDER CHARGE: TIN / LEAD  
 PACKAGING: TRAYS AND TAPE AND REEL



|   |                    |                                       |  |                              |                         |                      |  |                           |  |  |
|---|--------------------|---------------------------------------|--|------------------------------|-------------------------|----------------------|--|---------------------------|--|--|
| SEE SHEET 1<br>EC NO: UCP2010-2270<br>DRWN: TGREGORI 2010/03/05<br>CH'KD: JCOMERCI 2010/03/05<br>APPR: JCOMERCI 2010/03/05    | DESCRIPTION<br>REV | GENERAL TOLERANCES (UNLESS SPECIFIED) |  | DIMENSION STYLE<br>INCH ONLY |                         | SCALE<br>4:1         | DESIGN UNITS<br>INCH                             | THIRD ANGLE<br>PROJECTION |  |  |
|   |                    | 4 PLACES                              | ± ---  | ± ---                        | DRAWN BY<br>TGREGORI    | DATE<br>2005/01/27   | TITLE<br>SEARAY<br>PLUG ASSEMBLY<br>.050 CENTERS |                           |  |  |
|   |                    | 3 PLACES                              | ± ---  | ± .010                       | CHECKED BY<br>JCOMERCI  | DATE                 |  |                           |  |  |
|   |                    | 2 PLACES                              | ± ---  | ± .015                       | APPROVED BY<br>JCOMERCI | DATE<br>2010/03/05   | DOCUMENT NO.<br>SD-45970-001                     |                           |  |  |
| 1 PLACE   | ± ---              | ± ---                                 | DRAFT WHERE APPLICABLE<br>MUST REMAIN<br>WITHIN DIMENSIONS |                              | SIZE<br>A               | SHEET NO.<br>6 OF 10 |  |                           |  |  |
| THIS DRAWING CONTAINS INFORMATION THAT IS PROPRIETARY TO MOLEX INCORPORATED AND SHOULD NOT BE USED WITHOUT WRITTEN PERMISSION |                    |                                       |  |                              |                         |                      |  |                           |  |  |



| 6        |       | 5           |             | 4           |             | 3           |             | 2           |             | 1           |             |             |             |             |             |
|----------|-------|-------------|-------------|-------------|-------------|-------------|-------------|-------------|-------------|-------------|-------------|-------------|-------------|-------------|-------------|
| DIM P:   |       | 2.0 MM      |             | 3.0 MM      |             | 3.5 MM      |             | 2.5 MM      |             | 4.5 MM      |             | 5.0 MM      |             | 7.0 MM      |             |
| DIM R:   |       | .221        |             | .260        |             | .280        |             | .241        |             | .319        |             | .339        |             | .418        |             |
| POSITION | DIM G | MATERIAL NO | MATERIAL NO | MATERIAL NO | MATERIAL NO | MATERIAL NO | MATERIAL NO | MATERIAL NO | MATERIAL NO | MATERIAL NO | MATERIAL NO | MATERIAL NO | MATERIAL NO | MATERIAL NO | MATERIAL NO |
| 19       | 1.146 | 45970-0111  | 45970-0211  | 45970-0311  | 45970-0411  | 45970-0511  | 45970-0611  | 45970-0711  | 45970-0811  | 45970-0911  | 45970-1011  | 45970-1111  | 45970-1211  | 45970-1311  | 45970-1411  |
| 10       | 0.696 | 45970-1111  | 45970-1211  | 45970-1311  | 45970-1411  | 45970-1511  | 45970-1611  | 45970-1711  | 45970-1811  | 45970-1911  | 45970-2011  | 45970-2111  | 45970-2211  | 45970-2311  | 45970-2411  |
| 20       | 1.196 | 45970-2111  | 45970-2211  | 45970-2311  | 45970-2411  | 45970-2511  | 45970-2611  | 45970-2711  | 45970-2811  | 45970-2911  | 45970-3011  | 45970-3111  | 45970-3211  | 45970-3311  | 45970-3411  |
| 30       | 1.696 | 45970-3111  | 45970-3211  | 45970-3311  | 45970-3411  | 45970-3511  | 45970-3611  | 45970-3711  | 45970-3811  | 45970-3911  | 45970-4011  | 45970-4111  | 45970-4211  | 45970-4311  | 45970-4411  |
| 40       | 2.196 | 45970-4111  | 45970-4211  | 45970-4311  | 45970-4411  | 45970-4511  | 45970-4611  | 45970-4711  | 45970-4811  | 45970-4911  | 45970-5011  | 45970-5111  | 45970-5211  | 45970-5311  | 45970-5411  |
| 50       | 2.696 | 45970-5111  | 45970-5211  | 45970-5311  | 45970-5411  | 45970-5511  | 45970-5611  | 45970-5711  | 45970-5811  | 45970-5911  | 45970-6011  | 45970-6111  | 45970-6211  | 45970-6311  | 45970-6411  |
| 15       | 0.946 | 45970-6111  | 45970-6211  | 45970-6311  | 45970-6411  | 45970-6511  | 45970-6611  | 45970-6711  | 45970-6811  | 45970-6911  | 45970-7011  | 45970-7111  | 45970-7211  | 45970-7311  | 45970-7411  |
| 25       | 1.446 | 45970-7111  | 45970-7211  | 45970-7311  | 45970-7411  | 45970-7511  | 45970-7611  | 45970-7711  | 45970-7811  | 45970-7911  | 45970-8011  | 45970-8111  | 45970-8211  | 45970-8311  | 45970-8411  |
| 35       | 1.946 | 45970-8111  | 45970-8211  | 45970-8311  | 45970-8411  | 45970-8511  | 45970-8611  | 45970-8711  | 45970-8811  | 45970-8911  | 45970-9011  | 45970-9111  | 45970-9211  | 45970-9311  | 45970-9411  |
| 45       | 2.446 | 45970-9111  | 45970-9211  | 45970-9311  | 45970-9411  | 45970-9511  | 45970-9611  | 45970-9711  | 45970-9811  | 45970-9911  | 45970-10011 | 45970-10111 | 45970-10211 | 45970-10311 | 45970-10411 |

| 6        |       | 5           |             | 4           |             | 3           |             | 2           |             | 1           |             |             |             |             |             |
|----------|-------|-------------|-------------|-------------|-------------|-------------|-------------|-------------|-------------|-------------|-------------|-------------|-------------|-------------|-------------|
| DIM P:   |       | 2.0 MM      |             | 3.0 MM      |             | 3.5 MM      |             | 2.5 MM      |             | 4.5 MM      |             | 5.0 MM      |             | 7.0 MM      |             |
| DIM R:   |       | .221        |             | .260        |             | .280        |             | .241        |             | .319        |             | .339        |             | .418        |             |
| POSITION | DIM G | MATERIAL NO | MATERIAL NO | MATERIAL NO | MATERIAL NO | MATERIAL NO | MATERIAL NO | MATERIAL NO | MATERIAL NO | MATERIAL NO | MATERIAL NO | MATERIAL NO | MATERIAL NO | MATERIAL NO | MATERIAL NO |
| 19       | 1.146 | 45970-0115  | 45970-0215  | 45970-0315  | 45970-0415  | 45970-0515  | 45970-0615  | 45970-0715  | 45970-0815  | 45970-0915  | 45970-1015  | 45970-1115  | 45970-1215  | 45970-1315  | 45970-1415  |
| 10       | 0.696 | 45970-1115  | 45970-1215  | 45970-1315  | 45970-1415  | 45970-1515  | 45970-1615  | 45970-1715  | 45970-1815  | 45970-1915  | 45970-2015  | 45970-2115  | 45970-2215  | 45970-2315  | 45970-2415  |
| 20       | 1.196 | 45970-2115  | 45970-2215  | 45970-2315  | 45970-2415  | 45970-2515  | 45970-2615  | 45970-2715  | 45970-2815  | 45970-2915  | 45970-3015  | 45970-3115  | 45970-3215  | 45970-3315  | 45970-3415  |
| 30       | 1.696 | 45970-3115  | 45970-3215  | 45970-3315  | 45970-3415  | 45970-3515  | 45970-3615  | 45970-3715  | 45970-3815  | 45970-3915  | 45970-4015  | 45970-4115  | 45970-4215  | 45970-4315  | 45970-4415  |
| 40       | 2.196 | 45970-4115  | 45970-4215  | 45970-4315  | 45970-4415  | 45970-4515  | 45970-4615  | 45970-4715  | 45970-4815  | 45970-4915  | 45970-5015  | 45970-5115  | 45970-5215  | 45970-5315  | 45970-5415  |
| 50       | 2.696 | 45970-5115  | 45970-5215  | 45970-5315  | 45970-5415  | 45970-5515  | 45970-5615  | 45970-5715  | 45970-5815  | 45970-5915  | 45970-6015  | 45970-6115  | 45970-6215  | 45970-6315  | 45970-6415  |
| 15       | 0.946 | 45970-6115  | 45970-6215  | 45970-6315  | 45970-6415  | 45970-6515  | 45970-6615  | 45970-6715  | 45970-6815  | 45970-6915  | 45970-7015  | 45970-7115  | 45970-7215  | 45970-7315  | 45970-7415  |
| 25       | 1.446 | 45970-7115  | 45970-7215  | 45970-7315  | 45970-7415  | 45970-7515  | 45970-7615  | 45970-7715  | 45970-7815  | 45970-7915  | 45970-8015  | 45970-8115  | 45970-8215  | 45970-8315  | 45970-8415  |
| 35       | 1.946 | 45970-8115  | 45970-8215  | 45970-8315  | 45970-8415  | 45970-8515  | 45970-8615  | 45970-8715  | 45970-8815  | 45970-8915  | 45970-9015  | 45970-9115  | 45970-9215  | 45970-9315  | 45970-9415  |
| 45       | 2.446 | 45970-9115  | 45970-9215  | 45970-9315  | 45970-9415  | 45970-9515  | 45970-9615  | 45970-9715  | 45970-9815  | 45970-9915  | 45970-10015 | 45970-10115 | 45970-10215 | 45970-10315 | 45970-10415 |


NOTES:  
 1. THIS SHEET CONTAINS THE FOLLOWING OPTIONS  
 ROWS: 10  
 SOLDER CHARGE: TIN  
 PACKAGING: TRAYS AND TAPE AND REEL

|  |                    |                                       |  |                              |   |                    |  |                        |                              |                      |
|--|--------------------|---------------------------------------|--|------------------------------|---|--------------------|--|------------------------|------------------------------|----------------------|
| SEE SHEET 1<br>EC NO: UCP2010-2270<br>DRWN: TGREGOR I 2010/03/05<br>CHKD: JCOMERC I 2010/03/05<br>APPR: JCOMERC I 2010/03/05 | DESCRIPTION<br>REV | GENERAL TOLERANCES (UNLESS SPECIFIED) |  | DIMENSION STYLE<br>INCH ONLY |   | SCALE<br>4:1       | DESIGN UNITS<br>INCH   | THIRD ANGLE PROJECTION |                              |                      |
|  |                    |                                       | mm   | INCH                         | DRAWN BY<br>TGREGOR I   | DATE<br>2005/01/27 | TITLE<br><b>SEARAY<br/>         PLUG ASSEMBLY<br/>         .050 CENTERS</b>  |                        |                              |                      |
|  |                    | 4 PLACES                              | ± ---  | ± ---                        | CHECKED BY<br>JCOMERC I   | DATE               |  |                        |                              |                      |
|  |                    | 3 PLACES                              | ± ---  | ± .010                       | APPROVED BY<br>JCOMERC I  | DATE<br>2010/03/05 |  |                        |                              |                      |
|  |                    | 2 PLACES                              | ± ---  | ± .015                       | ANGULAR ± ---°  |                    |  <b>MOLEX INCORPORATED</b>                  |                        | DOCUMENT NO.<br>SD-45970-001 | SHEET NO.<br>7 OF 10 |
| 1 PLACE  | ± ---              | ± ---                                 | DRAFT WHERE APPLICABLE<br>MUST REMAIN<br>WITHIN DIMENSIONS |                              | SIZE<br> |                    | THIS DRAWING CONTAINS INFORMATION THAT IS PROPRIETARY TO MOLEX<br>INCORPORATED AND SHOULD NOT BE USED WITHOUT WRITTEN PERMISSION |                        |                              |                      |

|    |                        |            |            |             |             |             |             |             |             |             |
|----|------------------------|------------|------------|-------------|-------------|-------------|-------------|-------------|-------------|-------------|
| D  | TRAY PACK PK-45971-001 | DIM P:     |            | 2.0 MM      | 3.0 MM      | 3.5 MM      | 2.5 MM      | 4.5 MM      | 5.0 MM      | 7.0 MM      |
|    |                        | DIM R:     |            | .221        | .260        | .280        | .241        | .319        | .339        | .418        |
|    |                        | POSITION   | DIM G      | MATERIAL NO | MATERIAL NO | MATERIAL NO | MATERIAL NO | MATERIAL NO | MATERIAL NO | MATERIAL NO |
|    |                        | 19         | 1.146      | 45970-0113  | 45970-0213  | 45970-0313  | 45970-0413  | 45970-0513  | 45970-0613  | 45970-0713  |
|    |                        | 10         | 0.696      | 45970-1113  | 45970-1213  | 45970-1313  | 45970-1413  | 45970-1513  | 45970-1613  | 45970-1713  |
|    |                        | 20         | 1.196      | 45970-2113  | 45970-2213  | 45970-2313  | 45970-2413  | 45970-2513  | 45970-2613  | 45970-2713  |
|    |                        | 30         | 1.696      | 45970-3113  | 45970-3213  | 45970-3313  | 45970-3413  | 45970-3513  | 45970-3613  | 45970-3713  |
|    |                        | 40         | 2.196      | 45970-4113  | 45970-4213  | 45970-4313  | 45970-4413  | 45970-4513  | 45970-4613  | 45970-4713  |
|    |                        | 50         | 2.696      | 45970-5113  | 45970-5213  | 45970-5313  | 45970-5413  | 45970-5513  | 45970-5613  | 45970-5713  |
|    |                        | 15         | 0.946      | 45970-6113  | 45970-6213  | 45970-6313  | 45970-6413  | 45970-6513  | 45970-6613  | 45970-6713  |
|    |                        | 25         | 1.446      | 45970-7113  | 45970-7213  | 45970-7313  | 45970-7413  | 45970-7513  | 45970-7613  | 45970-7713  |
|    |                        | 35         | 1.946      | 45970-8113  | 45970-8213  | 45970-8313  | 45970-8413  | 45970-8513  | 45970-8613  | 45970-8713  |
| 45 | 2.446                  | 45970-9113 | 45970-9213 | 45970-9313  | 45970-9413  | 45970-9513  | 45970-9613  | 45970-9713  |             |             |

|    |                                 |            |            |             |             |             |             |             |             |             |
|----|---------------------------------|------------|------------|-------------|-------------|-------------|-------------|-------------|-------------|-------------|
| C  | TAPE AND REEL PACK PK-45971-002 | DIM P:     |            | 2.0 MM      | 3.0 MM      | 3.5 MM      | 2.5 MM      | 4.5 MM      | 5.0 MM      | 7.0 MM      |
|    |                                 | DIM R:     |            | .221        | .260        | .280        | .241        | .319        | .339        | .418        |
|    |                                 | POSITION   | DIM G      | MATERIAL NO | MATERIAL NO | MATERIAL NO | MATERIAL NO | MATERIAL NO | MATERIAL NO | MATERIAL NO |
|    |                                 | 19         | 1.146      | 45970-0117  | 45970-0217  | 45970-0317  | 45970-0417  | 45970-0517  | 45970-0617  | 45970-0717  |
|    |                                 | 10         | 0.696      | 45970-1117  | 45970-1217  | 45970-1317  | 45970-1417  | 45970-1517  | 45970-1617  | 45970-1717  |
|    |                                 | 20         | 1.196      | 45970-2117  | 45970-2217  | 45970-2317  | 45970-2417  | 45970-2517  | 45970-2617  | 45970-2717  |
|    |                                 | 30         | 1.696      | 45970-3117  | 45970-3217  | 45970-3317  | 45970-3417  | 45970-3517  | 45970-3617  | 45970-3717  |
|    |                                 | 40         | 2.196      | 45970-4117  | 45970-4217  | 45970-4317  | 45970-4417  | 45970-4517  | 45970-4617  | 45970-4717  |
|    |                                 | 50         | 2.696      | 45970-5117  | 45970-5217  | 45970-5317  | 45970-5417  | 45970-5517  | 45970-5617  | 45970-5717  |
|    |                                 | 15         | 0.946      | 45970-6117  | 45970-6217  | 45970-6317  | 45970-6417  | 45970-6517  | 45970-6617  | 45970-6717  |
|    |                                 | 25         | 1.446      | 45970-7117  | 45970-7217  | 45970-7317  | 45970-7417  | 45970-7517  | 45970-7617  | 45970-7717  |
|    |                                 | 35         | 1.946      | 45970-8117  | 45970-8217  | 45970-8317  | 45970-8417  | 45970-8517  | 45970-8617  | 45970-8717  |
| 45 | 2.446                           | 45970-9117 | 45970-9217 | 45970-9317  | 45970-9417  | 45970-9517  | 45970-9617  | 45970-9717  |             |             |

NOTES:  
 1. THIS SHEET CONTAINS THE FOLLOWING OPTIONS  
 ROWS: 10  
 SOLDER CHARGE: TIN / LEAD  
 PACKAGING: TRAYS AND TAPE AND REEL

|  |                    |                                       |  |                                     |                          |  |   |                        |                                     |                             |
|--|--------------------|---------------------------------------|--|-------------------------------------|--------------------------|--|---|------------------------|-------------------------------------|-----------------------------|
| SEE SHEET 1<br>EC NO: UCP2010-2270<br>DRWN: TGREGOR I 2010/03/05<br>CHKD: JCOMERC I 2010/03/05<br>APPR: JCOMERC I 2010/03/05 | DESCRIPTION<br>REV | GENERAL TOLERANCES (UNLESS SPECIFIED) |  | DIMENSION STYLE<br><b>INCH ONLY</b> |                          | SCALE<br><b>4:1</b>  | DESIGN UNITS<br><b>INCH</b>   | THIRD ANGLE PROJECTION |                                     |                             |
|  |                    |                                       | mm   | INCH                                | DRAWN BY<br>TGREGOR I    | DATE<br>2005/01/27   | TITLE<br><b>SEARAY<br/>         PLUG ASSEMBLY<br/>         .050 CENTERS</b>                                     |                        |                                     |                             |
|  |                    | 4 PLACES                              | ± ---  | ± ---                               | CHECKED BY<br>JCOMERC I  | DATE   |   |                        |                                     |                             |
|  |                    | 3 PLACES                              | ± ---  | ± .010                              | APPROVED BY<br>JCOMERC I | DATE<br>2010/03/05   |   |                        |                                     |                             |
|  |                    | 2 PLACES                              | ± ---  | ± .015                              | ANGULAR ± ---°           |  |  <b>MOLEX INCORPORATED</b> |                        | DOCUMENT NO.<br><b>SD-45970-001</b> | SHEET NO.<br><b>8 OF 10</b> |
| 1 PLACE  | ± ---              | ± ---                                 | DRAFT WHERE APPLICABLE<br>MUST REMAIN<br>WITHIN DIMENSIONS |                                     | SIZE<br><b>A</b>         | THIS DRAWING CONTAINS INFORMATION THAT IS PROPRIETARY TO MOLEX<br>INCORPORATED AND SHOULD NOT BE USED WITHOUT WRITTEN PERMISSION |   |                        |                                     |                             |

|    |                        |            |            |             |             |             |             |             |             |             |  |   |  |  |
|----|------------------------|------------|------------|-------------|-------------|-------------|-------------|-------------|-------------|-------------|--|---|--|--|
| D  | TRAY PACK PK-45971-001 | 6          |            | 5           |             | 4           |             | 3           |             | 2           |  | 1 |  |  |
|    |                        | DIM P:     |            | 2.0 MM      | 3.0 MM      | 3.5 MM      | 2.5 MM      | 4.5 MM      | 5.0 MM      | 7.0 MM      |  |   |  |  |
|    |                        | DIM R:     |            | .221        | .260        | .280        | .241        | .319        | .339        | .418        |  |   |  |  |
|    |                        | POSITION   | DIM G      | MATERIAL NO | MATERIAL NO | MATERIAL NO | MATERIAL NO | MATERIAL NO | MATERIAL NO | MATERIAL NO |  |   |  |  |
|    |                        | 19         | 1.146      | 45970-0121  | 45970-0221  | 45970-0321  | 45970-0421  | 45970-0521  | 45970-0621  | 45970-0721  |  |   |  |  |
|    |                        | 10         | 0.696      | 45970-1121  | 45970-1221  | 45970-1321  | 45970-1421  | 45970-1521  | 45970-1621  | 45970-1721  |  |   |  |  |
|    |                        | 20         | 1.196      | 45970-2121  | 45970-2221  | 45970-2321  | 45970-2421  | 45970-2521  | 45970-2621  | 45970-2721  |  |   |  |  |
|    |                        | 30         | 1.696      | 45970-3121  | 45970-3221  | 45970-3321  | 45970-3421  | 45970-3521  | 45970-3621  | 45970-3721  |  |   |  |  |
|    |                        | 40         | 2.196      | 45970-4121  | 45970-4221  | 45970-4321  | 45970-4421  | 45970-4521  | 45970-4621  | 45970-4721  |  |   |  |  |
|    |                        | 50         | 2.696      | 45970-5121  | 45970-5221  | 45970-5321  | 45970-5421  | 45970-5521  | 45970-5621  | 45970-5721  |  |   |  |  |
|    |                        | 15         | 0.946      | 45970-6121  | 45970-6221  | 45970-6321  | 45970-6421  | 45970-6521  | 45970-6621  | 45970-6721  |  |   |  |  |
|    |                        | 25         | 1.446      | 45970-7121  | 45970-7221  | 45970-7321  | 45970-7421  | 45970-7521  | 45970-7621  | 45970-7721  |  |   |  |  |
| 35 | 1.946                  | 45970-8121 | 45970-8221 | 45970-8321  | 45970-8421  | 45970-8521  | 45970-8621  | 45970-8721  |             |             |  |   |  |  |
| 45 | 2.446                  | 45970-9121 | 45970-9221 | 45970-9321  | 45970-9421  | 45970-9521  | 45970-9621  | 45970-9721  |             |             |  |   |  |  |

|    |                                 |            |            |             |             |             |             |             |             |             |  |   |  |  |
|----|---------------------------------|------------|------------|-------------|-------------|-------------|-------------|-------------|-------------|-------------|--|---|--|--|
| C  | TAPE AND REEL PACK PK-45971-002 | 6          |            | 5           |             | 4           |             | 3           |             | 2           |  | 1 |  |  |
|    |                                 | DIM P:     |            | 2.0 MM      | 3.0 MM      | 3.5 MM      | 2.5 MM      | 4.5 MM      | 5.0 MM      | 7.0 MM      |  |   |  |  |
|    |                                 | DIM R:     |            | .221        | .260        | .280        | .241        | .319        | .339        | .418        |  |   |  |  |
|    |                                 | POSITION   | DIM G      | MATERIAL NO | MATERIAL NO | MATERIAL NO | MATERIAL NO | MATERIAL NO | MATERIAL NO | MATERIAL NO |  |   |  |  |
|    |                                 | 19         | 1.146      | 45970-0125  | 45970-0225  | 45970-0325  | 45970-0425  | 45970-0525  | 45970-0625  | 45970-0725  |  |   |  |  |
|    |                                 | 10         | 0.696      | 45970-1125  | 45970-1225  | 45970-1325  | 45970-1425  | 45970-1525  | 45970-1625  | 45970-1725  |  |   |  |  |
|    |                                 | 20         | 1.196      | 45970-2125  | 45970-2225  | 45970-2325  | 45970-2425  | 45970-2525  | 45970-2625  | 45970-2725  |  |   |  |  |
|    |                                 | 30         | 1.696      | 45970-3125  | 45970-3225  | 45970-3325  | 45970-3425  | 45970-3525  | 45970-3625  | 45970-3725  |  |   |  |  |
|    |                                 | 40         | 2.196      | 45970-4125  | 45970-4225  | 45970-4325  | 45970-4425  | 45970-4525  | 45970-4625  | 45970-4725  |  |   |  |  |
|    |                                 | 50         | 2.696      | 45970-5125  | 45970-5225  | 45970-5325  | 45970-5425  | 45970-5525  | 45970-5625  | 45970-5725  |  |   |  |  |
|    |                                 | 15         | 0.946      | 45970-6125  | 45970-6225  | 45970-6325  | 45970-6425  | 45970-6525  | 45970-6625  | 45970-6725  |  |   |  |  |
|    |                                 | 25         | 1.446      | 45970-7125  | 45970-7225  | 45970-7325  | 45970-7425  | 45970-7525  | 45970-7625  | 45970-7725  |  |   |  |  |
| 35 | 1.946                           | 45970-8125 | 45970-8225 | 45970-8325  | 45970-8425  | 45970-8525  | 45970-8625  | 45970-8725  |             |             |  |   |  |  |
| 45 | 2.446                           | 45970-9125 | 45970-9225 | 45970-9325  | 45970-9425  | 45970-9525  | 45970-9625  | 45970-9725  |             |             |  |   |  |  |

NOTES:  
1. THIS SHEET CONTAINS THE FOLLOWING OPTIONS  
ROWS: 12  
SOLDER CHARGE: TIN  
PACKAGING: TRAYS AND TAPE AND REEL

|   |             |                                       |  |                                     |                                     |                     |   |                        |  |  |
|---|-------------|---------------------------------------|--|-------------------------------------|-------------------------------------|---------------------|---|------------------------|--|--|
| SEE SHEET 1<br>EC NO: UCP2010-2270<br>DRWN: TGREGORI 2010/03/05<br>CHKD: JCOMERCI 2010/03/05<br>APPR: JCOMERCI 2010/03/05 | DESCRIPTION | GENERAL TOLERANCES (UNLESS SPECIFIED) |  | DIMENSION STYLE<br><b>INCH ONLY</b> |                                     | SCALE<br><b>4:1</b> | DESIGN UNITS<br><b>INCH</b>                               | THIRD ANGLE PROJECTION |  |  |
|   |             |                                       | mm   | INCH                                | DRAWN BY<br>TGREGORI                | DATE<br>2005/01/27  | TITLE<br><b>SEARAY<br/>PLUG ASSEMBLY<br/>.050 CENTERS</b> |                        |  |  |
|   |             | 4 PLACES                              | ± ---  | ± ---                               | CHECKED BY<br>JCOMERCI              | DATE                |   |                        |  |  |
|   |             | 3 PLACES                              | ± ---  | ± .010                              | APPROVED BY<br>JCOMERCI             |                     |   |                        |  |  |
|   |             | 2 PLACES                              | ± ---  | ± .015                              | ANGULAR ± ---°                      |                     | MOLEX INCORPORATED  |                        |  |  |
| 1 PLACE   | ± ---       | ± ---                                 | DRAFT WHERE APPLICABLE<br>MUST REMAIN<br>WITHIN DIMENSIONS |                                     | DOCUMENT NO.<br><b>SD-45970-001</b> |                     | SHEET NO.<br>9 OF 10                                      |                        |  |  |

|    |                        |            |            |             |             |             |             |             |             |             |
|----|------------------------|------------|------------|-------------|-------------|-------------|-------------|-------------|-------------|-------------|
| D  | TRAY PACK PK-45971-001 | DIM P:     |            | 2.0 MM      | 3.0 MM      | 3.5 MM      | 2.5 MM      | 4.5 MM      | 5.0 MM      | 7.0 MM      |
|    |                        | DIM R:     |            | .221        | .260        | .280        | .241        | .319        | .339        | .418        |
|    |                        | POSITION   | DIM G      | MATERIAL NO | MATERIAL NO | MATERIAL NO | MATERIAL NO | MATERIAL NO | MATERIAL NO | MATERIAL NO |
|    |                        | 19         | 1.146      | 45970-0123  | 45970-0223  | 45970-0323  | 45970-0423  | 45970-0523  | 45970-0623  | 45970-0723  |
|    |                        | 10         | 0.696      | 45970-1123  | 45970-1223  | 45970-1323  | 45970-1423  | 45970-1523  | 45970-1623  | 45970-1723  |
|    |                        | 20         | 1.196      | 45970-2123  | 45970-2223  | 45970-2323  | 45970-2423  | 45970-2523  | 45970-2623  | 45970-2723  |
|    |                        | 30         | 1.696      | 45970-3123  | 45970-3223  | 45970-3323  | 45970-3423  | 45970-3523  | 45970-3623  | 45970-3723  |
|    |                        | 40         | 2.196      | 45970-4123  | 45970-4223  | 45970-4323  | 45970-4423  | 45970-4523  | 45970-4623  | 45970-4723  |
|    |                        | 50         | 2.696      | 45970-5123  | 45970-5223  | 45970-5323  | 45970-5423  | 45970-5523  | 45970-5623  | 45970-5723  |
|    |                        | 15         | 0.946      | 45970-6123  | 45970-6223  | 45970-6323  | 45970-6423  | 45970-6523  | 45970-6623  | 45970-6723  |
|    |                        | 25         | 1.446      | 45970-7123  | 45970-7223  | 45970-7323  | 45970-7423  | 45970-7523  | 45970-7623  | 45970-7723  |
|    |                        | 35         | 1.946      | 45970-8123  | 45970-8223  | 45970-8323  | 45970-8423  | 45970-8523  | 45970-8623  | 45970-8723  |
| 45 | 2.446                  | 45970-9123 | 45970-9223 | 45970-9323  | 45970-9423  | 45970-9523  | 45970-9623  | 45970-9723  |             |             |

|    |                                 |            |            |             |             |             |             |             |             |             |
|----|---------------------------------|------------|------------|-------------|-------------|-------------|-------------|-------------|-------------|-------------|
| C  | TAPE AND REEL PACK PK-45971-002 | DIM P:     |            | 2.0 MM      | 3.0 MM      | 3.5 MM      | 2.5 MM      | 4.5 MM      | 5.0 MM      | 7.0 MM      |
|    |                                 | DIM R:     |            | .221        | .260        | .280        | .241        | .319        | .339        | .418        |
|    |                                 | POSITION   | DIM G      | MATERIAL NO | MATERIAL NO | MATERIAL NO | MATERIAL NO | MATERIAL NO | MATERIAL NO | MATERIAL NO |
|    |                                 | 19         | 1.146      | 45970-0127  | 45970-0227  | 45970-0327  | 45970-0427  | 45970-0527  | 45970-0627  | 45970-0727  |
|    |                                 | 10         | 0.696      | 45970-1127  | 45970-1227  | 45970-1327  | 45970-1427  | 45970-1527  | 45970-1627  | 45970-1727  |
|    |                                 | 20         | 1.196      | 45970-2127  | 45970-2227  | 45970-2327  | 45970-2427  | 45970-2527  | 45970-2627  | 45970-2727  |
|    |                                 | 30         | 1.696      | 45970-3127  | 45970-3227  | 45970-3327  | 45970-3427  | 45970-3527  | 45970-3627  | 45970-3727  |
|    |                                 | 40         | 2.196      | 45970-4127  | 45970-4227  | 45970-4327  | 45970-4427  | 45970-4527  | 45970-4627  | 45970-4727  |
|    |                                 | 50         | 2.696      | 45970-5127  | 45970-5227  | 45970-5327  | 45970-5427  | 45970-5527  | 45970-5627  | 45970-5727  |
|    |                                 | 15         | 0.946      | 45970-6127  | 45970-6227  | 45970-6327  | 45970-6427  | 45970-6527  | 45970-6627  | 45970-6727  |
|    |                                 | 25         | 1.446      | 45970-7127  | 45970-7227  | 45970-7327  | 45970-7427  | 45970-7527  | 45970-7627  | 45970-7727  |
|    |                                 | 35         | 1.946      | 45970-8127  | 45970-8227  | 45970-8327  | 45970-8427  | 45970-8527  | 45970-8627  | 45970-8727  |
| 45 | 2.446                           | 45970-9127 | 45970-9227 | 45970-9327  | 45970-9427  | 45970-9527  | 45970-9627  | 45970-9727  |             |             |

NOTES:  
 1. THIS SHEET CONTAINS THE FOLLOWING OPTIONS  
 ROWS: 12  
 SOLDER CHARGE: TIN / LEAD  
 PACKAGING: TRAYS AND TAPE AND REEL

|  |                    |                                       |  |                                     |  |                     |   |                        |                                     |                       |
|--|--------------------|---------------------------------------|--|-------------------------------------|--|---------------------|---|------------------------|-------------------------------------|-----------------------|
| SEE SHEET 1<br>EC NO: UCP2010-2270<br>DRWN: TGREGOR 2010/03/05<br>CHKD: JCOMERC 2010/03/05<br>APPR: JCOMERC 2010/03/05 | DESCRIPTION<br>REV | GENERAL TOLERANCES (UNLESS SPECIFIED) |  | DIMENSION STYLE<br><b>INCH ONLY</b> |  | SCALE<br><b>4:1</b> | DESIGN UNITS<br><b>INCH</b>   | THIRD ANGLE PROJECTION |                                     |                       |
|  |                    |                                       | mm   | INCH                                | DRAWN BY<br>TGREGOR I  | DATE<br>2005/01/27  | TITLE<br><b>SEARAY<br/>         PLUG ASSEMBLY<br/>         .050 CENTERS</b> |                        |                                     |                       |
|  |                    | 4 PLACES                              | ± ---  | ± ---                               | CHECKED BY<br>JCOMERC I  | DATE                |   |                        |                                     |                       |
|  |                    | 3 PLACES                              | ± ---  | ± .010                              | APPROVED BY<br>JCOMERC I   | DATE<br>2010/03/05  |   |                        |                                     |                       |
|  |                    | 2 PLACES                              | ± ---  | ± .015                              | ANGULAR ± ---°   |                     | <b>MOLEX INCORPORATED</b>   |                        | DOCUMENT NO.<br><b>SD-45970-001</b> | SHEET NO.<br>10 OF 10 |
| 1 PLACE  | ± ---              | ± ---                                 | DRAFT WHERE APPLICABLE<br>MUST REMAIN<br>WITHIN DIMENSIONS |                                     | THIS DRAWING CONTAINS INFORMATION THAT IS PROPRIETARY TO MOLEX<br>INCORPORATED AND SHOULD NOT BE USED WITHOUT WRITTEN PERMISSION |                     |   |                        |                                     |                       |