

PLEASE CHECK WWW.MOLEX.COM FOR LATEST PART INFORMATION

Part Number: [0459703181](#)
Status: **Active**
Overview: [searay](#)
Description: 1.27mm (.050") x 1.27mm (.050") Pitch SEARAY* Plug, 240 Circuits, 2.00mm (.078") Unmated Height, 8 Rows, Lead Free

Documents:

[3D Model](#) [Product Specification PS-45970-002 \(PDF\)](#)
[Drawing \(PDF\)](#) [RoHS Certificate of Compliance \(PDF\)](#)
[Product Specification PS-45970-001 \(PDF\)](#)

Agency Certification

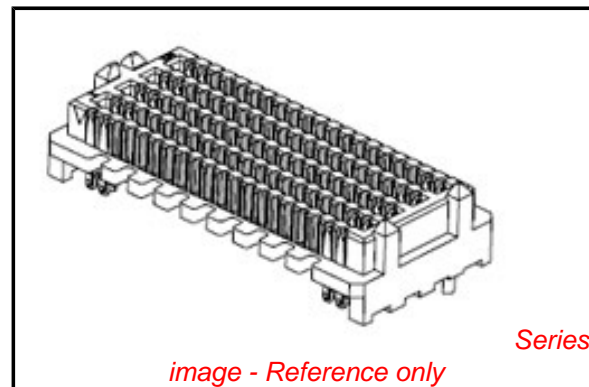
CSA LR19980
 UL E29179

General

Product Family PCB Headers
 Series [45970](#)
 Application Board-to-Board
 Overview [searay](#)
 Product Name SEARAY*

Physical

Breakaway No
 Circuits (Loaded) 240
 Circuits (maximum) 240
 Circuits Detail 240
 Color - Resin Black
 Durability (mating cycles max) 100
 First Mate / Last Break No
 Flammability 94V-0
 Glow-Wire Compliant No
 Guide to Mating Part Yes
 Keying to Mating Part None
 Lock to Mating Part Yes
 Material - Metal Copper Alloy
 Material - Plating Mating Gold
 Material - Plating Termination Tin
 Material - Resin High Temperature Thermoplastic
 Number of Rows 8
 Orientation Vertical
 PCB Locator Yes
 PCB Retention Yes
 PCB Thickness Recommended (in) 0.062 In
 PCB Thickness Recommended (mm) 1.60 mm
 Packaging Type Tray
 Pitch - Mating Interface (in) 0.050 In
 Pitch - Mating Interface (mm) 1.27 mm
 Pitch - Term. Interface (in) 0.050 In
 Pitch - Term. Interface (mm) 1.27 mm
 Plating min: Mating (µin) 30
 Plating min: Mating (µm) 0.75
 Plating min: Termination (µin) 100
 Plating min: Termination (µm) 2.5
 Polarized to Mating Part Yes
 Polarized to PCB Yes



EU RoHS

**ELV and RoHS
 Compliant**
REACH SVHC
 Not Reviewed
**Halogen-Free
 Status**
Not Reviewed

China RoHS



**Need more information on product
 environmental compliance?**

Email productcompliance@molex.com
 For a multiple part number RoHS Certificate of Compliance, [click here](#)

Please visit the [Contact Us](#) section for any non-product compliance questions.

Search Parts in this Series

[45970Series](#)

Mates With

[45971 SEARAY* Receptacle](#)

| | |
|--------------------------------|--------------------|
| Robotic Placement | Pick and Place Cap |
| Shrouded | No |
| Stackable | No |
| Surface Mount Compatible (SMC) | Yes |
| Temperature Range - Operating | -55°C to +125°C |
| Termination Interface: Style | Surface Mount |

Electrical

| | |
|-------------------------------|---------|
| Current - Maximum per Contact | 2.7A |
| Voltage - Maximum | 240V AC |

Solder Process Data

| | |
|--|---------------------------|
| Duration at Max. Process Temperature (seconds) | 3 |
| Lead-free Process Capability | Reflow Capable (SMT only) |
| Max. Cycles at Max. Process Temperature | 1 |
| Process Temperature max. C | 260 |

Material Info

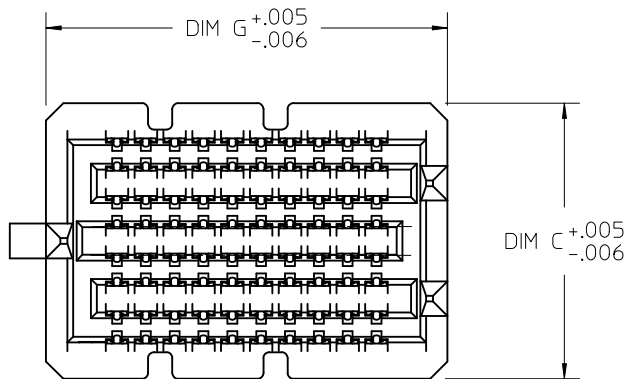
Reference - Drawing Numbers

| | |
|---------------------------|--|
| Application Specification | AS-45970-001, AS-45970-002, AS-45970-990 |
| Packaging Specification | PK-45970-001 |
| Product Specification | PS-45970-001, PS-45970-002 |
| Sales Drawing | SD-45970-001 |
| Test Summary | TS-45970-001 |

*SEARAY is a trademark of Samtec, Inc.

This document was generated on 05/25/2010

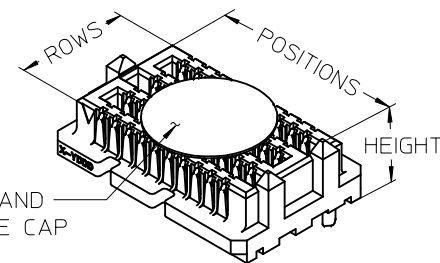
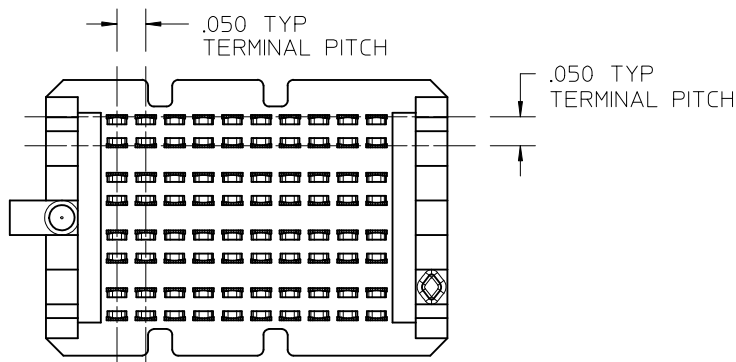
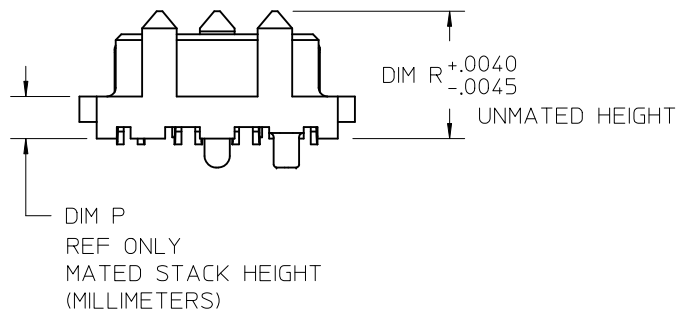
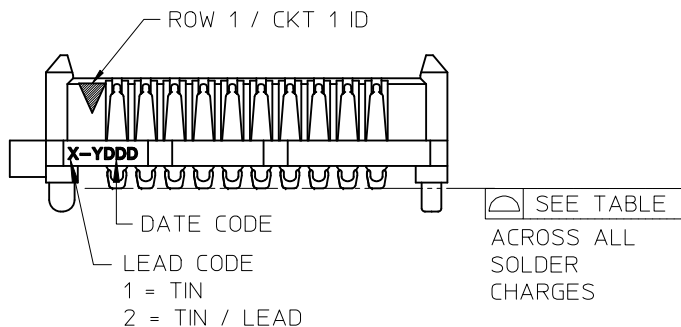
PLEASE CHECK WWW.MOLEX.COM FOR LATEST PART INFORMATION



NOTES:

1. MATERIAL: HOUSING: LCP, UL94V-0, BLACK
CONTACTS: COPPER ALLOY
SOLDER CHARGE: SEE CHARTS
2. FINISH: ALL OPTIONS - SELECT GOLD IN CONTACT AREA: 30 MI MIN
OPTIONS 2.0 & 2.5: SELECT GOLD FLASH IN TAIL, 7 MI MIN
OPTIONS 3.0 THRU 7.0: SELECT TIN IN TAIL, 100 MI MIN
ALL OPTIONS - OVER NICKEL
3. PRODUCT SPECIFICATION: PS-45970-001
4. PACKAGING SPECIFICATION: SEE CHART
5. MATES WITH SEARAY RECEPTACLE ASSY 45971
6. APPLICATION SPECIFICATION; AS-45970-001
7. COSMETIC SPECIFICATION: PS-45499-002 CLASS B
8. PART STATUS: CONTACT MOLEX

| POSITION | |
|----------|------|
| 19 | .006 |
| 10 | .006 |
| 20 | .006 |
| 30 | .006 |
| 40 | .006 |
| 50 | .006 |
| 15 | .006 |
| 25 | .006 |
| 35 | .009 |
| 45 | .009 |



HOUSING OPTIONS
SEE CHARTS

| | |
|---|-------------|
| UPDATED NOTE 2 EC NO: UCP2010-2270 DRWN: TGREGORI 2010/03/05 CH'KD: JCOMERC I 2010/03/05 APPR: JCOMERC I 2010/03/05 | DESCRIPTION |
| | REV |
| | M |
| | |
| | |

GENERAL TOLERANCES
(UNLESS SPECIFIED)

| | mm | INCH |
|----------------|-------|--------|
| 4 PLACES | ± --- | ± --- |
| 3 PLACES | ± --- | ± .010 |
| 2 PLACES | ± --- | ± .015 |
| 1 PLACE | ± --- | ± --- |
| ANGULAR ± ---° | | |

DRAFT WHERE APPLICABLE
MUST REMAIN
WITHIN DIMENSIONS

DIMENSION STYLE
INCH ONLY

| | |
|--------------|------------|
| DRAWN BY | DATE |
| TGREGORI | 2005/01/27 |
| CHECKED BY | DATE |
| JCOMERC I | |
| APPROVED BY | DATE |
| JCOMERC I | 2010/03/05 |
| MATERIAL NO. | |
| SEE CHART | |

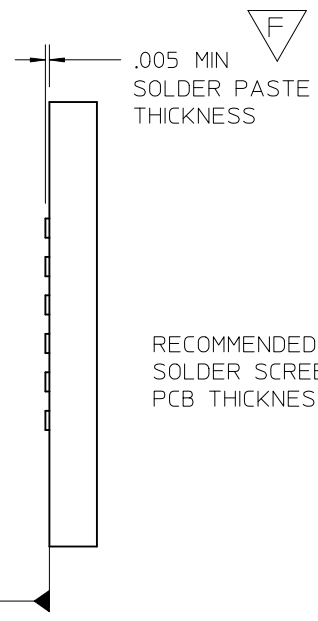
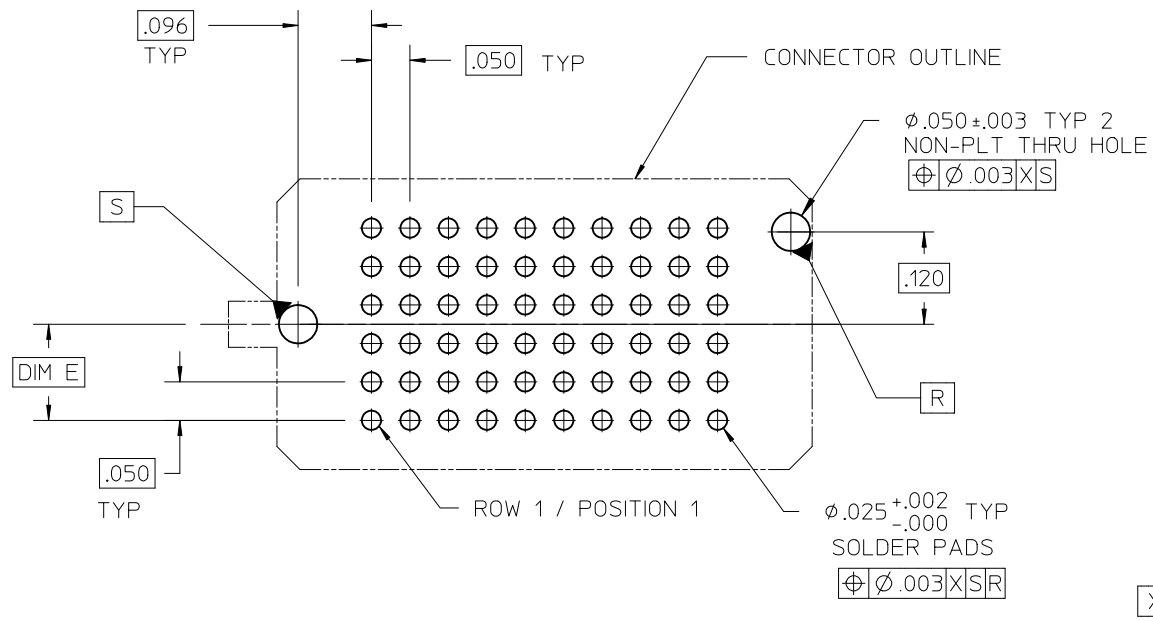
SCALE
3:1

DESIGN UNITS
INCH

THIRD ANGLE
PROJECTION

| | | |
|--------------------|--------------|---|
| TITLE | | SEARAY PLUG ASSEMBLY .050 CENTERS |
| MOLEX INCORPORATED | | |
| DOCUMENT NO. | SD-45970-001 | SHEET NO. 1 OF 10 |

THIS DRAWING CONTAINS INFORMATION THAT IS PROPRIETARY TO MOLEX
INCORPORATED AND SHOULD NOT BE USED WITHOUT WRITTEN PERMISSION

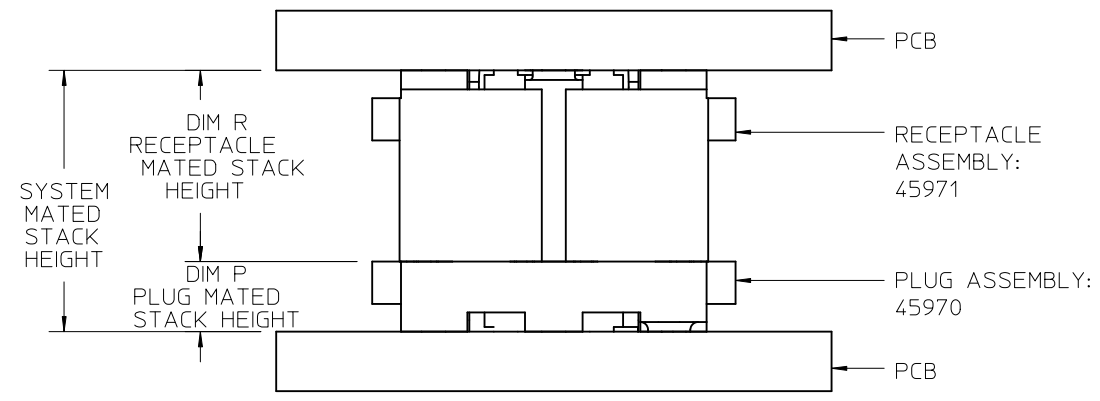


| NO OF ROWS | DIM C | DIM E |
|------------|-------|-------|
| 6 | .378 | .125 |
| 8 | .478 | .175 |
| 10 | .578 | .225 |
| 12 | .678 | .275 |

RECOMMENDED PCB LAYOUT: COMPONENT SIDE
 SOLDER SCREEN APERTURE SIZE: .035
 PCB THICKNESS: NA

| | | DIM R RECEPTACLE STACK HEIGHT | | | | |
|-------------------------|-----|-------------------------------|------|------|------|------|
| | | 5.0 | 6.0 | 6.5 | 7.5 | 8.0 |
| DIM P PLUG STACK HEIGHT | 2.0 | 7.0 | 8.0 | 8.5 | 9.5 | 10.0 |
| | 3.0 | 8.0 | 9.0 | 9.5 | 10.5 | 11.0 |
| | 3.5 | 8.5 | 9.5 | 10.0 | 11.0 | 11.5 |
| | 2.5 | 7.5 | 8.5 | 9.0 | 10.0 | 10.5 |
| | 4.5 | 9.5 | 10.5 | 11.0 | 12.0 | 12.5 |
| | 5.0 | 10.0 | 11.0 | 11.5 | 12.5 | 13.0 |
| | 7.0 | 12.0 | 13.0 | 13.5 | 14.5 | 15.0 |

MATED STACK HEIGHTS (MILLIMETERS) REF



STACK HEIGHTS GIVEN IN METRIC FOR REF ONLY

| | | | | | | | | | |
|--|--------------------|--|--------|------------------------------|--|--------------------|---|------------------------|--|
| SEE SHEET 1 EC NO: UCP2010-2270 DRWN: TGREGORI 2010/03/05 CH'KD: JCOMERCI 2010/03/05 APPR: JCOMERCI 2010/03/05 | DESCRIPTION REV | GENERAL TOLERANCES (UNLESS SPECIFIED) | | DIMENSION STYLE INCH ONLY | | SCALE 4:1 | DESIGN UNITS INCH | THIRD ANGLE PROJECTION | |
| | | | mm | INCH | DRAWN BY TGREGORI | DATE 2005/01/27 | TITLE SEARAY PLUG ASSEMBLY .050 CENTERS MOLEX INCORPORATED DOCUMENT NO. SD-45970-001 SHEET NO. 2 OF 10 | | |
| | | 4 PLACES | ± .005 | ± .010 | CHECKED BY JCOMERCI | DATE | | | |
| | | 3 PLACES | ± .005 | ± .010 | APPROVED BY JCOMERCI | DATE 2010/03/05 | | | |
| 2 PLACES | ± .005 | ± .015 | | | | | | | |
| | | 1 PLACE | ± .005 | ± .015 | | | | | |
| | | ANGULAR ± .005° | | | | | | | |
| | | DRAFT WHERE APPLICABLE MUST REMAIN WITHIN DIMENSIONS | | SIZE A | THIS DRAWING CONTAINS INFORMATION THAT IS PROPRIETARY TO MOLEX INCORPORATED AND SHOULD NOT BE USED WITHOUT WRITTEN PERMISSION | | | | |

| 6 | | 5 | | 4 | | 3 | | 2 | | 1 | | | | | |
|-----------------------------|----------|--------|-------------|-------------|-------------|-------------|-------------|-------------|-------------|-------------|-------------|-------------|-------------|-------------|-------------|
| DIM P: | | 2.0 MM | | 3.0 MM | | 3.5 MM | | 2.5 MM | | 4.5 MM | | 5.0 MM | | 7.0 MM | |
| DIM R: | | .221 | | .260 | | .280 | | .241 | | .319 | | .339 | | .418 | |
| D TRAY PACK PK-45971-001 | POSITION | DIM G | MATERIAL NO | MATERIAL NO | MATERIAL NO | MATERIAL NO | MATERIAL NO | MATERIAL NO | MATERIAL NO | MATERIAL NO | MATERIAL NO | MATERIAL NO | MATERIAL NO | MATERIAL NO | MATERIAL NO |
| | 19 | 1.146 | 45970-0161 | 45970-0261 | 45970-0361 | 45970-0461 | 45970-0561 | 45970-0661 | 45970-0761 | 45970-0861 | 45970-0961 | 45970-1061 | 45970-1161 | 45970-1261 | 45970-1361 |
| | 10 | 0.696 | 45970-1161 | 45970-1261 | 45970-1361 | 45970-1461 | 45970-1561 | 45970-1661 | 45970-1761 | 45970-1861 | 45970-1961 | 45970-2061 | 45970-2161 | 45970-2261 | 45970-2361 |
| | 20 | 1.196 | 45970-2161 | 45970-2261 | 45970-2361 | 45970-2461 | 45970-2561 | 45970-2661 | 45970-2761 | 45970-2861 | 45970-2961 | 45970-3061 | 45970-3161 | 45970-3261 | 45970-3361 |
| | 30 | 1.696 | 45970-3161 | 45970-3261 | 45970-3361 | 45970-3461 | 45970-3561 | 45970-3661 | 45970-3761 | 45970-3861 | 45970-3961 | 45970-4061 | 45970-4161 | 45970-4261 | 45970-4361 |
| | 40 | 2.196 | 45970-4161 | 45970-4261 | 45970-4361 | 45970-4461 | 45970-4561 | 45970-4661 | 45970-4761 | 45970-4861 | 45970-4961 | 45970-5061 | 45970-5161 | 45970-5261 | 45970-5361 |
| | 50 | 2.696 | 45970-5161 | 45970-5261 | 45970-5361 | 45970-5461 | 45970-5561 | 45970-5661 | 45970-5761 | 45970-5861 | 45970-5961 | 45970-6061 | 45970-6161 | 45970-6261 | 45970-6361 |
| | 15 | 0.946 | 45970-6161 | 45970-6261 | 45970-6361 | 45970-6461 | 45970-6561 | 45970-6661 | 45970-6761 | 45970-6861 | 45970-6961 | 45970-7061 | 45970-7161 | 45970-7261 | 45970-7361 |
| | 25 | 1.446 | 45970-7161 | 45970-7261 | 45970-7361 | 45970-7461 | 45970-7561 | 45970-7661 | 45970-7761 | 45970-7861 | 45970-7961 | 45970-8061 | 45970-8161 | 45970-8261 | 45970-8361 |
| | 35 | 1.946 | 45970-8161 | 45970-8261 | 45970-8361 | 45970-8461 | 45970-8561 | 45970-8661 | 45970-8761 | 45970-8861 | 45970-8961 | 45970-9061 | 45970-9161 | 45970-9261 | 45970-9361 |
| | 45 | 2.446 | 45970-9161 | 45970-9261 | 45970-9361 | 45970-9461 | 45970-9561 | 45970-9661 | 45970-9761 | 45970-9861 | 45970-9961 | 45970-0061 | 45970-0161 | 45970-0261 | 45970-0361 |

| 6 | | 5 | | 4 | | 3 | | 2 | | 1 | | | | | |
|--------------------------------------|----------|--------|-------------|-------------|-------------|-------------|-------------|-------------|-------------|-------------|-------------|-------------|-------------|-------------|-------------|
| DIM P: | | 2.0 MM | | 3.0 MM | | 3.5 MM | | 2.5 MM | | 4.5 MM | | 5.0 MM | | 7.0 MM | |
| DIM R: | | .221 | | .260 | | .280 | | .241 | | .319 | | .339 | | .418 | |
| C TAPE AND REEL PACK PK-45971-002 | POSITION | DIM G | MATERIAL NO | MATERIAL NO | MATERIAL NO | MATERIAL NO | MATERIAL NO | MATERIAL NO | MATERIAL NO | MATERIAL NO | MATERIAL NO | MATERIAL NO | MATERIAL NO | MATERIAL NO | MATERIAL NO |
| | 19 | 1.146 | 45970-0165 | 45970-0265 | 45970-0365 | 45970-0465 | 45970-0565 | 45970-0665 | 45970-0765 | 45970-0865 | 45970-0965 | 45970-1065 | 45970-1165 | 45970-1265 | 45970-1365 |
| | 10 | 0.696 | 45970-1165 | 45970-1265 | 45970-1365 | 45970-1465 | 45970-1565 | 45970-1665 | 45970-1765 | 45970-1865 | 45970-1965 | 45970-2065 | 45970-2165 | 45970-2265 | 45970-2365 |
| | 20 | 1.196 | 45970-2165 | 45970-2265 | 45970-2365 | 45970-2465 | 45970-2565 | 45970-2665 | 45970-2765 | 45970-2865 | 45970-2965 | 45970-3065 | 45970-3165 | 45970-3265 | 45970-3365 |
| | 30 | 1.696 | 45970-3165 | 45970-3265 | 45970-3365 | 45970-3465 | 45970-3565 | 45970-3665 | 45970-3765 | 45970-3865 | 45970-3965 | 45970-4065 | 45970-4165 | 45970-4265 | 45970-4365 |
| | 40 | 2.196 | 45970-4165 | 45970-4265 | 45970-4365 | 45970-4465 | 45970-4565 | 45970-4665 | 45970-4765 | 45970-4865 | 45970-4965 | 45970-5065 | 45970-5165 | 45970-5265 | 45970-5365 |
| | 50 | 2.696 | 45970-5165 | 45970-5265 | 45970-5365 | 45970-5465 | 45970-5565 | 45970-5665 | 45970-5765 | 45970-5865 | 45970-5965 | 45970-6065 | 45970-6165 | 45970-6265 | 45970-6365 |
| | 15 | 0.946 | 45970-6165 | 45970-6265 | 45970-6365 | 45970-6465 | 45970-6565 | 45970-6665 | 45970-6765 | 45970-6865 | 45970-6965 | 45970-7065 | 45970-7165 | 45970-7265 | 45970-7365 |
| | 25 | 1.446 | 45970-7165 | 45970-7265 | 45970-7365 | 45970-7465 | 45970-7565 | 45970-7665 | 45970-7765 | 45970-7865 | 45970-7965 | 45970-8065 | 45970-8165 | 45970-8265 | 45970-8365 |
| | 35 | 1.946 | 45970-8165 | 45970-8265 | 45970-8365 | 45970-8465 | 45970-8565 | 45970-8665 | 45970-8765 | 45970-8865 | 45970-8965 | 45970-9065 | 45970-9165 | 45970-9265 | 45970-9365 |
| | 45 | 2.446 | 45970-9165 | 45970-9265 | 45970-9365 | 45970-9465 | 45970-9565 | 45970-9665 | 45970-9765 | 45970-9865 | 45970-9965 | 45970-0065 | 45970-0165 | 45970-0265 | 45970-0365 |


NOTES:
 1. THIS SHEET CONTAINS THE FOLLOWING OPTIONS:
 NO OF ROWS: 6
 SOLDER CHARGE: TIN
 PACKAGING: TRAYS AND TAPE AND REEL

| | | | | | | | | | | |
|---|--------------------|---------------------------------------|--|-------------------------------------|-------------------------|---|---|------------------------|-------------------------------------|-----------------------------|
| SEE SHEET 1 EC NO: UCP2010-2270 DRWN: TGREGORI 2010/03/05 CHKD: JCOMERCI 2010/03/05 APPR: JCOMERCI 2010/03/05 | DESCRIPTION REV | GENERAL TOLERANCES (UNLESS SPECIFIED) | | DIMENSION STYLE INCH ONLY | | SCALE 4:1 | DESIGN UNITS INCH | THIRD ANGLE PROJECTION | | |
| | | | mm | INCH | DRAWN BY TGREGORI | DATE 2005/01/27 | TITLE SEARAY PLUG ASSEMBLY .050 CENTERS | | | |
| | | 4 PLACES | ± --- | ± --- | CHECKED BY JCOMERCI | DATE | | | | |
| | | 3 PLACES | ± --- | ± .010 | APPROVED BY JCOMERCI | DATE 2010/03/05 | | | | |
| | | 2 PLACES | ± --- | ± .015 | ANGULAR ± ---° | | MOLEX INCORPORATED | | DOCUMENT NO. SD-45970-001 | SHEET NO. 3 OF 10 |
| 1 PLACE | ± --- | ± --- | DRAFT WHERE APPLICABLE MUST REMAIN WITHIN DIMENSIONS | | SIZE A | THIS DRAWING CONTAINS INFORMATION THAT IS PROPRIETARY TO MOLEX INCORPORATED AND SHOULD NOT BE USED WITHOUT WRITTEN PERMISSION | | | | |

| 6 | | 5 | | 4 | | 3 | | 2 | | 1 | | | | | |
|----------|-------|-------------|--|-------------|--|-------------|--|-------------|--|-------------|--|-------------|--|------------|--|
| DIM P: | | 2.0 MM | | 3.0 MM | | 2.5 MM | | 4.5 MM | | 5.0 MM | | 7.0 MM | | | |
| DIM R: | | .221 | | .260 | | .280 | | .241 | | 3.19 | | .339 | | .418 | |
| POSITION | DIM G | MATERIAL NO | | MATERIAL NO | | MATERIAL NO | | MATERIAL NO | | MATERIAL NO | | MATERIAL NO | | | |
| 19 | 1.146 | 45970-0163 | | 45970-0263 | | 45970-0363 | | 45970-0463 | | 45970-0563 | | 45970-0663 | | 45970-0763 | |
| 10 | 0.696 | 45970-1163 | | 45970-1263 | | 45970-1363 | | 45970-1463 | | 45970-1563 | | 45970-1663 | | 45970-1763 | |
| 20 | 1.196 | 45970-2163 | | 45970-2263 | | 45970-2363 | | 45970-2463 | | 45970-2563 | | 45970-2663 | | 45970-2763 | |
| 30 | 1.696 | 45970-3163 | | 45970-3263 | | 45970-3363 | | 45970-3463 | | 45970-3563 | | 45970-3663 | | 45970-3763 | |
| 40 | 2.196 | 45970-4163 | | 45970-4263 | | 45970-4363 | | 45970-4463 | | 45970-4563 | | 45970-4663 | | 45970-4763 | |
| 50 | 2.696 | 45970-5163 | | 45970-5263 | | 45970-5363 | | 45970-5463 | | 45970-5563 | | 45970-5663 | | 45970-5763 | |
| 15 | 0.946 | 45970-6163 | | 45970-6263 | | 45970-6363 | | 45970-6463 | | 45970-6563 | | 45970-6663 | | 45970-6763 | |
| 25 | 1.446 | 45970-7163 | | 45970-7263 | | 45970-7363 | | 45970-7463 | | 45970-7563 | | 45970-7663 | | 45970-7763 | |
| 35 | 1.946 | 45970-8163 | | 45970-8263 | | 45970-8363 | | 45970-8463 | | 45970-8563 | | 45970-8663 | | 45970-8763 | |
| 45 | 2.446 | 45970-9163 | | 45970-9263 | | 45970-9363 | | 45970-9463 | | 45970-9563 | | 45970-9663 | | 45970-9763 | |

| 6 | | 5 | | 4 | | 3 | | 2 | | 1 | | | | | |
|----------|-------|-------------|--|-------------|--|-------------|--|-------------|--|-------------|--|-------------|--|------------|--|
| DIM P: | | 2.0 MM | | 3.0 MM | | 2.5 MM | | 4.5 MM | | 5.0 MM | | 7.0 MM | | | |
| DIM R: | | .221 | | .260 | | .280 | | .241 | | .319 | | .339 | | .418 | |
| POSITION | DIM G | MATERIAL NO | | MATERIAL NO | | MATERIAL NO | | MATERIAL NO | | MATERIAL NO | | MATERIAL NO | | | |
| 19 | 1.146 | 45970-0167 | | 45970-0267 | | 45970-0367 | | 45970-0467 | | 45970-0567 | | 45970-0667 | | 45970-0767 | |
| 10 | 0.696 | 45970-1167 | | 45970-1267 | | 45970-1367 | | 45970-1467 | | 45970-1567 | | 45970-1667 | | 45970-1767 | |
| 20 | 1.196 | 45970-2167 | | 45970-2267 | | 45970-2367 | | 45970-2467 | | 45970-2567 | | 45970-2667 | | 45970-2767 | |
| 30 | 1.696 | 45970-3167 | | 45970-3267 | | 45970-3367 | | 45970-3467 | | 45970-3567 | | 45970-3667 | | 45970-3767 | |
| 40 | 2.196 | 45970-4167 | | 45970-4267 | | 45970-4367 | | 45970-4467 | | 45970-4567 | | 45970-4667 | | 45970-4767 | |
| 50 | 2.696 | 45970-5167 | | 45970-5267 | | 45970-5367 | | 45970-5467 | | 45970-5567 | | 45970-5667 | | 45970-5767 | |
| 15 | 0.946 | 45970-6167 | | 45970-6267 | | 45970-6367 | | 45970-6467 | | 45970-6567 | | 45970-6667 | | 45970-6767 | |
| 25 | 1.446 | 45970-7167 | | 45970-7267 | | 45970-7367 | | 45970-7467 | | 45970-7567 | | 45970-7667 | | 45970-7767 | |
| 35 | 1.946 | 45970-8167 | | 45970-8267 | | 45970-8367 | | 45970-8467 | | 45970-8567 | | 45970-8667 | | 45970-8767 | |
| 45 | 2.446 | 45970-9167 | | 45970-9267 | | 45970-9367 | | 45970-9467 | | 45970-9567 | | 45970-9667 | | 45970-9767 | |

NOTES:
 1. THIS SHEET CONTAINS THE FOLLOWING OPTIONS
 ROWS: 6
 SOLDER CHARGE: TIN / LEAD
 PACKAGING: TRAYS AND TAPE AND REEL

| | | | | | | | | | | |
|--|--------------------|---------------------------------------|----------------|------------------------------|---|--------------------|--|------------------------|--|--|
| SEE SHEET 1 EC NO: UCP2010-2270 DRWN: TREGORI 2010/03/05 CHKD: JCOMERCI 2010/03/05 APPR: JCOMERCI 2010/03/05 | DESCRIPTION REV | GENERAL TOLERANCES (UNLESS SPECIFIED) | | DIMENSION STYLE INCH ONLY | | SCALE 4:1 | DESIGN UNITS INCH | THIRD ANGLE PROJECTION | | |
| | | | mm | INCH | DRAWN BY TREGORI | DATE 2005/01/27 | TITLE SEARAY PLUG ASSEMBLY .050 CENTERS  MOLEX INCORPORATED DOCUMENT NO. SD-45970-001 SHEET NO. 4 OF 10 | | | |
| | | 4 PLACES | ± --- | ± --- | CHECKED BY JCOMERCI | DATE | | | | |
| | | 3 PLACES | ± --- | ± .010 | APPROVED BY JCOMERCI | DATE 2010/03/05 | | | | |
| | | 2 PLACES | ± --- | ± .015 | | | | | | |
| 1 PLACE | ± --- | ± --- | ANGULAR ± ---° | | | | | | | |
| DRAFT WHERE APPLICABLE MUST REMAIN WITHIN DIMENSIONS | | | SIZE A | | THIS DRAWING CONTAINS INFORMATION THAT IS PROPRIETARY TO MOLEX INCORPORATED AND SHOULD NOT BE USED WITHOUT WRITTEN PERMISSION | | | | | |

| | | | | | | | | | | | | | | | |
|----------|-------|-------------|-------------|-------------|-------------|-------------|-------------|-------------|-------------|-------------|-------------|-------------|-------------|-------------|-------------|
| 6 | | 5 | | 4 | | 3 | | 2 | | 1 | | | | | |
| DIM P: | | 2.0 MM | | 3.0 MM | | 3.5 MM | | 2.5 MM | | 4.5 MM | | 5.0 MM | | 7.0 MM | |
| DIM R: | | .221 | | .260 | | .280 | | .241 | | .319 | | .339 | | .418 | |
| POSITION | DIM G | MATERIAL NO | MATERIAL NO | MATERIAL NO | MATERIAL NO | MATERIAL NO | MATERIAL NO | MATERIAL NO | MATERIAL NO | MATERIAL NO | MATERIAL NO | MATERIAL NO | MATERIAL NO | MATERIAL NO | MATERIAL NO |
| 19 | 1.146 | 45970-0181 | 45970-0281 | 45970-0381 | 45970-0481 | 45970-0581 | 45970-0681 | 45970-0781 | 45970-0881 | 45970-0981 | 45970-1081 | 45970-1181 | 45970-1281 | 45970-1381 | 45970-1481 |
| 10 | 0.696 | 45970-1181 | 45970-1281 | 45970-1381 | 45970-1481 | 45970-1581 | 45970-1681 | 45970-1781 | 45970-1881 | 45970-1981 | 45970-2081 | 45970-2181 | 45970-2281 | 45970-2381 | 45970-2481 |
| 20 | 1.196 | 45970-2181 | 45970-2281 | 45970-2381 | 45970-2481 | 45970-2581 | 45970-2681 | 45970-2781 | 45970-2881 | 45970-2981 | 45970-3081 | 45970-3181 | 45970-3281 | 45970-3381 | 45970-3481 |
| 30 | 1.696 | 45970-3181 | 45970-3281 | 45970-3381 | 45970-3481 | 45970-3581 | 45970-3681 | 45970-3781 | 45970-3881 | 45970-3981 | 45970-4081 | 45970-4181 | 45970-4281 | 45970-4381 | 45970-4481 |
| 40 | 2.196 | 45970-4181 | 45970-4281 | 45970-4381 | 45970-4481 | 45970-4581 | 45970-4681 | 45970-4781 | 45970-4881 | 45970-4981 | 45970-5081 | 45970-5181 | 45970-5281 | 45970-5381 | 45970-5481 |
| 50 | 2.696 | 45970-5181 | 45970-5281 | 45970-5381 | 45970-5481 | 45970-5581 | 45970-5681 | 45970-5781 | 45970-5881 | 45970-5981 | 45970-6081 | 45970-6181 | 45970-6281 | 45970-6381 | 45970-6481 |
| 15 | 0.946 | 45970-6181 | 45970-6281 | 45970-6381 | 45970-6481 | 45970-6581 | 45970-6681 | 45970-6781 | 45970-6881 | 45970-6981 | 45970-7081 | 45970-7181 | 45970-7281 | 45970-7381 | 45970-7481 |
| 25 | 1.446 | 45970-7181 | 45970-7281 | 45970-7381 | 45970-7481 | 45970-7581 | 45970-7681 | 45970-7781 | 45970-7881 | 45970-7981 | 45970-8081 | 45970-8181 | 45970-8281 | 45970-8381 | 45970-8481 |
| 35 | 1.946 | 45970-8181 | 45970-8281 | 45970-8381 | 45970-8481 | 45970-8581 | 45970-8681 | 45970-8781 | 45970-8881 | 45970-8981 | 45970-9081 | 45970-9181 | 45970-9281 | 45970-9381 | 45970-9481 |
| 45 | 2.446 | 45970-9181 | 45970-9281 | 45970-9381 | 45970-9481 | 45970-9581 | 45970-9681 | 45970-9781 | 45970-9881 | 45970-9981 | 45970-10081 | 45970-10181 | 45970-10281 | 45970-10381 | 45970-10481 |

| | | | | | | | | | | | | | | | |
|----------|-------|-------------|-------------|-------------|-------------|-------------|-------------|-------------|-------------|-------------|-------------|-------------|-------------|-------------|-------------|
| 6 | | 5 | | 4 | | 3 | | 2 | | 1 | | | | | |
| DIM P: | | 2.0 MM | | 3.0 MM | | 3.5 MM | | 2.5 MM | | 4.5 MM | | 5.0 MM | | 7.0 MM | |
| DIM R: | | .221 | | .260 | | .280 | | .241 | | .319 | | .339 | | .418 | |
| POSITION | DIM G | MATERIAL NO | MATERIAL NO | MATERIAL NO | MATERIAL NO | MATERIAL NO | MATERIAL NO | MATERIAL NO | MATERIAL NO | MATERIAL NO | MATERIAL NO | MATERIAL NO | MATERIAL NO | MATERIAL NO | MATERIAL NO |
| 19 | 1.146 | 45970-0185 | 45970-0285 | 45970-0385 | 45970-0485 | 45970-0585 | 45970-0685 | 45970-0785 | 45970-0885 | 45970-0985 | 45970-1085 | 45970-1185 | 45970-1285 | 45970-1385 | 45970-1485 |
| 10 | 0.696 | 45970-1185 | 45970-1285 | 45970-1385 | 45970-1485 | 45970-1585 | 45970-1685 | 45970-1785 | 45970-1885 | 45970-1985 | 45970-2085 | 45970-2185 | 45970-2285 | 45970-2385 | 45970-2485 |
| 20 | 1.196 | 45970-2185 | 45970-2285 | 45970-2385 | 45970-2485 | 45970-2585 | 45970-2685 | 45970-2785 | 45970-2885 | 45970-2985 | 45970-3085 | 45970-3185 | 45970-3285 | 45970-3385 | 45970-3485 |
| 30 | 1.696 | 45970-3185 | 45970-3285 | 45970-3385 | 45970-3485 | 45970-3585 | 45970-3685 | 45970-3785 | 45970-3885 | 45970-3985 | 45970-4085 | 45970-4185 | 45970-4285 | 45970-4385 | 45970-4485 |
| 40 | 2.196 | 45970-4185 | 45970-4285 | 45970-4385 | 45970-4485 | 45970-4585 | 45970-4685 | 45970-4785 | 45970-4885 | 45970-4985 | 45970-5085 | 45970-5185 | 45970-5285 | 45970-5385 | 45970-5485 |
| 50 | 2.696 | 45970-5185 | 45970-5285 | 45970-5385 | 45970-5485 | 45970-5585 | 45970-5685 | 45970-5785 | 45970-5885 | 45970-5985 | 45970-6085 | 45970-6185 | 45970-6285 | 45970-6385 | 45970-6485 |
| 15 | 0.946 | 45970-6185 | 45970-6285 | 45970-6385 | 45970-6485 | 45970-6585 | 45970-6685 | 45970-6785 | 45970-6885 | 45970-6985 | 45970-7085 | 45970-7185 | 45970-7285 | 45970-7385 | 45970-7485 |
| 25 | 1.446 | 45970-7185 | 45970-7285 | 45970-7385 | 45970-7485 | 45970-7585 | 45970-7685 | 45970-7785 | 45970-7885 | 45970-7985 | 45970-8085 | 45970-8185 | 45970-8285 | 45970-8385 | 45970-8485 |
| 35 | 1.946 | 45970-8185 | 45970-8285 | 45970-8385 | 45970-8485 | 45970-8585 | 45970-8685 | 45970-8785 | 45970-8885 | 45970-8985 | 45970-9085 | 45970-9185 | 45970-9285 | 45970-9385 | 45970-9485 |
| 45 | 2.446 | 45970-9185 | 45970-9285 | 45970-9385 | 45970-9485 | 45970-9585 | 45970-9685 | 45970-9785 | 45970-9885 | 45970-9985 | 45970-10085 | 45970-10185 | 45970-10285 | 45970-10385 | 45970-10485 |


NOTES:
 1. THIS SHEET CONTAINS THE FOLLOWING OPTIONS
 ROWS: 8
 SOLDER CHARGE: TIN
 PACKAGING: TRAYS AND TAPE AND REEL

| | | | | | | | | | | |
|---|--------------------|---------------------------------------|-------------|--|--------------|--------------|--|------------------------|--|--|
| SEE SHEET 1 EC NO: UCP2010-2270 DRWN: TGREGORI 2010/03/05 CHKD: JCOMERCI 2010/03/05 APPR: JCOMERCI 2010/03/05 | DESCRIPTION REV | GENERAL TOLERANCES (UNLESS SPECIFIED) | | DIMENSION STYLE INCH ONLY | | SCALE 4:1 | DESIGN UNITS INCH | THIRD ANGLE PROJECTION | | |
| | | | mm | INCH | DRAWN BY | DATE | TITLE SEARAY PLUG ASSEMBLY .050 CENTERS | | | |
| | | 4 PLACES | ± --- | ± --- | TGREGORI | 2005/01/27 | | | | |
| | | 3 PLACES | ± --- | ± .010 | CHECKED BY | DATE | MOLEX INCORPORATED | | | |
| | | 2 PLACES | ± --- | ± .015 | JCOMERCI | | | | | |
| 1 PLACE | ± --- | ± --- | APPROVED BY | DATE | DOCUMENT NO. | SHEET NO. | | | | |
| | | ANGULAR ± ---° | JCOMERCI | 2010/03/05 | SD-45970-001 | 5 OF 10 | | | | |
| DRAFT WHERE APPLICABLE MUST REMAIN WITHIN DIMENSIONS | | | SIZE A | THIS DRAWING CONTAINS INFORMATION THAT IS PROPRIETARY TO MOLEX INCORPORATED AND SHOULD NOT BE USED WITHOUT WRITTEN PERMISSION | | | | | | |

| 6 | | 5 | | 4 | | 3 | | 2 | | 1 | | | | | |
|----------|-------|-------------|-------------|-------------|-------------|-------------|-------------|-------------|-------------|-------------|-------------|-------------|-------------|-------------|-------------|
| DIM P: | | 2.0 MM | | 3.0 MM | | 3.5 MM | | 2.5 MM | | 4.5 MM | | 5.0 MM | | 7.0 MM | |
| DIM R: | | .221 | | .260 | | .280 | | .241 | | .319 | | .339 | | .418 | |
| POSITION | DIM G | MATERIAL NO | MATERIAL NO | MATERIAL NO | MATERIAL NO | MATERIAL NO | MATERIAL NO | MATERIAL NO | MATERIAL NO | MATERIAL NO | MATERIAL NO | MATERIAL NO | MATERIAL NO | MATERIAL NO | MATERIAL NO |
| 19 | 1.146 | 45970-0183 | 45970-0283 | 45970-0383 | 45970-0483 | 45970-0583 | 45970-0683 | 45970-0783 | 45970-0883 | 45970-0983 | 45970-1083 | 45970-1183 | 45970-1283 | 45970-1383 | 45970-1483 |
| 10 | 0.696 | 45970-1183 | 45970-1283 | 45970-1383 | 45970-1483 | 45970-1583 | 45970-1683 | 45970-1783 | 45970-1883 | 45970-1983 | 45970-2083 | 45970-2183 | 45970-2283 | 45970-2383 | 45970-2483 |
| 20 | 1.196 | 45970-2183 | 45970-2283 | 45970-2383 | 45970-2483 | 45970-2583 | 45970-2683 | 45970-2783 | 45970-2883 | 45970-2983 | 45970-3083 | 45970-3183 | 45970-3283 | 45970-3383 | 45970-3483 |
| 30 | 1.696 | 45970-3183 | 45970-3283 | 45970-3383 | 45970-3483 | 45970-3583 | 45970-3683 | 45970-3783 | 45970-3883 | 45970-3983 | 45970-4083 | 45970-4183 | 45970-4283 | 45970-4383 | 45970-4483 |
| 40 | 2.196 | 45970-4183 | 45970-4283 | 45970-4383 | 45970-4483 | 45970-4583 | 45970-4683 | 45970-4783 | 45970-4883 | 45970-4983 | 45970-5083 | 45970-5183 | 45970-5283 | 45970-5383 | 45970-5483 |
| 50 | 2.696 | 45970-5183 | 45970-5283 | 45970-5383 | 45970-5483 | 45970-5583 | 45970-5683 | 45970-5783 | 45970-5883 | 45970-5983 | 45970-6083 | 45970-6183 | 45970-6283 | 45970-6383 | 45970-6483 |
| 15 | 0.446 | 45970-6183 | 45970-6283 | 45970-6383 | 45970-6483 | 45970-6583 | 45970-6683 | 45970-6783 | 45970-6883 | 45970-6983 | 45970-7083 | 45970-7183 | 45970-7283 | 45970-7383 | 45970-7483 |
| 25 | 0.946 | 45970-7183 | 45970-7283 | 45970-7383 | 45970-7483 | 45970-7583 | 45970-7683 | 45970-7783 | 45970-7883 | 45970-7983 | 45970-8083 | 45970-8183 | 45970-8283 | 45970-8383 | 45970-8483 |
| 35 | 1.446 | 45970-8183 | 45970-8283 | 45970-8383 | 45970-8483 | 45970-8583 | 45970-8683 | 45970-8783 | 45970-8883 | 45970-8983 | 45970-9083 | 45970-9183 | 45970-9283 | 45970-9383 | 45970-9483 |
| 45 | 1.946 | 45970-9183 | 45970-9283 | 45970-9383 | 45970-9483 | 45970-9583 | 45970-9683 | 45970-9783 | 45970-9883 | 45970-9983 | 45970-10083 | 45970-10183 | 45970-10283 | 45970-10383 | 45970-10483 |

| 6 | | 5 | | 4 | | 3 | | 2 | | 1 | | | | | |
|----------|-------|-------------|-------------|-------------|-------------|-------------|-------------|-------------|-------------|-------------|-------------|-------------|-------------|-------------|-------------|
| DIM P: | | 2.0 MM | | 3.0 MM | | 3.5 MM | | 2.5 MM | | 4.5 MM | | 5.0 MM | | 7.0 MM | |
| DIM R: | | .221 | | .260 | | .280 | | .241 | | .319 | | .339 | | .418 | |
| POSITION | DIM G | MATERIAL NO | MATERIAL NO | MATERIAL NO | MATERIAL NO | MATERIAL NO | MATERIAL NO | MATERIAL NO | MATERIAL NO | MATERIAL NO | MATERIAL NO | MATERIAL NO | MATERIAL NO | MATERIAL NO | MATERIAL NO |
| 19 | 1.146 | 45970-0187 | 45970-0287 | 45970-0387 | 45970-0487 | 45970-0587 | 45970-0687 | 45970-0787 | 45970-0887 | 45970-0987 | 45970-1087 | 45970-1187 | 45970-1287 | 45970-1387 | 45970-1487 |
| 10 | 0.696 | 45970-1187 | 45970-1287 | 45970-1387 | 45970-1487 | 45970-1587 | 45970-1687 | 45970-1787 | 45970-1887 | 45970-1987 | 45970-2087 | 45970-2187 | 45970-2287 | 45970-2387 | 45970-2487 |
| 20 | 1.196 | 45970-2187 | 45970-2287 | 45970-2387 | 45970-2487 | 45970-2587 | 45970-2687 | 45970-2787 | 45970-2887 | 45970-2987 | 45970-3087 | 45970-3187 | 45970-3287 | 45970-3387 | 45970-3487 |
| 30 | 1.696 | 45970-3187 | 45970-3287 | 45970-3387 | 45970-3487 | 45970-3587 | 45970-3687 | 45970-3787 | 45970-3887 | 45970-3987 | 45970-4087 | 45970-4187 | 45970-4287 | 45970-4387 | 45970-4487 |
| 40 | 2.196 | 45970-4187 | 45970-4287 | 45970-4387 | 45970-4487 | 45970-4587 | 45970-4687 | 45970-4787 | 45970-4887 | 45970-4987 | 45970-5087 | 45970-5187 | 45970-5287 | 45970-5387 | 45970-5487 |
| 50 | 2.696 | 45970-5187 | 45970-5287 | 45970-5387 | 45970-5487 | 45970-5587 | 45970-5687 | 45970-5787 | 45970-5887 | 45970-5987 | 45970-6087 | 45970-6187 | 45970-6287 | 45970-6387 | 45970-6487 |
| 15 | 0.946 | 45970-6187 | 45970-6287 | 45970-6387 | 45970-6487 | 45970-6587 | 45970-6687 | 45970-6787 | 45970-6887 | 45970-6987 | 45970-7087 | 45970-7187 | 45970-7287 | 45970-7387 | 45970-7487 |
| 25 | 1.446 | 45970-7187 | 45970-7287 | 45970-7387 | 45970-7487 | 45970-7587 | 45970-7687 | 45970-7787 | 45970-7887 | 45970-7987 | 45970-8087 | 45970-8187 | 45970-8287 | 45970-8387 | 45970-8487 |
| 35 | 1.946 | 45970-8187 | 45970-8287 | 45970-8387 | 45970-8487 | 45970-8587 | 45970-8687 | 45970-8787 | 45970-8887 | 45970-8987 | 45970-9087 | 45970-9187 | 45970-9287 | 45970-9387 | 45970-9487 |
| 45 | 2.446 | 45970-9187 | 45970-9287 | 45970-9387 | 45970-9487 | 45970-9587 | 45970-9687 | 45970-9787 | 45970-9887 | 45970-9987 | 45970-10087 | 45970-10187 | 45970-10287 | 45970-10387 | 45970-10487 |


NOTES:
 1. THIS SHEET CONTAINS THE FOLLOWING OPTIONS
 ROWS: 8
 SOLDER CHARGE: TIN / LEAD
 PACKAGING: TRAYS AND TAPE AND REEL

| | | | | | | | | | | | |
|--|--------------------|---------------------------------------|----------------|---|--|--------------------|--|--|--|--|--|
| SEE SHEET 1 EC NO: UCP2010-2270 DRWN: TGREGORI 2010/03/05 CH'KD: JCOMERCI 2010/03/05 APPR: JCOMERCI 2010/03/05 | DESCRIPTION REV | GENERAL TOLERANCES (UNLESS SPECIFIED) | | DIMENSION STYLE INCH ONLY | | SCALE 4:1 | DESIGN UNITS INCH | THIRD ANGLE PROJECTION | | | |
| | | | mm | INCH | DRAWN BY TGREGORI | DATE 2005/01/27 | TITLE SEARAY PLUG ASSEMBLY .050 CENTERS | | | | |
| | | 4 PLACES | ± --- | ± --- | CHECKED BY JCOMERCI | DATE | | | | | |
| | | 3 PLACES | ± --- | ± .010 | APPROVED BY JCOMERCI | | DATE 2010/03/05 |  MOLEX INCORPORATED DOCUMENT NO. SD-45970-001 SHEET NO. 6 OF 10 | | | |
| | | 2 PLACES | ± --- | ± .015 | | | | | | | |
| 1 PLACE | ± --- | ± --- | ANGULAR ± ---° | | DRAFT WHERE APPLICABLE MUST REMAIN WITHIN DIMENSIONS | | | | | | |
| M | REV | SIZE A | | THIS DRAWING CONTAINS INFORMATION THAT IS PROPRIETARY TO MOLEX INCORPORATED AND SHOULD NOT BE USED WITHOUT WRITTEN PERMISSION | | | | | | | |

| 6 | | 5 | | 4 | | 3 | | 2 | | 1 | | | | | |
|----------|-------|-------------|-------------|-------------|-------------|-------------|-------------|-------------|-------------|-------------|-------------|-------------|-------------|-------------|-------------|
| DIM P: | | 2.0 MM | | 3.0 MM | | 3.5 MM | | 2.5 MM | | 4.5 MM | | 5.0 MM | | 7.0 MM | |
| DIM R: | | .221 | | .260 | | .280 | | .241 | | .319 | | .339 | | .418 | |
| POSITION | DIM G | MATERIAL NO | MATERIAL NO | MATERIAL NO | MATERIAL NO | MATERIAL NO | MATERIAL NO | MATERIAL NO | MATERIAL NO | MATERIAL NO | MATERIAL NO | MATERIAL NO | MATERIAL NO | MATERIAL NO | MATERIAL NO |
| 19 | 1.146 | 45970-0111 | 45970-0211 | 45970-0311 | 45970-0411 | 45970-0511 | 45970-0611 | 45970-0711 | 45970-0811 | 45970-0911 | 45970-1011 | 45970-1111 | 45970-1211 | 45970-1311 | 45970-1411 |
| 10 | 0.696 | 45970-1111 | 45970-1211 | 45970-1311 | 45970-1411 | 45970-1511 | 45970-1611 | 45970-1711 | 45970-1811 | 45970-1911 | 45970-2011 | 45970-2111 | 45970-2211 | 45970-2311 | 45970-2411 |
| 20 | 1.196 | 45970-2111 | 45970-2211 | 45970-2311 | 45970-2411 | 45970-2511 | 45970-2611 | 45970-2711 | 45970-2811 | 45970-2911 | 45970-3011 | 45970-3111 | 45970-3211 | 45970-3311 | 45970-3411 |
| 30 | 1.696 | 45970-3111 | 45970-3211 | 45970-3311 | 45970-3411 | 45970-3511 | 45970-3611 | 45970-3711 | 45970-3811 | 45970-3911 | 45970-4011 | 45970-4111 | 45970-4211 | 45970-4311 | 45970-4411 |
| 40 | 2.196 | 45970-4111 | 45970-4211 | 45970-4311 | 45970-4411 | 45970-4511 | 45970-4611 | 45970-4711 | 45970-4811 | 45970-4911 | 45970-5011 | 45970-5111 | 45970-5211 | 45970-5311 | 45970-5411 |
| 50 | 2.696 | 45970-5111 | 45970-5211 | 45970-5311 | 45970-5411 | 45970-5511 | 45970-5611 | 45970-5711 | 45970-5811 | 45970-5911 | 45970-6011 | 45970-6111 | 45970-6211 | 45970-6311 | 45970-6411 |
| 15 | 0.946 | 45970-6111 | 45970-6211 | 45970-6311 | 45970-6411 | 45970-6511 | 45970-6611 | 45970-6711 | 45970-6811 | 45970-6911 | 45970-7011 | 45970-7111 | 45970-7211 | 45970-7311 | 45970-7411 |
| 25 | 1.446 | 45970-7111 | 45970-7211 | 45970-7311 | 45970-7411 | 45970-7511 | 45970-7611 | 45970-7711 | 45970-7811 | 45970-7911 | 45970-8011 | 45970-8111 | 45970-8211 | 45970-8311 | 45970-8411 |
| 35 | 1.946 | 45970-8111 | 45970-8211 | 45970-8311 | 45970-8411 | 45970-8511 | 45970-8611 | 45970-8711 | 45970-8811 | 45970-8911 | 45970-9011 | 45970-9111 | 45970-9211 | 45970-9311 | 45970-9411 |
| 45 | 2.446 | 45970-9111 | 45970-9211 | 45970-9311 | 45970-9411 | 45970-9511 | 45970-9611 | 45970-9711 | 45970-9811 | 45970-9911 | 45970-10011 | 45970-10111 | 45970-10211 | 45970-10311 | 45970-10411 |

| 6 | | 5 | | 4 | | 3 | | 2 | | 1 | | | | | |
|----------|-------|-------------|-------------|-------------|-------------|-------------|-------------|-------------|-------------|-------------|-------------|-------------|-------------|-------------|-------------|
| DIM P: | | 2.0 MM | | 3.0 MM | | 3.5 MM | | 2.5 MM | | 4.5 MM | | 5.0 MM | | 7.0 MM | |
| DIM R: | | .221 | | .260 | | .280 | | .241 | | .319 | | .339 | | .418 | |
| POSITION | DIM G | MATERIAL NO | MATERIAL NO | MATERIAL NO | MATERIAL NO | MATERIAL NO | MATERIAL NO | MATERIAL NO | MATERIAL NO | MATERIAL NO | MATERIAL NO | MATERIAL NO | MATERIAL NO | MATERIAL NO | MATERIAL NO |
| 19 | 1.146 | 45970-0115 | 45970-0215 | 45970-0315 | 45970-0415 | 45970-0515 | 45970-0615 | 45970-0715 | 45970-0815 | 45970-0915 | 45970-1015 | 45970-1115 | 45970-1215 | 45970-1315 | 45970-1415 |
| 10 | 0.696 | 45970-1115 | 45970-1215 | 45970-1315 | 45970-1415 | 45970-1515 | 45970-1615 | 45970-1715 | 45970-1815 | 45970-1915 | 45970-2015 | 45970-2115 | 45970-2215 | 45970-2315 | 45970-2415 |
| 20 | 1.196 | 45970-2115 | 45970-2215 | 45970-2315 | 45970-2415 | 45970-2515 | 45970-2615 | 45970-2715 | 45970-2815 | 45970-2915 | 45970-3015 | 45970-3115 | 45970-3215 | 45970-3315 | 45970-3415 |
| 30 | 1.696 | 45970-3115 | 45970-3215 | 45970-3315 | 45970-3415 | 45970-3515 | 45970-3615 | 45970-3715 | 45970-3815 | 45970-3915 | 45970-4015 | 45970-4115 | 45970-4215 | 45970-4315 | 45970-4415 |
| 40 | 2.196 | 45970-4115 | 45970-4215 | 45970-4315 | 45970-4415 | 45970-4515 | 45970-4615 | 45970-4715 | 45970-4815 | 45970-4915 | 45970-5015 | 45970-5115 | 45970-5215 | 45970-5315 | 45970-5415 |
| 50 | 2.696 | 45970-5115 | 45970-5215 | 45970-5315 | 45970-5415 | 45970-5515 | 45970-5615 | 45970-5715 | 45970-5815 | 45970-5915 | 45970-6015 | 45970-6115 | 45970-6215 | 45970-6315 | 45970-6415 |
| 15 | 0.946 | 45970-6115 | 45970-6215 | 45970-6315 | 45970-6415 | 45970-6515 | 45970-6615 | 45970-6715 | 45970-6815 | 45970-6915 | 45970-7015 | 45970-7115 | 45970-7215 | 45970-7315 | 45970-7415 |
| 25 | 1.446 | 45970-7115 | 45970-7215 | 45970-7315 | 45970-7415 | 45970-7515 | 45970-7615 | 45970-7715 | 45970-7815 | 45970-7915 | 45970-8015 | 45970-8115 | 45970-8215 | 45970-8315 | 45970-8415 |
| 35 | 1.946 | 45970-8115 | 45970-8215 | 45970-8315 | 45970-8415 | 45970-8515 | 45970-8615 | 45970-8715 | 45970-8815 | 45970-8915 | 45970-9015 | 45970-9115 | 45970-9215 | 45970-9315 | 45970-9415 |
| 45 | 2.446 | 45970-9115 | 45970-9215 | 45970-9315 | 45970-9415 | 45970-9515 | 45970-9615 | 45970-9715 | 45970-9815 | 45970-9915 | 45970-10015 | 45970-10115 | 45970-10215 | 45970-10315 | 45970-10415 |

NOTES:
 1. THIS SHEET CONTAINS THE FOLLOWING OPTIONS
 ROWS: 10
 SOLDER CHARGE: TIN
 PACKAGING: TRAYS AND TAPE AND REEL

| | | | | | | | | | | | |
|--|--------------------|---------------------------------------|----------------|------------------------------|--|--------------------|--|---|--|--|--|
| SEE SHEET 1 EC NO: UCP2010-2270 DRWN: TGREGOR I 2010/03/05 CHKD: JCOMERC I 2010/03/05 APPR: JCOMERC I 2010/03/05 | DESCRIPTION REV | GENERAL TOLERANCES (UNLESS SPECIFIED) | | DIMENSION STYLE INCH ONLY | | SCALE 4:1 | DESIGN UNITS INCH | THIRD ANGLE PROJECTION | | | |
| | | | mm | INCH | DRAWN BY TGREGOR I | DATE 2005/01/27 | TITLE SEARAY PLUG ASSEMBLY .050 CENTERS | | | | |
| | | 4 PLACES | ± --- | ± --- | CHECKED BY JCOMERC I | DATE | | | | | |
| | | 3 PLACES | ± --- | ± .010 | APPROVED BY JCOMERC I | | DATE 2010/03/05 |  MOLEX INCORPORATED DOCUMENT NO. SD-45970-001 SHEET NO. 7 OF 10 | | | |
| | | 2 PLACES | ± --- | ± .015 | DRAFT WHERE APPLICABLE MUST REMAIN WITHIN DIMENSIONS | | SIZE A | | | | |
| 1 PLACE | ± --- | ± --- | ANGULAR ± ---° | | | | | | | | |

| | | | | | | | | | | |
|----|------------------------|------------|------------|-------------|-------------|-------------|-------------|-------------|-------------|-------------|
| D | TRAY PACK PK-45971-001 | DIM P: | | 2.0 MM | 3.0 MM | 3.5 MM | 2.5 MM | 4.5 MM | 5.0 MM | 7.0 MM |
| | | DIM R: | | .221 | .260 | .280 | .241 | .319 | .339 | .418 |
| | | POSITION | DIM G | MATERIAL NO | MATERIAL NO | MATERIAL NO | MATERIAL NO | MATERIAL NO | MATERIAL NO | MATERIAL NO |
| | | 19 | 1.146 | 45970-0113 | 45970-0213 | 45970-0313 | 45970-0413 | 45970-0513 | 45970-0613 | 45970-0713 |
| | | 10 | 0.696 | 45970-1113 | 45970-1213 | 45970-1313 | 45970-1413 | 45970-1513 | 45970-1613 | 45970-1713 |
| | | 20 | 1.196 | 45970-2113 | 45970-2213 | 45970-2313 | 45970-2413 | 45970-2513 | 45970-2613 | 45970-2713 |
| | | 30 | 1.696 | 45970-3113 | 45970-3213 | 45970-3313 | 45970-3413 | 45970-3513 | 45970-3613 | 45970-3713 |
| | | 40 | 2.196 | 45970-4113 | 45970-4213 | 45970-4313 | 45970-4413 | 45970-4513 | 45970-4613 | 45970-4713 |
| | | 50 | 2.696 | 45970-5113 | 45970-5213 | 45970-5313 | 45970-5413 | 45970-5513 | 45970-5613 | 45970-5713 |
| | | 15 | 0.946 | 45970-6113 | 45970-6213 | 45970-6313 | 45970-6413 | 45970-6513 | 45970-6613 | 45970-6713 |
| | | 25 | 1.446 | 45970-7113 | 45970-7213 | 45970-7313 | 45970-7413 | 45970-7513 | 45970-7613 | 45970-7713 |
| | | 35 | 1.946 | 45970-8113 | 45970-8213 | 45970-8313 | 45970-8413 | 45970-8513 | 45970-8613 | 45970-8713 |
| 45 | 2.446 | 45970-9113 | 45970-9213 | 45970-9313 | 45970-9413 | 45970-9513 | 45970-9613 | 45970-9713 | | |

| | | | | | | | | | | |
|----|---------------------------------|------------|------------|-------------|-------------|-------------|-------------|-------------|-------------|-------------|
| C | TAPE AND REEL PACK PK-45971-002 | DIM P: | | 2.0 MM | 3.0 MM | 3.5 MM | 2.5 MM | 4.5 MM | 5.0 MM | 7.0 MM |
| | | DIM R: | | .221 | .260 | .280 | .241 | .319 | .339 | .418 |
| | | POSITION | DIM G | MATERIAL NO | MATERIAL NO | MATERIAL NO | MATERIAL NO | MATERIAL NO | MATERIAL NO | MATERIAL NO |
| | | 19 | 1.146 | 45970-0117 | 45970-0217 | 45970-0317 | 45970-0417 | 45970-0517 | 45970-0617 | 45970-0717 |
| | | 10 | 0.696 | 45970-1117 | 45970-1217 | 45970-1317 | 45970-1417 | 45970-1517 | 45970-1617 | 45970-1717 |
| | | 20 | 1.196 | 45970-2117 | 45970-2217 | 45970-2317 | 45970-2417 | 45970-2517 | 45970-2617 | 45970-2717 |
| | | 30 | 1.696 | 45970-3117 | 45970-3217 | 45970-3317 | 45970-3417 | 45970-3517 | 45970-3617 | 45970-3717 |
| | | 40 | 2.196 | 45970-4117 | 45970-4217 | 45970-4317 | 45970-4417 | 45970-4517 | 45970-4617 | 45970-4717 |
| | | 50 | 2.696 | 45970-5117 | 45970-5217 | 45970-5317 | 45970-5417 | 45970-5517 | 45970-5617 | 45970-5717 |
| | | 15 | 0.946 | 45970-6117 | 45970-6217 | 45970-6317 | 45970-6417 | 45970-6517 | 45970-6617 | 45970-6717 |
| | | 25 | 1.446 | 45970-7117 | 45970-7217 | 45970-7317 | 45970-7417 | 45970-7517 | 45970-7617 | 45970-7717 |
| | | 35 | 1.946 | 45970-8117 | 45970-8217 | 45970-8317 | 45970-8417 | 45970-8517 | 45970-8617 | 45970-8717 |
| 45 | 2.446 | 45970-9117 | 45970-9217 | 45970-9317 | 45970-9417 | 45970-9517 | 45970-9617 | 45970-9717 | | |

NOTES:
1. THIS SHEET CONTAINS THE FOLLOWING OPTIONS
ROWS: 10
SOLDER CHARGE: TIN / LEAD
PACKAGING: TRAYS AND TAPE AND REEL

| | | | | | | | | | | |
|--|-------------|---------------------------------------|-------|--|--------------------------|---------------------|---|------------------------|----------------------|--|
| SEE SHEET 1 EC NO: UCP2010-2270 DRWN: TGREGOR I 2010/03/05 CHKD: JCOMERC I 2010/03/05 APPR: JCOMERC I 2010/03/05 | DESCRIPTION | GENERAL TOLERANCES (UNLESS SPECIFIED) | | DIMENSION STYLE INCH ONLY | | SCALE 4:1 | DESIGN UNITS INCH | THIRD ANGLE PROJECTION | | |
| | | | mm | INCH | DRAWN BY TGREGOR I | DATE 2005/01/27 | TITLE SEARAY PLUG ASSEMBLY .050 CENTERS | | | |
| | | 4 PLACES | ± --- | ± --- | CHECKED BY JCOMERC I | DATE | | | | |
| | | 3 PLACES | ± --- | ± .010 | APPROVED BY JCOMERC I | DATE 2010/03/05 | | | | |
| | | 2 PLACES | ± --- | ± .015 | MOLEX | | MOLEX INCORPORATED | | | |
| | | 1 PLACE | ± --- | ± --- | DOCUMENT NO. | | SD-45970-001 | | SHEET NO. 8 OF 10 | |
| DRAFT WHERE APPLICABLE MUST REMAIN WITHIN DIMENSIONS | | ANGULAR ± ---° | | THIS DRAWING CONTAINS INFORMATION THAT IS PROPRIETARY TO MOLEX INCORPORATED AND SHOULD NOT BE USED WITHOUT WRITTEN PERMISSION | | | | | | |

| 6 | | 5 | | 4 | | 3 | | 2 | | 1 | | | | | |
|----------|-------|-------------|-------------|-------------|-------------|-------------|-------------|-------------|-------------|-------------|-------------|-------------|-------------|-------------|-------------|
| DIM P: | | 2.0 MM | | 3.0 MM | | 3.5 MM | | 2.5 MM | | 4.5 MM | | 5.0 MM | | 7.0 MM | |
| DIM R: | | .221 | | .260 | | .280 | | .241 | | .319 | | .339 | | .418 | |
| POSITION | DIM G | MATERIAL NO | MATERIAL NO | MATERIAL NO | MATERIAL NO | MATERIAL NO | MATERIAL NO | MATERIAL NO | MATERIAL NO | MATERIAL NO | MATERIAL NO | MATERIAL NO | MATERIAL NO | MATERIAL NO | MATERIAL NO |
| 19 | 1.146 | 45970-0121 | 45970-0221 | 45970-0321 | 45970-0421 | 45970-0521 | 45970-0621 | 45970-0721 | 45970-0821 | 45970-0921 | 45970-1021 | 45970-1121 | 45970-1221 | 45970-1321 | 45970-1421 |
| 10 | 0.696 | 45970-1121 | 45970-1221 | 45970-1321 | 45970-1421 | 45970-1521 | 45970-1621 | 45970-1721 | 45970-1821 | 45970-1921 | 45970-2021 | 45970-2121 | 45970-2221 | 45970-2321 | 45970-2421 |
| 20 | 1.196 | 45970-2121 | 45970-2221 | 45970-2321 | 45970-2421 | 45970-2521 | 45970-2621 | 45970-2721 | 45970-2821 | 45970-2921 | 45970-3021 | 45970-3121 | 45970-3221 | 45970-3321 | 45970-3421 |
| 30 | 1.696 | 45970-3121 | 45970-3221 | 45970-3321 | 45970-3421 | 45970-3521 | 45970-3621 | 45970-3721 | 45970-3821 | 45970-3921 | 45970-4021 | 45970-4121 | 45970-4221 | 45970-4321 | 45970-4421 |
| 40 | 2.196 | 45970-4121 | 45970-4221 | 45970-4321 | 45970-4421 | 45970-4521 | 45970-4621 | 45970-4721 | 45970-4821 | 45970-4921 | 45970-5021 | 45970-5121 | 45970-5221 | 45970-5321 | 45970-5421 |
| 50 | 2.696 | 45970-5121 | 45970-5221 | 45970-5321 | 45970-5421 | 45970-5521 | 45970-5621 | 45970-5721 | 45970-5821 | 45970-5921 | 45970-6021 | 45970-6121 | 45970-6221 | 45970-6321 | 45970-6421 |
| 15 | 0.946 | 45970-6121 | 45970-6221 | 45970-6321 | 45970-6421 | 45970-6521 | 45970-6621 | 45970-6721 | 45970-6821 | 45970-6921 | 45970-7021 | 45970-7121 | 45970-7221 | 45970-7321 | 45970-7421 |
| 25 | 1.446 | 45970-7121 | 45970-7221 | 45970-7321 | 45970-7421 | 45970-7521 | 45970-7621 | 45970-7721 | 45970-7821 | 45970-7921 | 45970-8021 | 45970-8121 | 45970-8221 | 45970-8321 | 45970-8421 |
| 35 | 1.946 | 45970-8121 | 45970-8221 | 45970-8321 | 45970-8421 | 45970-8521 | 45970-8621 | 45970-8721 | 45970-8821 | 45970-8921 | 45970-9021 | 45970-9121 | 45970-9221 | 45970-9321 | 45970-9421 |
| 45 | 2.446 | 45970-9121 | 45970-9221 | 45970-9321 | 45970-9421 | 45970-9521 | 45970-9621 | 45970-9721 | 45970-9821 | 45970-9921 | 45970-10021 | 45970-10121 | 45970-10221 | 45970-10321 | 45970-10421 |

| 6 | | 5 | | 4 | | 3 | | 2 | | 1 | | | | | |
|----------|-------|-------------|-------------|-------------|-------------|-------------|-------------|-------------|-------------|-------------|-------------|-------------|-------------|-------------|-------------|
| DIM P: | | 2.0 MM | | 3.0 MM | | 3.5 MM | | 2.5 MM | | 4.5 MM | | 5.0 MM | | 7.0 MM | |
| DIM R: | | .221 | | .260 | | .280 | | .241 | | .319 | | .339 | | .418 | |
| POSITION | DIM G | MATERIAL NO | MATERIAL NO | MATERIAL NO | MATERIAL NO | MATERIAL NO | MATERIAL NO | MATERIAL NO | MATERIAL NO | MATERIAL NO | MATERIAL NO | MATERIAL NO | MATERIAL NO | MATERIAL NO | MATERIAL NO |
| 19 | 1.146 | 45970-0125 | 45970-0225 | 45970-0325 | 45970-0425 | 45970-0525 | 45970-0625 | 45970-0725 | 45970-0825 | 45970-0925 | 45970-1025 | 45970-1125 | 45970-1225 | 45970-1325 | 45970-1425 |
| 10 | 0.696 | 45970-1125 | 45970-1225 | 45970-1325 | 45970-1425 | 45970-1525 | 45970-1625 | 45970-1725 | 45970-1825 | 45970-1925 | 45970-2025 | 45970-2125 | 45970-2225 | 45970-2325 | 45970-2425 |
| 20 | 1.196 | 45970-2125 | 45970-2225 | 45970-2325 | 45970-2425 | 45970-2525 | 45970-2625 | 45970-2725 | 45970-2825 | 45970-2925 | 45970-3025 | 45970-3125 | 45970-3225 | 45970-3325 | 45970-3425 |
| 30 | 1.696 | 45970-3125 | 45970-3225 | 45970-3325 | 45970-3425 | 45970-3525 | 45970-3625 | 45970-3725 | 45970-3825 | 45970-3925 | 45970-4025 | 45970-4125 | 45970-4225 | 45970-4325 | 45970-4425 |
| 40 | 2.196 | 45970-4125 | 45970-4225 | 45970-4325 | 45970-4425 | 45970-4525 | 45970-4625 | 45970-4725 | 45970-4825 | 45970-4925 | 45970-5025 | 45970-5125 | 45970-5225 | 45970-5325 | 45970-5425 |
| 50 | 2.696 | 45970-5125 | 45970-5225 | 45970-5325 | 45970-5425 | 45970-5525 | 45970-5625 | 45970-5725 | 45970-5825 | 45970-5925 | 45970-6025 | 45970-6125 | 45970-6225 | 45970-6325 | 45970-6425 |
| 15 | 0.946 | 45970-6125 | 45970-6225 | 45970-6325 | 45970-6425 | 45970-6525 | 45970-6625 | 45970-6725 | 45970-6825 | 45970-6925 | 45970-7025 | 45970-7125 | 45970-7225 | 45970-7325 | 45970-7425 |
| 25 | 1.446 | 45970-7125 | 45970-7225 | 45970-7325 | 45970-7425 | 45970-7525 | 45970-7625 | 45970-7725 | 45970-7825 | 45970-7925 | 45970-8025 | 45970-8125 | 45970-8225 | 45970-8325 | 45970-8425 |
| 35 | 1.946 | 45970-8125 | 45970-8225 | 45970-8325 | 45970-8425 | 45970-8525 | 45970-8625 | 45970-8725 | 45970-8825 | 45970-8925 | 45970-9025 | 45970-9125 | 45970-9225 | 45970-9325 | 45970-9425 |
| 45 | 2.446 | 45970-9125 | 45970-9225 | 45970-9325 | 45970-9425 | 45970-9525 | 45970-9625 | 45970-9725 | 45970-9825 | 45970-9925 | 45970-10025 | 45970-10125 | 45970-10225 | 45970-10325 | 45970-10425 |

NOTES:
 1. THIS SHEET CONTAINS THE FOLLOWING OPTIONS
 ROWS: 12
 SOLDER CHARGE: TIN
 PACKAGING: TRAYS AND TAPE AND REEL

| | | | | | | | | | | |
|---|--------------------|---------------------------------------|--|------------------------------|-------------------------|---|--|--|--|--|
| SEE SHEET 1 EC NO: UCP2010-2270 DRWN: TGREGORI 2010/03/05 CHKD: JCOMERCI 2010/03/05 APPR: JCOMERCI 2010/03/05 | DESCRIPTION REV | GENERAL TOLERANCES (UNLESS SPECIFIED) | | DIMENSION STYLE INCH ONLY | | SCALE 4:1 | DESIGN UNITS INCH | THIRD ANGLE PROJECTION | | |
| | | | mm | INCH | DRAWN BY TGREGORI | DATE 2005/01/27 | TITLE SEARAY PLUG ASSEMBLY .050 CENTERS | | | |
| | | 4 PLACES | ± --- | ± --- | CHECKED BY JCOMERCI | DATE | | | | |
| | | 3 PLACES | ± --- | ± .010 | APPROVED BY JCOMERCI | | DATE 2010/03/05 | MOLEX INCORPORATED DOCUMENT NO. SD-45970-001 | | |
| 2 PLACES | ± --- | ± .015 | DRAFT WHERE APPLICABLE MUST REMAIN WITHIN DIMENSIONS | | DATE | SHEET NO. 9 OF 10 | | | | |
| 1 PLACE | ± --- | ± --- | | | | | | | | |
| | | ANGULAR ± ---° | | | | | | | | |
| | | | | SIZE A | | THIS DRAWING CONTAINS INFORMATION THAT IS PROPRIETARY TO MOLEX INCORPORATED AND SHOULD NOT BE USED WITHOUT WRITTEN PERMISSION | | | | |

| | | | | | | | | | | |
|----|------------------------|------------|------------|-------------|-------------|-------------|-------------|-------------|-------------|-------------|
| D | TRAY PACK PK-45971-001 | DIM P: | | 2.0 MM | 3.0 MM | 3.5 MM | 2.5 MM | 4.5 MM | 5.0 MM | 7.0 MM |
| | | DIM R: | | .221 | .260 | .280 | .241 | .319 | .339 | .418 |
| | | POSITION | DIM G | MATERIAL NO | MATERIAL NO | MATERIAL NO | MATERIAL NO | MATERIAL NO | MATERIAL NO | MATERIAL NO |
| | | 19 | 1.146 | 45970-0123 | 45970-0223 | 45970-0323 | 45970-0423 | 45970-0523 | 45970-0623 | 45970-0723 |
| | | 10 | 0.696 | 45970-1123 | 45970-1223 | 45970-1323 | 45970-1423 | 45970-1523 | 45970-1623 | 45970-1723 |
| | | 20 | 1.196 | 45970-2123 | 45970-2223 | 45970-2323 | 45970-2423 | 45970-2523 | 45970-2623 | 45970-2723 |
| | | 30 | 1.696 | 45970-3123 | 45970-3223 | 45970-3323 | 45970-3423 | 45970-3523 | 45970-3623 | 45970-3723 |
| | | 40 | 2.196 | 45970-4123 | 45970-4223 | 45970-4323 | 45970-4423 | 45970-4523 | 45970-4623 | 45970-4723 |
| | | 50 | 2.696 | 45970-5123 | 45970-5223 | 45970-5323 | 45970-5423 | 45970-5523 | 45970-5623 | 45970-5723 |
| | | 15 | 0.946 | 45970-6123 | 45970-6223 | 45970-6323 | 45970-6423 | 45970-6523 | 45970-6623 | 45970-6723 |
| | | 25 | 1.446 | 45970-7123 | 45970-7223 | 45970-7323 | 45970-7423 | 45970-7523 | 45970-7623 | 45970-7723 |
| | | 35 | 1.946 | 45970-8123 | 45970-8223 | 45970-8323 | 45970-8423 | 45970-8523 | 45970-8623 | 45970-8723 |
| 45 | 2.446 | 45970-9123 | 45970-9223 | 45970-9323 | 45970-9423 | 45970-9523 | 45970-9623 | 45970-9723 | | |

| | | | | | | | | | | |
|----|---------------------------------|------------|------------|-------------|-------------|-------------|-------------|-------------|-------------|-------------|
| C | TAPE AND REEL PACK PK-45971-002 | DIM P: | | 2.0 MM | 3.0 MM | 3.5 MM | 2.5 MM | 4.5 MM | 5.0 MM | 7.0 MM |
| | | DIM R: | | .221 | .260 | .280 | .241 | .319 | .339 | .418 |
| | | POSITION | DIM G | MATERIAL NO | MATERIAL NO | MATERIAL NO | MATERIAL NO | MATERIAL NO | MATERIAL NO | MATERIAL NO |
| | | 19 | 1.146 | 45970-0127 | 45970-0227 | 45970-0327 | 45970-0427 | 45970-0527 | 45970-0627 | 45970-0727 |
| | | 10 | 0.696 | 45970-1127 | 45970-1227 | 45970-1327 | 45970-1427 | 45970-1527 | 45970-1627 | 45970-1727 |
| | | 20 | 1.196 | 45970-2127 | 45970-2227 | 45970-2327 | 45970-2427 | 45970-2527 | 45970-2627 | 45970-2727 |
| | | 30 | 1.696 | 45970-3127 | 45970-3227 | 45970-3327 | 45970-3427 | 45970-3527 | 45970-3627 | 45970-3727 |
| | | 40 | 2.196 | 45970-4127 | 45970-4227 | 45970-4327 | 45970-4427 | 45970-4527 | 45970-4627 | 45970-4727 |
| | | 50 | 2.696 | 45970-5127 | 45970-5227 | 45970-5327 | 45970-5427 | 45970-5527 | 45970-5627 | 45970-5727 |
| | | 15 | 0.946 | 45970-6127 | 45970-6227 | 45970-6327 | 45970-6427 | 45970-6527 | 45970-6627 | 45970-6727 |
| | | 25 | 1.446 | 45970-7127 | 45970-7227 | 45970-7327 | 45970-7427 | 45970-7527 | 45970-7627 | 45970-7727 |
| | | 35 | 1.946 | 45970-8127 | 45970-8227 | 45970-8327 | 45970-8427 | 45970-8527 | 45970-8627 | 45970-8727 |
| 45 | 2.446 | 45970-9127 | 45970-9227 | 45970-9327 | 45970-9427 | 45970-9527 | 45970-9627 | 45970-9727 | | |

NOTES:
 1. THIS SHEET CONTAINS THE FOLLOWING OPTIONS
 ROWS: 12
 SOLDER CHARGE: TIN / LEAD
 PACKAGING: TRAYS AND TAPE AND REEL

| | | | | | | | | | | |
|---|--------------------|---------------------------------------|--|-------------------------------------|-------------------------|--|---|------------------------|-------------------------------------|-----------------------|
| SEE SHEET 1 EC NO: UCP2010-2270 DRWN: TGREGORI 2010/03/05 CHKD: JCOMERCI 2010/03/05 APPR: JCOMERCI 2010/03/05 | DESCRIPTION REV | GENERAL TOLERANCES (UNLESS SPECIFIED) | | DIMENSION STYLE INCH ONLY | | SCALE 4:1 | DESIGN UNITS INCH | THIRD ANGLE PROJECTION | | |
| | | | mm | INCH | DRAWN BY TGREGORI | DATE 2005/01/27 | TITLE SEARAY PLUG ASSEMBLY .050 CENTERS | | | |
| | | 4 PLACES | ± --- | ± --- | CHECKED BY JCOMERCI | DATE | | | | |
| | | 3 PLACES | ± --- | ± .010 | APPROVED BY JCOMERCI | DATE 2010/03/05 | | | | |
| | | 2 PLACES | ± --- | ± .015 | ANGULAR ± ---° | | MOLEX INCORPORATED | | DOCUMENT NO. SD-45970-001 | SHEET NO. 10 OF 10 |
| 1 PLACE | ± --- | ± --- | DRAFT WHERE APPLICABLE MUST REMAIN WITHIN DIMENSIONS | | SIZE A | THIS DRAWING CONTAINS INFORMATION THAT IS PROPRIETARY TO MOLEX INCORPORATED AND SHOULD NOT BE USED WITHOUT WRITTEN PERMISSION | | | | |