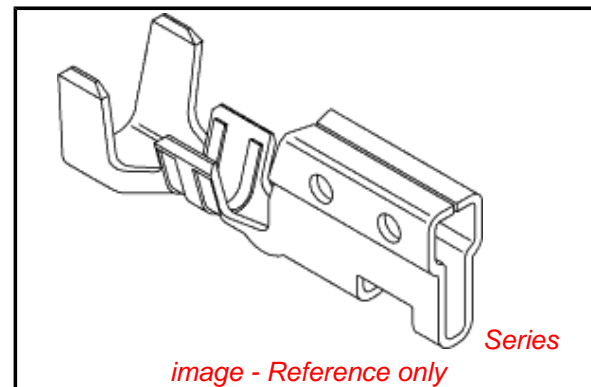


PLEASE CHECK WWW.MOLEX.COM FOR LATEST PART INFORMATION

Part Number: **0039000022**
Status: **Active**
Overview: [spox_bmi](#)
Description: SPOX™ Crimp Terminal 5194, 18-24 AWG, Phosphor Bronze, Bag

Documents:

Drawing (PDF)	Product Specification PS-5195-007 (PDF)
Product Specification PS-5195-004 (PDF)	Product Specification PS-5197-005 (PDF)
Product Specification PS-5195-005 (PDF)	RoHS Certificate of Compliance (PDF)
Product Specification PS-5195-006 (PDF)	



General

Product Family	Crimp Terminals
Series	5194
Crimp Quality Equipment	Yes
Overview	spox_bmi
Product Name	SPOX™

Physical

Gender	Female
Material - Metal	Phosphor Bronze
Material - Plating Mating	Tin
Material - Plating Termination	Tin
Packaging Type	Bag
Plating min: Mating (µin)	36
Plating min: Mating (µm)	0.90
Plating min: Termination (µin)	36
Plating min: Termination (µm)	0.90
Termination Interface: Style	Crimp or Compression
Wire Insulation Diameter	1.30-3.20mm (.051-.126")
Wire Size AWG	18, 20, 22, 24
Wire Size mm²	N/A

Material Info

Old Part Number	5194PBTL
-----------------	----------

Reference - Drawing Numbers

Packaging Specification	SPK-5194-001
Product Specification	PS-5195-004, PS-5195-005, PS-5195-006, PS-5195-007, PS-5197-005, RPS-5195-001
Sales Drawing	SD-5194-001

EU RoHS

ELV and RoHS Compliant
REACH SVHC
 Not Reviewed
Halogen-Free Status
 Not Reviewed

China RoHS



Need more information on product environmental compliance?

Email productcompliance@molex.com
 For a multiple part number RoHS Certificate of Compliance, [click here](#)

Please visit the [Contact Us](#) section for any non-product compliance questions.

Search Parts in this Series

5194Series

Use With

5195 , 5196 , 5197 , 5198 , 5199

Application Tooling | FAQ

Tooling specifications and manuals are found by selecting the products below. Crimp Height Specifications are then contained in the Application Tooling Specification document.

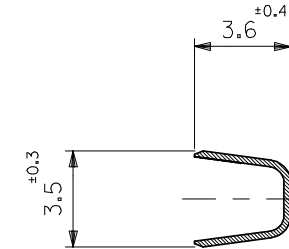
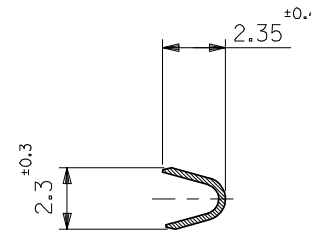
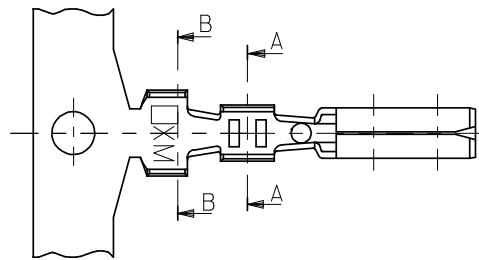
Global

Description	Product #
Hand Crimp Tool	0638116500

Japan

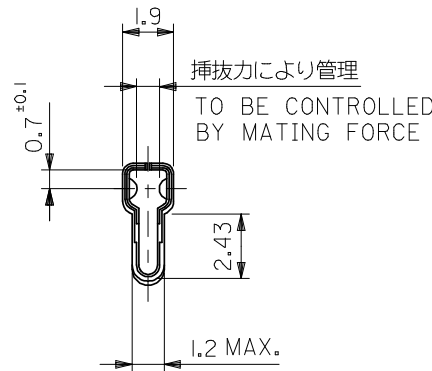
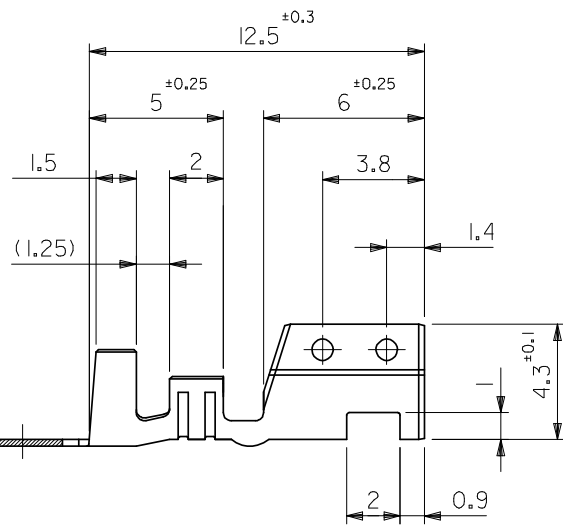
Description	Product #
Hand Crimp Tool	0011260058
JHTR5904	
Hand Extraction Tool	0011260100

PLEASE CHECK WWW.MOLEX.COM FOR LATEST PART INFORMATION



断面 A-A
SECT.A-A

断面 B-B
SECT.B-B



注記
NOTES

1. 適合ハウジング : 5195-N* , 5196-N*
 APPLICABLE HOUSING 5197-N* , 5198-N*
 5199-N*

材料	表面処理	EDP NO.	ENG. NO.	端子形状
錫メッキ済リン青銅	Sn : 0.9 μ MIN	39-00-0022	5194PBT	バラ状 LOOSE
PRE-TINNED PHOSPHOR BRONZE		39-00-0021	5194PBT	連鎖状 CHAIN
錫メッキ済黄銅	Sn : 0.9 μ MIN, Cu : 0.5 μ MIN	08-70-1030	5194TL	バラ状 LOOSE
PRE-TINNED BRASS		08-70-1031	5194T	連鎖状 CHAIN
MATERIAL	FINISH	EDP NO.	ENG. NO.	端子形状 FORM

材料	表参照 SEE TABLE
MATERIAL	板厚: 0.254 (t=0.254)
仕上げ	表参照 SEE TABLE
FINISH	
適用電線範囲	AWG #18-#24
WIRE RANGE	
被覆外径	ϕ 1.3 - ϕ 3.2
INS. RANGE	

REVISED EC NO: J2008-3351 DRWN:WABEI 2008/03/24 CHKD:THARUYAMA 2008/03/24 APPR:NUKITA 2008/03/24	GENERAL TOLERANCES (UNLESS SPECIFIED)	
	10 UNDER	\pm 0.2
	10 OVER 30 UNDER	\pm 0.25
	30 OVER	\pm 0.3
	ANGULAR	\pm 3 °
DRAFT WHERE APPLICABLE MUST REMAIN WITHIN DIMENSIONS		

DIMENSION STYLE MM ONLY		SCALE 5:1	DESIGN UNITS METRIC	THIRD ANGLE PROJECTION
DRAWN BY K.HASHIMOTO	DATE '96/05/21	TITLE SPOX CRIMP RECEPTACLE		
CHECKED BY S.KUNISHI	DATE '98/07/07	APPROVED BY M.FUKUSHIMA '98/07/07		
MATERIAL NO. SEE TABLE		DOCUMENT NO. SD-5194-001		SHEET NO. 1 OF 1
THIS DRAWING CONTAINS INFORMATION THAT IS PROPRIETARY TO MOLEX INCORPORATED AND SHOULD NOT BE USED WITHOUT WRITTEN PERMISSION				