

**PLEASE CHECK WWW.MOLEX.COM FOR LATEST PART INFORMATION**

**Part Number:** [0002095102](#)  
**Status:** **Active**  
**Overview:** [standard\\_093](#)  
**Description:** 2.36mm (.093") Diameter, Standard .093" Pin and Socket Crimp Terminal, Series 1189, Female, with Selective Gold (Au) Plated Brass Contact, 14-20 AWG, Reel

**Documents:**

[Drawing \(PDF\)](#) [RoHS Certificate of Compliance \(PDF\)](#)  
[Product Specification PS-02-09 \(PDF\)](#)

**General**

Product Family	Crimp Terminals
Series	<a href="#">1189</a>
Crimp Quality Equipment	Yes
Overview	<a href="#">standard_093</a>
Product Name	Standard .093"

**Physical**

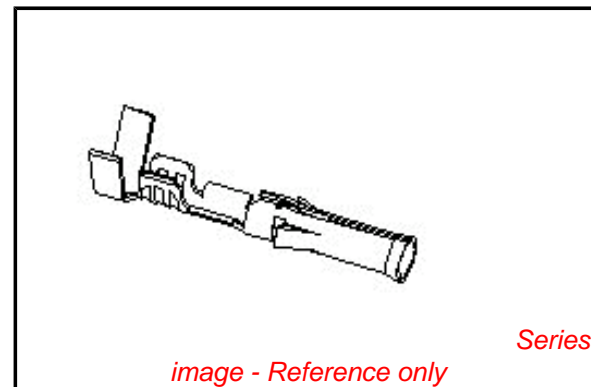
Gender	Female
Material - Metal	Brass
Material - Plating Mating	Gold
Material - Plating Termination	Nickel
Packaging Type	Reel
Plating min: Mating (µin)	50
Plating min: Mating (µm)	1.27
Plating min: Termination (µin)	50
Plating min: Termination (µm)	1.27
Termination Interface: Style	Crimp or Compression
Wire Insulation Diameter	1.65-4.06mm (.065-.160")
Wire Size AWG	14, 16, 18, 20
Wire Size mm <sup>2</sup>	N/A

**Material Info**

Old Part Number 1189-A(P591)

**Reference - Drawing Numbers**

Product Specification [PS-02-09](#)  
 Sales Drawing [SD-1189\\*](#)



**EU RoHS**

**ELV and RoHS  
Compliant**  
**REACH SVHC  
Contains SVHC: No**  
**Halogen-Free  
Status**

**China RoHS**



**Need more information on product  
environmental compliance?**

Email [productcompliance@molex.com](mailto:productcompliance@molex.com)  
 For a multiple part number RoHS Certificate of Compliance, [click here](#)

Please visit the [Contact Us](#) section for any non-product compliance questions.

**Search Parts in this Series**

[1189Series](#)

**Application Tooling | [FAQ](#)**

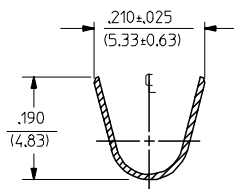
*Tooling specifications and manuals are found by selecting the products below. Crimp Height Specifications are then contained in the Application Tooling Specification document.*

**Global**

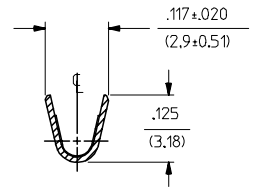
Description	Product #
Mini-Mac™ Applicator	<a href="#">0638927100</a>
Mini-Mac™ Applicator	<a href="#">0638927300</a>
Insertion Tool	<a href="#">0011020003</a>
Extraction Tool	<a href="#">0011030006</a>
Terminator Die	<a href="#">0011402001</a>
Hand Crimper - DISTRIBUTION ONLY	<a href="#">0638111000</a>

**PLEASE CHECK [WWW.MOLEX.COM](http://WWW.MOLEX.COM) FOR LATEST PART INFORMATION**

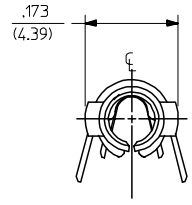
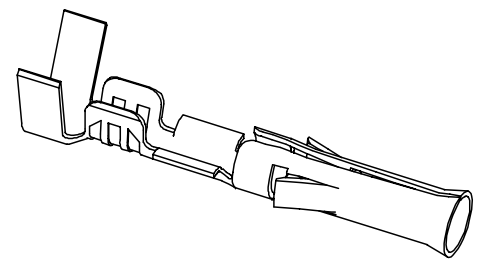
PART NO.	ENG. NO.
02-09-1104	1189-A(P901)L
02-09-1102	1189-A(P901)
02-09-5111	1189-A(P591)L
02-09-5102	1189-A(P591)
02-09-5106	1189-A(P550)L
02-09-5100	1189-A(P550)



SECT. "A-A"



SECT. "B-B"



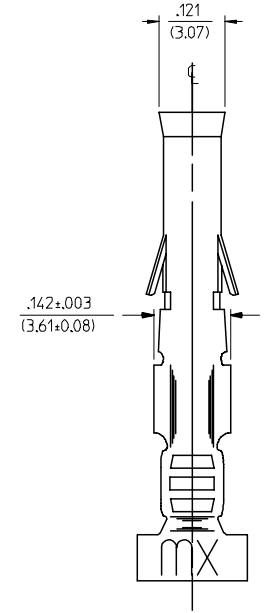
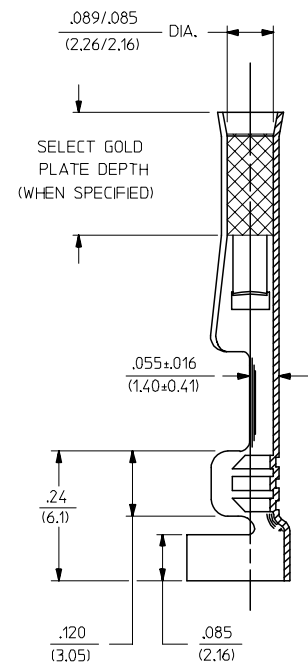
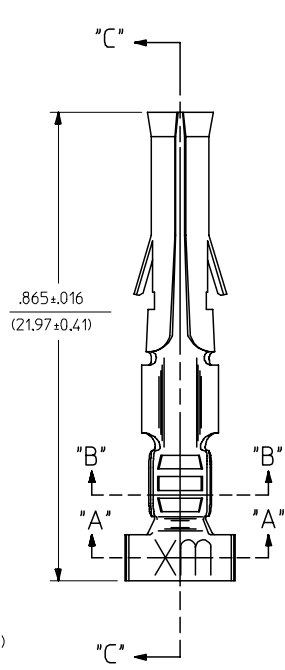
**LEGEND**

1189-A(\*\*\*\*)\*

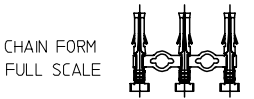
P=PREPLATE  
BLANK=POSTPLATE

FORM  
BLANK=CHAIN  
L=LOOSE

FINISH CODE



SECT. "C-C"



- NOTES:
- MATERIAL: CARTRIDGE BRASS, ALLOY #C26000, .010/(0.25) THICK
  - FINISH CODES:
    - 901 HOT TIN DIP .000020/(0.00051) MIN.
    - 591 SELECT GOLD PLATE .000050/(0.00127) MIN. IN CONTACT AREA, OVER .000050/(0.00127) MIN. NICKEL OVERALL WITH .000010/(0.00025) MAX. GOLD FLASH OVERALL.
    - 550 SELECT GOLD PLATE .000015/(0.00038) MIN. IN CONTACT AREA, OVER .000030/(0.00076) MIN. NICKEL OVERALL WITH .000010/(0.00025) MAX. GOLD FLASH OVERALL.
  - \*THE PRIMARY SHIPPING CARTON WILL BE LABELED, "COMPLIANT TO RoHS DIRECTIVE 2002/95/EC AND ELV ANNEX OF DIRECTIVE 2000/53/EC", AND CARTONS WITHOUT THIS LABEL MAY CONTAIN PRODUCT WITH TIN-LEAD.
  - THIS PART CONFORMS TO PROD. SPEC. 02-09.
  - PACKAGING INFORMATION: NOT AVAILABLE
  - TERMINAL FOR USE WITH .093/(2.36) SERIES HOUSINGS AND WILL ACCEPT 14 THRU 20 AWG WIRE.
  - INSERTION FORCE: 3.5 LBS. MAX. WHEN TERMINAL IS INSERTED INTO AN .093 SERIES HOUSING.
  - RETENTION: 20 LBS. MIN. FROM HOUSING.

ADDED PARTS EC NO: UCP2006-1061 DRAWN/PETERSON 2005/11/18 CHKD:FSM TH 2005/11/29 APPR:FSM TH 2005/12/02 REV: C1	QUALITY SYMBOLS 	GENERAL TOLERANCES (UNLESS SPECIFIED)		DIMENSION STYLE		SCALE	DESIGN UNITS	THIRD ANGLE PROJECTION		
		mm	INCH	IN/MM		6:1	INCH			
		4 PLACES ± --- ± ---	3 PLACES ± --- ± .010	DRAWN BY	DATE	TITLE				
		2 PLACES ± 0.25 ± .014	1 PLACE ± 0.35 ± ---	GEP	1987/10/26	CRIMP TERMINAL, FEMALE, .093/(2.36) DIA. 14-20 AWG				
ANGULAR ±1/2°		APPROVED BY		DATE	MATERIAL NO.					
DRAFT WHERE APPLICABLE MUST REMAIN WITHIN DIMENSIONS		RAS		1987/10/26	DOCUMENT NO.					
		SEE CHART		SD-1189-*						
		MATERIAL NO.		SHEET NO.						
		SIZE		1 OF 1						
		THIS DRAWING CONTAINS INFORMATION THAT IS PROPRIETARY TO MOLEX INCORPORATED AND SHOULD NOT BE USED WITHOUT WRITTEN PERMISSION								