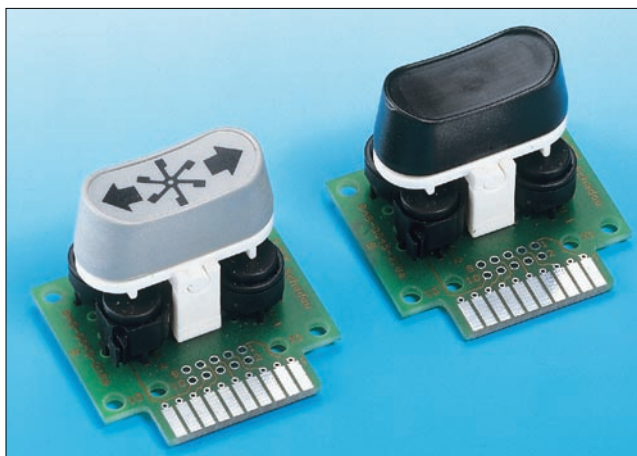


RS1 and RS2 Rocker Switch Modules



The two rocker switch modules RS1 and RS2 are designed to be installed into equipment, panels, multi-function grips or other switching units.

RS1

This module has 2 functions consisting of two directional movements.

RS2

With the RS2 a double switch function is available in each of the two directions. Proven applications of the RS2 include car windows, machine control units and locomotives.

The rocker switch modules consist of

- RS1: 2 K12 switches
- RS2: 4 K12 switches
- Rocker
- PC board

The button of the rocker switch can be designed according to customer's requirements. The available button KRSA can be delivered separately or mounted.

In the drawing, you'll find a standard PC board with respective dimensions. According to the design IP 67 according to DIN/ISO 529 is possible (dust tight and protected against the effects of immersion in water).

Also, the graphics on the labels of the rocker switch modules can be designed according to customer's requirement. Standard graphics with arrows are available: see above photo.

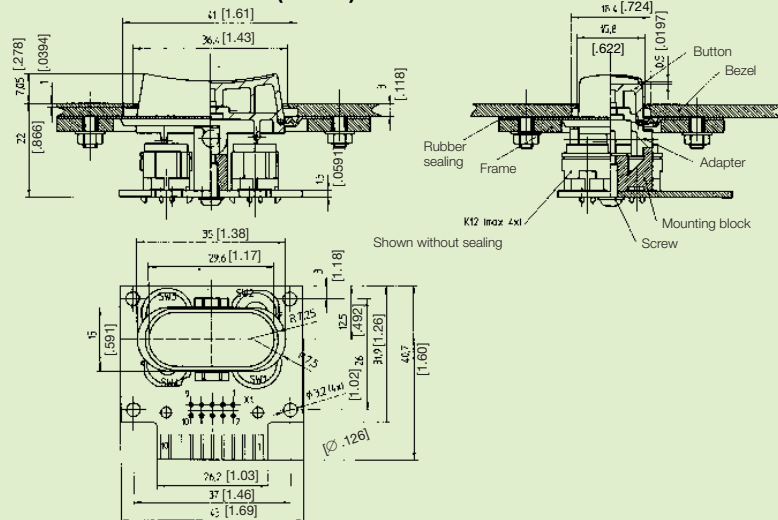
Technical data		
2 types		RS1 with two K12 switches RS2 with four K12 switches
Dimensions (length, width, height)		RS1: 43 × 40 × 27 mm RS2: 43 × 41 × 30 mm
Material	Button	PBT
	Housing and Rocker	PC/ASA-Blend
Connections		Connectors soldered, screwed or plugged in
Main features of K12		Tactile feedback, positive snap-point (further details of the K12 key switch see K12 section)
Function	RS1	1 make contact per direction (two functions maximum)
	RS2	2 make contacts per direction (four functions maximum)
Operating life		≧ 10 ⁶ operations
Operating temperature		- 25°C to + 85°C
Storage temperature		- 40°C to + 85°C
Protection class		With sealing: IP 67 acc. to DIN/IEC 529. Dust tight and protected against the effects of immersion in water in the button area.
Graphics on the labels		Upon request

The rocker switch modules as standard version are also sold in small quantities.

For further technical details and specific applications, please contact ITT Cannon Switch Products.

Dimensional Drawings · Dimensions in mm [inch]

RS2 Rocker Switch Module (shown)



Ordering code

1 Designation: RS1, RS2 (button mounted)

Example: **1** RS1