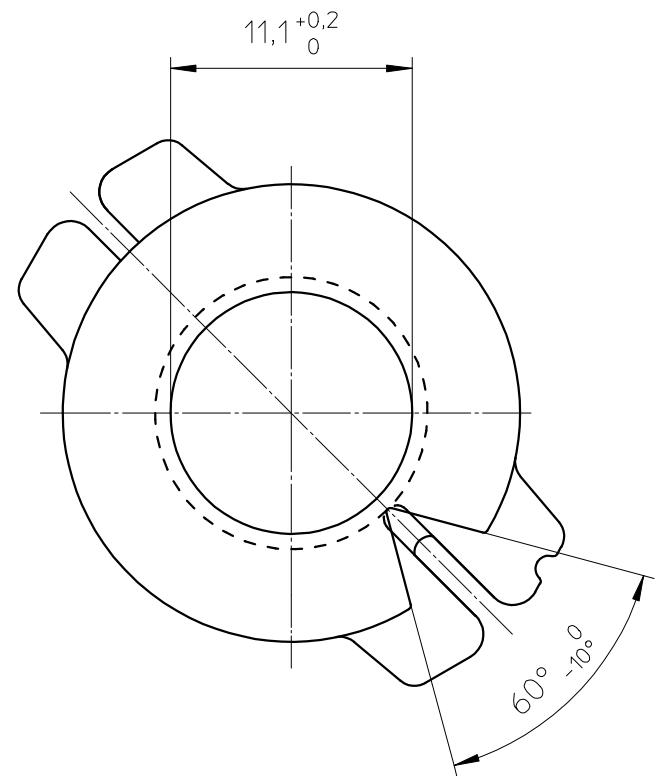
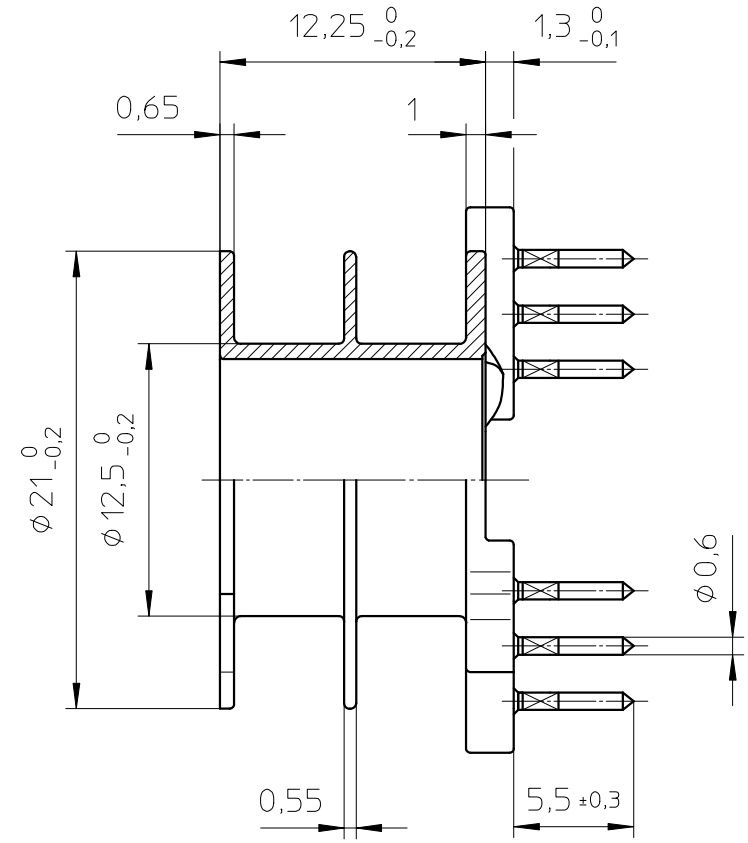
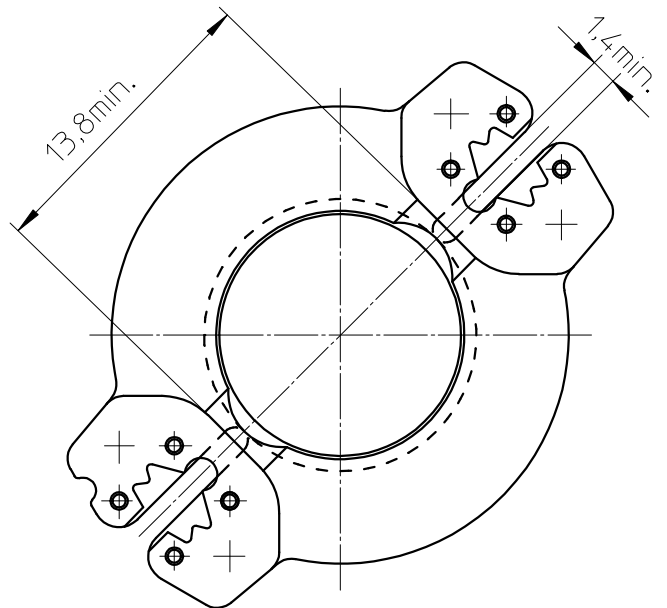
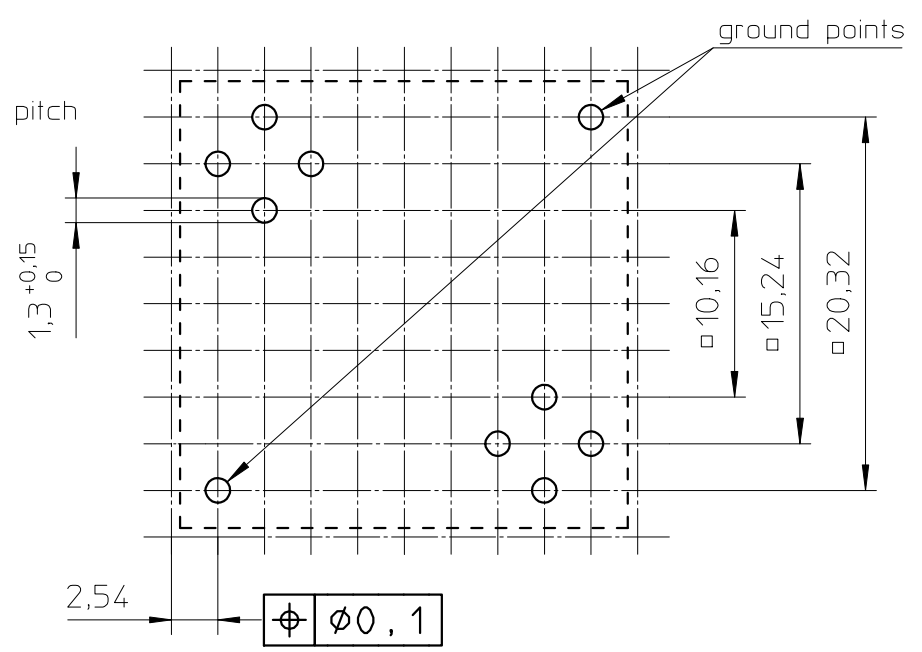


**FERROXCUBE**



HOLE PATTERN:  
Space requirement 10x10 pitch



Coil former material: Bakelite UP 3420, glass-reinforced  
UL file number: E61040 - UL94V-0.  
Pin material: CuSn - Ni flash, Sn plated.  
Max. operating temp.: acc. to IEC 60 085 class F, 155°C  
Resistance to soldering heat: acc. to IEC 60 068-2-20 Part 2, Test Tb, method 1B 350°C-3.5sec.  
Solderability: acc. to IEC 60 068-2-20 Part 2, Test Ta, method 1, 235°C-2sec.  
Winding area: 42,7 mm.<sup>2</sup>  
Mean length of turn: 52,3mm.

CLASS.NO.	90-01-26		112 - 001		010	A3
NAME NAAM	M.Veekens		SUPERS. VERV.	1	112 - 001	010
CHECK CONTR.	MPA		DAT.	89-04-05	© FERROXCUBE 2000	
			4322 021 34782		04-09-28 2005-09-01 97-04-18 00-05-02 00-08-01	