

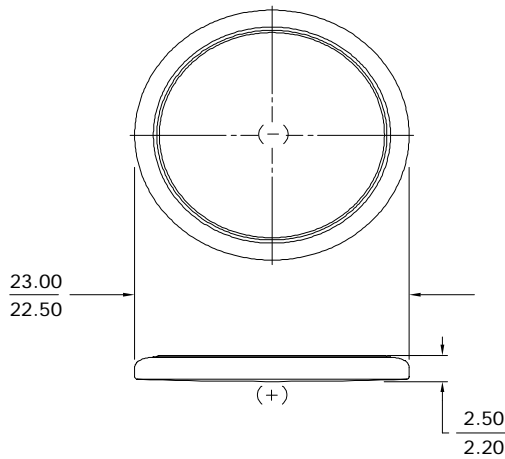
ENERGIZER NO. BR2325

LITHIUM COIN



Industry Standard Dimensions

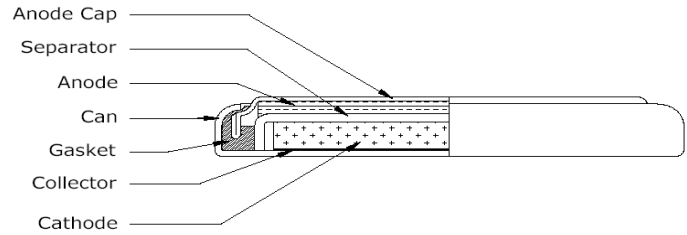
(mm)



Specifications

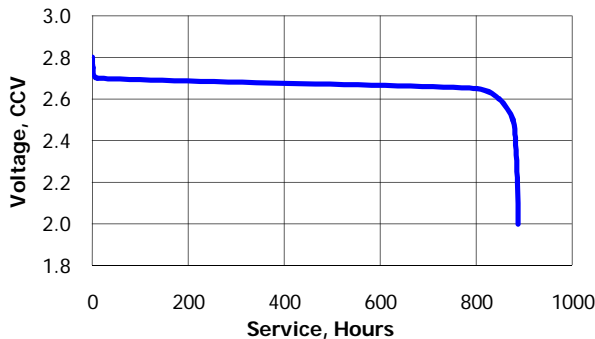
Classification: "Lithium Coin"
Chemical System: Lithium / Poly-Carbon Monofluoride (Li/CFx)
Designation: IEC-BR2325
Nominal Voltage: 3.0 Volts
Typical Capacity: 165 mAh (to 2.0 volts)
 (Rated at 15K ohms at 21°C)
Typical Weight: 3.0 grams
Typical Volume: 1.0 cubic centimeters
Max Rev Charge: 1 microampere
Energy Density: 160 milliwatt hr/g, 479 milliwatt hr/cc
Shipping: For complete details, please reference: Special Provision A45 of the International Air Transport Association Dangerous Goods Regulations

Cross Section



Typical Discharge Characteristics

Load: 15K ohms - Continuous
 Typical Drain @ 2.7V: 0.186 mA



Simulated Application test

Typical Performance at 21°C (70°F)

Schedule:	Typical Drains: at 2.7V (mA)	Load (ohms)	Cutoff 2.0V (hours)
Continuous	0.186	15,000	887

Important Notice

This datasheet contains typical information specific to products manufactured at the time of its publication.
 ©Energizer Holdings, Inc. - Contents herein do not constitute a warranty.