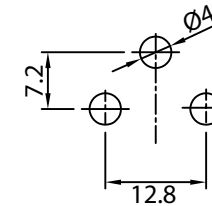
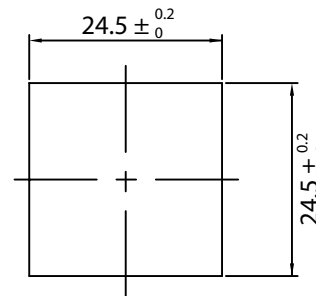
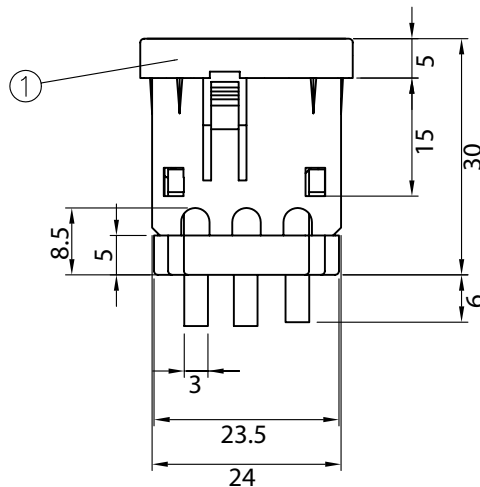
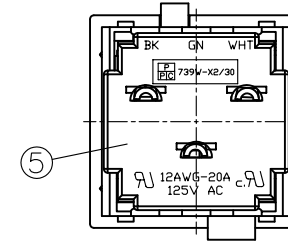
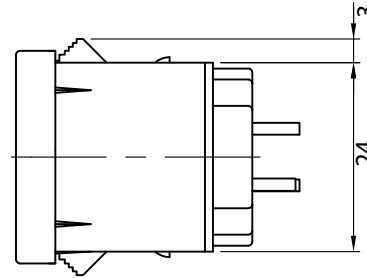
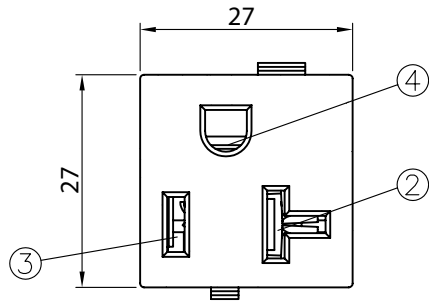


THESE DRAWINGS ARE THE PROPERTY OF QUALTEK ELECTRONICS AND NOT TO BE REPRODUCED FOR OR COMMUNICATED TO A THIRD PARTY WITHOUT THE EXPRESS WRITTEN PERMISSION OF AN OFFICER OF QUALTEK ELECTRONICS.

| Revision | | | |
|----------|-------------|------|----------|
| Rev. | Description | Date | Approved |
| | | | |
| | | | |



CONTROLLED

NOTE:

RATING: 20A 125V AC
 RECOMMENDED TO USE SOLID WIRE ONLY
 PRODUCT SHIPPED UNASSEMBLED
 PANEL THICKNESS: 0.8~1.8mm
 APPROVALS: UL, cUL
 RoHS COMPLIANT

| | | |
|---|--|---|
| 5 | Cover back of the body, NYLON Black Color | 1 |
| 4 | Contact PIN Brass Strip t=0.7mm Tin Plated | 1 |
| 3 | Contact PIN Brass Strip t=0.7mm Tin Plated | 1 |
| 2 | Contact PIN Brass Strip t=0.7mm Tin Plated | 1 |
| 1 | Body Insulator NYLON Black Color | 1 |

| Dim range (mm) | Tolerance +/- (mm) | Qualtek Electronics Corp. PPC DIVISION | | |
|----------------|--------------------|--|----------------|-----------------|
| 0-1 | 0.15 | Part Number: 739W-X2/30 RoHS Compliant | | |
| 1-6 | 0.20 | Description: SNAP-IN 20 AMP T-SLOT RECEPTACLE | | |
| 6-18 | 0.30 | UNIT: mm | | |
| 18-50 | 0.50 | Drawn / Date | Checked / Date | Approved / Date |
| 50-120 | 0.70 | D.Povozhaev 05-14-07 | 05-14-07 | JJH / 05-14-07 |
| 120-250 | 0.90 | | | |
| 250-500 | 1.20 | | | |