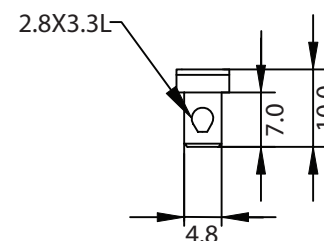
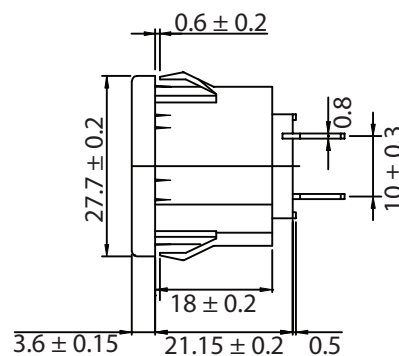
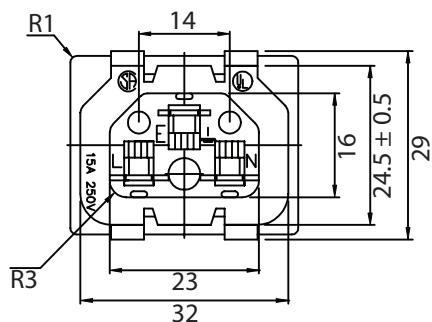
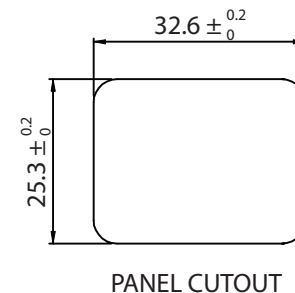
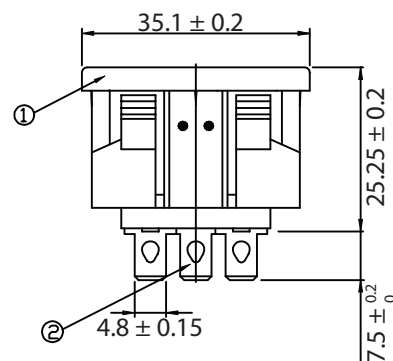
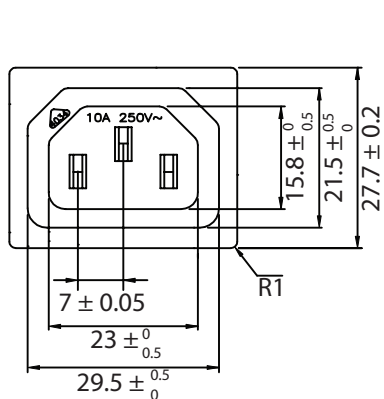


THESE DRAWINGS ARE THE PROPERTY OF QUALTEK ELECTRONICS AND NOT TO BE REPRODUCED FOR OR COMMUNICATED TO A THIRD PARTY WITHOUT THE EXPRESS WRITTEN PERMISSION OF AN OFFICER OF QUALTEK ELECTRONICS.

REVISION			
REV.	DESCRIPTION	DATE	APPROVED
B	RoHS Compliancy	06-01-06	DP



NOTES:

MATERIAL:

HOUSING: THERMOPLASTIC
 TERMINAL: COPPER ALLOY

RATING:

UL, CSA: 15A 250V AC
 VDE: 10A 250V AC

INSULATION RESISTANCE: OVER 100M OHM 500V DC

DIELECTRIC STRENGTH: 2000V AC ONE MINUTE

APPROVALS: UL, CSA, VDE

PANEL THICKNESS: 0.8~1.5mm

RoHS COMPLIANT

CONTROLLED

2	Contact PIN Bronze Strip t=0.8mm Tin-Plated	3			
1	Body Insulator PC or NY Black Color	1			
Dim range (mm)		Tolerance +/- (mm)		Qualtek Electronics Corp. PPC DIVISION Part Number: 716W-X2/02 RoHS Compliant	
0-1	0.15	Description: AC RECEPTACLE			
1-6	0.20	UNIT: mm		REV. B	
6-18	0.30	Drawn / Date		Checked / Date	
18-50	0.50	B.ZHANG		07-14-05	
50-120	0.70	07-14-05		JZH / 07-14-05	
120-250	0.90				
250-500	1.20				