

SINGLE UNITS for single-phase operation

(two-gang assemblies for single-phase series or three-phase open-delta operation and three-gang assemblies for three-phase star operation are listed on pages 12 - 13)

ANGLE OF ROTATION 320°

DRIVING TORQUE
(see page 5) 1.8 kgcm

240 VOLT MODELS

Component	Type 401-K	Type 402-K	Type 403-K	Type 404-K
Uncovered	401	402	403	404
Covered — Round (R) or Rectangular (E)	401-R, 401-E	402-R, 402-E	403-R, 403-E	404-R, 404-E
Covered, with Switch, Fuse, Terminals and Lead	—	402-LAB	403-LAB	404-LAB
In Robust Wall-Mounting Enclosure	401-W	402-W	403-W	404-W
INPUT VOLTAGE	240V*	240V*	240V*	240V*
LOAD RATING (see page 5)	290 VA	660 VA	840 VA	1140 VA
OUTPUT VOLTAGE				
<i>over-voltage connection</i>	0-275V	0-275V	0-275V	0-275V
<i>line-voltage connection</i>	0-240V	0-240V	0-240V	0-240V
RATED CURRENT (do not exceed in over-voltage connection)	1A	2.5A	3A	4A
MAXIMUM CURRENT (line-voltage connection only — see page 5)	1.2A	2.75A	3.5A	4.75A
NO-LOAD LOSS	7W	10W	12W	12W
NUMBER OF TURNS ON WINDING	945	590	380	380

* These models are centre-tapped and can be used on 120 volt input to give 0-240 volt output. In this case, the current drawn must not exceed one half of rated current.

120 VOLT AND 440 VOLT MODELS

Component	INPUT 120 VOLTS			INPUT 440 VOLTS		
	Type 401L-K	Type 402L-K	Type 403L-K	Type 402H-K	Type 403H-K	Type 404H-K
Uncovered	401L	402L	403L	402H	403H	404H
Covered — Round (R) or Rectangular (E)	401L-R, E	402L-R, E	403L-R, E	402H-R, E	403H-R, E	404H-R, E
Covered, with Switch, Fuse, Terminals and Lead	—	402L-LAB	403L-LAB	—	—	—
In Robust Wall-Mounting Enclosure	401L-W	402L-W	403L-W	402H-W	403H-W	404H-W
INPUT VOLTAGE	120V*	120V*	120V*	440V	440V	440V
LOAD RATING (see page 5)	360 VA	720 VA	970 VA	440 VA	530 VA	880 VA
OUTPUT VOLTAGE						
<i>over-voltage connection</i>	0-135V	0-135V	0-135V	—	—	—
<i>line-voltage connection</i>	0-120V	0-120V	0-120V	0-440V	0-440V	0-440V
RATED CURRENT (do not exceed in over-voltage connection)	2.25A	5A	6.75A	0.8A	1A	1.6A
MAXIMUM CURRENT (line-voltage connection only — see page 5)	3A	6A	8.1A	1A	1.2A	2A
NO-LOAD LOSS	7W	10W	10W	10W	12W	12W
NUMBER OF TURNS ON WINDING	505	314	260	972	640	640

* The 120 volt models are centre-tapped and can be used on 60 volt input to give 0-120 volt output. In this case, the current drawn must not exceed one half of rated current.
440 volt models do not have a centre-tap, or over-voltage connections.

PORTABLE MODELS

Portable models are ideal for general laboratory and test use. The REGAVOLT is mounted in a robust case, with carrying handle, input cable, mains switch, output fuse, and either a socket outlet or insulated terminals on 19 mm (3/4") spacing. A voltmeter or ammeter can be fitted if required.

OUPUT ARRANGEMENTS	INPUT 240V, OUTPUT 0 - 275V RATED CURRENT				INPUT 120V, OUTPUT 0 - 135V RATED CURRENT		
	1A	2.5A	3A	4A	2.25A	5A	6.75A
Socket Outlet	401-PS	402-PS	403-PS	404-PS	401L-PS	402L-PS	403L-PS
Socket and Voltmeter	401-PSV	402-PSV	403-PSV	404-PSV	401L-PSV	402L-PSV	403L-PSV
Socket and Ammeter	401-PSA	402-PSA	403-PSA	404-PSA	401L-PSA	402L-PSA	403L-PSA
Insulated Terminals	401-PT	402-PT	403-PT	404-PT	401L-PT	402L-PT	403L-PT
Terminals and Voltmeter	401-PTV	402-PTV	403-PTV	404-PTV	401L-PTV	402L-PTV	403L-PTV
Terminals and Ammeter	401-PTA	402-PTA	403-PTA	404-PTA	401L-PTA	402L-PTA	403L-PTA



Portable models are supplied connected in over-voltage connection, unless otherwise ordered

MOTOR DRIVE (page 21)

Motor drive is available for remote control and automatic applications, denoted by the suffix '-D' and numeral indicating speed, e.g. '-D1' for 1 rpm.

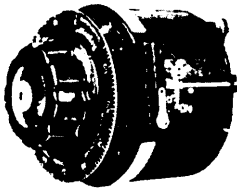
DIALS

Double-sided dials are fitted. Marking is clockwise one side, anti-clockwise the other, for use with dial attached to panel or moving with knob. 240 volt and 120 volt models have dials graduated 0 - 115%. If requested, dials graduated 0 - 100 or in voltage can be supplied instead. 440 volt models are supplied with 0 - 100 dials.

Single Units
120, 240 and 440 volt input
Unit load ratings from 290 VA to 1140 VA

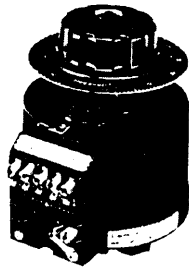
General Specifications
Definitions and Terminology
Circuits

Pages 3 - 5
Pages 6 - 8



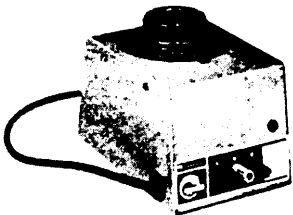
The REGAVOLT is supplied in bench mounting form for protection in transit. Adjustment of the shaft for panel mounting is readily carried out, but state panel thickness on the order if greater than 6 mm (1/4").

Component models are intended for permanent incorporation in user's equipment and have solder tag terminations in place of the terminal panel.



Covered models are available in round (above) or rectangular (at right) enclosures.

Uncovered and covered models have moulded terminal panels with screw terminals and tabs for push-on or solder connection.



'LAB' models are intended for laboratory bench use and have input lead, double-pole switch, output fuse and insulated terminals on 19 mm spacing. Supplied connected in over-voltage connection unless otherwise ordered.

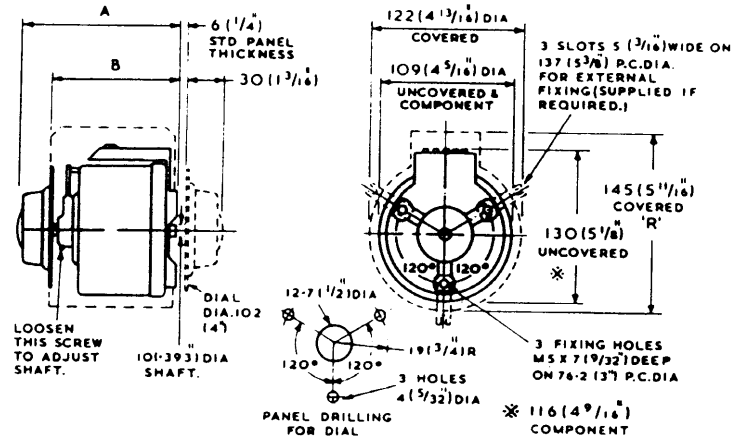
'W'-type enclosure provides a robust installation for industrial use, with 19 mm (3/4") cable entries and fixing straps.



OTHER 400 FRAME MODELS
50/60 Hz models for other voltages
High-frequency models
Low output voltage models

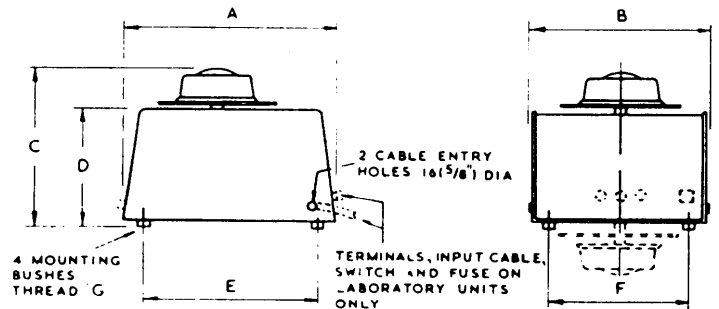
Page 22
Page 23

OUTLINE DIMENSIONS
COMPONENT, UNCOVERED AND 'R'-TYPE COVERED



SIZE	A		B	
	mm	in	mm	in
401	110	4 3/16	79	3 1/8
402	133	5 1/4	104	4 1/16
403, 404	156	6 1/8	125	4 15/16

'E' AND 'LAB'-TYPE ENCLOSURES
(For 'W' and Portable types see page 15)

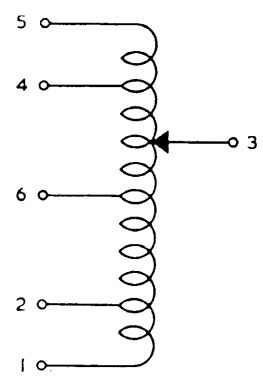


SIZE	A		B		C		D		E		F		G
	mm	in	mm	in	mm	in	mm	in	mm	in	mm	in	
300 SERIES	140	5 1/2	135	5 3/16	119	4 11/16	92	3 5/8	100	3 5/8	100	3 5/8	M5
401, 402	190	7 1/2	135	5 3/16	147	5 3/4	116	4 9/16	150	5 7/8	100	3 5/8	M5
403, 404	190	7 1/2	135	5 3/16	170	6 3/8	139	5 7/16	150	5 7/8	100	3 5/8	M5
700 SERIES	268	10 1/2	225	8 7/8	195	7 11/16	150	5 7/8	220	8 11/16	180	7 1/8	M6

Terminal numbering & basic single unit connections

APPLIES TO ALL STANDARD REGAVOLTS

FOR INCREASE OF VOLTAGE WITH CLOCKWISE ROTATION



BENCH (SURFACE) MOUNTING		Input	Output
Over-Voltage Connection	L - N	L - N	L - N
Line-Voltage Connection	4 - 1	3 - 1	3 - 1
Terminal 1 Common			
BACK-OF-PANEL MOUNTING		Input	Output
Over-Voltage Connection	L - N	L - N	L - N
Line-Voltage Connection	2 - 5	3 - 5	3 - 5
Terminal 5 Common			

440 volt models do not have a centre-tap and are for line-voltage connection only. Terminals are 1, 3, 5