

**PLEASE CHECK WWW.MOLEX.COM FOR LATEST PART INFORMATION**

**Part Number:** **0039000326**  
**Status:** **Active**  
**Overview:** standard\_093  
**Description:** 2.36mm (.093") Diameter, Standard .093" Pin and Socket Crimp Terminal, Series 1434, Male, with Gold (Au) over Nickel Plated Brass Contact, 24-28 AWG, Bag

**Documents:**

[Drawing \(PDF\)](#) [Product Specification PS-1434-002 \(PDF\)](#)  
[Product Specification PS-1434-001 \(PDF\)](#) [RoHS Certificate of Compliance \(PDF\)](#)

**General**

Product Family	Crimp Terminals
Series	<u>1434</u>
Crimp Quality Equipment	Yes
Overview	<u>standard_093</u>
Product Name	Standard .093"
<b>Physical</b>	
Gender	Male
Material - Metal	Brass
Material - Plating Mating	Gold
Material - Plating Termination	Gold
Packaging Type	Bag
Plating min: Mating (µin)	14
Plating min: Mating (µm)	0.35
Plating min: Termination (µin)	14
Plating min: Termination (µm)	0.35
Termination Interface: Style	Crimp or Compression
Wire Insulation Diameter	0.80-1.50mm (.031-.059")
Wire Size AWG	24, 26, 28
Wire Size mm <sup>2</sup>	N/A

**Material Info**

Old Part Number 1434GL

**Reference - Drawing Numbers**

Product Specification PS-1434-001, PS-1434-002  
 Sales Drawing SD-1434\*

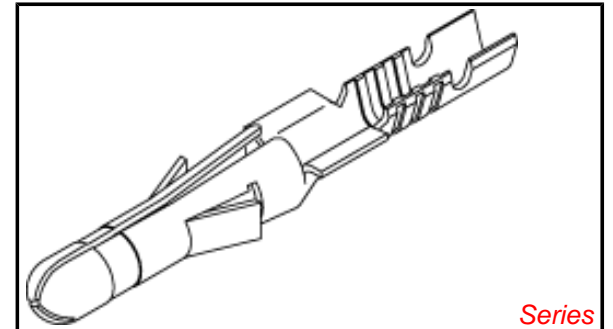


image - Reference only

Series

**EU RoHS**

**ELV and RoHS Compliant**

**REACH SVHC**

**Contains SVHC: No**

**Halogen-Free**

**Status**

**Not Reviewed**

**China RoHS**



**Need more information on product environmental compliance?**

Email [productcompliance@molex.com](mailto:productcompliance@molex.com)  
 For a multiple part number RoHS Certificate of Compliance, [click here](#)

Please visit the [Contact Us](#) section for any non-product compliance questions.

**Search Parts in this Series**

1434Series

**Application Tooling | FAQ**

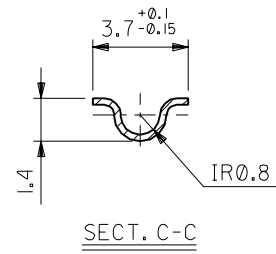
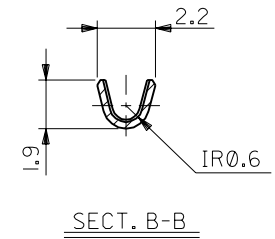
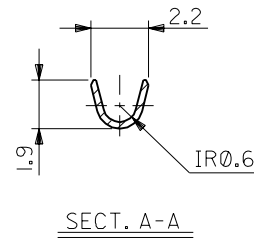
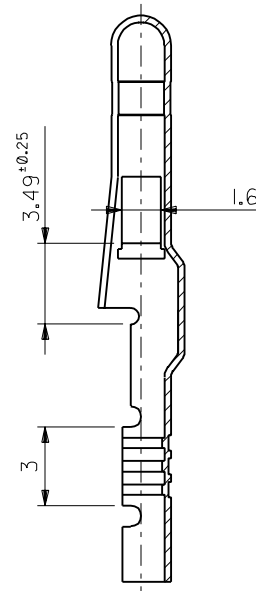
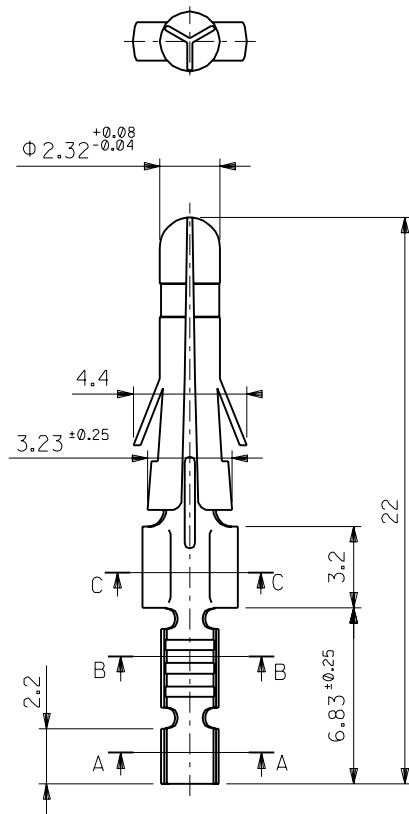
*Tooling specifications and manuals are found by selecting the products below. Crimp Height Specifications are then contained in the Application Tooling Specification document.*

**Global**

Description	Product #
HAND CRIMP TOOL	<u>0638117100</u>
Extraction Tool	<u>0011030006</u>

**Japan**

Description	Product #
Hand Crimp Tool	<u>0011260008</u>
JHTR2262	



注記 NOTES:  
 1. 一般公差 :  $\pm 0.4$   
 GENERAL TOLERANCES :  $\pm 0.4$

ニッケル (2 $\mu$ m MIN.) 下地 金 (0.35 $\mu$ m MIN.) GOLD (0.35 $\mu$ m MIN.) OVER NICKEL (2 $\mu$ m MIN.)	39-00-0326	I434GL	バラ端子 LOOSE
銅 (0.5 $\mu$ m MIN.) 下地 錫 (0.9 $\mu$ m MIN.) TIN (0.9 $\mu$ m MIN.) OVER COPPER (0.5 $\mu$ m MIN.)	39-00-0324	I434TL	バラ端子 LOOSE
メッキ PLATING	39-00-0323	I434T	連鎖状端子 CHAIN
	EDP.NO.	ENG.NO.	形状 FORM

材料 MATERIAL 黄銅 0.264t BRASS 0.264t	材料 MATERIAL 黄銅 0.264t BRASS 0.264t
仕上げ FINISH	仕上げ FINISH
適用電線範囲 WIRE RANGE AWG#24-#28	適用電線範囲 WIRE RANGE AWG#24-#28
被覆外径 INS. RANGE $\Phi 0.8 \sim 1.5$	被覆外径 INS. RANGE $\Phi 0.8 \sim 1.5$
DRAWN BY '93/06/18 H.HASEGAWA	CHK'D BY '93/06/18 H.HIRAMOTO
APP'D BY '93/06/18 M.FUKUSHIMA	尺度 SCALE 5 : 1
記号 LTR	変更内容 REVISION RECORD
DR. CHK.	日付 DATE
J	REDRAWN 再作図 (J30539)
	h.h '93/06/18

molex MOLEX-JAPAN CO.,LTD. 日本モレックス株式会社	
REVISE ONLY ON CAD SYSTEM	
TITLE 名称	
.093 DIA. MALE TERM.	
DWG. NO.	REV
SD-1434*	J