

PLEASE CHECK WWW.MOLEX.COM FOR LATEST PART INFORMATION

Part Number: **0039000308**
Status: **Active**
Overview: [standard_093](#)
Description: 2.36mm (.093") Diameter, Standard .093" Pin and Socket Crimp Terminal, Series 1381, Female, with Tin (Sn) over Copper Plated Brass Contact, 18-24 AWG, Bag

Documents:

[Drawing \(PDF\)](#) [Product Specification PS-1381-005 \(PDF\)](#)
[Product Specification PS-1381-004 \(PDF\)](#) [RoHS Certificate of Compliance \(PDF\)](#)

General

Product Family Crimp Terminals
 Series [1381](#)
 Crimp Quality Equipment Yes
 Overview [standard_093](#)
 Product Name Standard .093"

Physical

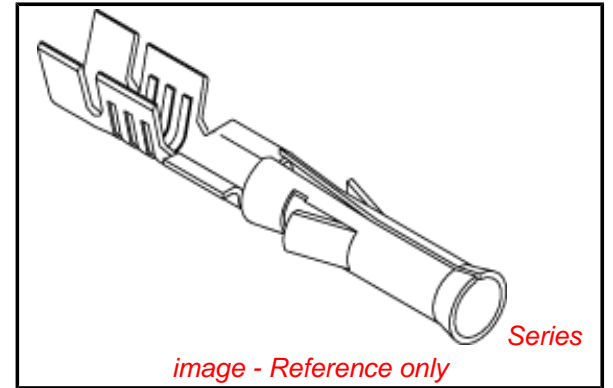
Gender Female
 Material - Metal Brass
 Material - Plating Mating Tin
 Material - Plating Termination Tin
 Packaging Type Bag
 Plating min: Mating (µin) 35
 Plating min: Mating (µm) 0.88
 Plating min: Termination (µin) 35
 Plating min: Termination (µm) 0.88
 Termination Interface: Style Crimp or Compression
 Wire Insulation Diameter 1.50-3.10mm (.059-.122")
 Wire Size AWG 18, 20, 22, 24
 Wire Size mm² N/A

Material Info

Old Part Number 1381ATL

Reference - Drawing Numbers

Product Specification PS-1381-004, PS-1381-005, RPS-1381-001
 Sales Drawing SD-1381*



EU RoHS

**ELV and RoHS
 Compliant**
**REACH SVHC
 Contains SVHC: No**
**Halogen-Free
 Status**

China RoHS



**Need more information on product
 environmental compliance?**

Email productcompliance@molex.com
 For a multiple part number RoHS Certificate of Compliance, [click here](#)

Please visit the [Contact Us](#) section for any non-product compliance questions.

Search Parts in this Series

[1381Series](#)

Application Tooling | [FAQ](#)

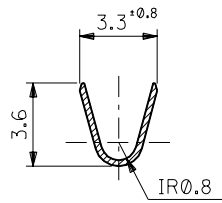
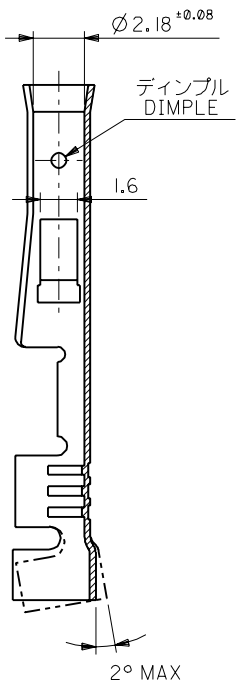
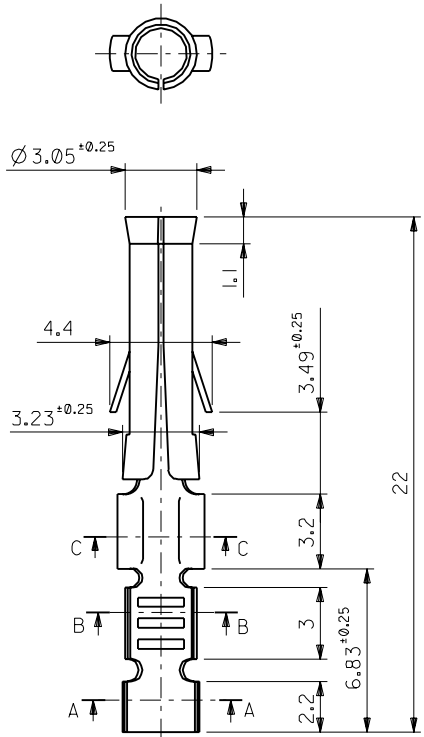
Tooling specifications and manuals are found by selecting the products below. Crimp Height Specifications are then contained in the Application Tooling Specification document.

Global

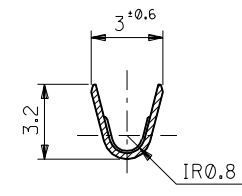
Description	Product #
Hand Crimp Tool	0638191200
Extraction Tool	0011030006

Japan

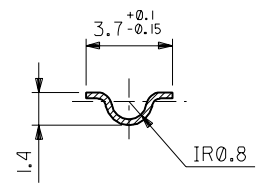
Description	Product #
Hand Crimp Tool	0011260006
JHTR1031C	



SECT. A-A



SECT. B-B



SECT. C-C

注記 NOTES:

1. 一般公差: ±0.4
GENERAL TOLERANCES: ±0.4

ニッケル (2 μm MIN.) 下地 金 (0.35 μm MIN.) GOLD (0.35 μm MIN.) OVER NICKEL (2 μm MIN.)	無 NO	39-00-0314	I381AGL	バラ端子 LOOSE
	有 YES	39-00-0312	I381AG	連鎖状端子 CHAIN
銅 (3 μm MIN.) 下地 錫 (0.5 μm MIN.) OVER COPPER (3 μm MIN.)	無 NO	39-00-0310	I381AT2L	バラ端子 LOOSE
	有 YES	39-00-0311	I381G	連鎖状端子 CHAIN
銅 (0.5 μm MIN.) 下地 錫 (0.9 μm MIN.) OVER COPPER (0.5 μm MIN.)	無 NO	39-00-0308	I381ATL	バラ端子 LOOSE
	有 YES	39-00-0284	I381AT	連鎖状端子 CHAIN
メッキ PLATING	無 NO	39-00-0307	I381ITL	バラ端子 LOOSE
	有 YES	39-00-0285	I381IT	連鎖状端子 CHAIN
	ディンプル有無 WITH DIMPLE	EDP.NO.	ENG.NO.	形状 FORM

角度 ANGLE	±3°				
30°以上 OVER	+0.3				
10°以上 30°未満 OVER UNDER	+0.25				
10°未満 UNDER	+0.2				
一般公差 GENERAL TOLERANCES					
記号 LTR	変更内容 REVISION RECORD	DR. CHK.	日付 DATE		
	REDRAWN (J30673) 再作図	H.H.	93/07/06		

材料 MATERIAL	黄銅 BRASS 0.264t
仕上げ FINISH	—
適用電線範囲 WIRE RANGE	AWG# 18-#24
被覆外径 INS. RANGE	φ 1.5~3.1
DRAWN BY 93/07/06	CHK'D BY 93/07/06
H.HASEGAWA	H.HIRAMOTO
APP'D BY 93/07/06	尺度
M.FUKUSHIMA	SCALE 5 : 1

molex MOLEX-JAPAN CO.,LTD. 日本モレックス株式会社	
REVISE ONLY ON CAD SYSTEM	
TITLE 名称	
.093 DIA. FEMALE TERM.	
DWG. NO.	REV
SD-1381*	H