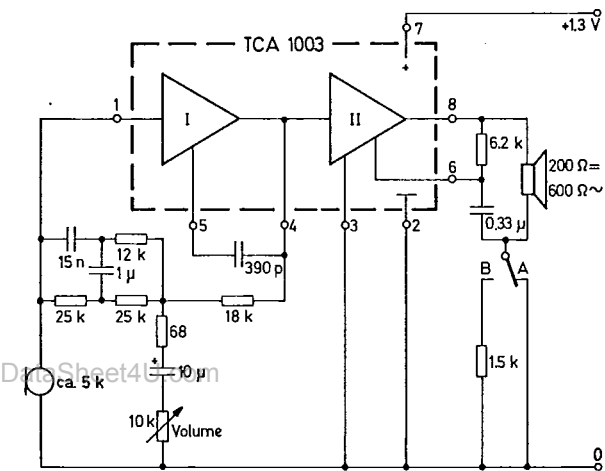


TCA1003, TCA1004 Integrated AF Amplifiers (Miniature Plastic Package)

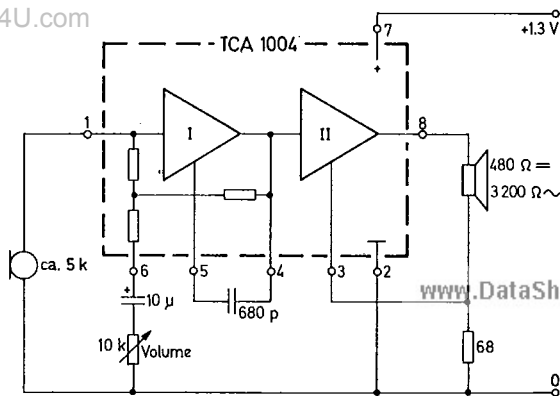
Bipolar integrated circuits with very small dimensions, containing a 5-stage AF amplifier designed for an 1.3 V supply and thus especially suited for hearing aids and similar applications. Three of the five amplifier stages form the amplifier block I shown in the circuit diagram, and two amplifier stages form the amplifier block II.

Both amplifier blocks can be equipped with separate feedback circuits determining gain and frequency response. As for the TCA1004, part of the feedback network is already on-chip. The current consumption of these ICs is about 1 mA, the gain about 60 dB.



TCA1003 Application Circuit

DataSheet4U.com



TCA1004 Application Circuit