

16-bit Microcontroller

CMOS

F²MC-16LX MB90330A Series

MB90333A/F334A/MB90V330A

■ DESCRIPTION

The MB90330A series are 16-bit microcontrollers designed for applications, such as personal computer peripheral devices, that require USB communications. The USB feature supports not only 12-Mbps Function operation but also Mini-HOST operation. It is equipped with functions that are suitable for personal computer peripheral devices such as displays and audio devices, and control of mobile devices that support USB communications. While inheriting the AT architecture of the F²MC family, the instruction set supports the C language and extended addressing modes and contains enhanced signed multiplication and division instructions as well as a substantial collection of improved bit manipulation instructions. In addition, long word processing is now available by introducing a 32-bit accumulator.

Note : F²MC is the abbreviation of FUJITSU Flexible Microcontroller.

■ FEATURES

• Clock

- Built-in oscillation circuit and PLL clock frequency multiplication circuit
- Oscillation clock
- The main clock is the oscillation clock divided into 2 (for oscillation 6 MHz : 3 MHz)
- Clock for USB is 48 MHz
- Machine clock frequency of 6 MHz, 12 MHz, or 24 MHz selectable
- Minimum execution time of instruction : 41.6 ns (6 MHz oscillation clock, 4-time multiplied : machine clock 24 MHz and at operating $V_{CC} = 3.3$ V.

• The maximum memory space : 16 Mbytes

• 24-bit addressing

(Continued)

Be sure to refer to the "Check Sheet" for the latest cautions on development.

"Check Sheet" is seen at the following support page
URL : <http://edevic.fujitsu.com/micom/en-support/>

"Check Sheet" lists the minimal requirement items to be checked to prevent problems beforehand in system development.

MB90330A Series

(Continued)

- **Bank addressing**
- **Instruction system**
 - Data types : Bit, Byte, Word and Long word
 - Addressing mode (23 types)
 - Enhanced high-precision computing with 32-bit accumulator
 - Enhanced Multiply/Divide instructions with sign and the RETI instruction
- **Instruction system compatible with high-level language (C language) and multi-task**
 - Employing system stack pointer
 - Instruction set symmetry and barrel shift instructions
- **Program Patch Function (2 address pointer)**
- **4-byte instruction queue**
- **Interrupt function**
 - Priority levels are programmable
 - 32 interrupts function
- **Data transfer function**
 - Extended intelligent I/O service function (EI²OS) : Maximum of 16 channels
 - μ DMAC : Maximum 16 channels
- **Low Power Consumption Mode**
 - Sleep mode (with the CPU operating clock stopped)
 - Time-base timer mode (with the oscillator clock and time-base timer operating)
 - Stop mode (with the oscillator clock stopped)
 - CPU intermittent operation mode (with the CPU operating at fixed intervals of set cycles)
 - Watch mode (with 32 kHz oscillator clock and watch timer operating)
- **Package**
 - LQFP-120P (FPT-120P-M05 : 0.40 mm pin pitch)
 - LQFP-120P (FPT-120P-M21 : 0.50 mm pin pitch)
- **Process : CMOS technology**
- **Operation guaranteed temperature : - 40 °C to + 85 °C (0 °C to + 70 °C when USB is in use)**

■ INTERNAL PERIPHERAL FUNCTION (RESOURCE)

- I/O port : Max 94 ports
- Time-base timer : 1 channel
- Watchdog timer : 1 channel
- Watch timer : 1 channel
- 16-bit reload timer : 3 channels
- Multi-functional timer
 - 16-bit free run timer : 1 channel
 - Output compare : 4 channels
An interrupt request can be output when the 16-bit free-run timer value matches the compare register value.
 - Input capture : 4 channels
Upon detection of the effective edge of the signal input to the external input pin, the input capture unit sets the input capture data register to the 16-bit free-run timer value to output an interrupt request.
 - 8/16-bit PPG timer (8-bit × 6 channels or 16-bit × 3 channels) the period and duty of the output pulse can be set by the program.
 - 16-bit PWC timer : 1 channel
Timer function and pulse width measurement function
- UART : 4 channels
 - Full-duplex double buffer (8-bit length)
 - Asynchronous transfer or clock-synchronous serial (Extended I/O serial) transfer can be set.
- Extended I/O serial interface : 1 channel
- DTP/External interrupt circuit (8 channels)
 - Activate the extended intelligent I/O service by external interrupt input
 - Interrupt output by external interrupt input
- Delay interrupt output module
 - Output an interrupt request for task switching
- 8/10-bit A/D converter : 16 channels
 - 8-bit resolution or 10-bit resolution can be set.
- USB : 1 channel
 - USB function (correspond to USB Full Speed)
 - Full Speed is supported/Endpoint are specifiable up to six.
 - Dual port RAM (The FIFO mode is supported).
 - Transfer type : Control, Interrupt, Bulk, or Isochronous transfer possible
 - USB Mini-HOST function
- I²C* Interface : 3 channels
 - Supports Intel SM bus standard and Phillips I²C bus standards
 - Two-wire data transfer protocol specification
 - Master and slave transmission/reception

* : I²C license :

Purchase of Fujitsu I²C components conveys a license under the Philips I²C Patent Rights to use, these components in an I²C system provided that the system conforms to the I²C Standard Specification as defined by Philips.

MB90330A Series

■ PRODUCT LINEUP

Part number	MB90V330A	MB90F334A	MB90333A
Type	For evaluation	Built-in Flash memory	Built-in MASK ROM
ROM capacity	No	384 Kbytes	256 Kbytes
RAM capacity	28 Kbytes	24 Kbytes	16 Kbytes
Emulator-specific power supply *	Yes	—	
CPU functions	Number of basic instructions : 351 instructions Minimum instruction execution time : 41.6 ns/at oscillation of 6 MHz (When 4 times are used : Machine clock of 24 MHz) Addressing type : 23 types Program Patch Function : For 2 address pointers Maximum memory space : 16 Mbytes		
Ports	I/O Ports (CMOS) 94 ports		
UART	Equipped with full-duplex double buffer Clock synchronous or asynchronous operation selectable It can also be used for I/O serial Built-in special baud-rate generator Built-in 4 channels		
16-bit reload timer	16-bit reload timer operation Built-in 3 channels		
Multi-functional timer	16-bit free run timer × 1 channel Output compare × 4 channels Input capture × 4 channels 8/16-bit PPG timer (8-bit mode × 6 channels, 16-bit mode × 3 channels) 16-bit PWC timer × 1 channel		
8/10-bit A/D converter	16 channels (input multiplex) 8-bit resolution or 10-bit resolution can be set. Conversion time : 7.16 μs at minimum (24 MHz machine clock at maximum)		
DTP/External interrupt	8 channels Interrupt factor : “L”→“H” edge/“H”→“L” edge/“L” level/“H” level selectable		
I ² C	3 channels		
Extended I/O serial interface	1 channel		
USB	1 channel USB function (correspond to USB Full Speed) USB Mini-HOST function		
External bus interface	For multi-bus/non-multi-bus		
Withstand voltage of 5 V	16 ports (excluding UTEST and I/O for I ² C)		
Low Power Consumption Mode	Sleep mode/Time-base timer mode/Stop mode/CPU intermittent mode/Watch mode		
Process	CMOS		
Operating voltage	3.3 V ± 0.3 V (at maximum machine clock 24 MHz)		

* : It is setting of Jumper switch (TOOL VCC) when Emulator (MB2147-01) is used. Please refer to the MB2147-01 or MB2147-20 hardware manual (3.3 Emulator-dedicated Power Supply Switching) about details.

MB90330A Series

■ PACKAGES AND PRODUCT MODELS

Package	MB90333A	MB90F334A	MB90V330A
FPT-120P-M05 (LQFP-0.40 mm)	○	○	×
FPT-120P-M21 (LQFP-0.50 mm)	○	○	×
PGA-299C-A01 (PGA)	×	×	○

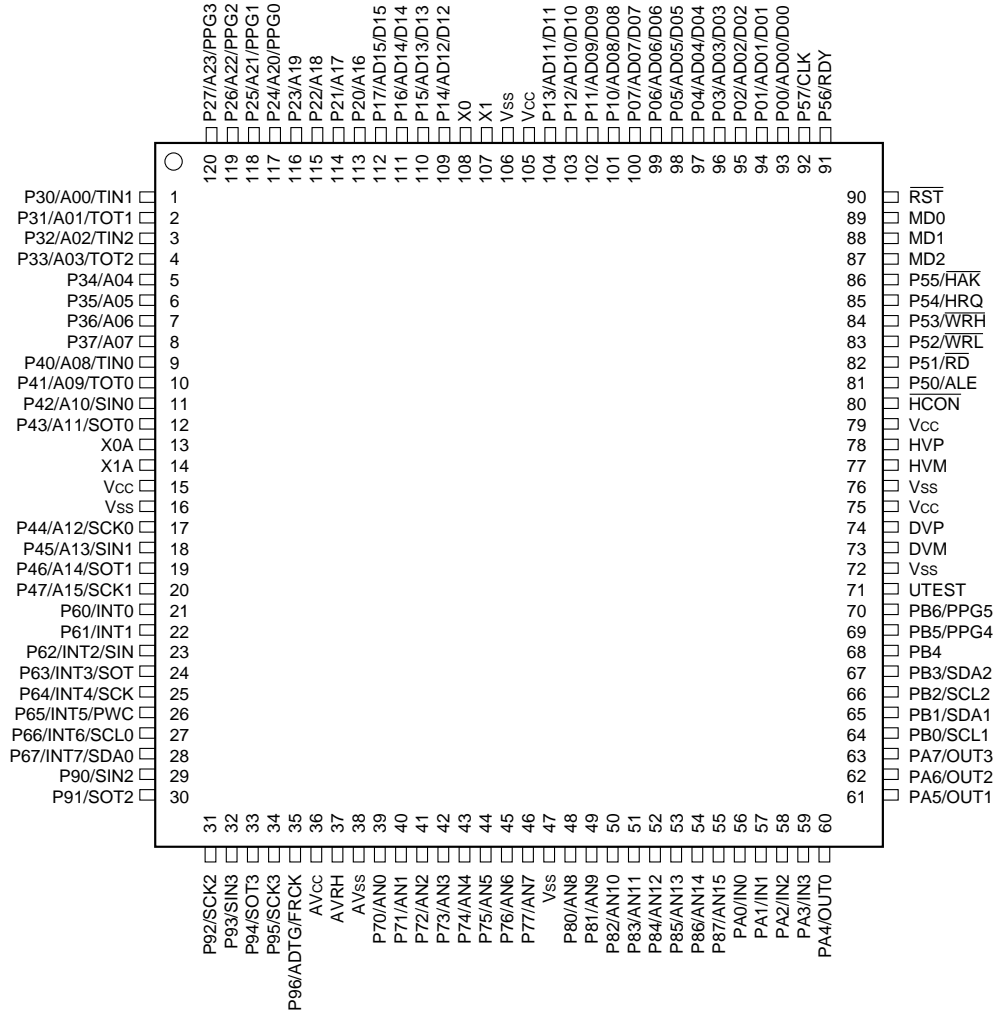
○ : Yes × : No

Note : For detailed information on each package, refer to “■ PACKAGE DIMENSIONS”.

MB90330A Series

PIN ASSIGNMENT

(TOP VIEW)



(FPT-120P-M05 / FPT-120P-M21)

■ PIN DESCRIPTION

Pin no.	Pin name	I/O Circuit type*	Function
108, 107	X0, X1	A	Terminals to connect the oscillator. When connecting an external clock, leave the X1 pin side unconnected.
13, 14	X0A, X1A	A	32 kHz oscillation terminals.
90	\overline{RST}	F	External reset input pin.
93 to 100	P00 to P07	H	General purpose input/output port. The ports can be set to be added with a pull-up resistor (RD00 to RD07 = 1) by the pull-up resistor setting register (RDR0). (When the power output is set, it is invalid.)
	AD00 to AD07		Function as an I/O pin for the low-order external address and data bus in multiplex mode.
	D00 to D07		Function as an output pin for the low-order external data bus in non-multiplex mode.
101 to 104	P10 to P13	H	General purpose input/output port. The ports can be set to be added with a pull-up resistor (RD10 to RD13 = 1) by the pull-up resistor setting register (RDR1). (When the power output is set, it is invalid.)
	AD08 to AD11		Function as an I/O pin for the high-order external address and data bus in multiplex mode.
	D08 to D11		Function as an output pin for the high-order external data bus in non-multiplex mode.
109 to 112	P14 to P17	H	General purpose input/output port. The ports can be set to be added with a pull-up resistor (RD14 to RD17 = 1) by the pull-up resistor setting register (RDR1). (When the power output is set, it is invalid.)
	AD12 to D15		Function as an I/O pin for the high-order external address and data bus in multiplex mode.
	D12 to D15		Function as an output pin for the high-order external data bus in non-multiplex mode.
113 to 116	P20 to P23	D	This is a general purpose I/O port. When the bits of external address output control register (HACR) are set to "1" in external bus mode, these pins function as general purpose I/O ports.
	A16 to A19		When the bits of external address output control register (HACR) are set to "0" in multiplex mode, these pins function as address high output pins.
	A16 to A19		When the bits of external address output control register (HACR) are set to "0" in non-multiplex mode, these pins function as address high output pins.

(Continued)

MB90330A Series

Pin no.	Pin name	I/O Circuit type*	Function
117 to 120	P24 to P27	D	This is a general purpose I/O port. When the bits of external address output control register (HACR) are set to "1" in external bus mode, these pins function as general purpose I/O ports.
	A20 to A23		When the bits of external address output control register (HACR) are set to "0" in multiplex mode, these pins function as address high output pins.
	A20 to A23		When the bits of external address output control register (HACR) are set to "0" in non-multiplex mode, these pins function as address high output pins.
	PPG0 to PPG3		Function as ch.0 to ch.3 output pins for the 8-bit PPG timer.
1	P30	D	General purpose input/output port.
	A00		Function as the external address pin in non-multi-bus mode.
	TIN1		Function as an event input pin for 16-bit reload timer ch.1.
2	P31	D	General purpose input/output port.
	A01		Function as the external address pin in non-multi-bus mode.
	TOT1		Function as the output pin for 16-bit reload timer ch.1.
3	P32	D	General purpose input/output port.
	A02		Function as the external address pin in non-multi-bus mode.
	TIN2		Function as an event input pin for 16-bit reload timer ch.2.
4	P33	D	General purpose input/output port.
	A03		Function as the external address pin in non-multi-bus mode.
	TOT2		Function as the output pin for 16-bit reload timer ch.2.
5 to 8	P34 to P37	D	General purpose input/output port.
	A04 to A07		Function as the external address pin in non-multi-bus mode.
9	P40	G	General purpose input/output port.
	A08		Function as the external address pin in non-multi-bus mode.
	TIN0		Function as an event input pin for 16-bit reload timer ch.0.
10	P41	G	General purpose input/output port.
	A09		Function as the external address pin in non-multi-bus mode.
	TOT0		Function as the output pin for 16-bit reload timer ch.0.
11	P42	G	General purpose input/output port.
	A10		Function as the external address pin in non-multi-bus mode.
	SIN0		Function as a data input pin for UART ch.0.
12	P43	G	General purpose input/output port.
	A11		Function as the external address pin in non-multi-bus mode.
	SOT0		Function as a data output pin for UART ch.0.
17	P44	G	General purpose input/output port.
	A12		Function as the external address pin in non-multi-bus mode.
	SCK0		Function as a clock I/O pin for UART ch.0.

(Continued)

MB90330A Series

Pin no.	Pin name	I/O Circuit type*	Function
18	P45	G	General purpose input/output port.
	A13		Function as the external address pin in non-multi-bus mode.
	SIN1		Function as a data input pin for UART ch.1.
19	P46	G	General purpose input/output port.
	A14		Function as the external address pin in non-multi-bus mode.
	SOT1		Function as a data output pin for UART ch.1.
20	P47	G	General purpose input/output port.
	A15		Function as the external address pin in non-multi-bus mode.
	SCK1		Function as a clock I/O pin for UART ch.1.
81	P50	L	General purpose input/output port.
	ALE		Function as the address latch enable signal pin in external bus mode.
82	P51	L	General purpose input/output port.
	\overline{RD}		Function as the read strobe output pin in external bus mode.
83	P52	L	General purpose input/output port.
	\overline{WRL}		Function as the data write strobe output pin on the lower side in external bus mode. This pin functions as a general-purpose I/O port when the WRE bit in the EPCR register is "0".
84	P53	L	General purpose input/output port.
	\overline{WRH}		Function as the data write strobe output pin on the higher side in bus width 16-bit external bus mode. This pin functions as a general-purpose I/O port when the WRE bit in the EPCR register is "0".
85	P54	L	General purpose input/output port.
	HRQ		Function as the hold request input pin in external bus mode. This pin functions as a general-purpose I/O port when the HDE bit in the EPCR register is "0".
86	P55	L	General purpose input/output port.
	\overline{HAK}		Function as the hold acknowledge output pin in external bus mode. This pin functions as a general-purpose I/O port when the HDE bit in the EPCR register is "0".
91	P56	L	General purpose input/output port.
	RDY		Function as the external ready input pin in external bus mode. This pin functions as a general-purpose I/O port when the RYE bit in the EPCR register is "0".
92	P57	L	General purpose input/output port.
	CLK		Function as the machine cycle clock output pin in external bus mode. This pin functions as a general-purpose I/O port when the CKE bit in the EPCR register is "0".
21, 22	P60, P61	C	General purpose input/output port. (With stand voltage of 5 V)
	INT0, INT1		Function as external interrupt ch.0 and ch.1 input pins.

(Continued)

MB90330A Series

Pin no.	Pin name	I/O Circuit type*	Function
23	P62	C	General purpose input/output ports. (Withstand voltage of 5 V)
	INT2		Function as an external interrupt ch.2 input pin.
	SIN		Extended I/O serial interface data input pin.
24	P63	C	General purpose input/output port. (Withstand voltage of 5 V)
	INT3		Function as an external interrupt ch.3 input pin.
	SOT		Extended I/O serial interface data output pin.
25	P64	C	General purpose input/output port. (Withstand voltage of 5 V)
	INT4		Function as an external interrupt ch.4 input pin.
	SCK		Extended I/O serial interface clock input/output pin.
26	P65	C	General purpose input/output port. (Withstand voltage of 5 V)
	INT5		Function as an external interrupt ch.5 input pin.
	PWC		Function as the PWC input pin.
27	P66	C	General purpose input/output port. (Withstand voltage of 5 V)
	INT6		Function as an external interrupt ch.6 input pin.
	SCL0		Function as the ch.0 clock I/O pin for the I ² C interface. Set port output to High-Z during I ² C interface operations.
28	P67	C	General purpose input/output port. (Withstand voltage of 5 V)
	INT7		Function as an external interrupt ch.7 input pin.
	SDA0		Function as the ch.0 data I/O pin for the I ² C interface. Set port output to High-Z during I ² C interface operations.
39 to 46	P70 to P77	I	General purpose input/output port.
	AN0 to AN7		Function as input pins for analog ch.0 to ch.7.
48 to 55	P80 to P87	I	General purpose input/output port.
	AN8 to AN15		Function as input pins for analog ch.8 to ch.15.
29	P90	D	General purpose input/output port.
	SIN2		Function as a data input pin for UART ch.2.
30	P91	D	General purpose input/output port.
	SOT2		Function as a data output pin for UART ch.2.
31	P92	D	General purpose input/output port.
	SCK2		Function as a clock I/O pin for UART ch.2.
32	P93	D	General purpose input/output port.
	SIN3		Function as a data input pin for UART ch.3.
33	P94	D	General purpose input/output port.
	SOT3		Function as a data output pin for UART ch.3.
34	P95	D	General purpose input/output port.
	SCK3		Function as a clock I/O pin for UART ch.3.
35	P96	C	General purpose input/output port. (Withstand voltage of 5 V)
	ADTG		Function as the external trigger input pin when the A/D converter is being used.
	FRCK		Function as the external clock input pin when the free-run timer is being used.

(Continued)

MB90330A Series

(Continued)

Pin no.	Pin name	I/O Circuit type*	Function
56 to 59	PA0 to PA3	C	General purpose input/output port. (Withstand voltage of 5 V)
	IN0 to IN3		Function as the input capture ch.0 to ch.3 trigger inputs.
60 to 63	PA4 to PA7	C	General purpose input/output port. (Withstand voltage of 5 V)
	OUT0 to OUT3		Function as the output compare ch.0 to ch.3 event output pins.
64	PB0	C	General purpose input/output port. (Withstand voltage of 5 V)
	SCL1		Function as the ch.1 clock I/O pin for the I ² C interface. Set port output to High-Z during I ² C interface operations.
65	PB1	C	General purpose input/output port. (Withstand voltage of 5 V)
	SDA1		Function as the ch.1 data I/O pin for the I ² C interface. Set port output to High-Z during I ² C interface operations.
66	PB2	C	General purpose input/output port. (Withstand voltage of 5 V)
	SCL2		Function as the ch.2 clock I/O pin for the I ² C interface. Set port output to High-Z during I ² C interface operations.
67	PB3	C	General purpose input/output port. (Withstand voltage of 5 V)
	SDA2		Function as the ch.2 data I/O pin for the I ² C interface. Set port output to High-Z during I ² C interface operations.
68	PB4	C	General purpose input/output port. (Withstand voltage of 5 V)
69, 70	PB5, PB6	D	General purpose input/output port.
	PPG4, PPG5		Function as ch.4 and ch.5 output pins for the 8-bit PPG timer.
71	UTEST	C	USB test pin. Connect this to a pull-down resistor during normal usage.
73	DVM	K	USB function D- pin.
74	DVP	K	USB function D+ pin.
77	HVM	K	USB Mini-HOST D- pin.
78	HVP	K	USB Mini-HOST D+ pin.
80	HCON	E	External pull-up resistor connect pin.
36	AVcc	—	A/D converter power supply pin.
37	AVRH	J	A/D converter external reference power supply pin.
38	AVss	—	A/D converter power supply pin.
87 to 89	MD2 to MD0	B	Operation mode select input pin.
15	Vcc	—	Power supply pin.
75	Vcc	—	Power supply pin.
79	Vcc	—	Power supply pin.
105	Vcc	—	Power supply pin.
16	Vss	—	Power supply pin (GND).
47	Vss	—	Power supply pin (GND).
72	Vss	—	Power supply pin (GND).
76	Vss	—	Power supply pin (GND).
106	Vss	—	Power supply pin (GND).

* : For circuit information, refer to "■ I/O CIRCUIT TYPE".

MB90330A Series

■ I/O CIRCUIT TYPE

Type	Circuit	Remarks
A		<ul style="list-style-type: none"> • High-rate oscillation feedback resistor, approx. 1 MΩ • Low-rate oscillation feedback resistor, approx. 10 MΩ • With standby control
B		CMOS hysteresis input
C		<ul style="list-style-type: none"> • CMOS hysteresis input • N-ch open drain output
D		<ul style="list-style-type: none"> • CMOS output • CMOS hysteresis input (With input interception function at standby) <p>Notes :</p> <ul style="list-style-type: none"> • Share one output buffer because both output of I/O port and internal resource are used. • Share one input buffer because both input of I/O port and internal resource are used.
E		CMOS output
F		CMOS hysteresis input with pull-up resistor

(Continued)

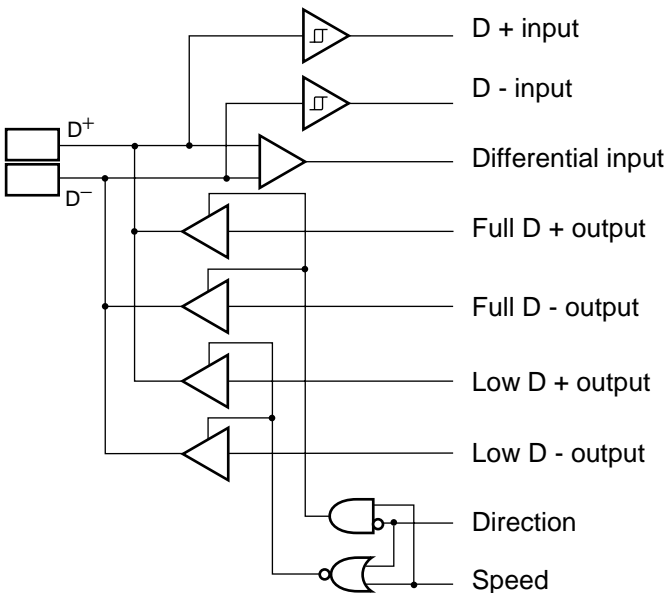
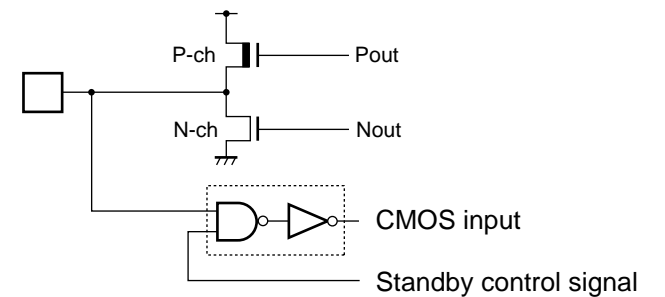
MB90330A Series

Type	Circuit	Remarks
G	<p>Open drain control signal</p> <p>CMOS hysteresis input Standby control signal</p>	<ul style="list-style-type: none"> • CMOS output • CMOS hysteresis input (With input interception function at standby) With open drain control signal
H	<p>CTL</p> <p>CMOS input Standby control signal</p>	<ul style="list-style-type: none"> • CMOS output • CMOS input (With input interception function at standby) • With input pull-up register control
I	<p>CMOS hysteresis input Standby control signal A/D converter analog input</p>	<ul style="list-style-type: none"> • CMOS output • CMOS hysteresis input (With input interception function at standby) • Analog input (The A/D converter analog input is enabled when the corresponding bit in the analog input enable register (ADER) is 1.) <p>Notes:</p> <ul style="list-style-type: none"> • Because the output of the I/O port and the output of internal resources are used combinedly, one output buffer is shared. • Because the input of the I/O port and the input of internal resources are used combinedly, one input buffer is shared.
J	<p>AVRH input A/D converter analog input enable signal</p>	A/D converter (AVRH) voltage input pin

(Continued)

MB90330A Series

(Continued)

Type	Circuit	Remarks
K	 <p>The circuit diagram for Type K shows two input pins labeled D+ and D-. The D+ pin is connected to a network of logic gates including two inverters, a differential input stage, and two full and low output drivers. The D- pin is connected to a similar network with two inverters, a differential input stage, and two full and low output drivers. Control signals 'Direction' and 'Speed' are shown as inputs to an AND gate and an OR gate, respectively, which then control the output drivers.</p>	<p>USB I/O pin</p>
L	 <p>The circuit diagram for Type L shows a CMOS output stage with a P-channel MOSFET (P-ch) and an N-channel MOSFET (N-ch). The output is labeled Pout and Nout. A CMOS input stage is shown with an AND gate and an inverter, controlled by a Standby control signal.</p>	<ul style="list-style-type: none"> • CMOS output • CMOS input • With standby control

■ HANDLING DEVICES

1. Preventing latch-up and turning on power supply

Latch-up may occur on CMOS IC under the following conditions:

- If a voltage higher than V_{CC} or lower than V_{SS} is applied to input and output pins.
- A voltage higher than the rated voltage is applied between V_{CC} pin and V_{SS} pin.
- If the AV_{CC} power supply is turned on before the V_{CC} voltage.

Ensure that you apply a voltage to the analog power supply at the same time as V_{CC} or after you turn on the digital power supply (when you perform power-off, turn off the analog power supply first or at the same time as V_{CC} and the digital power supply).

If latch-up occurs, the supply current increases rapidly, sometimes resulting in thermal breakdown of the device. Use meticulous care not to let any voltage exceed the maximum rating.

2. Treatment of unused pins

Leaving unused input pins unconnected can cause abnormal operation or latch-up, leading to permanent damage.

Unused input pins should always be pulled up or down through resistance of at least 2 k Ω . Any unused input/output pins may be set to output mode and left open, or set to input mode and treated the same as unused input pins. If there is unused output pin, make it to open.

3. Treatment of power supply pins on models with A/D converters

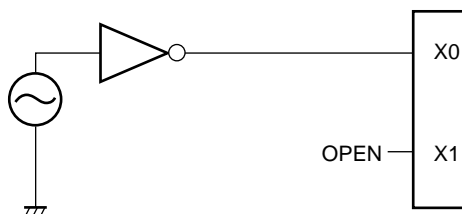
Even when the A/D converters are not in use, be sure to make the necessary connections $AV_{CC} = AVRH = V_{CC}$, and $AV_{SS} = V_{SS}$.

4. About the attention when the external clock is used

Even when using an external clock signal, an oscillation stabilization delay is applied after a power-on reset or when recovering from sub clock or stop mode. When using an external clock, 25 MHz should be the upper frequency limit.

The following figure shows a sample use of external clock signals.

- Using external clock



5. Treatment of power supply pins (V_{CC}/V_{SS})

In products with multiple V_{CC} or V_{SS} pins, the pins of the same potential are internally connected in the device to avoid abnormal operations including latch-up. However, you must connect the pins to external power supply and a ground line to lower the electro-magnetic emission level, to prevent abnormal operation of strobe signals caused by the rise in the ground level, and to conform to the total output current rating. Moreover, connect the current supply source with the V_{CC} and V_{SS} pins of this device at the low impedance.

It is also advisable to connect a ceramic bypass capacitor of approximately 0.1 μF between V_{CC} pin and V_{SS} pin near this device.

6. About Crystal oscillator circuit

Noise near the X0/X1 pins and X0A/X1A pins may cause the device to malfunction. Design the printed circuit board so that X0/X1 pins and X0A/X1A pins, the crystal oscillator (or the ceramic oscillator) and the bypass capacitor to ground are located as close to the device as possible.

It is strongly recommended to design the PC board artwork with the X0/X1 pins and X0A/X1A pins surrounded by ground plane because stable operation can be expected with such a layout.

Please ask the crystal maker to evaluate the oscillational characteristics of the crystal and this device.

7. Caution on Operations during PLL Clock Mode

On this microcontroller, if in case the crystal oscillator breaks off or an external reference clock input stops while the PLL clock mode is selected, a self-oscillator circuit contained in the PLL may continue its operation at its self-running frequency. However, Fujitsu Microelectronics will not guarantee results of operations if such failure occurs.

8. Stabilization of supply voltage

A sudden change in the supply voltage may cause the device to malfunction even within the V_{CC} supply voltage operating range. For stabilization reference, the supply voltage should be stabilized so that V_{CC} ripple variations (peak-to-peak value) at commercial frequencies (50 Hz/60 Hz) fall below 10% of the standard V_{CC} supply voltage and the transient regulation does not exceed 0.1 V/ms at temporary changes such as power supply switching.

9. When the dual-supply is used as a single-supply device

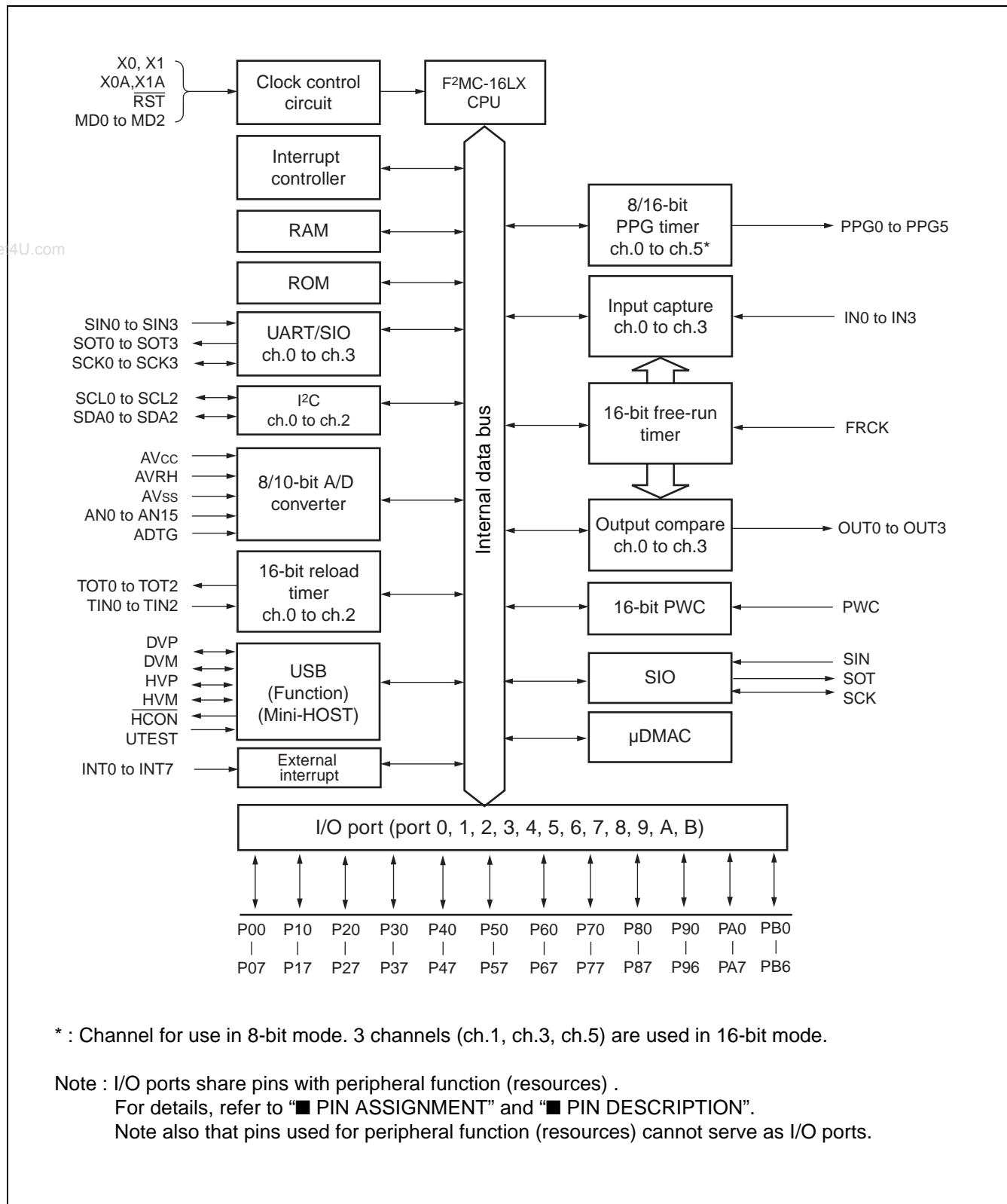
If you are using only a single-system of the MB90330A series that come in the dual-system product, use it with $X0A = V_{SS}$: $X1A = OPEN$.

10. Writing to flash memory

For serial writing to flash memory, always make sure that the operating voltage V_{CC} is between 3.13 V and 3.6 V.

For normal writing to flash memory, always make sure that the operating voltage V_{CC} is between 3.0 V and 3.6 V.

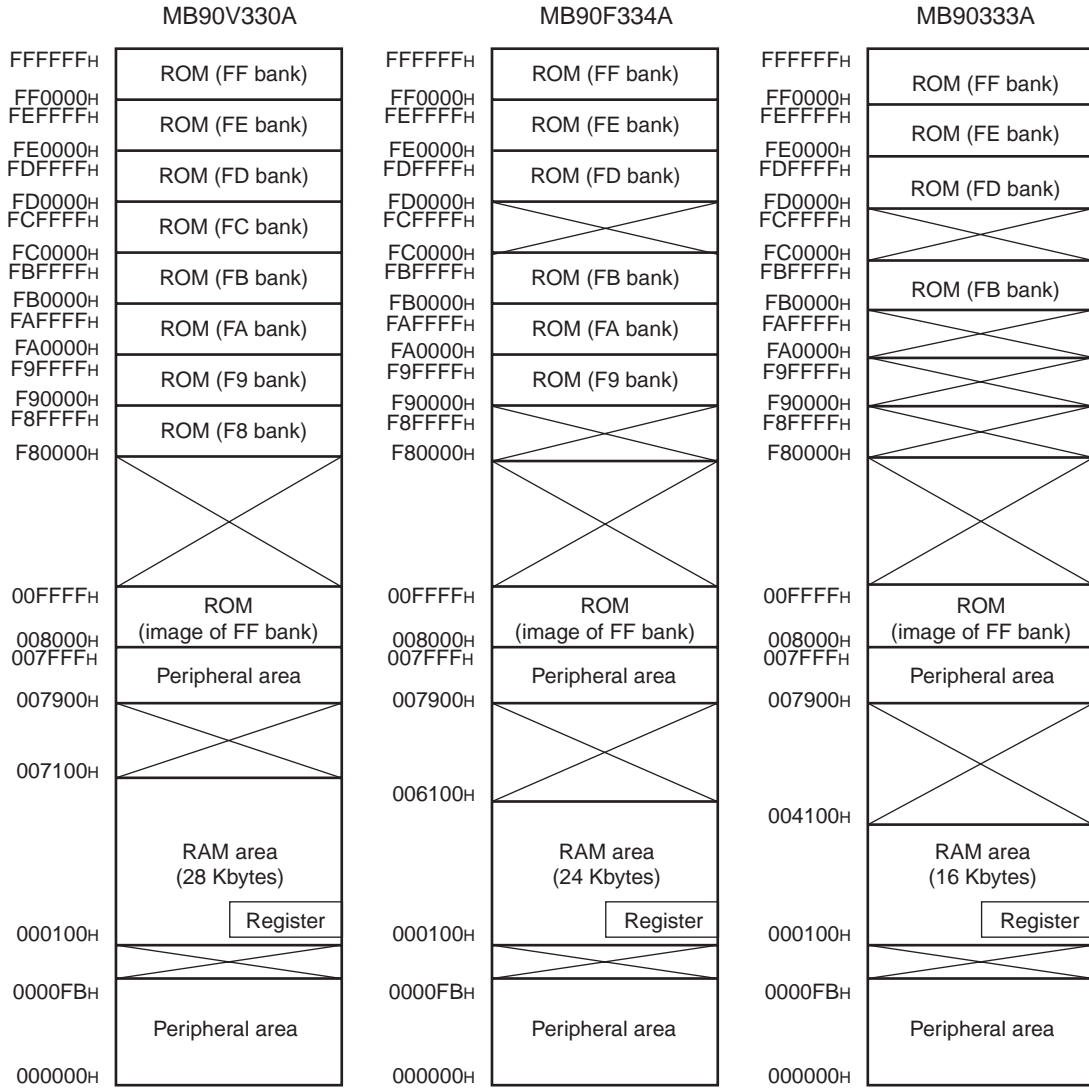
■ BLOCK DIAGRAM



MB90330A Series

MEMORY MAP

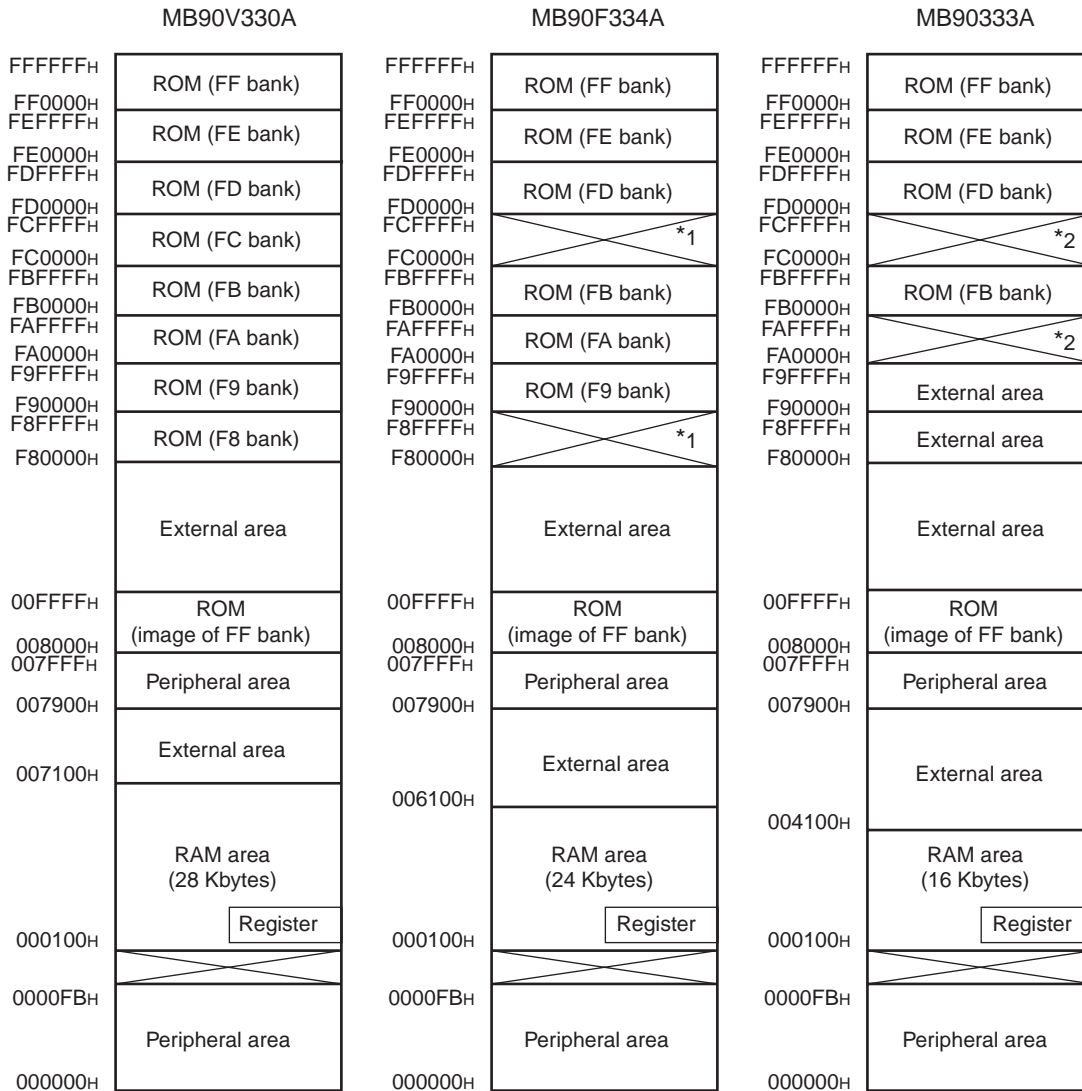
Single chip mode (with ROM mirror function)



Memory map of MB90330A series (1/3)

MB90330A Series

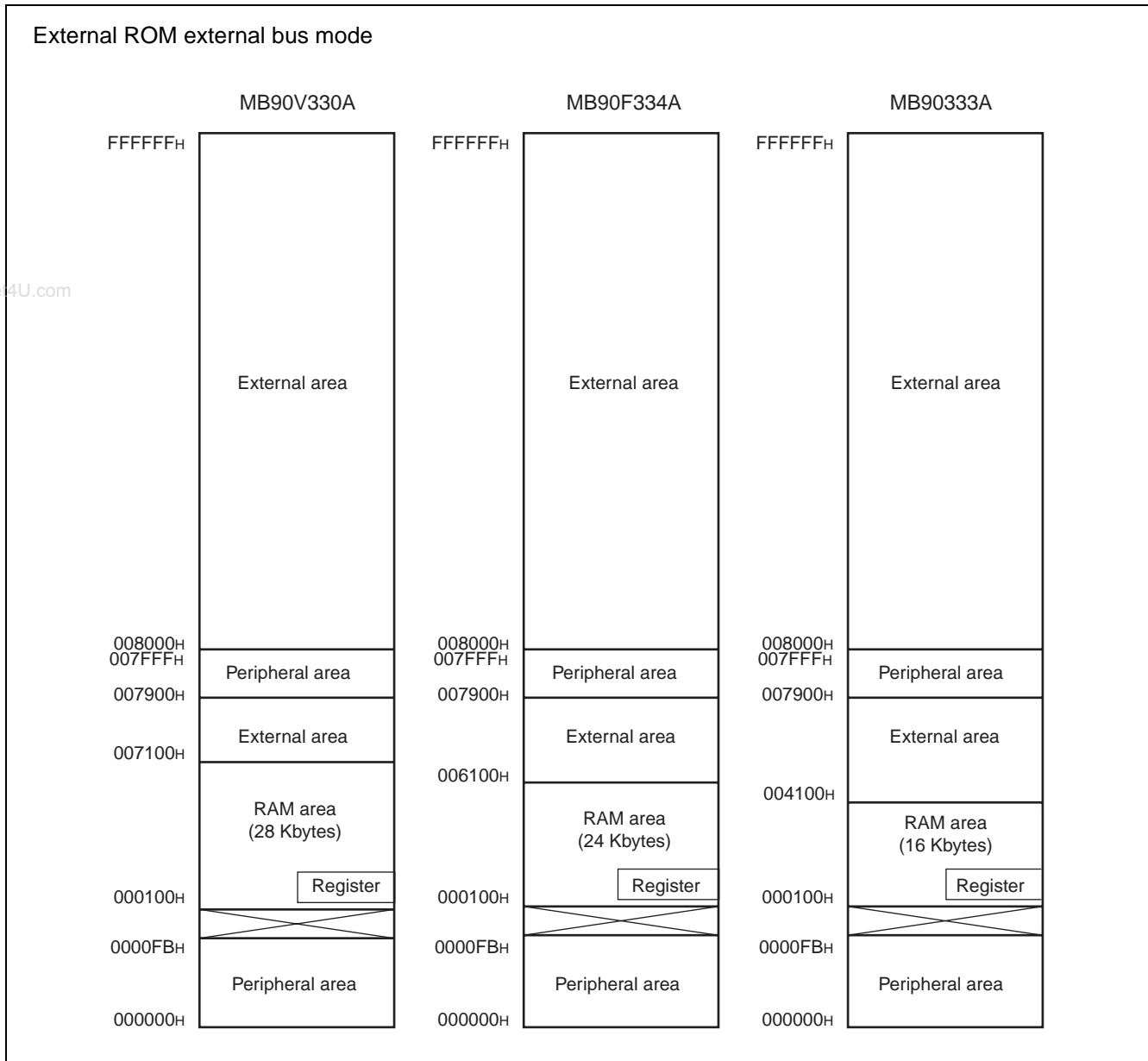
Internal ROM external bus mode (with ROM mirror function)



*1 : In the area of F80000H to F8FFFFH and FC0000H to FCFFFFH at MB90F334A, a value of "1" is read at read operating.

*2 : In the area of FA0000H to FAFFFFH and FC0000H to FCFFFFH at MB90333A, a value of "1" is read at read operating.

MB90330A Series

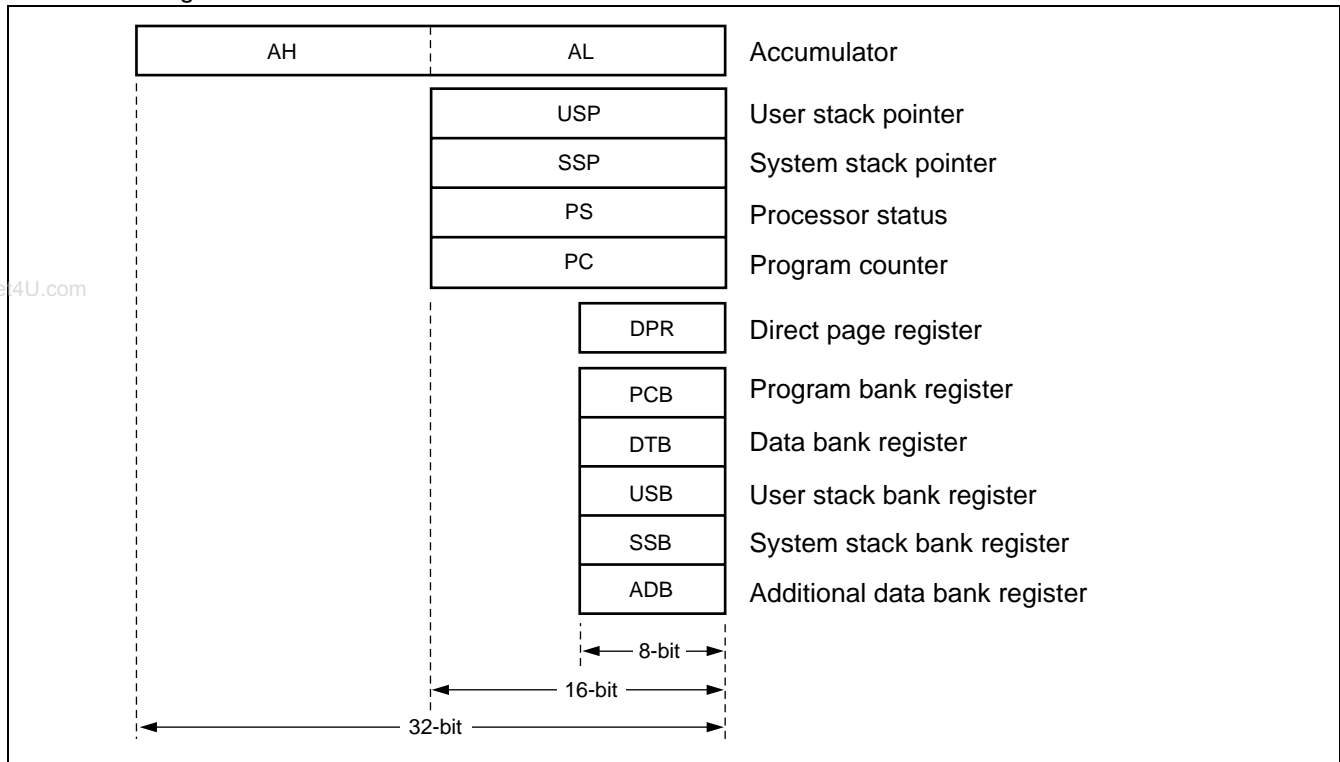


Memory map of MB90330A series (3/3)

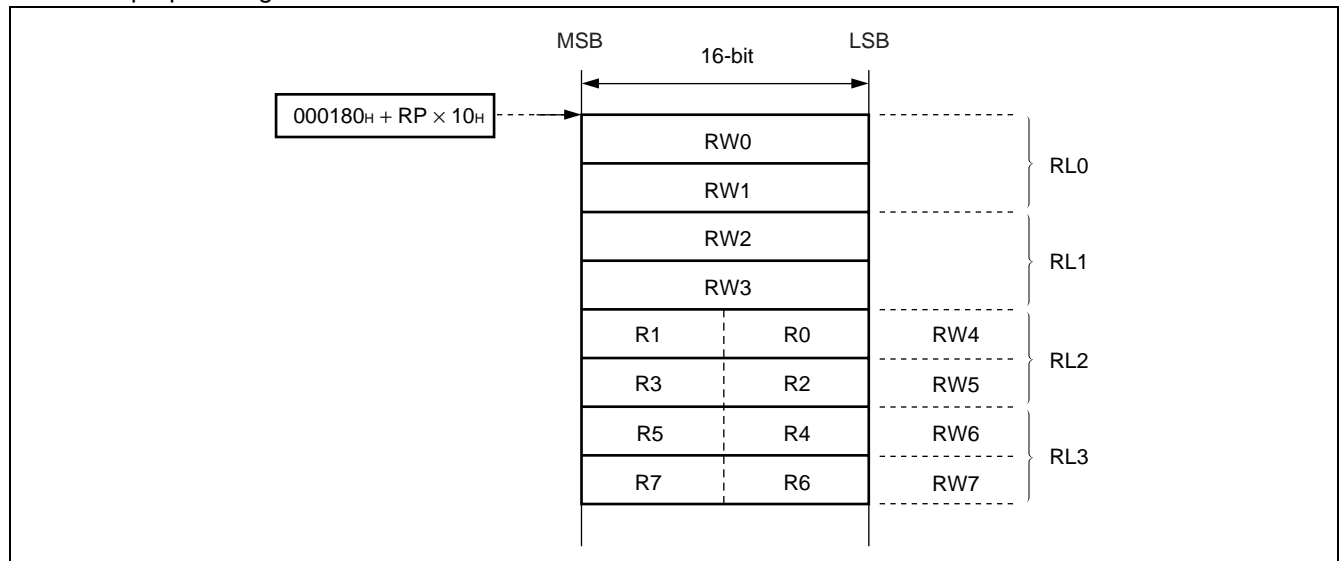
- Notes :
- When the ROM mirror function register has been set, the mirror image data at higher addresses ("FF8000H to FFFFFFFH") of bank FF is visible from the higher addresses ("008000H to 00FFFFH") of bank 00.
 - The ROM mirror function is effective for using the C compiler small model.
 - The lower 16-bit addresses of bank FF are equivalent to those of bank 00. Since the ROM area in bank FF exceeds 48 Kbytes, however, the mirror image of all the data in the ROM area cannot be reproduced in bank 00.
 - When the C compiler small model is used, the data table mirror image can be shown at "008000H to 00FFFFH" by storing the data table at "FF8000H to FFFFFFFH". Therefore, data tables in the ROM area can be referred without declaring the far addressing with the pointer.

■ F²MC-16L CPU PROGRAMMING MODEL

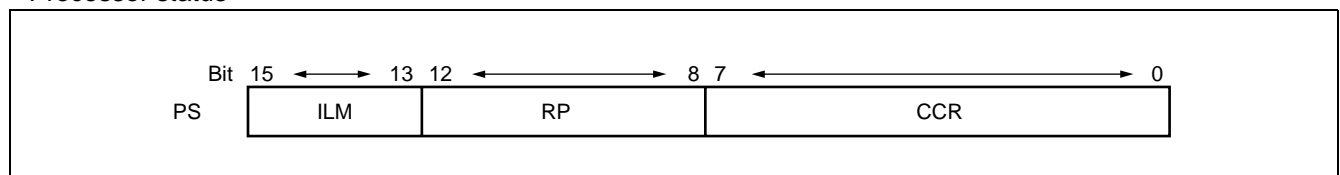
• Dedicated register



• General purpose register



• Processor status



MB90330A Series

■ I/O MAP

Address	Register abbreviation	Register	Read/Write	Resource name	Initial Value
000000 _H	PDR0	Port 0 Data Register	R/W	Port 0	XXXXXXXX _B
000001 _H	PDR1	Port 1 Data Register	R/W	Port 1	XXXXXXXX _B
000002 _H	PDR2	Port 2 Data Register	R/W	Port 2	XXXXXXXX _B
000003 _H	PDR3	Port 3 Data Register	R/W	Port 3	XXXXXXXX _B
000004 _H	PDR4	Port 4 Data Register	R/W	Port 4	XXXXXXXX _B
000005 _H	PDR5	Port 5 Data Register	R/W	Port 5	XXXXXXXX _B
000006 _H	PDR6	Port 6 Data Register	R/W	Port 6	XXXXXXXX _B
000007 _H	PDR7	Port 7 Data Register	R/W	Port 7	XXXXXXXX _B
000008 _H	PDR8	Port 8 Data Register	R/W	Port 8	XXXXXXXX _B
000009 _H	PDR9	Port 9 Data Register	R/W	Port 9	- XXXXXXX _B
00000A _H	PDRA	Port A Data Register	R/W	Port A	XXXXXXXX _B
00000B _H	Prohibited				
00000C _H	PDRB	Port B Data Register	R/W	Port B	- XXXXXXX _B
00000D _H	DDRB	Port B Direction Register	R/W	Port B	- 0 0 0 0 0 0 _B
00000E _H	Prohibited				
00000F _H	Prohibited				
000010 _H	DDR0	Port 0 Direction Register	R/W	Port 0	0 0 0 0 0 0 0 _B
000011 _H	DDR1	Port 1 Direction Register	R/W	Port 1	0 0 0 0 0 0 0 _B
000012 _H	DDR2	Port 2 Direction Register	R/W	Port 2	0 0 0 0 0 0 0 _B
000013 _H	DDR3	Port 3 Direction Register	R/W	Port 3	0 0 0 0 0 0 0 _B
000014 _H	DDR4	Port 4 Direction Register	R/W	Port 4	0 0 0 0 0 0 0 _B
000015 _H	DDR5	Port 5 Direction Register	R/W	Port 5	0 0 0 0 0 0 0 _B
000016 _H	DDR6	Port 6 Direction Register	R/W	Port 6	0 0 0 0 0 0 0 _B
000017 _H	DDR7	Port 7 Direction Register	R/W	Port 7	0 0 0 0 0 0 0 _B
000018 _H	DDR8	Port 8 Direction Register	R/W	Port 8	0 0 0 0 0 0 0 _B
000019 _H	DDR9	Port 9 Direction Register	R/W	Port 9	- 0 0 0 0 0 0 0 _B
00001A _H	DDRA	Port A Direction Register	R/W	Port A	0 0 0 0 0 0 0 _B
00001B _H	ODR4	Port 4 Output Pin Register	R/W	Port 4 (open drain control)	0 0 0 0 0 0 0 _B
00001C _H	RDR0	Port 0 Pull-up Resistance Register	R/W	Port 0 (PULL-UP)	0 0 0 0 0 0 0 _B
00001D _H	RDR1	Port 1 Pull-up Resistance Register	R/W	Port 1 (PULL-UP)	0 0 0 0 0 0 0 _B
00001E _H	ADER0	Analog Input Enable Register 0	R/W	Port 7, 8, A/D	1 1 1 1 1 1 1 _B
00001F _H	ADER1	Analog Input Enable Register 1	R/W	Port 7, 8, A/D	1 1 1 1 1 1 1 _B
000020 _H	SMR0	Serial Mode Register 0	R/W	UART0	0 0 1 0 0 0 0 _B
000021 _H	SCR0	Serial Control Register 0	R/W		0 0 0 0 0 1 0 _B
000022 _H	SIDR0	Serial Input Data Register 0	R		XXXXXXXX _B
	SODR0	Serial Output Data Register 0	W		
000023 _H	SSR0	Serial Status Register 0	R/W		0 0 0 0 1 0 0 _B
000024 _H	UTRLR0	UART Prescaler Reload Register 0	R/W	Communication	0 0 0 0 0 0 0 _B
000025 _H	UTCRC0	UART Prescaler Control Register 0	R/W	Prescaler (UART0)	0 0 0 0 - 0 0 _B

(Continued)

MB90330A Series

Address	Register abbreviation	Register	Read/Write	Resource name	Initial Value
000026H	SMR1	Serial Mode Register 1	R/W	UART1	0 0 1 0 0 0 0 0 _B
000027H	SCR1	Serial Control Register 1	R/W		0 0 0 0 0 1 0 0 _B
000028H	SIDR1	Serial Input Data Register 1	R		XXXXXXXX _B
	SODR1	Serial Output Data Register 1	W		
000029H	SSR1	Serial Status Register 1	R/W		0 0 0 0 1 0 0 0 _B
00002AH	UTRLR1	UART Prescaler Reload Register 1	R/W	Communication Prescaler (UART1)	0 0 0 0 0 0 0 0 _B
00002BH	UTCR1	UART Prescaler Control Register 1	R/W		0 0 0 0 - 0 0 0 _B
00002CH	SMR2	Serial Mode Register 2	R/W	UART2	0 0 1 0 0 0 0 0 _B
00002DH	SCR2	Serial Control Register 2	R/W		0 0 0 0 0 1 0 0 _B
00002EH	SIDR2	Serial Input Data Register 2	R		XXXXXXXX _B
	SODR2	Serial Output Data Register 2	W		
00002FH	SSR2	Serial Status Register 2	R/W		0 0 0 0 1 0 0 0 _B
000030H	UTRLR2	UART Prescaler Reload Register 2	R/W	Communication Prescaler (UART2)	0 0 0 0 0 0 0 0 _B
000031H	UTCR2	UART Prescaler Control Register 2	R/W		0 0 0 0 - 0 0 0 _B
000032H	SMR3	Serial Mode Register 3	R/W	UART3	0 0 1 0 0 0 0 0 _B
000033H	SCR3	Serial Control Register 3	R/W		0 0 0 0 0 1 0 0 _B
000034H	SIDR3	Serial Input Data Register 3	R		XXXXXXXX _B
	SODR3	Serial Output Data Register 3	W		
000035H	SSR3	Serial Status Register 3	R/W		0 0 0 0 1 0 0 0 _B
000036H	UTRLR3	UART Prescaler Reload Register 3	R/W	Communication Prescaler (UART3)	0 0 0 0 0 0 0 0 _B
000037H	UTCR3	UART Prescaler Control Register 3	R/W		0 0 0 0 - 0 0 0 _B
000038H to 00003BH	Prohibited				
00003CH	ENIR	DTP/Interrupt Enable Register	R/W	DTP/External Interrupt	0 0 0 0 0 0 0 0 _B
00003DH	EIRR	DTP/Interrupt Source Register	R/W		0 0 0 0 0 0 0 0 _B
00003EH	ELVR	Request Level Setting Register Lower	R/W		0 0 0 0 0 0 0 0 _B
00003FH		Request Level Setting Register Upper	R/W		0 0 0 0 0 0 0 0 _B
000040H	ADCS0	A/D Control Status Register Lower	R/W	8/10-bit A/D Converter	0 0 - - - - 0 _B
000041H	ADCS1	A/D Control Status Register Upper	R/W		0 0 0 0 0 0 0 0 _B
000042H	ADCR0	A/D Data Register Lower	R/W		XXXXXXXX _B
000043H	ADCR1	A/D Data Register Upper	R/W		0 0 1 0 1 XXX _B
000044H	Prohibited				
000045H	ADMR	A/D Conversion Channel Selection Register	R/W	8/10-bit A/D Converter	0 0 0 0 0 0 0 0 _B
000046H	PPGC0	PPG0 Operation Mode Control Register	R/W	PPG ch.0	0X0 0 0XX1 _B
000047H	PPGC1	PPG1 Operation Mode Control Register	R/W	PPG ch.1	0X0 0 0 0 0 1 _B
000048H	PPGC2	PPG2 Operation Mode Control Register	R/W	PPG ch.2	0X0 0 0XX1 _B

(Continued)

MB90330A Series

Address	Register abbreviation	Register	Read/Write	Resource name	Initial Value
000049 _H	PPGC3	PPG3 Operation Mode Control Register	R/W	PPG ch.3	0X0 0 0 0 0 1 _B
00004A _H	PPGC4	PPG4 Operation Mode Control Register	R/W	PPG ch.4	0X0 0 0XX1 _B
00004B _H	PPGC5	PPG5 Operation Mode Control Register	R/W	PPG ch.5	0X0 0 0 0 0 1 _B
00004C _H	PPG01	PPG0 and PPG1 Output Control Register	R/W	PPG ch.0/ch.1	0 0 0 0 0 0XX _B
00004D _H	Prohibited				
00004E _H	PPG23	PPG2 and PPG3 Output Control Register	R/W	PPG ch.2/ch.3	0 0 0 0 0 0 XX _B
00004F _H	Prohibited				
000050 _H	PPG45	PPG4 and PPG5 Output Control Register	R/W	PPG ch.4/ch.5	0 0 0 0 0 0 XX _B
000051 _H	Prohibited				
000052 _H	ICS01	Input Capture Control Status Register 01	R/W	Input Capture ch.0/ch.1	0 0 0 0 0 0 0 0 _B
000053 _H	ICS23	Input Capture Control Status Register 23	R/W	Input Capture ch.2/ch.3	0 0 0 0 0 0 0 0 _B
000054 _H	OCS0	Output Compare Control Register ch.0 Lower	R/W	Output Compare ch.0/ch.1	0 0 0 0 - - 0 0 _B
000055 _H	OCS1	Output Compare Control Register ch.1 Upper	R/W		- - - 0 0 0 0 0 0 _B
000056 _H	OCS2	Output Compare Control Register ch.2 Lower	R/W	Output Compare ch.2/ch.3	0 0 0 0 - - 0 0 _B
000057 _H	OCS3	Output Compare Control Register ch.3 Upper	R/W		- - - 0 0 0 0 0 0 _B
000058 _H	SMCS	Serial Mode Control Status Register	R/W	Extended Serial I/O	XXXX0 0 0 0 _B
000059 _H					0 0 0 0 0 0 1 0 _B
00005A _H	SDR	Serial Data Register	R/W		XXXXXXXX _B
00005B _H	SDCR	Communication Prescaler Control Register	R/W	Communication Prescaler	0XXX0 0 0 0 _B
00005C _H	PWCSR	PWC Control Status Register	R/W	16-bit PWC Timer	0 0 0 0 0 0 0 0 _B
00005D _H					0 0 0 0 0 0 0 X _B
00005E _H	PWCR	PWC Data Buffer Register	R/W		0 0 0 0 0 0 0 0 _B
00005F _H					0 0 0 0 0 0 0 0 _B
000060 _H	DIVR	PWC Dividing Ratio Control Register	R/W		- - - - - 0 0 _B
000061 _H	Prohibited				
000062 _H	TMCSR0	Timer Control Status Register 0	R/W	16-bit Reload Timer ch.0	0 0 0 0 0 0 0 0 _B
000063 _H					XXXX 0 0 0 0 _B
000064 _H	TMR0	16-bit Timer Register 0 Lower	R		XXXXXXXX _B
	TMRLR0	16-bit Reload Register 0 Lower	W		XXXXXXXX _B
000065 _H	TMR0	16-bit Timer Register 0 Upper	R		XXXXXXXX _B
	TMRLR0	16-bit Reload Register 0 Upper	W		XXXXXXXX _B

(Continued)

MB90330A Series

Address	Register abbreviation	Register	Read/Write	Resource name	Initial Value	
000066 _H	TMCSR1	Timer Control Status Register 1	R/W	16-bit Reload Timer ch.1	0 0 0 0 0 0 0 0 _B	
000067 _H					XXXX 0 0 0 0 _B	
000068 _H	TMR1	16-bit Timer Register 1 Lower	R		XXXXXXXX _B	
	TMRLR1	16-bit Reload Register 1 Lower	W		XXXXXXXX _B	
000069 _H	TMR1	16-bit Timer Register 1 Upper	R		XXXXXXXX _B	
	TMRLR1	16-bit Reload Register 1 Upper	W		XXXXXXXX _B	
00006A _H	TMCSR2	Timer Control Status Register 2	R/W		16-bit Reload Timer ch.2	0 0 0 0 0 0 0 0 _B
00006B _H						XXXX 0 0 0 0 _B
00006C _H	TMR2	16-bit Timer Register 2 Lower	R	XXXXXXXX _B		
	TMRLR2	16-bit Reload Register 2 Lower	W	XXXXXXXX _B		
00006D _H	TMR2	16-bit Timer Register 2 Upper	R	XXXXXXXX _B		
	TMRLR2	16-bit Reload Register 2 Upper	W	XXXXXXXX _B		
00006E _H	Prohibited					
00006F _H	ROMM	ROM Mirror Function Selection Register	W	ROM Mirror Function Selection Module		----- 1 1 _B
000070 _H	IBSR0	I ² C Bus Status Register 0	R	I ² C Bus Interface ch.0	0 0 0 0 0 0 0 0 _B	
000071 _H	IBCR0	I ² C Bus Control Register 0	R/W		0 0 0 0 0 0 0 0 _B	
000072 _H	ICCR0	I ² C Bus Clock Control Register 0	R/W		XX 0 XXXXX _B	
000073 _H	IADR0	I ² C Bus Address Register 0	R/W		XXXXXXXX _B	
000074 _H	IDAR0	I ² C Bus Data Register 0	R/W		XXXXXXXX _B	
000075 _H	Prohibited					
000076 _H	IBSR1	I ² C Bus Status Register 1	R	I ² C Bus Interface ch.1	0 0 0 0 0 0 0 0 _B	
000077 _H	IBCR1	I ² C Bus Control Register 1	R/W		0 0 0 0 0 0 0 0 _B	
000078 _H	ICCR1	I ² C Bus Clock Control Register 1	R/W		XX 0 XXXXX _B	
000079 _H	IADR1	I ² C Bus Address Register 1	R/W		XXXXXXXX _B	
00007A _H	IDAR1	I ² C Bus Data Register 1	R/W		XXXXXXXX _B	
00007B _H	Prohibited					
00007C _H	IBSR2	I ² C Bus Status Register 2	R	I ² C Bus Interface ch.2	0 0 0 0 0 0 0 0 _B	
00007D _H	IBCR2	I ² C Bus Control Register 2	R/W		0 0 0 0 0 0 0 0 _B	
00007E _H	ICCR2	I ² C Bus Clock Control Register 2	R/W		XX 0 XXXXX _B	
00007F _H	IADR2	I ² C Bus Address Register 2	R/W		XXXXXXXX _B	
000080 _H	IDAR2	I ² C Bus Data Register 2	R/W		XXXXXXXX _B	
000081 _H to 000085 _H	Prohibited					

(Continued)

MB90330A Series

Address	Register abbreviation	Register	Read/Write	Resource name	Initial Value
000086 _H	TCDT	Timer Data Register Lower	R/W	16-bit Free-Run Timer	0 0 0 0 0 0 0 0 _B
000087 _H		Timer Data Register Upper	R/W		0 0 0 0 0 0 0 0 _B
000088 _H	TCCS	Timer Control Status Register Lower	R/W		0 0 0 0 0 0 0 0 _B
000089 _H		Timer Control Status Register Upper	R/W		0 - - 0 0 0 0 0 _B
00008A _H	CPCLR	Compare Clear Register Lower	R/W		XXXXXXXX _B
00008B _H		Compare Clear Register Upper	R/W		XXXXXXXX _B
00008C _H to 00009A _H	Prohibited				
00009B _H	DCSR	DMA Descriptor Channel Specification Register	R/W	μDMAC	0 0 0 0 0 0 0 0 _B
00009C _H	DSRL	DMA Status Register Lower	R/W		0 0 0 0 0 0 0 0 _B
00009D _H	DSRH	DMA Status Register Upper	R/W		0 0 0 0 0 0 0 0 _B
00009E _H	PACSR	Program Address Detection Control Status Register	R/W	Address Match Detection	0 0 0 0 0 0 0 0 _B
00009F _H	DIRR	Delay Interruption Factor Generation/Release Register	R/W	Delay Interrupt	- - - - - 0 _B
0000A0 _H	LPMCR	Low Power Consumption Mode Control Register	R/W	Low Power Consumption Control Circuit	0 0 0 1 1 0 0 0 _B
0000A1 _H	CKSCR	Clock Selection Register	R/W	Clock	1 1 1 1 1 1 0 0 _B
0000A2 _H 0000A3 _H	Prohibited				
0000A4 _H	DSSR	DMA Stop Status Register	R/W	μDMAC	0 0 0 0 0 0 0 0 _B
0000A5 _H	ARSR	Automatic Ready Function Selection Register	W	External Pin	0 0 1 1 - - 0 0 _B
0000A6 _H	HACR	External Address Output Control Register	W		* * * * * _B
0000A7 _H	EPCR	Bus Control Signal Selection Register	W		1 0 0 0 * 1 0 - _B
0000A8 _H	WDTC	Watchdog Timer Control Register	R/W	Watchdog Timer	X - XXX 1 1 1 _B
0000A9 _H	TBTC	Time-base Timer Control Register	R/W	Time-base Timer	1 - - 0 0 1 0 0 _B
0000AA _H	WTC	Watch Timer Control Register	R/W	Watch Timer	1 0 0 0 1 0 0 0 _B
0000AB _H	Prohibited				
0000AC _H	DERL	DMA Enable Register Lower	R/W	μDMAC	0 0 0 0 0 0 0 0 _B
0000AD _H	DERH	DMA Enable Register Upper	R/W		0 0 0 0 0 0 0 0 _B
0000AE _H	FMCS	Flash Memory Control Status Register	R/W	Flash Memory I/F	0 0 0 X 0 0 0 0 _B
0000AF _H	Prohibited				

(Continued)

MB90330A Series

Address	Register abbreviation	Register	Read/Write	Resource name	Initial Value
0000B0 _H	ICR00	Interrupt Control Register 00	R/W	Interrupt Controller	0 0 0 0 0 1 1 1 _B
0000B1 _H	ICR01	Interrupt Control Register 01	R/W		0 0 0 0 0 1 1 1 _B
0000B2 _H	ICR02	Interrupt Control Register 02	R/W		0 0 0 0 0 1 1 1 _B
0000B3 _H	ICR03	Interrupt Control Register 03	R/W		0 0 0 0 0 1 1 1 _B
0000B4 _H	ICR04	Interrupt Control Register 04	R/W		0 0 0 0 0 1 1 1 _B
0000B5 _H	ICR05	Interrupt Control Register 05	R/W		0 0 0 0 0 1 1 1 _B
0000B6 _H	ICR06	Interrupt Control Register 06	R/W		0 0 0 0 0 1 1 1 _B
0000B7 _H	ICR07	Interrupt Control Register 07	R/W		0 0 0 0 0 1 1 1 _B
0000B8 _H	ICR08	Interrupt Control Register 08	R/W		0 0 0 0 0 1 1 1 _B
0000B9 _H	ICR09	Interrupt Control Register 09	R/W		0 0 0 0 0 1 1 1 _B
0000BA _H	ICR10	Interrupt Control Register 10	R/W		0 0 0 0 0 1 1 1 _B
0000BB _H	ICR11	Interrupt Control Register 11	R/W		0 0 0 0 0 1 1 1 _B
0000BC _H	ICR12	Interrupt Control Register 12	R/W		0 0 0 0 0 1 1 1 _B
0000BD _H	ICR13	Interrupt Control Register 13	R/W		0 0 0 0 0 1 1 1 _B
0000BE _H	ICR14	Interrupt Control Register 14	R/W		0 0 0 0 0 1 1 1 _B
0000BF _H	ICR15	Interrupt Control Register 15	R/W		0 0 0 0 0 1 1 1 _B
0000C0 _H	HCNT0	Host Control Register 0	R/W	USB Mini-HOST	0 0 0 0 0 0 0 0 _B
0000C1 _H	HCNT1	Host Control Register 1	R/W		0 0 0 0 0 0 0 1 _B
0000C2 _H	HIRQ	Host Interruption Register	R/W		0 0 0 0 0 0 0 0 _B
0000C3 _H	HERR	Host Error Status Register	R/W		0 0 0 0 0 0 1 1 _B
0000C4 _H	HSTATE	Host State Status Register	R/W		XX 0 1 0 0 1 0 _B
0000C5 _H	HFCOMP	SOF Interrupt FRAME Compare Register	R/W		0 0 0 0 0 0 0 0 _B
0000C6 _H	HRTIMER	Retry Timer Setting Register	R/W		0 0 0 0 0 0 0 0 _B
0000C7 _H			R/W		0 0 0 0 0 0 0 0 _B
0000C8 _H			R/W		XXXXXX 0 0 _B
0000C9 _H	HADR	Host Address Register	R/W		X 0 0 0 0 0 0 0 _B
0000CA _H	HEOF	EOF Setting Register	R/W		0 0 0 0 0 0 0 0 _B
0000CB _H			R/W		XX 0 0 0 0 0 0 _B
0000CC _H	HFRAME	FRAME Setting Register	R/W		0 0 0 0 0 0 0 0 _B
0000CD _H			R/W		XXXXX 0 0 0 _B
0000CE _H	HTOKEN	Host Token End Point Register	R/W		0 0 0 0 0 0 0 0 _B
0000CF _H	Prohibited				
0000D0 _H	UDCC	UDC Control Register	R/W	USB Function	1 0 1 0 0 0 0 0 _B
0000D1 _H			R/W		0 0 0 0 0 0 0 0 _B

(Continued)

MB90330A Series

Address	Register abbreviation	Register	Read/Write	Resource name	Initial Value
0000D2 _H	EP0C	EP0 Control Register	R/W	USB Function	0 1 0 0 0 0 0 0 _B
0000D3 _H			R/W		XXXX 0 0 0 0 _B
0000D4 _H	EP1C	EP1 Control Register	R/W		0 0 0 0 0 0 0 0 _B
0000D5 _H			R/W		0 1 1 0 0 0 0 1 _B
0000D6 _H	EP2C	EP2 Control Register	R/W		0 1 0 0 0 0 0 0 _B
0000D7 _H			R/W		0 1 1 0 0 0 0 0 _B
0000D8 _H	EP3C	EP3 Control Register	R/W		0 1 0 0 0 0 0 0 _B
0000D9 _H			R/W		0 1 1 0 0 0 0 0 _B
0000DA _H	EP4C	EP4 Control Register	R/W		0 1 0 0 0 0 0 0 _B
0000DB _H			R/W		0 1 1 0 0 0 0 0 _B
0000DC _H	EP5C	EP5 Control Register	R/W		0 1 0 0 0 0 0 0 _B
0000DD _H			R/W		0 1 1 0 0 0 0 0 _B
0000DE _H	TMSP	Time Stamp Register	R		0 0 0 0 0 0 0 0 _B
0000DF _H			R		XXXXX0 0 0 _B
0000E0 _H	UDCS	UDC Status Register	R/W		XX0 0 0 0 0 0 _B
0000E1 _H	UDCIE	UDC Interrupt Enable Register	R/W, R		0 0 0 0 0 0 0 0 _B
0000E2 _H	EP0IS	EP0I Status Register	R/W		XXXXXXXX _B
0000E3 _H			R/W		1 0 XXX 1 XX _B
0000E4 _H	EP0OS	EP0O Status Register	R/W, R		0 XXXXXXX _B
0000E5 _H			R/W		1 0 0 XX 0 0 0 _B
0000E6 _H	EP1S	EP1 Status Register	R		XXXXXXXX _B
0000E7 _H			R/W, R		1 0 0 0 0 0 0 X _B
0000E8 _H	EP2S	EP2 Status Register	R		XXXXXXXX _B
0000E9 _H			R/W, R		1 0 0 0 0 0 0 0 _B
0000EA _H	EP3S	EP3 Status Register	R		XXXXXXXX _B
0000EB _H			R/W, R		1 0 0 0 0 0 0 0 _B
0000EC _H	EP4S	EP4 Status Register	R		XXXXXXXX _B
0000ED _H			R/W, R		1 0 0 0 0 0 0 0 _B
0000EE _H	EP5S	EP5 Status Register	R		XXXXXXXX _B
0000EF _H			R/W, R		1 0 0 0 0 0 0 0 _B
0000F0 _H	EP0DT	EP0 Data Register	R/W		XXXXXXXX _B
0000F1 _H			R/W		XXXXXXXX _B
0000F2 _H	EP1DT	EP1 Data Register	R/W	XXXXXXXX _B	
0000F3 _H			R/W	XXXXXXXX _B	
0000F4 _H	EP2DT	EP2 Data Register	R/W	XXXXXXXX _B	
0000F5 _H			R/W	XXXXXXXX _B	
0000F6 _H	EP3DT	EP3 Data Register	R/W	XXXXXXXX _B	
0000F7 _H			R/W	XXXXXXXX _B	

(Continued)

MB90330A Series

Address	Register abbreviation	Register	Read/Write	Resource name	Initial Value
0000F8 _H	EP4DT	EP4 Data Register	R/W	USB Function	XXXXXXXX _B
0000F9 _H			R/W		XXXXXXXX _B
0000FA _H	EP5DT	EP5 Data Register	R/W		XXXXXXXX _B
0000FB _H			R/W		XXXXXXXX _B
0000FC _H to 0000FF _H	Prohibited				
000100 _H to # _H	RAM Area				
001FF0 _H	PADR0	Program Address Detection Register ch.0 Lower	R/W	Address Match Detection	XXXXXXXX _B
001FF1 _H		Program Address Detection Register ch.0 Middle	R/W		XXXXXXXX _B
001FF2 _H		Program Address Detection Register ch.0 Upper	R/W		XXXXXXXX _B
001FF3 _H	PADR1	Program Address Detection Register ch.1 Lower	R/W		XXXXXXXX _B
001FF4 _H		Program Address Detection Register ch.1 Middle	R/W		XXXXXXXX _B
001FF5 _H		Program Address Detection Register ch.1 Upper	R/W		XXXXXXXX _B
# _H to 0078FF _H	Unused Area				
007900 _H	PRL0	PPG Reload Register Lower ch.0	R/W	PPG ch.0	XXXXXXXX _B
007901 _H	PRLH0	PPG Reload Register Upper ch.0	R/W		XXXXXXXX _B
007902 _H	PRL1	PPG Reload Register Lower ch.1	R/W	PPG ch.1	XXXXXXXX _B
007903 _H	PRLH1	PPG Reload Register Upper ch.1	R/W		XXXXXXXX _B
007904 _H	PRL2	PPG Reload Register Lower ch.2	R/W	PPG ch.2	XXXXXXXX _B
007905 _H	PRLH2	PPG Reload Register Upper ch.2	R/W		XXXXXXXX _B
007906 _H	PRL3	PPG Reload Register Lower ch.3	R/W	PPG ch.3	XXXXXXXX _B
007907 _H	PRLH3	PPG Reload Register Upper ch.3	R/W		XXXXXXXX _B
007908 _H	PRL4	PPG Reload Register Lower ch.4	R/W	PPG ch.4	XXXXXXXX _B
007909 _H	PRLH4	PPG Reload Register Upper ch.4	R/W		XXXXXXXX _B
00790A _H	PRL5	PPG Reload Register Lower ch.5	R/W	PPG ch.5	XXXXXXXX _B
00790B _H	PRLH5	PPG Reload Register Upper ch.5	R/W		XXXXXXXX _B
00790C _H to 00790F _H	Prohibited				

(Continued)

MB90330A Series

(Continued)

Address	Register abbreviation	Register	Read/Write	Resource name	Initial Value
007910 _H	IPCP0	Input Capture Data Register Lower ch.0	R	Input Capture ch.0/ch.1	XXXXXXXX _B
007911 _H		Input Capture Data Register Upper ch.0	R		XXXXXXXX _B
007912 _H	IPCP1	Input Capture Data Register Lower ch.1	R		XXXXXXXX _B
007913 _H		Input Capture Data Register Upper ch.1	R		XXXXXXXX _B
007914 _H	IPCP2	Input Capture Data Register Lower ch.2	R	Input Capture ch.2/ch.3	XXXXXXXX _B
007915 _H		Input Capture Data Register Upper ch.2	R		XXXXXXXX _B
007916 _H	IPCP3	Input Capture Data Register Lower ch.3	R		XXXXXXXX _B
007917 _H		Input Capture Data Register Upper ch.3	R		XXXXXXXX _B
007918 _H	OCCP0	Output Compare Register Lower ch.0	R/W	Output Compare ch.0/ch.1	XXXXXXXX _B
007919 _H		Output Compare Register Upper ch.0	R/W		XXXXXXXX _B
00791A _H	OCCP1	Output Compare Register Lower ch.1	R/W		XXXXXXXX _B
00791B _H		Output Compare Register Upper ch.1	R/W		XXXXXXXX _B
00791C _H	OCCP2	Output Compare Register Lower ch.2	R/W	Output Compare ch.2/ch.3	XXXXXXXX _B
00791D _H		Output Compare Register Upper ch.2	R/W		XXXXXXXX _B
00791E _H	OCCP3	Output Compare Register Lower ch.3	R/W		XXXXXXXX _B
00791F _H		Output Compare Register Upper ch.3	R/W		XXXXXXXX _B
007920 _H	DBAPL	DMA Buffer Address Pointer Lower 8-bit	R/W	μDMAC	XXXXXXXX _B
007921 _H	DBAPM	DMA Buffer Address Pointer Middle 8-bit	R/W		XXXXXXXX _B
007922 _H	DBAPH	DMA Buffer Address Pointer Upper 8-bit	R/W		XXXXXXXX _B
007923 _H	DMACS	DMA Control Register	R/W		XXXXXXXX _B
007924 _H	DIOAL	DMA I/O Register Address Pointer Lower 8-bit	R/W		XXXXXXXX _B
007925 _H	DIOAH	DMA I/O Register Address Pointer Upper 8-bit	R/W		XXXXXXXX _B
007926 _H	DDCTL	DMA Data Counter Lower 8-bit	R/W		XXXXXXXX _B
007927 _H	DDCTH	DMA Data Counter Upper 8-bit	R/W		XXXXXXXX _B
007928 _H to 007FFF _H	Prohibited				

- Explanation on read/write
R/W : Readable / Writable
R : Read only
W : Write only

- Explanation on initial values
0 : Initial value is "0".
1 : Initial value is "1".
X : Initial value is undefined.
- : Initial value is undefined (None) .
* : Initial value of this bit is "1" or "0".

Note : No I/O instruction can be used for registers located between 007900_H and 007FFF_H.

MB90330A Series

(Continued)

- ◎ : Available, EI²OS stop function provided (The interrupt request flag is cleared by the interrupt clear signal. With a stop request).
- : Available (The interrupt request flag is cleared by the interrupt clear signal.)
- △ : Available when any interrupt source sharing ICR is not used.
- × : Unavailable

*1 : If the same level interrupt is output simultaneously, the lower interrupt factor of interrupt vector number has priority.

*2 : ch.2 and 3 can also be used during Mini-HOST operation.

www.DataSheet4U.com

- Notes :
- If the same interrupt control register (ICR) has two interrupt factors and the use of the EI²OS is permitted, the EI²OS is activated when either of the factors is detected. As any interrupt other than the activation factor is masked while the EI²OS is running, it is recommended that you should mask either of the interrupt requests when using the EI²OS.
 - The interrupt flag is cleared by the EI²OS interrupt clear signal for the resource that has two interrupt factors in the same interrupt control register (ICR).
 - If a resource has two interrupt sources for the same interrupt number, both of the interrupt request flags are cleared by the μ DMAC interrupt clear signal. Therefore, when you use either of two interrupt factors for the DMAC function, another interrupt function is disabled. Set the interrupt request permission bit to "0" in the appropriate resource, and take measures by software polling.

• Content of USB interruption factor

USB interrupt factor	Details
USB function 1	End Point0-IN End Point0-OUT
USB function 2	End Point1-5 *
USB function 3	SUSP SOF BRST WKUP CONF
USB function 4	SPK
USB Mini-HOST1	DIRQ CNNIRQ URIRQ RWKIRQ
USB Mini-HOST2	SOFIRQ CMPIRQ

* : Endpoints 1 and 2 can also be used during Mini-HOST operation.

■ PERIPHERAL RESOURCES

1. I/O port

The I/O ports are used as general-purpose input/output ports (parallel I/O ports). MB90330A series model is provided with 12 ports (94 inputs) . The ports function as input/output pins for peripheral functions also.

The port data register (PDR) can be used to send output data to the I/O pin and to receive the signal input to the I/O port. The port direction register (DDR) can be used to set the I/O direction of the I/O pin in bit units.

The following table lists the I/O ports and the peripheral functions with which they share pins.

	Port Pin Name	Pin Name (Peripheral)	Peripheral Function that Shares Pin
Port 0	P00 to P07	—	(External bus)
Port 1	P10 to P17	—	(External bus)
Port 2	P20 to P23	—	(External bus)
	P24 to P27	PPG0 to PPG3	8/16-bit PPG timer 0, 1 (External bus)
Port 3	P30 to P33	TIN1, TOT1, TIN2, TOT2	16-bit Reload timer 1, 2 (External bus)
	P34 to P37	—	(External bus)
Port 4	P40, P41	TIN0, TOT0	16-bit Reload timer 0 (External bus)
	P42 to P47	SIN0, SOT0, SCK0, SIN1, SOT1, SCK1	UART0, UART1 (External bus)
Port 5	P50 to P57	—	(External bus)
Port 6	P60, P61	INT0, INT1	External interrupt
	P62 to P64	INT2 to INT4, SIN, SOT, SCK	External interrupt, Serial I/O
	P65	INT5, PWC	External interrupt, PWC
	P66, P67	INT6, INT7, SCL0, SDA0	External interrupt, I ² C 0
Port 7	P70 to P77	AN0 to AN7	8/10-bit A/D converter
Port 8	P80 to P87	AN8 to AN15	8/10-bit A/D converter
Port 9	P90 to P95	SIN2, SOT2, SCK2, SIN3, SOT3, SCK3	UART2, 3
	P96	ADTG, FRCK	8/10-bit A/D converter, Free-run timer
Port A	PA0 to PA3	IN0 to IN3	Input capture 0, 1, 2, 3
	PA4 to PA7	OUT0 to OUT3	Output compare 0, 1, 2, 3
Port B	PB0 to PB3	SCL1, SDA1, SCL2, SDA2	I ² C 1, 2
	PB4	—	—
	PB5, PB6	PPG4, PPG5	PPG timer 2

Note : These pins also serve as the analog input pins for ports 7 and 8. To use them as general-purpose ports, be sure to set the corresponding bits in the analog input enable register (ADER) to 0_b. The ADER is initialized to FF_H at a reset.

MB90330A Series

• Register list (port data register)

Register	bit	7	6	5	4	3	2	1	0	Initial Value	Access
PDR0										XXXXXXXX _B	R/W*
Address : 000000H		P07	P06	P05	P04	P03	P02	P01	P00		
PDR1										XXXXXXXX _B	R/W*
Address : 000001H		P17	P16	P15	P14	P13	P12	P11	P10		
PDR2										XXXXXXXX _B	R/W*
Address : 000002H		P27	P26	P25	P24	P23	P22	P21	P20		
PDR3										XXXXXXXX _B	R/W*
Address : 000003H		P37	P36	P35	P34	P33	P32	P31	P30		
PDR4										XXXXXXXX _B	R/W*
Address : 000004H		P47	P46	P45	P44	P43	P42	P41	P40		
PDR5										XXXXXXXX _B	R/W*
Address : 000005H		P57	P56	P55	P54	P53	P52	P51	P50		
PDR6										XXXXXXXX _B	R/W*
Address : 000006H		P67	P66	P65	P64	P63	P62	P61	P60		
PDR7										XXXXXXXX _B	R/W*
Address : 000007H		P77	P76	P75	P74	P73	P72	P71	P70		
PDR8										XXXXXXXX _B	R/W*
Address : 000008H		P87	P86	P85	P84	P83	P82	P81	P80		
PDR9										-XXXXXXXX _B	R/W*
Address : 000009H		—	P96	P95	P94	P93	P92	P91	P90		
PDRA										XXXXXXXX _B	R/W*
Address : 00000AH		PA7	PA6	PA5	PA4	PA3	PA2	PA1	PA0		
PDRB										-XXXXXXXX _B	R/W*
Address : 00000CH		—	PB6	PB5	PB4	PB3	PB2	PB1	PB0		

* : R/W access to I/O ports is a bit different in behavior from R/W access to memory as follows :

- Input mode

Read : The level at the relevant pin is read.

Write : Data is written to the output latch.

- Output mode

Read : The data register latch value is read.

Write : Data is output to the relevant pin.

MB90330A Series

• Register list (port direction register)

DDR0	bit	7	6	5	4	3	2	1	0	Initial Value	Access
Address : 000010 _H		D07	D06	D05	D04	D03	D02	D01	D00	00000000 _B	R/W
DDR1	bit	15	14	13	12	11	10	9	8		
Address : 000011 _H		D17	D16	D15	D14	D13	D12	D11	D10	00000000 _B	R/W
DDR2	bit	7	6	5	4	3	2	1	0		
Address : 000012 _H		D27	D26	D25	D24	D23	D22	D21	D20	00000000 _B	R/W
DDR3	bit	15	14	13	12	11	10	9	8		
Address : 000013 _H		D37	D36	D35	D34	D33	D32	D31	D30	00000000 _B	R/W
DDR4	bit	7	6	5	4	3	2	1	0		
Address : 000014 _H		D47	D46	D45	D44	D43	D42	D41	D40	00000000 _B	R/W
DDR5	bit	15	14	13	12	11	10	9	8		
Address : 000015 _H		D57	D56	D55	D54	D53	D52	D51	D50	00000000 _B	R/W
DDR6	bit	7	6	5	4	3	2	1	0		
Address : 000016 _H		D67	D66	D65	D64	D63	D62	D61	D60	00000000 _B	R/W
DDR7	bit	15	14	13	12	11	10	9	8		
Address : 000017 _H		D77	D76	D75	D74	D73	D72	D71	D70	00000000 _B	R/W
DDR8	bit	7	6	5	4	3	2	1	0		
Address : 000018 _H		D87	D86	D85	D84	D83	D82	D81	D80	00000000 _B	R/W
DDR9	bit	15	14	13	12	11	10	9	8		
Address : 000019 _H		—	D96	D95	D94	D93	D92	D91	D90	-00000000 _B	R/W
DDRA	bit	7	6	5	4	3	2	1	0		
Address : 00001A _H		DA7	DA6	DA5	DA4	DA3	DA2	DA1	DA0	00000000 _B	R/W
DDRB	bit	15	14	13	12	11	10	9	8		
Address : 00000D _H		—	DB6	DB5	DB4	DB3	DB2	DB1	DB0	-00000000 _B	R/W

- When each pin is serving as a port, the corresponding pin is controlled as follows :

0 : Input mode

1 : Output mode

This bit becomes 0 after a reset.

Note : If these registers are accessed by a read modify write instruction (such as a bit set instruction) , the bits manipulated by the instruction are set to prescribed values but those other bits in output registers which have been set for input are rewritten to current input values of the pins. When switching a pin from input port to output port, therefore, write a desired value in the PDR first, then set the DDR to switch the pin for output.

MB90330A Series

- Register list (Analog input enable register)

ADER0	bit	7	6	5	4	3	2	1	0	Initial Value	Access
Address : 00001E _H		ADE7	ADE6	ADE5	ADE4	ADE3	ADE2	ADE1	ADE0	11111111 _B	R/W
ADER1	bit	15	14	13	12	11	10	9	8	Initial Value	Access
Address : 00001F _H		ADE15	ADE14	ADE13	ADE12	ADE11	ADE10	ADE9	ADE8	11111111 _B	R/W

This register controls the port 7, 8 pins as follows.

0 : Port input/output mode.

1 : Analog input mode.

This bit becomes 1 after a reset.

- Register list (Port pull-up resistance register)

RDR0	bit	7	6	5	4	3	2	1	0	Initial Value	Access
Address : 00001C _H		RD07	RD06	RD05	RD04	RD03	RD02	RD01	RD00	00000000 _B	R/W
RDR1	bit	15	14	13	12	11	10	9	8	Initial Value	Access
Address : 00001D _H		RD17	RD16	RD15	RD14	RD13	RD12	RD11	RD10	00000000 _B	R/W

Controls the pull-up resistor in input mode.

0 : Without pull-up resistor in input mode.

1 : With pull-up resistor in input mode.

Meaningless in output mode. (Without pull-up resistor)/The input/output mode is decided by the setting of the port direction register (DDR).

Without pull-up resistor is used in stop mode (SPL = 1). (High-Z) This function is disabled when the external bus is used. Do not attempt to write to this register.

- Register list (Output pin register)

ODR4	bit	7	6	5	4	3	2	1	0	Initial Value	Access
Address : 00001B _H		OD47	OD46	OD45	OD44	OD43	OD42	OD41	OD40	00000000 _B	R/W

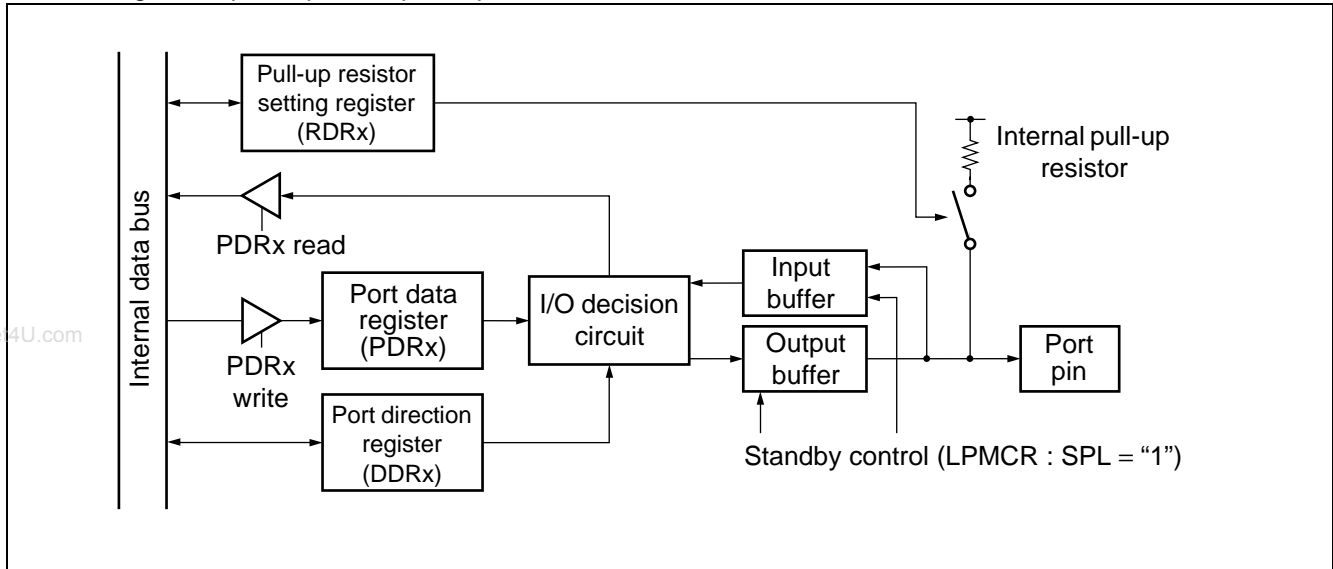
Controls open-drain in output mode.

0 : Serves as a standard output port in output mode.

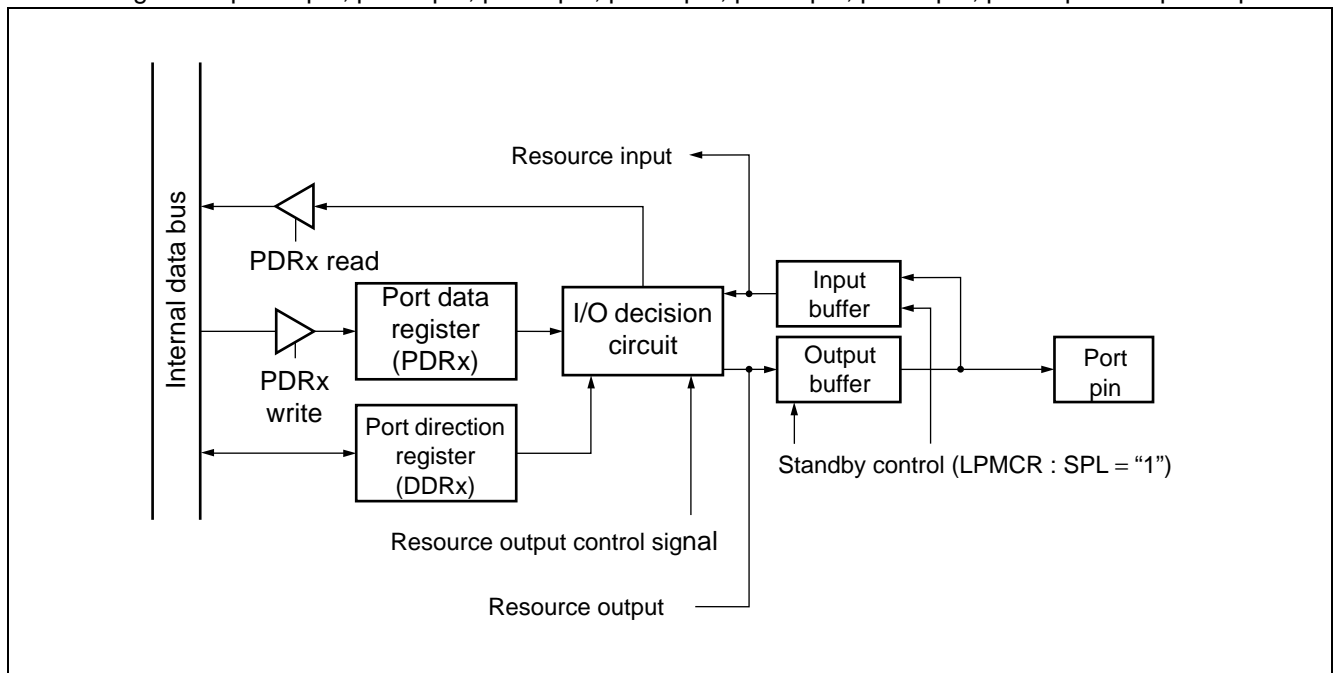
1 : Serves as an open-drain output port in output mode.

Meaningless in input mode (output High-Z)./The input/output mode is decided by the setting of the port direction register (DDR). This function is disabled when the external bus is used. Do not attempt to write to this register.

- Block diagram of port 0 pin and port 1 pin

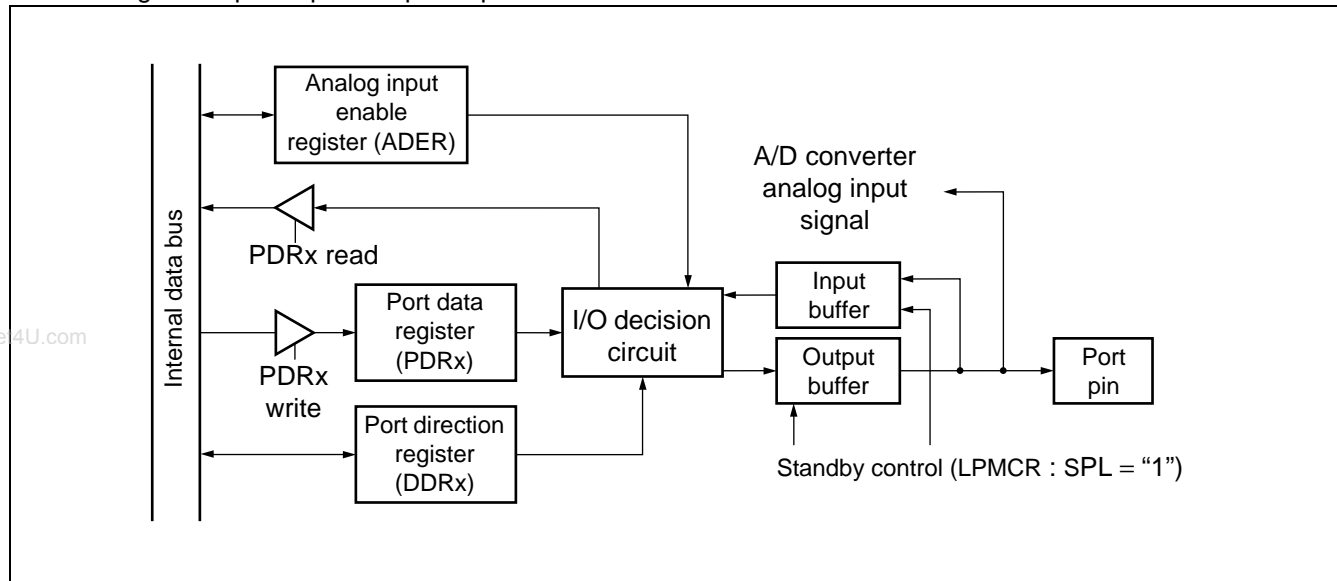


- Block diagram of port 2 pin, port 3 pin, port 4 pin, port 5 pin, port 6 pin, port 9 pin, port A pin and port B pin



MB90330A Series

- Block diagram of port 7 pin and port 8 pin



- Notes :
- When using as an input port, set "0" in the corresponding bit of the port-7 and port-8 direction register (DDR7 and DDR8) and "0" in the related bit of the analog input enable register (ADER).
 - When using as an analog input pin, set "0" in the corresponding bit of the port-7 and port-8 direction register (DDR7 and DDR8) and "1" in the related bit of the analog input enable register (ADER).

2. Time-base timer

The time-base timer is an 18-bit free-run counter (time-base timer counter) that counts in synchronization with the main clock (2 cycles of the oscillation clock HCLK). Four different time intervals can be selected, for each of which an interrupt request can be generated. Operating clock signals are supplied to peripheral resources such as the oscillation stabilization wait timer and watchdog timer.

- Interval time of time-base timer

Internal count clock cycle	Interval time
2/HCLK (0.33 μs)	2 ¹² /HCLK (Approx. 0.68 ms)
	2 ¹⁴ /HCLK (Approx. 2.7 ms)
	2 ¹⁶ /HCLK (Approx. 10.9 ms)
	2 ¹⁹ /HCLK (Approx. 87.4 ms)

Notes :

- HCLK : Oscillation clock frequency
- The parenthesized values assume an oscillator clock frequency of 6 MHz.

- Clock cycles supplied from time-base timer

Where to supply clock	Clock cycle
Main clock oscillation stabilization wait	2 ¹³ /HCLK (Approx. 1.36 ms)
	2 ¹⁵ /HCLK (Approx. 5.46 ms)
	2 ¹⁷ /HCLK (Approx. 21.84 ms)
Watch dog timer	2 ¹² /HCLK (Approx. 0.68 ms)
	2 ¹⁴ /HCLK (Approx. 2.7 ms)
	2 ¹⁶ /HCLK (Approx. 10.9 ms)
	2 ¹⁹ /HCLK (Approx. 87.4 ms)

Notes :

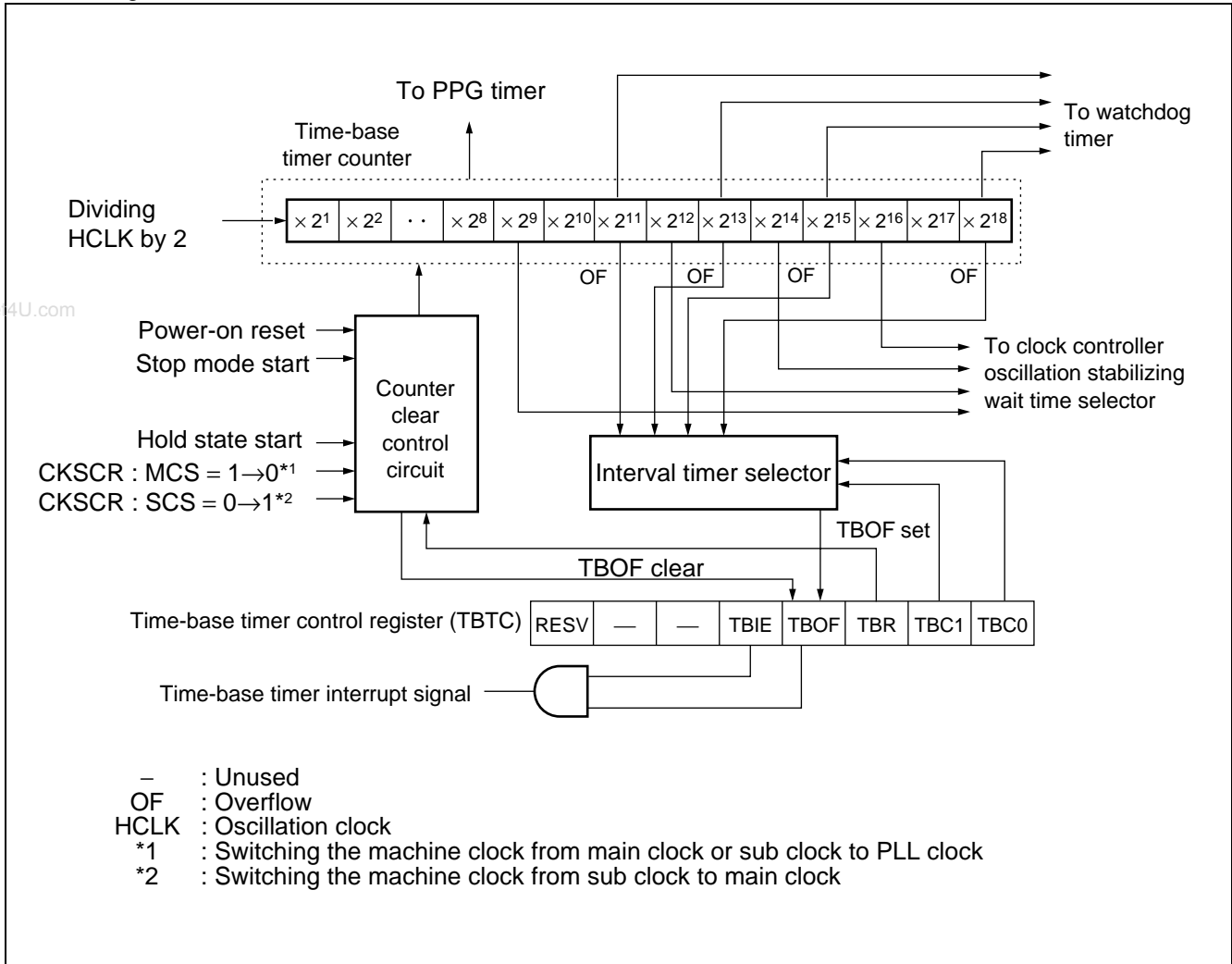
- HCLK : Oscillation clock frequency
- The parenthesized values assume an oscillator clock frequency of 6 MHz.

- Register list

Time-base timer control register (TBTC)									Initial Value 1 - - 00100 _B
Address : 0000A9 _H	bit 15	14	13	12	11	10	9	8	
	RESV	—	—	TBIE	TBOF	TBR	TBC1	TBC0	
	(R/W)	(—)	(—)	(R/W)	(R/W)	(W)	(R/W)	(R/W)	

MB90330A Series

• Block Diagram



Actual interrupt request number of time-base timer is as follows :
 Interrupt request number : #40 (28H)

3. Watchdog timer

The watchdog timer is timer counter provided for measure of program runaway. It is a 2-bit counter operating with an output of the timebase timer or watch timer as the count clock and resets the CPU when the counter is not cleared for a preset period of time after start.

- Interval time of watchdog timer

HCLK : Oscillation clock(6 MHz) SCLK : Sub clock(8 kHz)		
Min	Max	Clock cycle
Approx. 2.39 ms	Approx. 3.07 ms	$(2^{14} \pm 2^{11}) / \text{HCLK}$
Approx. 9.56 ms	Approx. 12.29 ms	$(2^{16} \pm 2^{13}) / \text{HCLK}$
Approx. 38.23 ms	Approx. 49.15 ms	$(2^{18} \pm 2^{15}) / \text{HCLK}$
Approx. 305.83 ms	Approx. 393.22 ms	$(2^{21} \pm 2^{18}) / \text{HCLK}$
Approx. 0.448 s	Approx. 0.576 s	$(2^{12} \pm 2^9) / \text{SCLK}$
Approx. 3.584 s	Approx. 4.608 s	$(2^{15} \pm 2^{12}) / \text{SCLK}$
Approx. 7.168 s	Approx. 9.216 s	$(2^{16} \pm 2^{13}) / \text{SCLK}$
Approx. 14.336 s	Approx. 18.432 s	$(2^{17} \pm 2^{14}) / \text{SCLK}$

- Notes :
- The maximum and minimum time intervals for the watchdog timer depend on the counter clear timing.
 - The watchdog timer contains a 2-bit counter that counts the carry-up signal from the time-base timer or watch timer.
 - Interval time of watchdog timer is longer than the set time during the following conditions.
 - When clearing the timebase timer during operation on oscillation (HCLK)
 - When clearing the watch timer during operation on sub clock (SCLK)

- Events that stop the watchdog timer

- Stop due to a power-on reset
- Watchdog reset

- Clear factor of watchdog timer

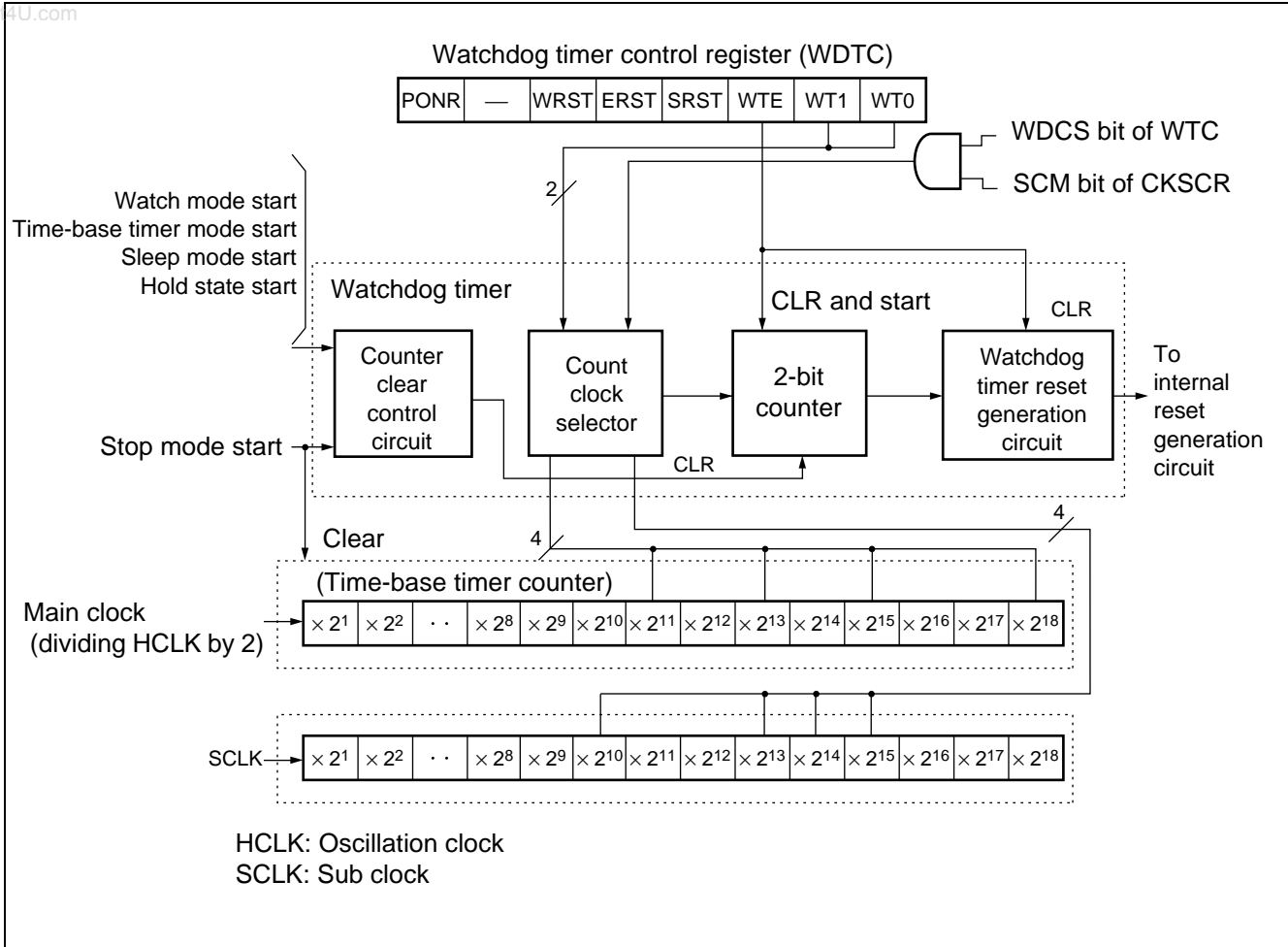
- External reset input by $\overline{\text{RST}}$ pin
- Writing "0" to the software reset bit
- Writing "0" to the watchdog timer control bit (second and subsequent times)
- Transition to sleep mode (clearing the watchdog timer to suspend counting)
- Transition to time-base timer mode (clearing the watchdog timer to suspend counting)
- Transition to stop mode (clearing the watchdog timer to suspend counting)

MB90330A Series

• Register list

Watchdog timer control register (WDTC)								Initial Value X-XXX111 _B	
bit									
Address : 0000A8 _H	7	6	5	4	3	2	1	0	
	PONR	—	WRST	ERST	SRST	WTE	WT1	WT0	
	(R)	(—)	(R)	(R)	(R)	(W)	(W)	(W)	

• Block Diagram



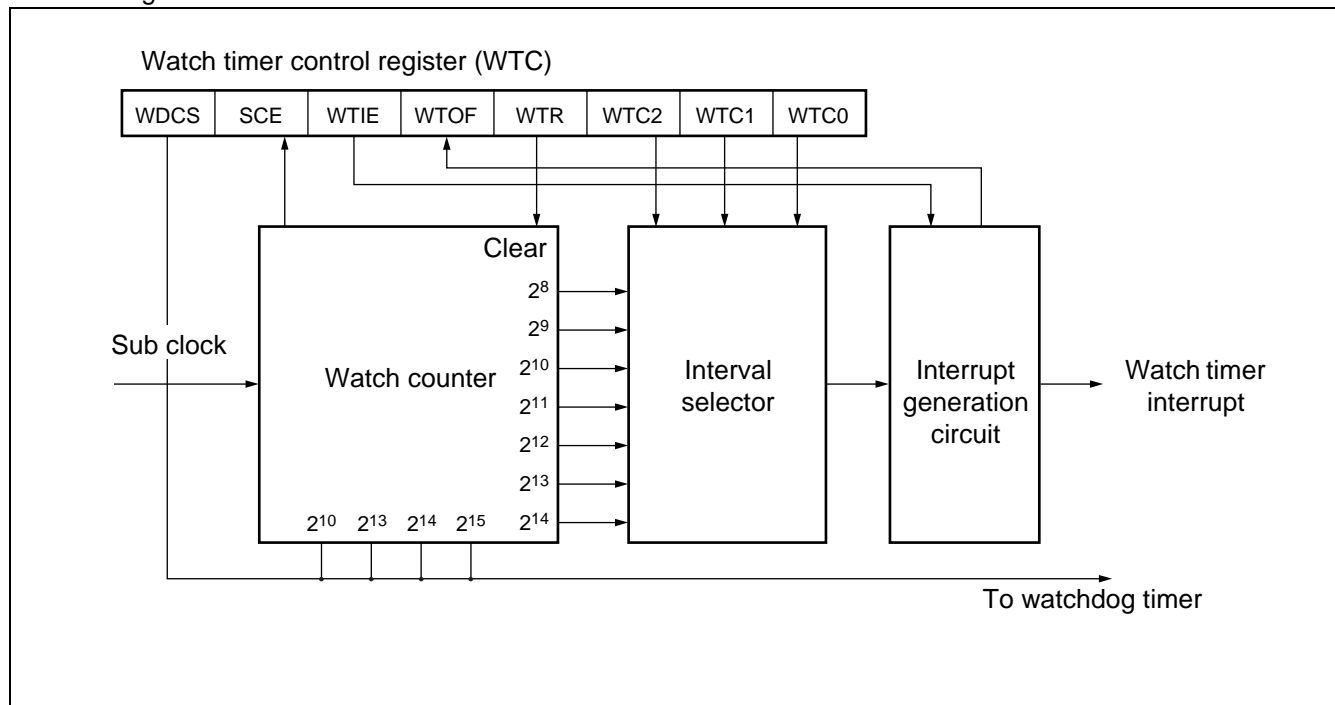
4. Watch timer

The watch timer is a 15-bit timer using the sub clock. It can generate interval interrupts. It can also be used as a clock source for the watchdog timer.

• Register list

Watch timer control register (WTC)								Initial Value	
bit								10001000 _B	
Address : 0000AA _H	7	6	5	4	3	2	1	0	
	WDCS	SCE	WTIE	WTOF	WTR	WTC2	WTC1	WTC0	
	(R/W)	(R)	(R/W)	(R/W)	(R/W)	(R/W)	(R/W)	(R/W)	

• Block Diagram



MB90330A Series

5. 16-bit reload timer

The 16-bit reload timer has the internal clock mode to decrement in synchronization with 3 different internal clocks and the event count mode to decrement upon detection of an arbitrary edge of the pulse input to the external pin. Either can be selected. This timer defines when the count value changes from 0000H to FFFFH as an underflow. The timer therefore causes an underflow when the count reaches [reload register setting + 1]. Either mode can be selected for the count operation from the reload mode which repeats the count by reloading the count setting value at the underflow occurrence or the one-shot mode which stops the count at the underflow occurrence. The interrupt can be generated at the counter underflow occurrence so as to correspond to the DTC.

• Register list

• TMCSR (Timer control status register 0 to 2)

Timer control status register (upper) (TMCSR0 to TMCSR2)

bit	15	14	13	12	11	10	9	8	Initial Value
Address : 000063H	—	—	—	—	CSL1	CSL0	MOD2	MOD1	XXXX0000 _B
000067H	(—)	(—)	(—)	(—)	(R/W)	(R/W)	(R/W)	(R/W)	
00006BH	(—)	(—)	(—)	(—)	(R/W)	(R/W)	(R/W)	(R/W)	

Timer control status register (lower) (TMCSR0 to TMCSR2)

bit	7	6	5	4	3	2	1	0	Initial Value
Address : 000062H	MOD0	OUTE	OUTL	RELD	INTE	UF	CNTE	TRG	00000000 _B
000066H	(R/W)	(R/W)	(R/W)	(R/W)	(R/W)	(R/W)	(R/W)	(R/W)	
00006AH	(R/W)	(R/W)	(R/W)	(R/W)	(R/W)	(R/W)	(R/W)	(R/W)	

• 16-bit timer register/16-bit reload register

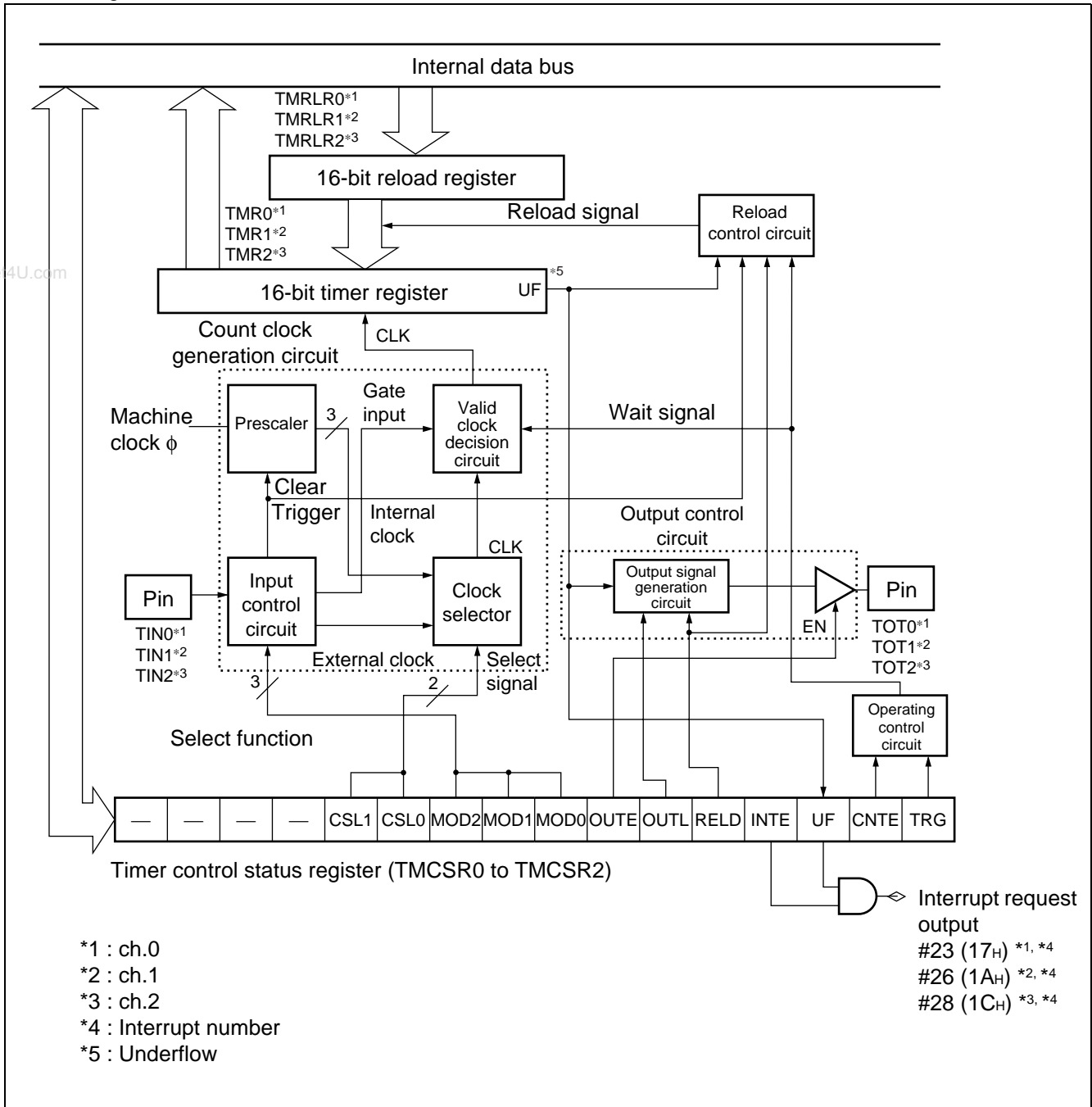
TMR0 to TMR2/TMRLR0 to TMRLR2 (upper)

bit	15	14	13	12	11	10	9	8	Initial Value
Address : 000065H	D15	D14	D13	D12	D11	D10	D09	D08	XXXXXXXX _B
000069H	(R/W)	(R/W)	(R/W)	(R/W)	(R/W)	(R/W)	(R/W)	(R/W)	
00006DH	(R/W)	(R/W)	(R/W)	(R/W)	(R/W)	(R/W)	(R/W)	(R/W)	

TMR0 to TMR2/TMRLR0 to TMRLR2 (lower)

bit	7	6	5	4	3	2	1	0	Initial Value
Address : 000064H	D07	D06	D05	D04	D03	D02	D01	D00	XXXXXXXX _B
000068H	(R/W)	(R/W)	(R/W)	(R/W)	(R/W)	(R/W)	(R/W)	(R/W)	
00006CH	(R/W)	(R/W)	(R/W)	(R/W)	(R/W)	(R/W)	(R/W)	(R/W)	

• Block diagram



MB90330A Series

6. Multi function timer

The multi-function timer enables the following based on the 16-bit free-run timer.

- Output of independent waveform
- Measurement of input pulse width
- Measurement of external clock cycle

- Configuration of a multi-functional timer

16-bit free-run timer	16-bit Output Compare	16-bit Input Capture	8/16-bit PPG timer	16-bit PWC timer
1 channel	4 channels	4 channels	8-bit × 6 channels (16-bit × 3 channels)	1 channel

- 16-bit free-run timer : 1 channel

The 16-bit free-run timer consists of a 16-bit up counter (timer data register (TCDT)), compare clear register (CPCLR), timer control status register (TCCS), and prescaler.

The counter output value of the 16-bit free-run timer is used as the base timer for the output compare and input capture units.

- The count clock can be set, selected from among the following eight types.
1/φ, 2/φ, 4/φ, 8/φ, 16/φ, 32/φ, 64/φ, 128/φ
φ : Machine clock frequency
- During the following conditions, the interrupt should be output.
 - The counter value of 16-bit free run timer will be overflowed.
 - The counter value of 16-bit free run timer will be cleared after the counter value of 16-bit free run timer = the compare clear register value (CPCLR) (TCCS : ICRE = "1", MODE = "1")
- The counter value of 16-bit free run timer should be cleared to "0000H" during the following conditions.
 - Reset
 - When setting the clear bit (SCLR) of timer control status register (TCCS) to "1"
 - When the counter value of the 16-bit free run timer = the compare clear register value (CPCLR) (TCCS : MODE = "1")
 - When setting "0000H" to the timer data register (TCDT)

- Output compare : 4 channels

The output compare unit consists of compare registers (OCCP0 to OCCP3), compare control registers (OCS0 to OCS3), and a compare output latch.

The output compare unit can invert the output level and output an interrupt when a compare register (OCCP0 to OCCP3) value matches the counter value of the 16-bit free-run timer.

- Output compare registers can operate as 4 independent channels. The output compare registers (OCCP0 to OCCP3) of each channel have interrupt request flags of their respective output pins.
- Pin output can be inverted by using 2 channels of output compare registers (OCCP0 to OCCP3).
- If the counter value of 16-bit free run timer = the output compare register (OCCP0 to OCCP3) (OCS0, OCS2 : ICP0 = "1", ICP1 = "1"), the interrupt request should be generated. (OCS0, OCS2 : ICE0 = "1", ICE1 = "1")
- The initial value for pin output of each channel can be set.

- Input capture : 4 channels

The input capture unit consists of the input capture data registers (IPCP0 to IPCP3) corresponding to external input pins (IN0 to IN3) and input capture control registers (ICS01, ICS23).

The input capture unit can capture the counter value of the 16-bit free-run timer into the input capture data register (IPCP0 to IPCP3) to generated an interrupt request upon detection of the effective edge of the signal input through the external input.

MB90330A Series

- The input capture unit in each channel can operate independently.
- The effective edge of the external signal can be selected (rising edge, falling edge, both edges).
- An interrupt request can be generated upon detection of the selected effective edge of the external signal. (ICS01, ICS2 : ICE0 = "1", ICE1 = "1", ICE2 = "1", ICE3 = "1").

• Register list (16-bit free-run timer)

Compare clear register (CPCLR)

bit	15	14	13	12	11	10	9	8	Initial Value
Address : 00008B _H	CL15	CL14	CL13	CL12	CL11	CL10	CL09	CL08	XXXXXXXX _B
	(R/W)	(R/W)	(R/W)	(R/W)	(R/W)	(R/W)	(R/W)	(R/W)	

bit	7	6	5	4	3	2	1	0	Initial Value
Address : 00008A _H	CL07	CL06	CL05	CL04	CL03	CL02	CL01	CL00	XXXXXXXX _B
	(R/W)	(R/W)	(R/W)	(R/W)	(R/W)	(R/W)	(R/W)	(R/W)	

Timer data register (TCDT)

bit	15	14	13	12	11	10	9	8	Initial Value
Address : 000087 _H	T15	T14	T13	T12	T11	T10	T09	T08	0000000 _B
	(R/W)	(R/W)	(R/W)	(R/W)	(R/W)	(R/W)	(R/W)	(R/W)	

bit	7	6	5	4	3	2	1	0	Initial Value
Address : 000086 _H	T07	T06	T05	T04	T03	T02	T01	T00	0000000 _B
	(R/W)	(R/W)	(R/W)	(R/W)	(R/W)	(R/W)	(R/W)	(R/W)	

Timer control/status register (TCCS)

bit	15	14	13	12	11	10	9	8	Initial Value
Address : 000089 _H	ECKE	—	—	MSI2	MSI1	MSI0	ICLR	ICRE	0--0000 _B
	(R/W)	(R/W)	(R/W)	(R/W)	(R/W)	(R/W)	(R/W)	(R/W)	

bit	7	6	5	4	3	2	1	0	Initial Value
Address : 000088 _H	IVF	IVFE	STOP	MODE	SCLR	CLK2	CLK1	CLK0	0000000 _B
	(R/W)	(R/W)	(R/W)	(R/W)	(R/W)	(R/W)	(R/W)	(R/W)	

MB90330A Series

• Register list (output compare)

Compare register (OCCP0 to OCCP3)

bit	15	14	13	12	11	10	9	8	Initial Value
Address : 007919 _H	C15	C14	C13	C12	C11	C10	C09	C08	XXXXXXXX _B
00791B _H									
00791D _H	(R/W)	(R/W)	(R/W)	(R/W)	(R/W)	(R/W)	(R/W)	(R/W)	
00791F _H									

bit	7	6	5	4	3	2	1	0	Initial Value
Address : 007918 _H	C07	C06	C05	C04	C03	C02	C01	C00	XXXXXXXX _B
00791A _H									
00791C _H	(R/W)	(R/W)	(R/W)	(R/W)	(R/W)	(R/W)	(R/W)	(R/W)	
00791E _H									

Control register (OCS1/OCS3)

bit	15	14	13	12	11	10	9	8	Initial Value
Address : 000055 _H	—	—	—	CMOD	OTE1	OTE0	OTD1	OTD0	---0000 _B
000057 _H	(—)	(—)	(—)	(R/W)	(R/W)	(R/W)	(R/W)	(R/W)	

Control register (OCS0/OCS2)

bit	7	6	5	4	3	2	1	0	Initial Value
Address : 000054 _H	ICP1	ICP0	ICE1	ICE0	—	—	CST1	CST0	0000--00 _B
000056 _H	(R/W)	(R/W)	(R/W)	(R/W)	(—)	(—)	(R/W)	(R/W)	

• Register list (input capture)

Input capture data register (IPCP0 to IPCP3)

Address	bit 15	14	13	12	11	10	9	8	Initial Value
007911H	CP15	CP14	CP13	CP12	CP11	CP10	CP09	CP08	XXXXXXXX _B
007913H	(R)	(R)	(R)	(R)	(R)	(R)	(R)	(R)	
007915H	(R)	(R)	(R)	(R)	(R)	(R)	(R)	(R)	
007917H	(R)	(R)	(R)	(R)	(R)	(R)	(R)	(R)	

Address	bit 7	6	5	4	3	2	1	0	Initial Value
007910H	CP07	CP06	CP05	CP04	CP03	CP02	CP01	CP00	XXXXXXXX _B
007912H	(R)	(R)	(R)	(R)	(R)	(R)	(R)	(R)	
007914H	(R)	(R)	(R)	(R)	(R)	(R)	(R)	(R)	
007916H	(R)	(R)	(R)	(R)	(R)	(R)	(R)	(R)	

Input capture control status register (ICS23)

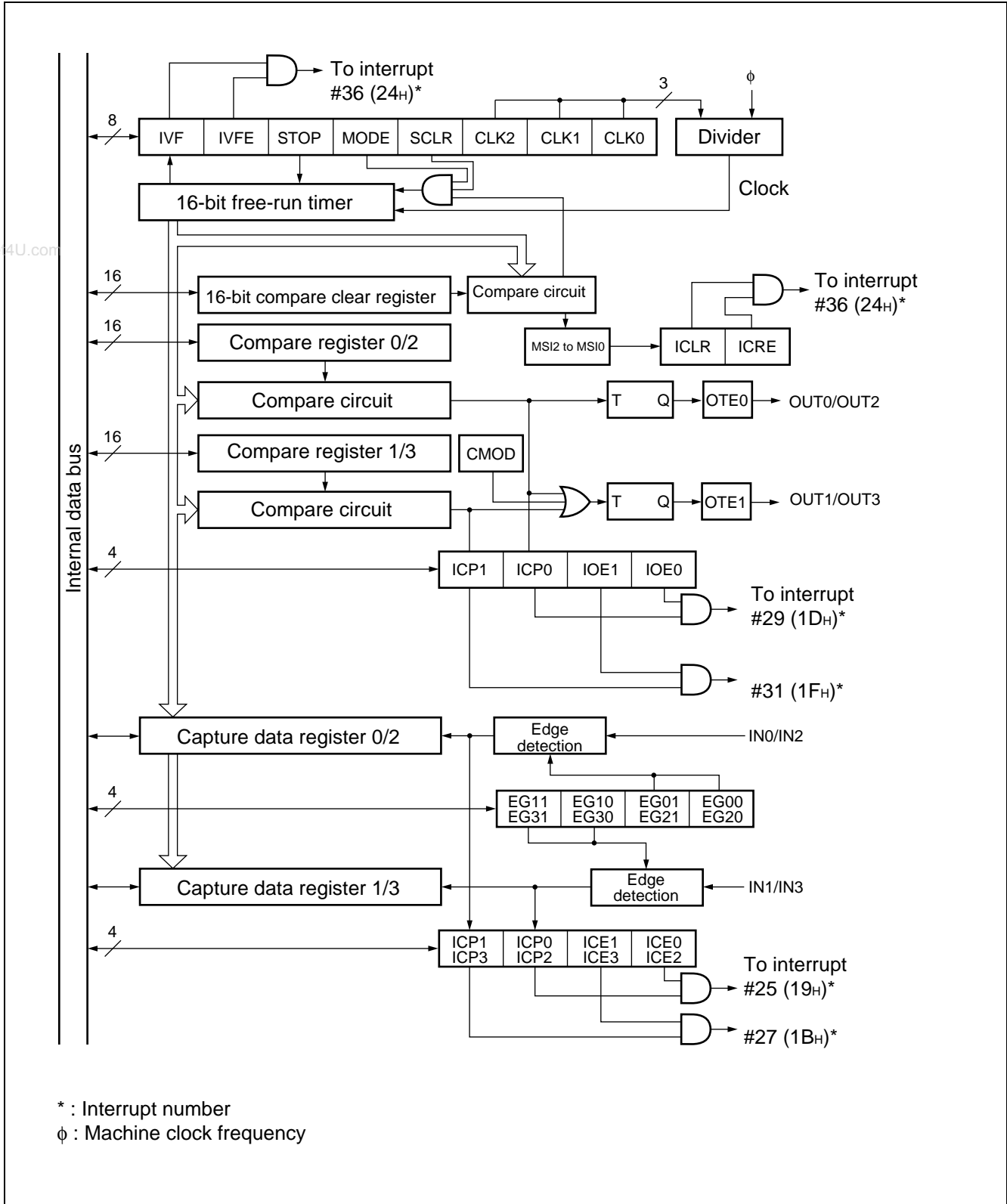
Address	bit 15	14	13	12	11	10	9	8	Initial Value
000053H	ICP3	ICP2	ICE3	ICE2	EG31	EG30	EG21	EG20	0000000 _B
	(R/W)	(R/W)	(R/W)	(R/W)	(R/W)	(R/W)	(R/W)	(R/W)	

Input capture control status register (ICS01)

Address	bit 7	6	5	4	3	2	1	0	Initial Value
000052H	ICP1	ICP0	ICE1	ICE0	EG11	EG10	EG01	EG00	0000000 _B
	(R/W)	(R/W)	(R/W)	(R/W)	(R/W)	(R/W)	(R/W)	(R/W)	

MB90330A Series

- Block diagram of the 16-bit free-run timer, input capture units, and output compare units



- 8/16-bit PPG timer (8-bit : 6 channels, 16-bit : 3 channels)

8/16-bit PPG timer consists of an 8-bit down counter (PCNT), PPG operation mode control register (PPGC0 to PPGC5), PPG output control register (PPG01, PPG23, PPG45) and PPG reload register (PRL0 to PRL5, PRLH0 to PRLH5).

When used as an 8-/16-bit reload timer, the PPG timer serves as an event timer. It can also output pulses of an arbitrary duty ratio at an arbitrary frequency.

- 8-bit PPG mode

Each channel operates as an independent 8-bit PPG.

- 8-bit prescaler + 8-bit PPG mode

Operates as an arbitrary-cycle 8-bit PPG with PPG0 (PPG2, PPG4) operating as an 8-bit prescaler and PPG1 (PPG3, PPG5) counted by the borrow output of PPG0 (PPG2, PPG4).

- 16-bit PPG mode

Operates as a 16-bit PPG with PPG0 (PPG2, PPG4) and PPG1 (PPG3, PPG5) connected.

- PPG operation

The PPG timer outputs pulses of an arbitrary duty ratio (the ratio between the High and Low level periods of pulse waveform) at an arbitrary frequency. This can also be used as a D/A converter by an external circuit.

MB90330A Series

• Register list

PPG operation mode control register (PPGC1/PPGC3/PPGC5)

Address	bit 15	bit 14	bit 13	bit 12	bit 11	bit 10	bit 9	bit 8	Initial Value
000047H	PEN1	—	PE10	PIE1	PUF1	MD1	MD0	Reserved	0X000001B
000049H									
00004BH	(R/W)	(—)	(R/W)	(R/W)	(R/W)	(R/W)	(R/W)	(R/W)	

(PPGC0/PPGC2/PPGC4)

Address	bit 7	bit 6	bit 5	bit 4	bit 3	bit 2	bit 1	bit 0	Initial Value
000046H	PEN0	—	PE00	PIE0	PUF0	—	—	Reserved	0X0000XX1B
000048H									
00004AH	(R/W)	(—)	(R/W)	(R/W)	(R/W)	(—)	(—)	(R/W)	

PPG output control register (PPG01/PPG23/PPG45)

Address	bit 7	bit 6	bit 5	bit 4	bit 3	bit 2	bit 1	bit 0	Initial Value
00004CH	PCS2	PCS1	PCS0	PCM2	PCM1	PCM0	Reserved	Reserved	000000XXB
00004EH									
000050H	(R/W)	(R/W)	(R/W)	(R/W)	(R/W)	(R/W)	(R/W)	(R/W)	

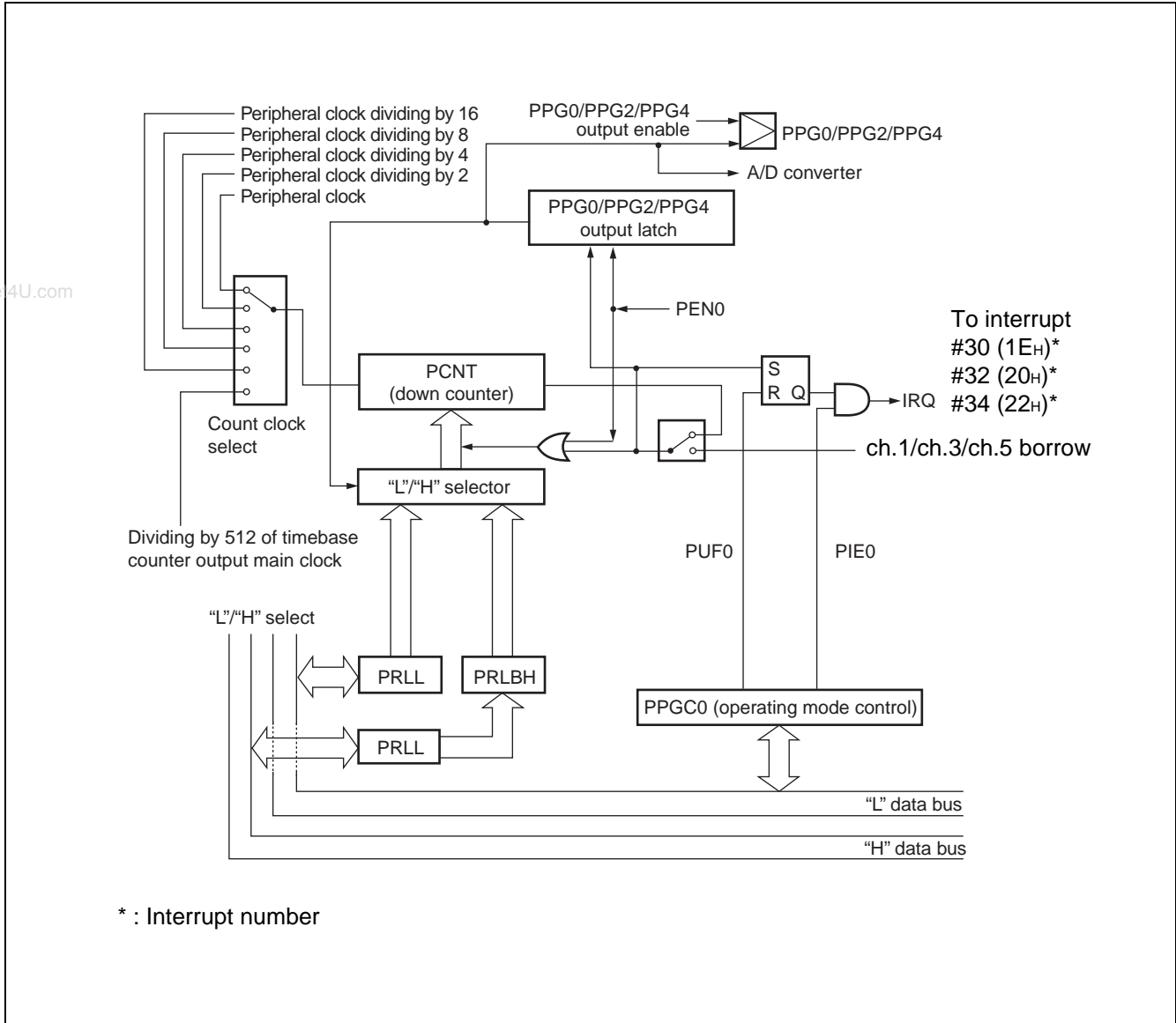
PPG reload register (PRLH0 to PRLH5)

Address	bit 15	bit 14	bit 13	bit 12	bit 11	bit 10	bit 9	bit 8	Initial Value
007901H	D15	D14	D13	D12	D11	D10	D09	D08	XXXXXXXXXB
007903H									
007905H	(R/W)	(R/W)	(R/W)	(R/W)	(R/W)	(R/W)	(R/W)	(R/W)	
007907H									
007909H									
00790BH									

(PRL0 to PRL5)

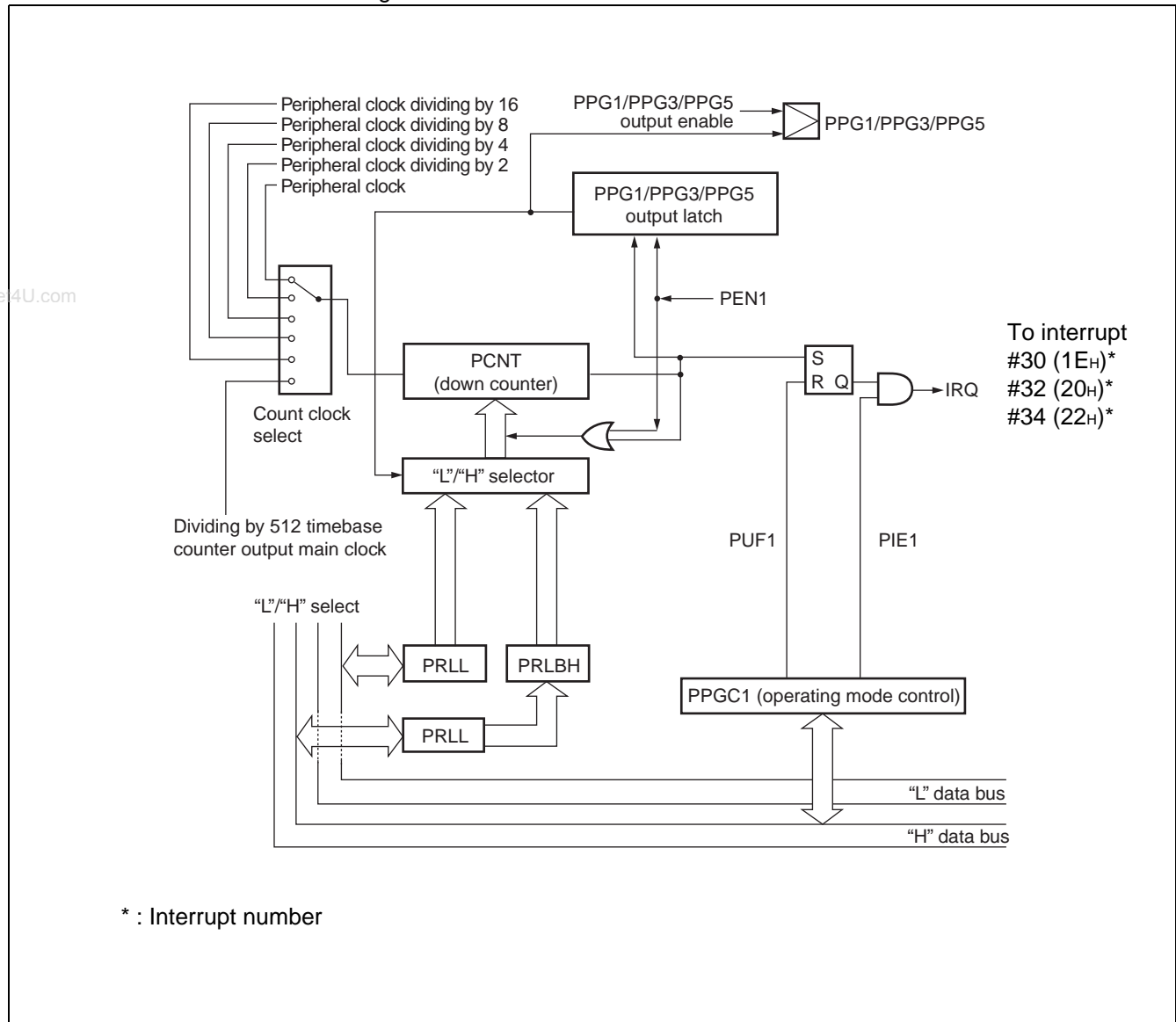
Address	bit 7	bit 6	bit 5	bit 4	bit 3	bit 2	bit 1	bit 0	Initial Value
007900H	D07	D06	D05	D04	D03	D02	D01	D00	XXXXXXXXXB
007902H									
007904H	(R/W)	(R/W)	(R/W)	(R/W)	(R/W)	(R/W)	(R/W)	(R/W)	
007906H									
007908H									
00790AH									

• 8/16-bit PPG ch.0/ch.2/ch.4 block diagram



MB90330A Series

• 8-bit PPG ch.1/ch.3/ch.5 block diagram



MB90330A Series

- PWC timer

The PWC timer is a 16-bit multi-function up-count timer capable of measuring the input signal pulse width.

- Register list

PWC control status register (PWCSR)

		bit									
		15	14	13	12	11	10	9	8		
Address : 00005D _H		STRT	STOP	EDIR	EDIE	OVIR	OVIE	ERR	Reserved	Initial Value	
		(R/W)	(R/W)	(R)	(R/W)	(R/W)	(R/W)	(R)	(R/W)	0000000X _B	

		bit									
		7	6	5	4	3	2	1	0		
Address : 00005C _H		CKS1	CKS0	PIS1	PIS0	S/C	MOD2	MOD1	MOD0	Initial Value	
		(R/W)	(R/W)	(R/W)	(R/W)	(R/W)	(R/W)	(R/W)	(R/W)	00000000 _B	

PWC data buffer register (PWCR)

		bit									
		15	14	13	12	11	10	9	8		
Address : 00005F _H		D15	D14	D13	D12	D11	D10	D9	D8	Initial Value	
		(R/W)	(R/W)	(R/W)	(R/W)	(R/W)	(R/W)	(R/W)	(R/W)	00000000 _B	

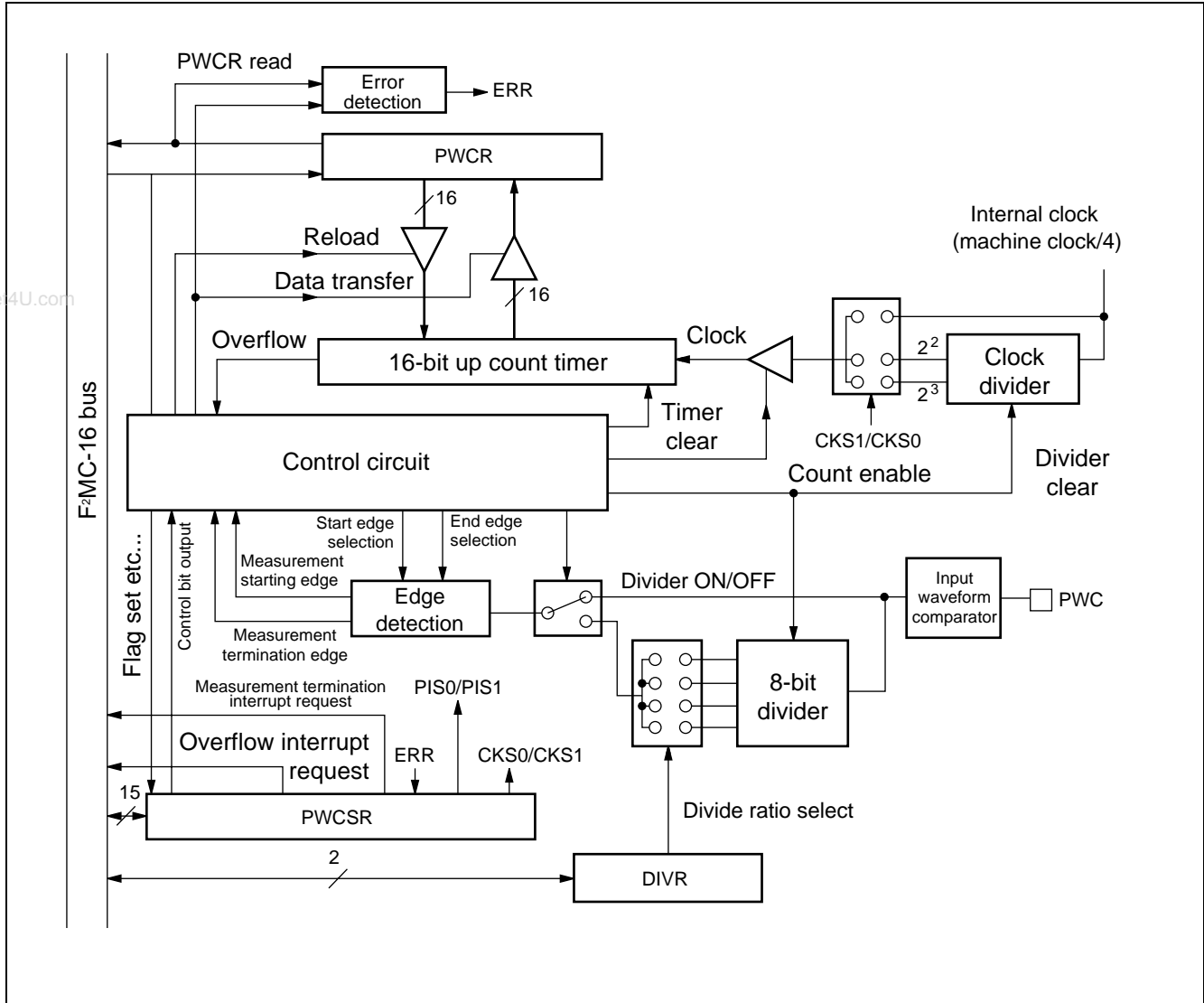
		bit									
		7	6	5	4	3	2	1	0		
Address : 00005E _H		D7	D6	D5	D4	D3	D2	D1	D0	Initial Value	
		(R/W)	(R/W)	(R/W)	(R/W)	(R/W)	(R/W)	(R/W)	(R/W)	00000000 _B	

PWC ratio of dividing frequency control register (DIVR)

		bit									
		7	6	5	4	3	2	1	0		
Address : 000060 _H		—	—	—	—	—	—	DIV1	DIV0	Initial Value	
		(—)	(—)	(—)	(—)	(—)	(—)	(R/W)	(R/W)	-----00 _B	

MB90330A Series

• Block Diagram



7. UART

UART is a general purpose serial communication interface for synchronous or asynchronous (start-stop synchronization) communications with external devices. It supports bi-directional communication (normal mode) and master/slave communication (multi-processor mode: supported on master side only). An interrupt can be generated upon completion of reception, detection of a reception error, or completion of transmission. EI²OS is supported.

• UART functions

UART, or a generic serial data communication interface that sends and receives serial data to and from other CPU and peripherals, has the functions listed in following.

	Function
Data buffer	Full-duplex double-buffered
Transmission mode	<ul style="list-style-type: none"> • Clock synchronous (without start/stop bit) • Clock asynchronous (start-stop synchronous)
Baud rate	<ul style="list-style-type: none"> • Special-purpose baud-rate generator It is optional from 8 kinds. • Baud rate by external clock (SCK0/SCK1/SCK2/SCK3 terminal input)
Data length	<ul style="list-style-type: none"> • 8-bit or 7-bit (in the asynchronous normal mode only) • 1-bit to 8-bit (synchronous mode only)
Signal system	Non Return to Zero (NRZ) system
Reception error detection	<ul style="list-style-type: none"> • Framing error • Overrun error • Parity error (Not supported in operation mode 1)
Interrupt request	<ul style="list-style-type: none"> • Receive interrupt (reception completed, reception error detected) • Transmission interrupt (transmission completed) • Both the transmission and reception support EI²OS.
Master/slave type communication function (multi processor mode)	Capable of 1 (master) to many (slaves) communication (available just as master)

Note : In clock synchronous transfer mode, the UART transfers only data with no start or stop bit added.

• UART operation modes

Operation mode		Data length		Synchronization	Stop bit length
		Without parity	With parity		
0	Normal mode	7-bit or 8-bit		Asynchronous	1-bit or 2-bit *2
1	Multi processor mode	8-bit + 1*1	—	Asynchronous	
2	Normal mode	1 to 8-bit	—	Synchronous	No

— : Setting disabled

*1 : + 1 is an address/data setting bit (A/D) which is used for communication control.

*2 : Only one bit can be detected as a stop bit at reception.

MB90330A Series

• Register list

Serial mode register (SMR0 to SMR3)

Address	bit 7	bit 6	bit 5	bit 4	bit 3	bit 2	bit 1	bit 0	Initial Value
000020H	MD1	MD0	SCKL	M2L2	M2L1	M2L0	SCKE	SOE	00100000 _B
000026H	(R/W)	(R/W)	(R/W)	(R/W)	(R/W)	(R/W)	(R/W)	(R/W)	
00002CH	(R/W)	(R/W)	(R/W)	(R/W)	(R/W)	(R/W)	(R/W)	(R/W)	
000032H	(R/W)	(R/W)	(R/W)	(R/W)	(R/W)	(R/W)	(R/W)	(R/W)	

Serial control register (SCR0 to SCR3)

Address	bit 15	bit 14	bit 13	bit 12	bit 11	bit 10	bit 9	bit 8	Initial Value
000021H	PEN	P	SBL	CL	A/D	REC	RXE	TXE	00000100 _B
000027H	(R/W)	(R/W)	(R/W)	(R/W)	(R/W)	(W)	(R/W)	(R/W)	
00002DH	(R/W)	(R/W)	(R/W)	(R/W)	(R/W)	(W)	(R/W)	(R/W)	
000033H	(R/W)	(R/W)	(R/W)	(R/W)	(R/W)	(W)	(R/W)	(R/W)	

Serial input/output data register (SIDR0 to SIDR3 / SODR0 to SODR3)

Address	bit 7	bit 6	bit 5	bit 4	bit 3	bit 2	bit 1	bit 0	Initial Value
000022H	D7	D6	D5	D4	D3	D2	D1	D0	XXXXXXXX _B
000028H	(R/W)	(R/W)	(R/W)	(R/W)	(R/W)	(R/W)	(R/W)	(R/W)	
00002EH	(R/W)	(R/W)	(R/W)	(R/W)	(R/W)	(R/W)	(R/W)	(R/W)	
000034H	(R/W)	(R/W)	(R/W)	(R/W)	(R/W)	(R/W)	(R/W)	(R/W)	

Serial status register (SSR0 to SSR3)

Address	bit 15	bit 14	bit 13	bit 12	bit 11	bit 10	bit 9	bit 8	Initial Value
000023H	PE	ORE	FRE	RDRF	TDRE	BDS	RIE	TIE	00001000 _B
000029H	(R)	(R)	(R)	(R)	(R)	(R/W)	(R/W)	(R/W)	
00002FH	(R)	(R)	(R)	(R)	(R)	(R/W)	(R/W)	(R/W)	
000035H	(R)	(R)	(R)	(R)	(R)	(R/W)	(R/W)	(R/W)	

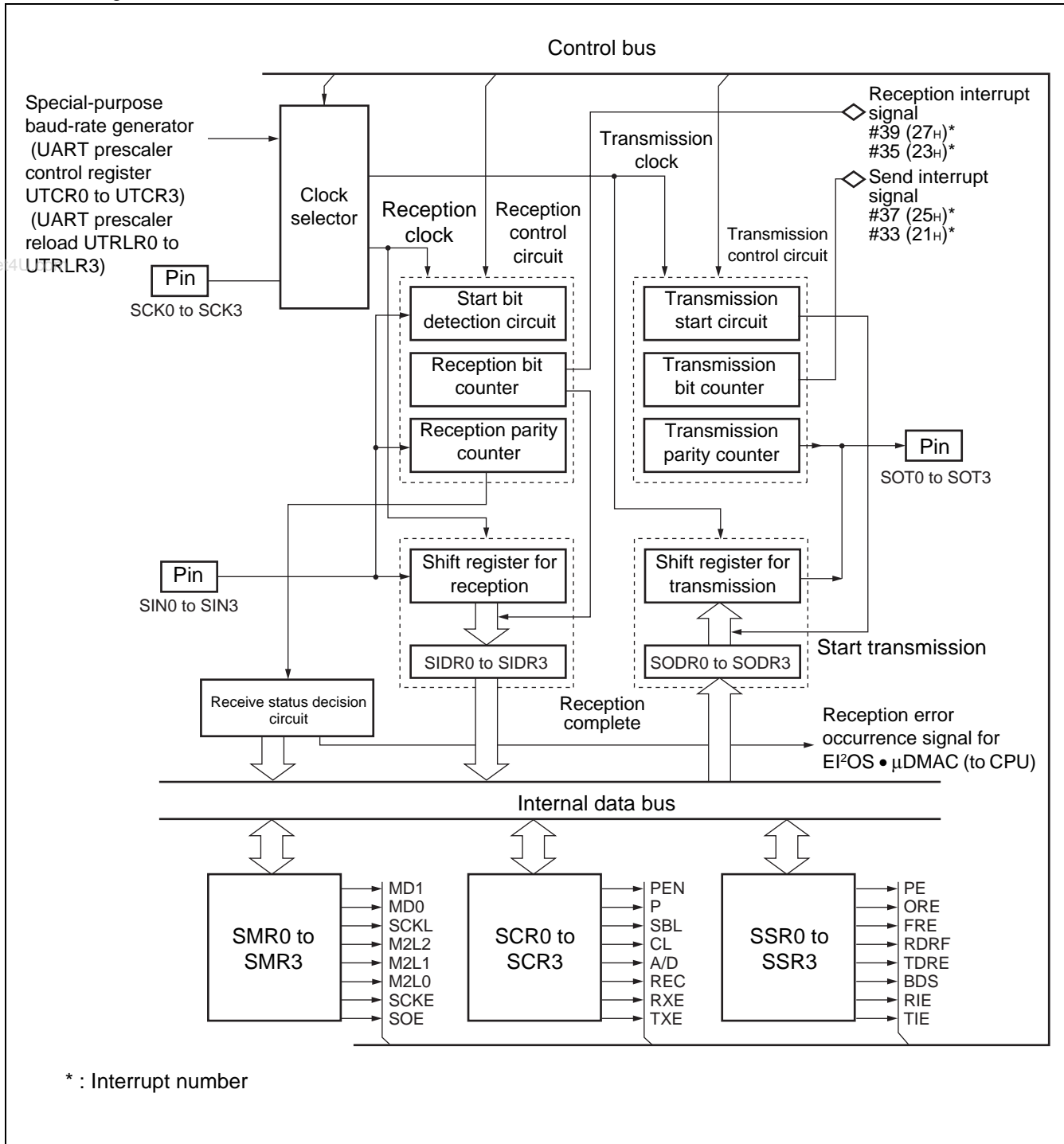
UART prescaler reload register (UTRLR0 to UTRLR3)

Address	bit 7	bit 6	bit 5	bit 4	bit 3	bit 2	bit 1	bit 0	Initial Value
000024H	D7	D6	D5	D4	D3	D2	D1	D0	00000000 _B
00002AH	(R/W)	(R/W)	(R/W)	(R/W)	(R/W)	(R/W)	(R/W)	(R/W)	
000030H	(R/W)	(R/W)	(R/W)	(R/W)	(R/W)	(R/W)	(R/W)	(R/W)	
000036H	(R/W)	(R/W)	(R/W)	(R/W)	(R/W)	(R/W)	(R/W)	(R/W)	

UART prescaler control register (UTCR0 to UTCR3)

Address	bit 15	bit 14	bit 13	bit 12	bit 11	bit 10	bit 9	bit 8	Initial Value
000025H	MD	SRST	CKS	Reserved	—	D10	D9	D8	0000-000 _B
00002BH	(R/W)	(R/W)	(R/W)	(R/W)	(—)	(R/W)	(R/W)	(R/W)	
000031H	(R/W)	(R/W)	(R/W)	(R/W)	(—)	(R/W)	(R/W)	(R/W)	
000037H	(R/W)	(R/W)	(R/W)	(R/W)	(—)	(R/W)	(R/W)	(R/W)	

• Block Diagram



MB90330A Series

8. Extended I/O serial interface

The extended I/O serial interface is a serial I/O interface in an 8-bit, single-channel, capable of clock synchronous data transfer. LSB-first or MSB-first transfer mode can be selected for data transfer.

There are 2 serial I/O operation modes available:

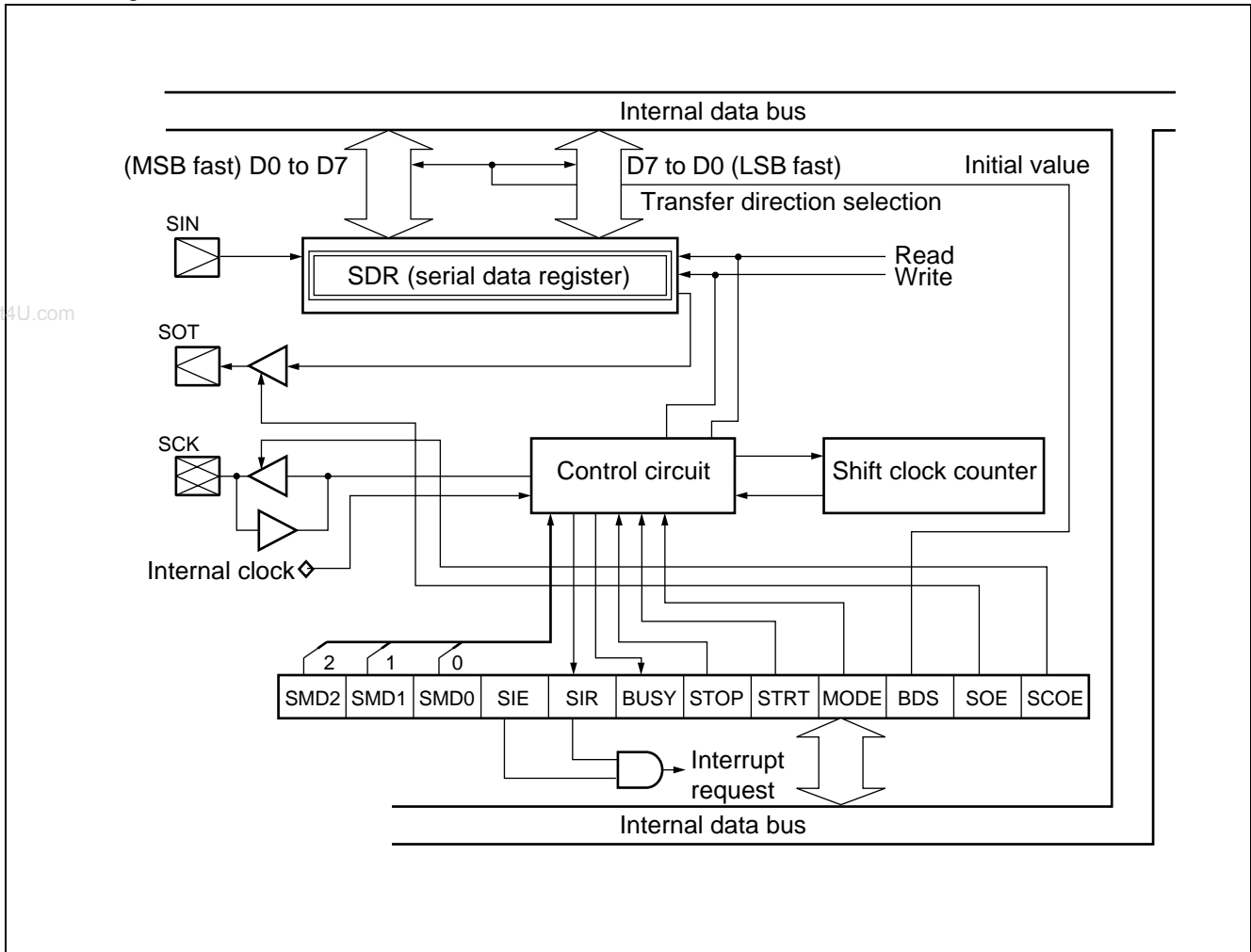
- Internal shift clock mode: Transfer data in synchronization with the internal clock.
- External shift clock mode: Transfer data in synchronization with the clock supplied via the external pin (SCK).
By manipulating the general-purpose port sharing the external pin (SCK) in this mode, data can also be transferred by a CPU instruction.

www.DataSheet4U.com

• Register list

Serial mode control status register (SMCS)								Initial Value	
bit	15	14	13	12	11	10	9	8	
Address : 000059 _H	SMD2	SMD1	SMD0	SIE	SIR	BUSY	STOP	STRT	00000010 _B
	(R/W)	(R/W)	(R/W)	(R/W)	(R/W)	(R)	(R/W)	(R/W)	
bit	7	6	5	4	3	2	1	0	Initial Value
Address : 000058 _H	—	—	—	—	MODE	BDS	SOE	SCOE	XXXX0000 _B
	(—)	(—)	(—)	(—)	(R/W)	(R/W)	(R/W)	(R/W)	
Serial data register (SDR)								Initial Value	
bit	7	6	5	4	3	2	1	0	
Address : 00005A _H	D7	D6	D5	D4	D3	D2	D1	D0	XXXXXXXX _B
	(R/W)	(R/W)	(R/W)	(R/W)	(R/W)	(R/W)	(R/W)	(R/W)	
Communication prescaler control register (SDCR)								Initial Value	
bit	15	14	13	12	11	10	9	8	
Address : 00005B _H	MD	—	—	—	DIV3	DIV2	DIV1	DIV0	0XXX0000 _B
	(R/W)	(—)	(—)	(—)	(R/W)	(R/W)	(R/W)	(R/W)	

• Block Diagram



MB90330A Series

9. I²C Interface

The I²C interface is a serial I/O port supporting the Inter IC BUS. It serves as a master/slave device on the I²C bus and has the following features.

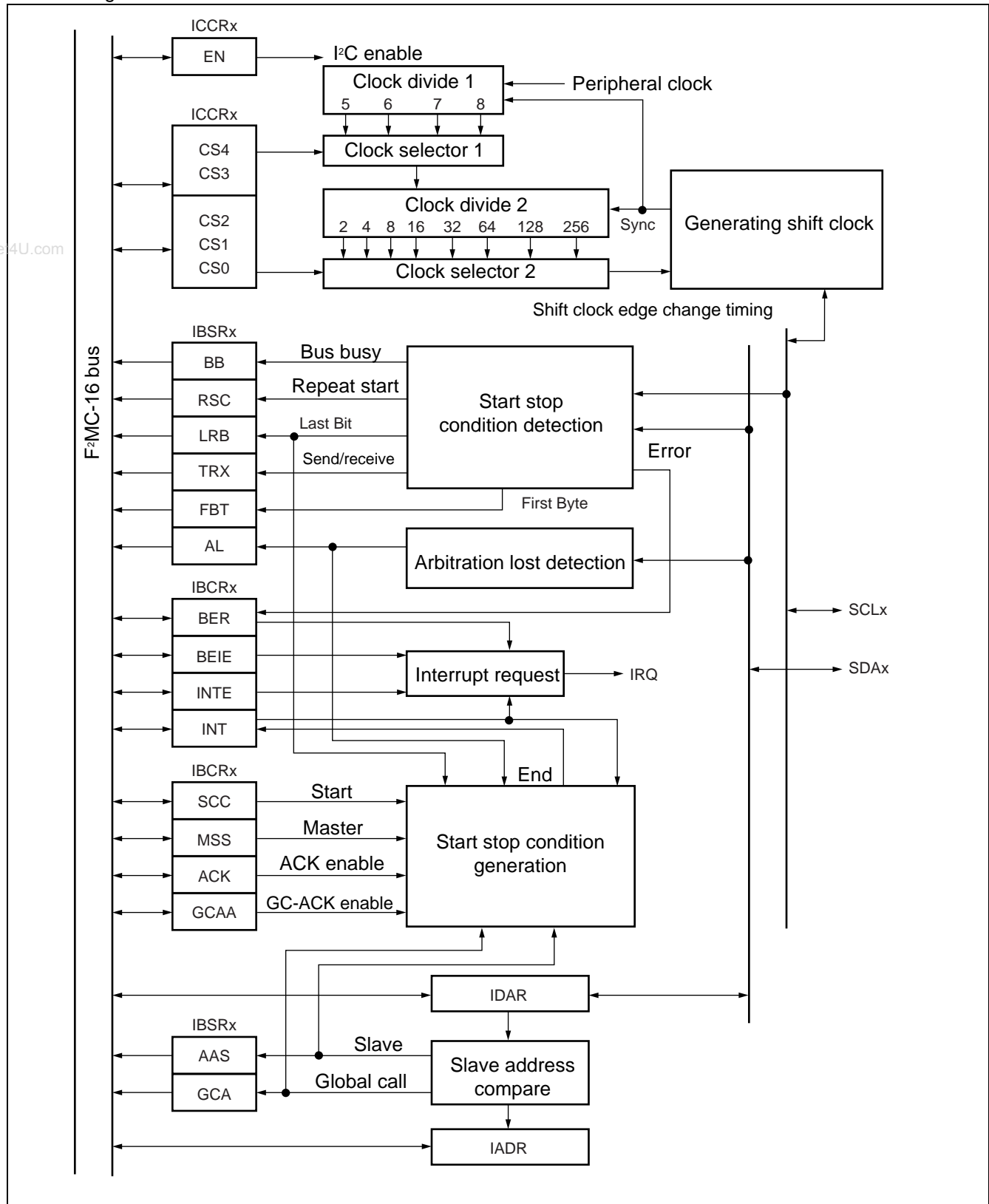
- Master/slave sending and receiving
- Arbitration function
- Clock synchronization function
- Slave address and general call address detection function
- Detecting transmitting direction function
- Start condition repeated generation and detection function
- Bus error detection function

www.DataSheet4U.com

• Register list

I ² C bus status register (IBSR0 to IBSR2)									
bit	7	6	5	4	3	2	1	0	Initial Value
Address : 000070 _H	BB	RSC	AL	LRB	TRX	AAS	GCA	FBT	00000000 _B
000076 _H	(R)	(R)	(R)	(R)	(R)	(R)	(R)	(R)	
00007C _H									
I ² C bus control register (IBCR0 to IBCR2)									
bit	15	14	13	12	11	10	9	8	Initial Value
Address : 000071 _H	BER	BEIE	SCC	MSS	ACK	GCAA	INTE	INT	00000000 _B
000077 _H	(R/W)	(R/W)	(R/W)	(R/W)	(R/W)	(R/W)	(R/W)	(R/W)	
00007D _H									
I ² C bus clock control register (ICCR0 to ICCR2)									
bit	7	6	5	4	3	2	1	0	Initial Value
Address : 000072 _H	—	—	EN	CS4	CS3	CS2	CS1	CS0	XX0XXXXX _B
000078 _H	(—)	(—)	(R/W)	(R/W)	(R/W)	(R/W)	(R/W)	(R/W)	
00007E _H									
I ² C bus address register (IADR0 to IADR2)									
bit	15	14	13	12	11	10	9	8	Initial Value
Address : 000073 _H	—	A6	A5	A4	A3	A2	A1	A0	XXXXXXXX _B
000079 _H	(—)	(R/W)	(R/W)	(R/W)	(R/W)	(R/W)	(R/W)	(R/W)	
00007F _H									
I ² C bus data register (IDAR0 to IDAR2)									
bit	7	6	5	4	3	2	1	0	Initial Value
Address : 000074 _H	D7	D6	D5	D4	D3	D2	D1	D0	XXXXXXXX _B
00007A _H	(R/W)	(R/W)	(R/W)	(R/W)	(R/W)	(R/W)	(R/W)	(R/W)	
000080 _H									

• Block Diagram



MB90330A Series

10. USB Function

The USB function is an interface supporting the USB (Universal Serial Bus) communications protocol.

• Feature of USB function

- Correspond to USB Full Speed
- Full speed (12 Mbps) is supported.
- The device status is auto-answer.
- Bit stripping, bit stuffing, and automatic generation and check of CRC5 and CRC16
- Toggle check by data synchronization bit
- Automatic response to all standard commands except Get/SetDescriptor and SynchFrame commands (these 3 commands can be processed the same way as the class vendor commands).
- The class vendor commands can be received as data and responded via firmware.
- Supports up to 6 EndPoints (EndPoint0 is fixed to control transfer)
- 2 transfer data buffers integrated for each end point (one IN buffer and one OUT buffer for EndPoint 0)
- Supports automatic transfer mode for transfer data via DMA (except buffers for EndPoint 0)

• Register list

UDC control register (UDCC)																										
Address : 0000D0 _H	<table border="1"> <tr> <td>bit 7</td><td>6</td><td>5</td><td>4</td><td>3</td><td>2</td><td>1</td><td>0</td> </tr> <tr> <td>RST</td><td>RESUM</td><td>HCON</td><td>USTP</td><td>Reserved</td><td>Reserved</td><td>RFBK</td><td>PWC</td> </tr> <tr> <td>(R/W)</td><td>(R/W)</td><td>(R/W)</td><td>(R/W)</td><td>(—)</td><td>(—)</td><td>(R/W)</td><td>(R/W)</td> </tr> </table>	bit 7	6	5	4	3	2	1	0	RST	RESUM	HCON	USTP	Reserved	Reserved	RFBK	PWC	(R/W)	(R/W)	(R/W)	(R/W)	(—)	(—)	(R/W)	(R/W)	Initial Value 1010000 _B
bit 7	6	5	4	3	2	1	0																			
RST	RESUM	HCON	USTP	Reserved	Reserved	RFBK	PWC																			
(R/W)	(R/W)	(R/W)	(R/W)	(—)	(—)	(R/W)	(R/W)																			
Address : 0000D1 _H	<table border="1"> <tr> <td>bit 15</td><td>14</td><td>13</td><td>12</td><td>11</td><td>10</td><td>9</td><td>8</td> </tr> <tr> <td>Reserved</td><td>Reserved</td><td>Reserved</td><td>Reserved</td><td>Reserved</td><td>Reserved</td><td>Reserved</td><td>Reserved</td> </tr> <tr> <td>(—)</td><td>(—)</td><td>(—)</td><td>(—)</td><td>(—)</td><td>(—)</td><td>(—)</td><td>(—)</td> </tr> </table>	bit 15	14	13	12	11	10	9	8	Reserved	Reserved	Reserved	Reserved	Reserved	Reserved	Reserved	Reserved	(—)	(—)	(—)	(—)	(—)	(—)	(—)	(—)	Initial Value 0000000 _B
bit 15	14	13	12	11	10	9	8																			
Reserved	Reserved	Reserved	Reserved	Reserved	Reserved	Reserved	Reserved																			
(—)	(—)	(—)	(—)	(—)	(—)	(—)	(—)																			
EP0 control register (EP0C)																										
Address : 0000D2 _H	<table border="1"> <tr> <td>bit 7</td><td>6</td><td>5</td><td>4</td><td>3</td><td>2</td><td>1</td><td>0</td> </tr> <tr> <td>Reserved</td><td>PKS0</td><td>PKS0</td><td>PKS0</td><td>PKS0</td><td>PKS0</td><td>PKS0</td><td>PKS0</td> </tr> <tr> <td>(—)</td><td>(R/W)</td><td>(R/W)</td><td>(R/W)</td><td>(R/W)</td><td>(R/W)</td><td>(R/W)</td><td>(R/W)</td> </tr> </table>	bit 7	6	5	4	3	2	1	0	Reserved	PKS0	PKS0	PKS0	PKS0	PKS0	PKS0	PKS0	(—)	(R/W)	(R/W)	(R/W)	(R/W)	(R/W)	(R/W)	(R/W)	Initial Value 0100000 _B
bit 7	6	5	4	3	2	1	0																			
Reserved	PKS0	PKS0	PKS0	PKS0	PKS0	PKS0	PKS0																			
(—)	(R/W)	(R/W)	(R/W)	(R/W)	(R/W)	(R/W)	(R/W)																			
Address : 0000D3 _H	<table border="1"> <tr> <td>bit 15</td><td>14</td><td>13</td><td>12</td><td>11</td><td>10</td><td>9</td><td>8</td> </tr> <tr> <td>—</td><td>—</td><td>—</td><td>—</td><td>Reserved</td><td>Reserved</td><td>STAL</td><td>Reserved</td> </tr> <tr> <td>(—)</td><td>(—)</td><td>(—)</td><td>(—)</td><td>(—)</td><td>(—)</td><td>(R/W)</td><td>(—)</td> </tr> </table>	bit 15	14	13	12	11	10	9	8	—	—	—	—	Reserved	Reserved	STAL	Reserved	(—)	(—)	(—)	(—)	(—)	(—)	(R/W)	(—)	Initial Value XXXX0000 _B
bit 15	14	13	12	11	10	9	8																			
—	—	—	—	Reserved	Reserved	STAL	Reserved																			
(—)	(—)	(—)	(—)	(—)	(—)	(R/W)	(—)																			
EP1 control register (EP1C)																										
Address : 0000D4 _H	<table border="1"> <tr> <td>bit 7</td><td>6</td><td>5</td><td>4</td><td>3</td><td>2</td><td>1</td><td>0</td> </tr> <tr> <td>PKS1</td><td>PKS1</td><td>PKS1</td><td>PKS1</td><td>PKS1</td><td>PKS1</td><td>PKS1</td><td>PKS1</td> </tr> <tr> <td>(R/W)</td><td>(R/W)</td><td>(R/W)</td><td>(R/W)</td><td>(R/W)</td><td>(R/W)</td><td>(R/W)</td><td>(R/W)</td> </tr> </table>	bit 7	6	5	4	3	2	1	0	PKS1	PKS1	PKS1	PKS1	PKS1	PKS1	PKS1	PKS1	(R/W)	(R/W)	(R/W)	(R/W)	(R/W)	(R/W)	(R/W)	(R/W)	Initial Value 0000000 _B
bit 7	6	5	4	3	2	1	0																			
PKS1	PKS1	PKS1	PKS1	PKS1	PKS1	PKS1	PKS1																			
(R/W)	(R/W)	(R/W)	(R/W)	(R/W)	(R/W)	(R/W)	(R/W)																			
Address : 0000D5 _H	<table border="1"> <tr> <td>bit 15</td><td>14</td><td>13</td><td>12</td><td>11</td><td>10</td><td>9</td><td>8</td> </tr> <tr> <td>EPEN</td><td>TYPE</td><td>TYPE</td><td>DIR</td><td>DMAE</td><td>NULE</td><td>STAL</td><td>PKS1</td> </tr> <tr> <td>(R/W)</td><td>(R/W)</td><td>(R/W)</td><td>(R/W)</td><td>(R/W)</td><td>(R/W)</td><td>(R/W)</td><td>(R/W)</td> </tr> </table>	bit 15	14	13	12	11	10	9	8	EPEN	TYPE	TYPE	DIR	DMAE	NULE	STAL	PKS1	(R/W)	(R/W)	(R/W)	(R/W)	(R/W)	(R/W)	(R/W)	(R/W)	Initial Value 01100001 _B
bit 15	14	13	12	11	10	9	8																			
EPEN	TYPE	TYPE	DIR	DMAE	NULE	STAL	PKS1																			
(R/W)	(R/W)	(R/W)	(R/W)	(R/W)	(R/W)	(R/W)	(R/W)																			

(Continued)

EP2/3/4/5 control register (EP2C to EP5C)

bit	7	6	5	4	3	2	1	0	Initial Value
Address : 0000D6H	Reserved	PKS2 to 5	PKS2 to 5	PKS2 to 5	PKS2 to 5	PKS2 to 5	PKS2 to 5	PKS2 to 5	0100000B
0000D8H	(R/W)	(R/W)	(R/W)	(R/W)	(R/W)	(R/W)	(R/W)	(R/W)	
0000DAH									
0000DCH									

bit	15	14	13	12	11	10	9	8	Initial Value
Address : 0000D7H	EPEN	TYPE	TYPE	DIR	DMAE	NULE	STAL	Reserved	0110000B
0000D9H	(R/W)	(R/W)	(R/W)	(R/W)	(R/W)	(R/W)	(R/W)	(R/W)	
0000DBH									
0000DDH									

Time stamp register (TMSP)

bit	7	6	5	4	3	2	1	0	Initial Value
Address : 0000DEH	TMSP	TMSP	TMSP	TMSP	TMSP	TMSP	TMSP	TMSP	0000000B
	(R)	(R)	(R)	(R)	(R)	(R)	(R)	(R)	

bit	15	14	13	12	11	10	9	8	Initial Value
Address : 0000DFH	—	—	—	—	—	TMSP	TMSP	TMSP	XXXXX000B
	(—)	(—)	(—)	(—)	(—)	(R)	(R)	(R)	

UDC status register (UDCS)

bit	7	6	5	4	3	2	1	0	Initial Value
Address : 0000E0H	—	—	SUSP	SOF	BRST	WKUP	SETP	CONF	XX000000B
	(—)	(—)	(R/W)	(R/W)	(R/W)	(R/W)	(R/W)	(R/W)	

UDC Interrupt enable register (UDCIE)

bit	15	14	13	12	11	10	9	8	Initial Value
Address : 0000E1H	Reserved	Reserved	SUSPIE	SOFIE	BRSTIE	WKUPIE	CONFN	CONFIE	0000000B
	(—)	(—)	(R/W)	(R/W)	(R/W)	(R/W)	(R)	(R/W)	

EP0I status register (EP0IS)

bit	7	6	5	4	3	2	1	0	Initial Value
Address : 0000E2H	—	—	—	—	—	—	—	—	XXXXXXXXB
	(—)	(—)	(—)	(—)	(—)	(—)	(—)	(—)	

bit	15	14	13	12	11	10	9	8	Initial Value
Address : 0000E3H	BFINI	DRQIE	—	—	—	DRQI	—	—	10XXX1XXB
	(R/W)	(R/W)	(—)	(—)	(—)	(R/W)	(—)	(—)	

(Continued)

MB90330A Series

(Continued)

EP00 status register (EP00S)

bit	7	6	5	4	3	2	1	0	Initial Value
Address : 0000E4H	Reserved	SIZE	SIZE	SIZE	SIZE	SIZE	SIZE	SIZE	0XXXXXXXX _B
	(—)	(R)	(R)	(R)	(R)	(R)	(R)	(R)	

bit	15	14	13	12	11	10	9	8	Initial Value
Address : 0000E5H	BFINI	DRQOIE	SPKIE	—	—	DRQO	SPK	Reserved	100XX000 _B
	(R/W)	(R/W)	(R/W)	(—)	(—)	(R/W)	(R/W)	(—)	

EP1 status register (EP1S)

bit	7	6	5	4	3	2	1	0	Initial Value
Address : 0000E6H	SIZE	SIZE	SIZE	SIZE	SIZE	SIZE	SIZE	SIZE	XXXXXXXX _B
	(R)	(R)	(R)	(R)	(R)	(R)	(R)	(R)	

bit	15	14	13	12	11	10	9	8	Initial Value
Address : 0000E7H	BFINI	DRQIE	SPKIE	Reserved	BUSY	DRQ	SPK	SIZE	100000X _B
	(R/W)	(R/W)	(R/W)	(—)	(R)	(R/W)	(R/W)	(R)	

EP2/3/4/5 status register (EP2S to EP5S)

bit	7	6	5	4	3	2	1	0	Initial Value
Address : 0000E8H	Reserved	SIZE	SIZE	SIZE	SIZE	SIZE	SIZE	SIZE	XXXXXXXX _B
0000EAH	(—)	(R)	(R)	(R)	(R)	(R)	(R)	(R)	
0000ECH									
0000EEH									

bit	15	14	13	12	11	10	9	8	Initial Value
Address : 0000E9H	BFINI	DRQIE	SPKIE	Reserved	BUSY	DRQ	SPK	Reserved	1000000 _B
0000EBH	(R/W)	(R/W)	(R/W)	(—)	(R)	(R/W)	(R/W)	(—)	
0000EDH									
0000EFH									

EP0/1/2/3/4/5 data register (EP0DT to EP5DT)

bit	7	6	5	4	3	2	1	0	Initial Value
Address : 0000F0H	BFD	BFD	BFD	BFD	BFD	BFD	BFD	BFD	XXXXXXXX _B
0000F2H	(R/W)	(R/W)	(R/W)	(R/W)	(R/W)	(R/W)	(R/W)	(R/W)	
0000F4H									
0000F6H									
0000F8H									
0000FAH									

bit	15	14	13	12	11	10	9	8	Initial Value
Address : 0000F1H	BFD	BFD	BFD	BFD	BFD	BFD	BFD	BFD	XXXXXXXX _B
0000F3H	(R/W)	(R/W)	(R/W)	(R/W)	(R/W)	(R/W)	(R/W)	(R/W)	
0000F5H									
0000F7H									
0000F9H									
0000FBH									

11. USB Mini-HOST

USB Mini-HOST provides minimal host operations required and is a function that enables data to be transferred to and from Device without PC intervention.

- Feature of USB Mini-HOST
 - Automatic detection of Low Speed/Full Speed transfer
 - Low Speed/Full Speed transfer support
 - Automatic detection of connection and cutting device
 - Reset sending function support to USB-bus
 - Support of IN/OUT/SETUP/SOF token
 - In-token handshake packet automatic transmission (excluding STALL)
 - Out-token handshake packet automatic detection
 - Supports a maximum packet length of 256 bytes.
 - Error (CRC error/toggle error/time-out) various supports
 - Wake-Up function support
- Differences between the USB HOST and USB Mini-HOST

		HOST	Mini-HOST
Hub support		○	×
Transfer	Bulk transfer	○	○
	Control transfer	○	○
	Interrupt transfer	○	○
	ISO transfer	○	×
Transfer speed	Low Speed	○	○
	Full Speed	○	○
PRE packet support		○	×
SOF packet support		○	○
Error	CRC error	○	○
	Toggle error	○	○
	Time-out	○	○
	Maximum packet < receive data	○	○
Detection of connection and cutting of device		○	○
Transfer speed detection		○	○

- : Supported
 × : Not supported

MB90330A Series

• Register list

Host control register 0 (HCNT0)

bit	7	6	5	4	3	2	1	0	Initial Value
Address : 0000C0H	RWKIRE	URIRE	CMPIRE	CNNIRE	DIRE	SOFIRE	URST	HOST	0000000B
	(R/W)	(R/W)	(R/W)	(R/W)	(R/W)	(R/W)	(R/W)	(R/W)	

Host control register 1 (HCNT1)

bit	15	14	13	12	11	10	9	8	Initial Value
Address : 0000C1H	Reserved	Reserved	Reserved	Reserved	Reserved	SOFSTEP	CANCEL	RETRY	0000001B
	(R/W)	(R/W)	(R/W)	(R/W)	(R/W)	(R/W)	(R/W)	(R/W)	

Host interruption register (HIRQ)

bit	7	6	5	4	3	2	1	0	Initial Value
Address : 0000C2H	TCAN	Reserved	RWKIRQ	URIRQ	CMPIRQ	CNNIRQ	DIRQ	SOFIRQ	0000000B
	(R/W)	(R/W)	(R/W)	(R/W)	(R/W)	(R/W)	(R/W)	(R/W)	

Host error status register (HERR)

bit	15	14	13	12	11	10	9	8	Initial Value
Address : 0000C3H	LSTSOF	RERR	TOUT	CRC	TGERR	STUFF	HS	HS	0000011B
	(R/W)	(R/W)	(R/W)	(R/W)	(R/W)	(R/W)	(R/W)	(R/W)	

Host state status register (HSTATE)

bit	7	6	5	4	3	2	1	0	Initial Value
Address : 0000C4H	—	—	ALIVE	CLKSEL	SOFBUSY	SUSP	TMODE	CSTAT	XX010010B
	(—)	(—)	(R/W)	(R/W)	(R/W)	(R/W)	(R)	(R)	

SOF interruption FRAME comparison register (HFCOMP)

bit	15	14	13	12	11	10	9	8	Initial Value
Address : 0000C5H	FRAME COMP	FRAME COMP	FRAME COMP	FRAME COMP	FRAME COMP	FRAME COMP	FRAME COMP	FRAME COMP	0000000B
	(R/W)	(R/W)	(R/W)	(R/W)	(R/W)	(R/W)	(R/W)	(R/W)	

(Continued)

(Continued)

Retry timer setting register (HRTIMER)

bit	7	6	5	4	3	2	1	0	Initial Value
Address : 0000C6 _H	RTIMER0	RTIMER0	RTIMER0	RTIMER0	RTIMER0	RTIMER0	RTIMER0	RTIMER0	0000000 _B
	(R/W)	(R/W)	(R/W)	(R/W)	(R/W)	(R/W)	(R/W)	(R/W)	

bit	15	14	13	12	11	10	9	8	Initial Value
Address : 0000C7 _H	RTIMER1	RTIMER1	RTIMER1	RTIMER1	RTIMER1	RTIMER1	RTIMER1	RTIMER1	0000000 _B
	(R/W)	(R/W)	(R/W)	(R/W)	(R/W)	(R/W)	(R/W)	(R/W)	

bit	7	6	5	4	3	2	1	0	Initial Value
Address : 0000C8 _H	—	—	—	—	—	—	RTIMER2	RTIMER2	XXXXXX00 _B
	(—)	(—)	(—)	(—)	(—)	(—)	(R/W)	(R/W)	

Host address register (HADR)

bit	15	14	13	12	11	10	9	8	Initial Value
Address : 0000C9 _H	—	ADDRESS	ADDRESS	ADDRESS	ADDRESS	ADDRESS	ADDRESS	ADDRESS	X000000 _B
	(—)	(R/W)	(R/W)	(R/W)	(R/W)	(R/W)	(R/W)	(R/W)	

EOF setting register (HEOF)

bit	7	6	5	4	3	2	1	0	Initial Value
Address : 0000CA _H	EOF0	EOF0	EOF0	EOF0	EOF0	EOF0	EOF0	EOF0	0000000 _B
	(R/W)	(R/W)	(R/W)	(R/W)	(R/W)	(R/W)	(R/W)	(R/W)	

bit	15	14	13	12	11	10	9	8	Initial Value
Address : 0000CB _H	—	—	EOF1	EOF1	EOF1	EOF1	EOF1	EOF1	XX00000 _B
	(—)	(—)	(R/W)	(R/W)	(R/W)	(R/W)	(R/W)	(R/W)	

FRAME setting register (HFRAME)

bit	7	6	5	4	3	2	1	0	Initial Value
Address : 0000CC _H	FRAME0	FRAME0	FRAME0	FRAME0	FRAME0	FRAME0	FRAME0	FRAME0	0000000 _B
	(R/W)	(R/W)	(R/W)	(R/W)	(R/W)	(R/W)	(R/W)	(R/W)	

bit	15	14	13	12	11	10	9	8	Initial Value
Address : 0000CD _H	—	—	—	—	—	FRAME1	FRAME1	FRAME1	XXXXX000 _B
	(—)	(—)	(—)	(—)	(—)	(R/W)	(R/W)	(R/W)	

Host token end point register (HTOKEN)

bit	7	6	5	4	3	2	1	0	Initial Value
Address : 0000CE _H	TGGL	TKNEN	TKNEN	TKNEN	ENDPT	ENDPT	ENDPT	ENDPT	0000000 _B
	(R/W)	(R/W)	(R/W)	(R/W)	(R/W)	(R/W)	(R/W)	(R/W)	

MB90330A Series

12. 8/10-bit A/D converter

The A/D converter converts analog input voltages into digital values and has the following features.

- RC sequential compare conversion method with sample and hold circuit
- Selectable 8-bit resolution or 10-bit resolution
- Analog input program-selectable from among 16 channels

Single conversion mode : Convert 1 selected channel

Scan conversion mode : Continuous plural channels (maximum 16 channels can be programmed) are converted.

Continuous conversion mode : Repeatedly convert the specified channels.

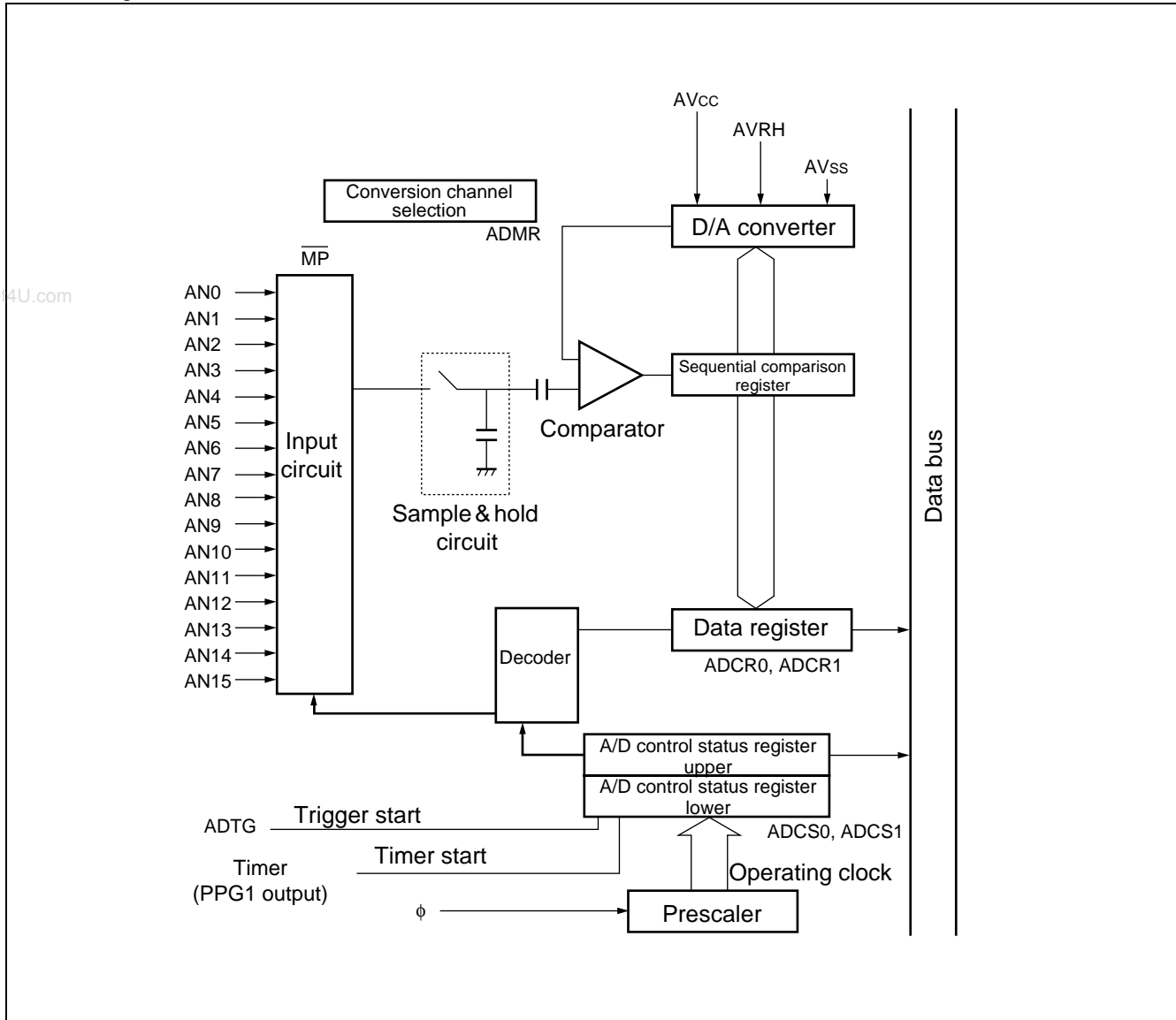
www.DataSheet4U.com Stop conversion mode: Convert 1 channel then suspend conversion to remain on standby until the next activation (Simultaneous conversion start available).

- An interrupt request to the CPU can be generated upon completion of A/D conversion. Suitable for continuous processing as this interrupt activates μ DMA to transfer the data resulting from A/D conversion to memory.
- The activation source can be selected from among software, external trigger (falling edge), and timer (rising edge).

• Register list

A/D control status register lower/upper (ADCS0/ADCS1)								Initial Value	
Address : 000040 _H	bit 7	6	5	4	3	2	1	0	00 - - - - 0 _B
	MD1	MD0	—	—	—	—	—	Reserved	
	(R/W)	(R/W)	(—)	(—)	(—)	(—)	(—)	(R/W)	
A/D control status register upper (ADCS2/ADCS3)								Initial Value	
Address : 000041 _H	bit 15	14	13	12	11	10	9	8	00000000 _B
	BUSY	INT	INTE	PAUS	STS1	STS0	STRT	Reserved	
	(R/W)	(R/W)	(R/W)	(R/W)	(R/W)	(R/W)	(W)	(R/W)	
A/D data register lower/upper (ADCR0/ADCR1)								Initial Value	
Address : 000042 _H	bit 7	6	5	4	3	2	1	0	XXXXXXXX _B
	D7	D6	D5	D4	D3	D2	D1	D0	
	(R)	(R)	(R)	(R)	(R)	(R)	(R)	(R)	
A/D data register upper (ADCR2/ADCR3)								Initial Value	
Address : 000043 _H	bit 15	14	13	12	11	10	9	8	00101XXX _B
	S10	ST1	ST0	CT1	CT0	—	D9	D8	
	(R/W)	(W)	(W)	(W)	(W)	(—)	(R)	(R)	
A/D conversion channel selection register (ADMR)								Initial Value	
Address : 000045 _H	bit 15	14	13	12	11	10	9	8	00000000 _B
	ANS3	ANS2	ANS1	ANS0	ANE3	ANE2	ANE1	ANE0	
	(R/W)	(R/W)	(R/W)	(R/W)	(R/W)	(R/W)	(R/W)	(R/W)	

• Block Diagram



MB90330A Series

13. DTP/External interrupt circuit

DTP (Data Transfer Peripheral)/External interrupt circuit detects the interrupt request input from the external interrupt input terminal (INT7 to INT0) , and outputs the interrupt request.

- DTP/External interrupt circuit function

The DTP/External interrupt function outputs an interrupt request upon detection of the edge or level signal input to the external interrupt input pins (INT7 to INT0).

If CPU accepts the interrupt request, and if the extended intelligent I/O service (EI²OS) is enabled, branches to the interrupt handling routine after completing the automatic data transfer (DTP function) performed by EI²OS. And if EI²OS is disabled, it branches to the interrupt handling routine without activating the automatic data transfer (DTP function) performed by EI²OS.

- Overview of DTP/External interrupt circuit

	External interrupt	DTP function
Input pin	8 channels (P60/INT0, P61/INT1, P62/INT2/SIN, P63/INT3/SOT, P64/INT4/SCK, P65/INT5/PWC, P66/INT6/SCL0, P67/INT7/SDA0)	
Interrupt source	The detection level or the type of the edge for each terminal can be set in the request level setting register (ELVR).	
	Input of H level/L level/rising edge/falling edge.	
Interrupt number	#18 (12H), #20 (14H), #22 (16H), #24 (18H)	
Interrupt control	Enabling/disabling the interrupt request output using the DTP/interrupt enable register (ENIR)	
Interrupt flag	Holding the interrupt causes using the DTP/interrupt cause register (EIRR)	
Process setting	Disable EI ² OS (ICR: ISE="0")	Enable EI ² OS (ICR: ISE="1")
Process	Branched to the interrupt handling routine	After an automatic data transfer by EI ² OS, branched to the interrupt handling routine

• Register list

DTP/Interrupt enable register (ENIR)

Address : 00003C _H	bit 7	6	5	4	3	2	1	0	Initial Value
	EN7	EN6	EN5	EN4	EN3	EN2	EN1	EN0	00000000 _B
	(R/W)	(R/W)	(R/W)	(R/W)	(R/W)	(R/W)	(R/W)	(R/W)	

DTP/Interrupt source register (EIRR)

Address : 00003D _H	bit 15	14	13	12	11	10	9	8	Initial Value
	ER7	ER6	ER5	ER4	ER3	ER2	ER1	ER0	00000000 _B
	(R/W)	(R/W)	(R/W)	(R/W)	(R/W)	(R/W)	(R/W)	(R/W)	

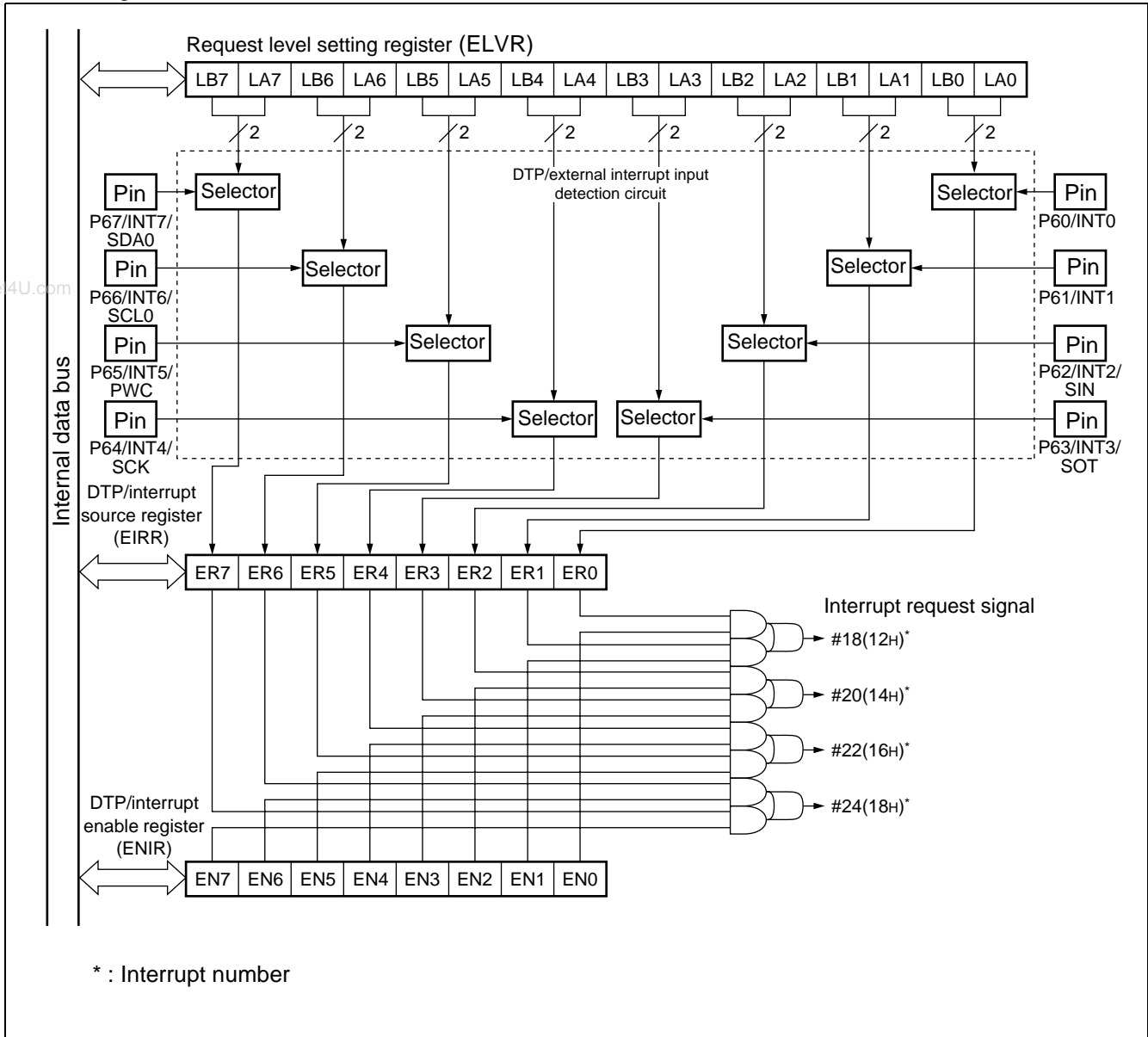
Request level setting register (ELVR)

Address : 00003E _H	bit 7	6	5	4	3	2	1	0	Initial Value
	LB3	LA3	LB2	LA2	LB1	LA1	LB0	LA0	00000000 _B
	(R/W)	(R/W)	(R/W)	(R/W)	(R/W)	(R/W)	(R/W)	(R/W)	

Address : 00003F _H	bit 15	14	13	12	11	10	9	8	Initial Value
	LB7	LA7	LB6	LA6	LB5	LA5	LB4	LA4	00000000 _B
	(R/W)	(R/W)	(R/W)	(R/W)	(R/W)	(R/W)	(R/W)	(R/W)	

MB90330A Series

• Block Diagram



14. Interrupt controller

The interrupt control register is located inside the interrupt controller; it exists for every I/O having an interrupt function. This register has the following functions.

- Setting of the interrupt levels of relevant resources

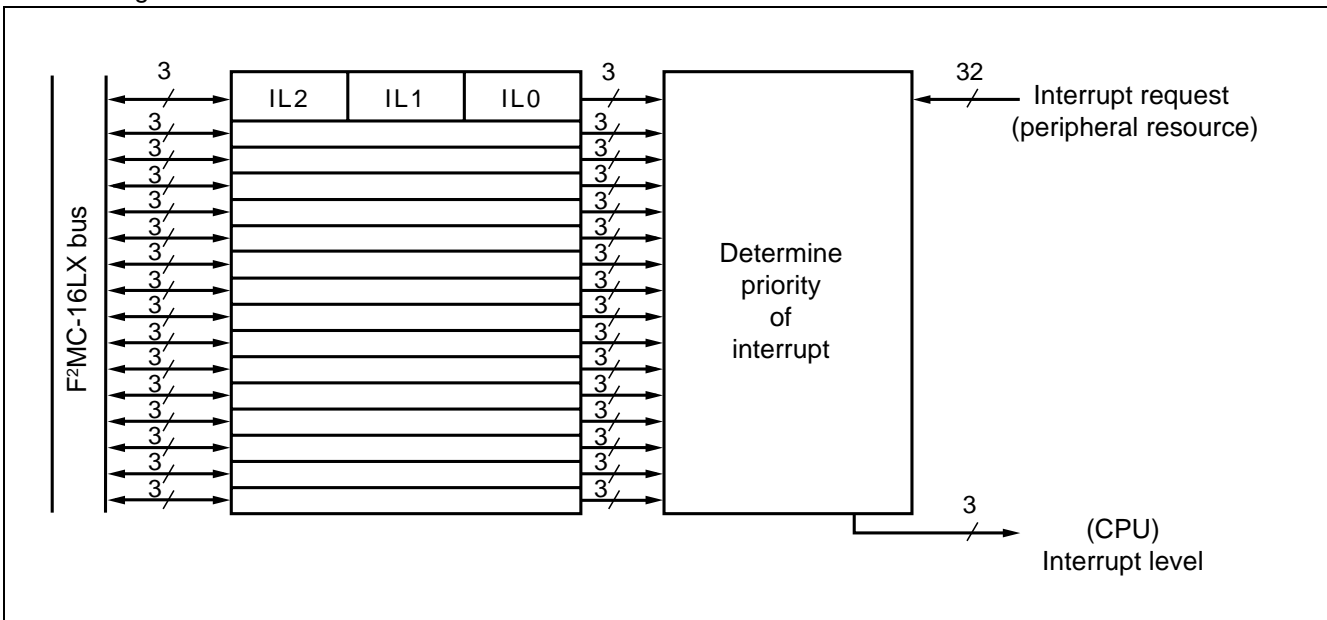
• Register list

Interrupt control register (ICR01, ICR03, ICR05, ICR07, ICR09, ICR11, ICR13, ICR15)		bit								Initial Value
Address :	ICR01 : 0000B1H	15	14	13	12	11	10	9	8	00000111 _B
	ICR03 : 0000B3H	ICS3	ICS2	ICS1	ICS0	ISE	IL2	IL1	IL0	...
	ICR05 : 0000B5H	(W)	(W)	(W)	(W)	(R/W)	(R/W)	(R/W)	(R/W)	...
	ICR07 : 0000B7H									
	ICR09 : 0000B9H									
	ICR11 : 0000BBH									
	ICR13 : 0000BDH									
	ICR15 : 0000BFH									

Interrupt control register (ICR00, ICR02, ICR04, ICR06, ICR08, ICR10, ICR12, ICR14)		bit								Initial Value
Address :	ICR00 : 0000B0H	7	6	5	4	3	2	1	0	00000111 _B
	ICR02 : 0000B2H	ICS3	ICS2	ICS1	ICS0	ISE	IL2	IL1	IL0	...
	ICR04 : 0000B4H	(W)	(W)	(W)	(W)	(R/W)	(R/W)	(R/W)	(R/W)	...
	ICR06 : 0000B6H									
	ICR08 : 0000B8H									
	ICR10 : 0000BAH									
	ICR12 : 0000BCH									
	ICR14 : 0000BEH									

Note : Do not access interrupt control registers using any read modify write instruction because it causes a malfunction.

• Block Diagram



MB90330A Series

15. μ DMAC

μ DMAC is simple DMA with the function equal with EI²OS. It has 16 channels DMA transfer channels with the following features.

- Performs automatic data transfer between the peripheral resource (I/O) and memory
- The program execution of CPU stops in the DMA start-up
- Capable of selecting whether to increment the transfer source and destination addresses
- DMA transfer is controlled by the DMA enable register, DMA stop status register, DMA status register, and descriptor.
- A STOP request is available for stopping DMA transfer from the resource.

Upon completion of DMA transfer, the flag bit corresponding to the transfer completed channel in the DMA status register is set and a termination interrupt is output to the transfer controller.

• Register list

DMA enable register upper (DERH)																													
Address : 0000AD _H	<table border="1"> <thead> <tr> <th>bit</th> <th>15</th> <th>14</th> <th>13</th> <th>12</th> <th>11</th> <th>10</th> <th>9</th> <th>8</th> </tr> </thead> <tbody> <tr> <td></td> <td>EN15</td> <td>EN14</td> <td>EN13</td> <td>EN12</td> <td>EN11</td> <td>EN10</td> <td>EN9</td> <td>EN8</td> </tr> <tr> <td></td> <td>(R/W)</td> <td>(R/W)</td> <td>(R/W)</td> <td>(R/W)</td> <td>(R/W)</td> <td>(R/W)</td> <td>(R/W)</td> <td>(R/W)</td> </tr> </tbody> </table>	bit	15	14	13	12	11	10	9	8		EN15	EN14	EN13	EN12	EN11	EN10	EN9	EN8		(R/W)	(R/W)	(R/W)	(R/W)	(R/W)	(R/W)	(R/W)	(R/W)	Initial Value 00000000 _B
bit	15	14	13	12	11	10	9	8																					
	EN15	EN14	EN13	EN12	EN11	EN10	EN9	EN8																					
	(R/W)	(R/W)	(R/W)	(R/W)	(R/W)	(R/W)	(R/W)	(R/W)																					
DMA enable register lower (DERL)																													
Address : 0000AC _H	<table border="1"> <thead> <tr> <th>bit</th> <th>7</th> <th>6</th> <th>5</th> <th>4</th> <th>3</th> <th>2</th> <th>1</th> <th>0</th> </tr> </thead> <tbody> <tr> <td></td> <td>EN7</td> <td>EN6</td> <td>EN5</td> <td>EN4</td> <td>EN3</td> <td>EN2</td> <td>EN1</td> <td>EN0</td> </tr> <tr> <td></td> <td>(R/W)</td> <td>(R/W)</td> <td>(R/W)</td> <td>(R/W)</td> <td>(R/W)</td> <td>(R/W)</td> <td>(R/W)</td> <td>(R/W)</td> </tr> </tbody> </table>	bit	7	6	5	4	3	2	1	0		EN7	EN6	EN5	EN4	EN3	EN2	EN1	EN0		(R/W)	(R/W)	(R/W)	(R/W)	(R/W)	(R/W)	(R/W)	(R/W)	Initial Value 00000000 _B
bit	7	6	5	4	3	2	1	0																					
	EN7	EN6	EN5	EN4	EN3	EN2	EN1	EN0																					
	(R/W)	(R/W)	(R/W)	(R/W)	(R/W)	(R/W)	(R/W)	(R/W)																					
DMA stop status register (DSSR)																													
Address : 0000A4 _H	<table border="1"> <thead> <tr> <th>bit</th> <th>7</th> <th>6</th> <th>5</th> <th>4</th> <th>3</th> <th>2</th> <th>1</th> <th>0</th> </tr> </thead> <tbody> <tr> <td></td> <td>STP7 STP15</td> <td>STP6 STP14</td> <td>STP5 STP13</td> <td>STP4 STP12</td> <td>STP3 STP11</td> <td>STP2 STP10</td> <td>STP1 STP9</td> <td>STP0 STP8</td> </tr> <tr> <td></td> <td>(R/W)</td> <td>(R/W)</td> <td>(R/W)</td> <td>(R/W)</td> <td>(R/W)</td> <td>(R/W)</td> <td>(R/W)</td> <td>(R/W)</td> </tr> </tbody> </table>	bit	7	6	5	4	3	2	1	0		STP7 STP15	STP6 STP14	STP5 STP13	STP4 STP12	STP3 STP11	STP2 STP10	STP1 STP9	STP0 STP8		(R/W)	(R/W)	(R/W)	(R/W)	(R/W)	(R/W)	(R/W)	(R/W)	Initial Value 00000000 _B *
bit	7	6	5	4	3	2	1	0																					
	STP7 STP15	STP6 STP14	STP5 STP13	STP4 STP12	STP3 STP11	STP2 STP10	STP1 STP9	STP0 STP8																					
	(R/W)	(R/W)	(R/W)	(R/W)	(R/W)	(R/W)	(R/W)	(R/W)																					
DMA status register upper (DSRH)																													
Address : 00009D _H	<table border="1"> <thead> <tr> <th>bit</th> <th>15</th> <th>14</th> <th>13</th> <th>12</th> <th>11</th> <th>10</th> <th>9</th> <th>8</th> </tr> </thead> <tbody> <tr> <td></td> <td>DTE15</td> <td>DTE14</td> <td>DTE13</td> <td>DTE12</td> <td>DTE11</td> <td>DTE10</td> <td>DTE9</td> <td>DTE8</td> </tr> <tr> <td></td> <td>(R/W)</td> <td>(R/W)</td> <td>(R/W)</td> <td>(R/W)</td> <td>(R/W)</td> <td>(R/W)</td> <td>(R/W)</td> <td>(R/W)</td> </tr> </tbody> </table>	bit	15	14	13	12	11	10	9	8		DTE15	DTE14	DTE13	DTE12	DTE11	DTE10	DTE9	DTE8		(R/W)	(R/W)	(R/W)	(R/W)	(R/W)	(R/W)	(R/W)	(R/W)	Initial Value 00000000 _B
bit	15	14	13	12	11	10	9	8																					
	DTE15	DTE14	DTE13	DTE12	DTE11	DTE10	DTE9	DTE8																					
	(R/W)	(R/W)	(R/W)	(R/W)	(R/W)	(R/W)	(R/W)	(R/W)																					
DMA status register lower (DSRL)																													
Address : 00009C _H	<table border="1"> <thead> <tr> <th>bit</th> <th>7</th> <th>6</th> <th>5</th> <th>4</th> <th>3</th> <th>2</th> <th>1</th> <th>0</th> </tr> </thead> <tbody> <tr> <td></td> <td>DTE7</td> <td>DTE6</td> <td>DTE5</td> <td>DTE4</td> <td>DTE3</td> <td>DTE2</td> <td>DTE1</td> <td>DTE0</td> </tr> <tr> <td></td> <td>(R/W)</td> <td>(R/W)</td> <td>(R/W)</td> <td>(R/W)</td> <td>(R/W)</td> <td>(R/W)</td> <td>(R/W)</td> <td>(R/W)</td> </tr> </tbody> </table>	bit	7	6	5	4	3	2	1	0		DTE7	DTE6	DTE5	DTE4	DTE3	DTE2	DTE1	DTE0		(R/W)	(R/W)	(R/W)	(R/W)	(R/W)	(R/W)	(R/W)	(R/W)	Initial Value 00000000 _B
bit	7	6	5	4	3	2	1	0																					
	DTE7	DTE6	DTE5	DTE4	DTE3	DTE2	DTE1	DTE0																					
	(R/W)	(R/W)	(R/W)	(R/W)	(R/W)	(R/W)	(R/W)	(R/W)																					
DMA descriptor channel specification register (DCSR)																													
Address : 00009B _H	<table border="1"> <thead> <tr> <th>bit</th> <th>15</th> <th>14</th> <th>13</th> <th>12</th> <th>11</th> <th>10</th> <th>9</th> <th>8</th> </tr> </thead> <tbody> <tr> <td></td> <td>STP</td> <td>Reserved</td> <td>Reserved</td> <td>Reserved</td> <td>DCSR3</td> <td>DCSR2</td> <td>DCSR1</td> <td>DCSR0</td> </tr> <tr> <td></td> <td>(R/W)</td> <td>(R/W)</td> <td>(R/W)</td> <td>(R/W)</td> <td>(R/W)</td> <td>(R/W)</td> <td>(R/W)</td> <td>(R/W)</td> </tr> </tbody> </table>	bit	15	14	13	12	11	10	9	8		STP	Reserved	Reserved	Reserved	DCSR3	DCSR2	DCSR1	DCSR0		(R/W)	(R/W)	(R/W)	(R/W)	(R/W)	(R/W)	(R/W)	(R/W)	Initial Value 00000000 _B
bit	15	14	13	12	11	10	9	8																					
	STP	Reserved	Reserved	Reserved	DCSR3	DCSR2	DCSR1	DCSR0																					
	(R/W)	(R/W)	(R/W)	(R/W)	(R/W)	(R/W)	(R/W)	(R/W)																					
* : The DSSR is lower when the STP bit of DCSR in the DSSR is "0". The DSSR is upper when the STP bit of DCSR in the DSSR is "1".																													

(Continued)

(Continued)

DMA buffer address pointer lower 8-bit (DBAPL)

bit	7	6	5	4	3	2	1	0	Initial Value
Address : 007920H	DBAPL	DBAPL	DBAPL	DBAPL	DBAPL	DBAPL	DBAPL	DBAPL	XXXXXXXX _B
	(R/W)	(R/W)	(R/W)	(R/W)	(R/W)	(R/W)	(R/W)	(R/W)	

DMA buffer address pointer middle 8-bit (DBAPM)

bit	15	14	13	12	11	10	9	8	Initial Value
Address : 007921H	DBAPM	DBAPM	DBAPM	DBAPM	DBAPM	DBAPM	DBAPM	DBAPM	XXXXXXXX _B
	(R/W)	(R/W)	(R/W)	(R/W)	(R/W)	(R/W)	(R/W)	(R/W)	

DMA buffer address pointer upper 8-bit (DBAPH)

bit	7	6	5	4	3	2	1	0	Initial Value
Address : 007922H	DBAPH	DBAPH	DBAPH	DBAPH	DBAPH	DBAPH	DBAPH	DBAPH	XXXXXXXX _B
	(R/W)	(R/W)	(R/W)	(R/W)	(R/W)	(R/W)	(R/W)	(R/W)	

DMA control register (DMACS)

bit	15	14	13	12	11	10	9	8	Initial Value
Address : 007923H	RDY2	RDY1	BYTEL	IF	BW	BF	DIR	SE	XXXXXXXX _B
	(R/W)	(R/W)	(R/W)	(R/W)	(R/W)	(R/W)	(R/W)	(R/W)	

DMA I/O register address pointer lower 8-bit (DIOAL)

bit	7	6	5	4	3	2	1	0	Initial Value
Address : 007924H	A07	A06	A05	A04	A03	A02	A01	A00	XXXXXXXX _B
	(R/W)	(R/W)	(R/W)	(R/W)	(R/W)	(R/W)	(R/W)	(R/W)	

DMA I/O register address pointer upper 8-bit (DIOAH)

bit	15	14	13	12	11	10	9	8	Initial Value
Address : 007925H	A15	A14	A13	A12	A11	A10	A09	A08	XXXXXXXX _B
	(R/W)	(R/W)	(R/W)	(R/W)	(R/W)	(R/W)	(R/W)	(R/W)	

DMA data counter lower 8-bit (DDCTL)

bit	7	6	5	4	3	2	1	0	Initial Value
Address : 007926H	B07	B06	B05	B04	B03	B02	B01	B00	XXXXXXXX _B
	(R/W)	(R/W)	(R/W)	(R/W)	(R/W)	(R/W)	(R/W)	(R/W)	

DMA data counter upper 8-bit (DDCTH)

bit	15	14	13	12	11	10	9	8	Initial Value
Address : 007927H	B15	B14	B13	B12	B11	B10	B09	B08	XXXXXXXX _B
	(R/W)	(R/W)	(R/W)	(R/W)	(R/W)	(R/W)	(R/W)	(R/W)	

Note : The above register is switched for each channel depending on the DCSR.

MB90330A Series

16. External bus pin control circuit

The external bus pin control circuit controls external bus pins to extend the CPU address and data buses to externals.

• Register list

- Automatic ready function selection register (ARSR)

bit	15	14	13	12	11	10	9	8	Initial Value
Address : 0000A5 _H	ICR1	ICR0	HMR1	HMR0	—	—	LMR1	LMR0	0011- - 00 _B
	(W)	(W)	(W)	(W)	(—)	(—)	(W)	(W)	

- External address output control register (HACR)

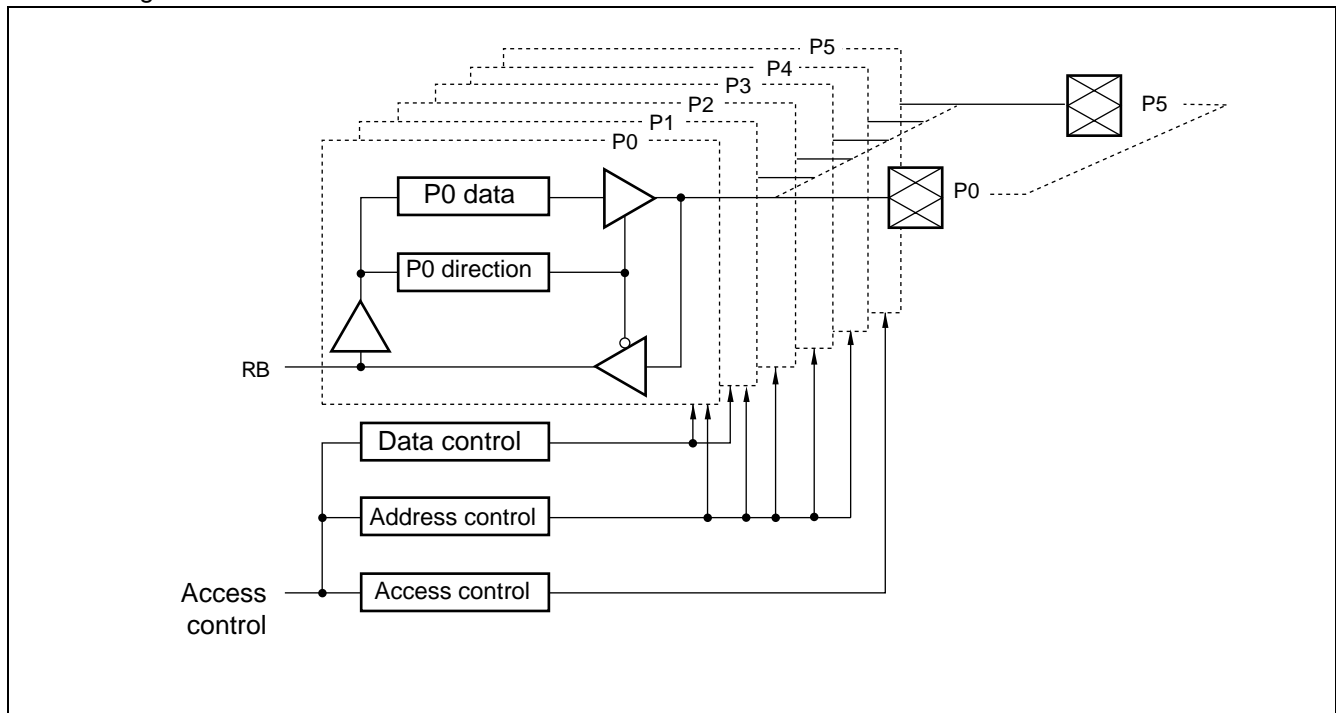
bit	7	6	5	4	3	2	1	0	Initial Value
Address : 0000A6 _H	E23	E22	E21	E20	E19	E18	E17	E16	* * * * * _B
	(W)	(W)	(W)	(W)	(W)	(W)	(W)	(W)	

- Bus control signal selection register (EPCR)

bit	15	14	13	12	11	10	9	8	Initial Value
Address : 0000A7 _H	CKE	RYE	HDE	Reserved	HMBS	(W)RE	LMBS	—	1000*10 _{-B}
	(W)	(W)	(W)	(W)	(W)	(W)	(W)	(—)	

W :Write only
 — :Unused
 * :“1” or “0”

• Block Diagram



17. Address matching detection function

When the address is equal to the value set in the address detection register, the instruction code to be read into the CPU is forcibly replaced with the INT9 instruction code (01H). As a result, the CPU executes the INT9 instruction when executing the set instruction. By performing processing by the INT#9 interrupt routine, the program patch function is enabled.

2 address detection registers are provided, for each of which there is an interrupt enable bit. When the address matches the value set in the address detection register with the interrupt enable bit set to 1, the instruction code to be read into the CPU is forcibly replaced with the INT9 instruction code.

• Register list

• Program address detect register 0 to 2 (PADR0)

PADR0 (lower)	bit	7	6	5	4	3	2	1	0	Initial Value
Address : 001FF0H										XXXXXXXX _B
		(R/W)	(R/W)	(R/W)	(R/W)	(R/W)	(R/W)	(R/W)	(R/W)	

PADR0 (middle)	bit	15	14	13	12	11	10	9	8	Initial Value
Address : 001FF1H										XXXXXXXX _B
		(R/W)	(R/W)	(R/W)	(R/W)	(R/W)	(R/W)	(R/W)	(R/W)	

PADR0 (upper)	bit	7	6	5	4	3	2	1	0	Initial Value
Address : 001FF2H										XXXXXXXX _B
		(R/W)	(R/W)	(R/W)	(R/W)	(R/W)	(R/W)	(R/W)	(R/W)	

• Program address detect register 3 to 5 (PADR1)

PADR1 (lower)	bit	15	14	13	12	11	10	9	8	Initial Value
Address : 001FF3H										XXXXXXXX _B
		(R/W)	(R/W)	(R/W)	(R/W)	(R/W)	(R/W)	(R/W)	(R/W)	

PADR1 (middle)	bit	7	6	5	4	3	2	1	0	Initial Value
Address : 001FF4H										XXXXXXXX _B
		(R/W)	(R/W)	(R/W)	(R/W)	(R/W)	(R/W)	(R/W)	(R/W)	

PADR1 (upper)	bit	15	14	13	12	11	10	9	8	Initial Value
Address : 001FF5H										XXXXXXXX _B
		(R/W)	(R/W)	(R/W)	(R/W)	(R/W)	(R/W)	(R/W)	(R/W)	

• Program address detection control status register (PACSR)

PACSR	bit	7	6	5	4	3	2	1	0	Initial Value
Address : 00009EH		Reserved	Reserved	Reserved	Reserved	ADIE	Reserved	ADDE	Reserved	0000000 _B
		(R/W)	(R/W)	(R/W)	(R/W)	(R/W)	(R/W)	(R/W)	(R/W)	

R/W : Readable and Writable
X : Undefined

MB90330A Series

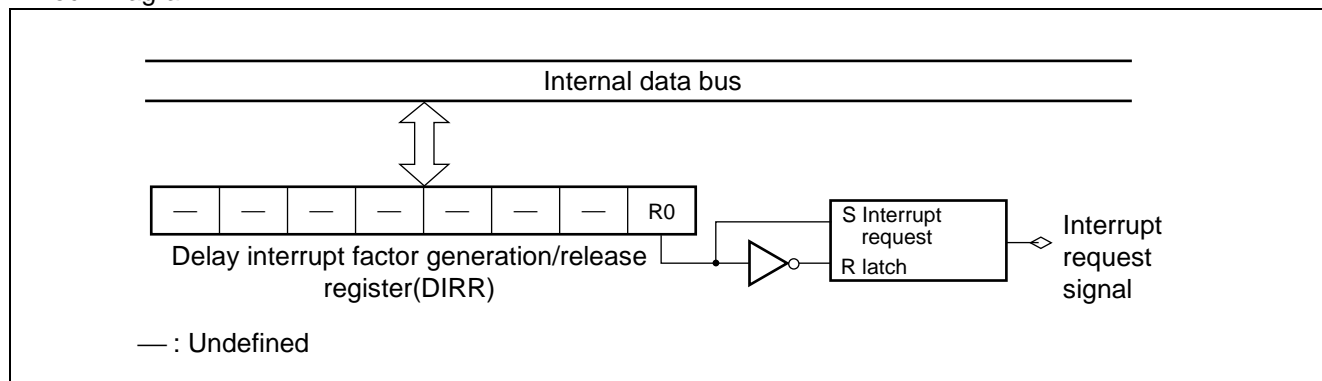
18. Delay interrupt generator module

The delay interrupt generation module is a module that generates interrupts for switching tasks. A hardware interrupt can be generated by software.

• Delay interrupt generator module function

	Function and control
Interrupt source	<ul style="list-style-type: none"> Setting the R0 bit in the delayed interrupt request generation/release register to 1 (DIRR: R0 = 1) generates a delayed interrupt request. Setting the R0 bit in the delayed interrupt request generation/release register to 0 (DIRR: R0 = 0) cancels the delayed interrupt request.
Interrupt control	No setting of permission register is provided.
Interrupt flag	Set in bit R0 of the delayed interrupt request generation /clear register (DIRR : R0)
EI ² OS support	Not ready for extended intelligent I/O service (EI ² OS).

• Block Diagram



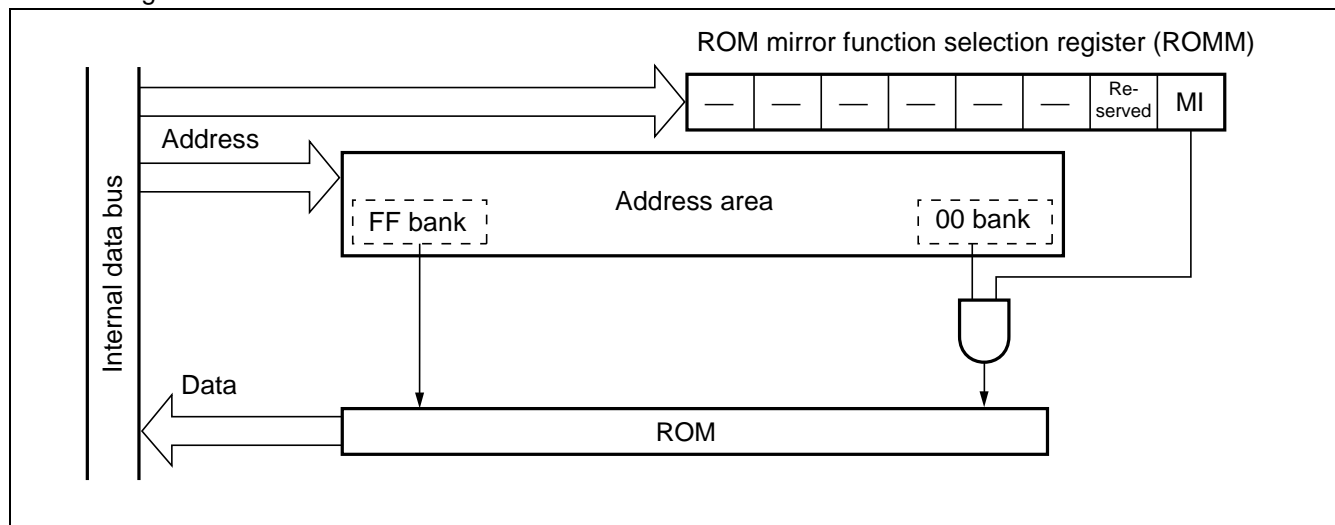
19. ROM mirror function selection module

The ROM mirror function select module can make a setting so that ROM data located in bank FF can be read by accessing bank 00.

- ROM mirroring function selection module function

	Description
Mirror setting address	FFFFFF _H to FF8000 _H in the FF bank can be read through 00FFFF _H to 008000 _H in the 00 bank.
Interrupt source	None.
EI ² OS support	Not ready for extended intelligent I/O service (EI ² OS) .

- Block Diagram



MB90330A Series

20. Low power consumption (standby) mode

The F²MC-16LX can be set to save power consumption by selecting and setting the low power consumption mode.

• CPU operation mode and functional description

CPU operating clock	Operation mode	Description
PLL clock	Normal run	The CPU and peripheral resources operate at the clock frequency obtained by PLL multiplication of oscillator clock (HCLK) frequency.
	Sleep	Only peripheral resources operate at the clock frequency obtained by PLL multiplication of the oscillator clock (HCLK) .
	Time-base timer	Only the time-base timer operates at the clock frequency obtained by PLL multiplication of the oscillator clock (HCLK) frequency.
	Stop	The CPU and peripheral resources are suspended with the oscillator clock stopped.
Main clock	Normal run	The CPU and peripheral resources operate at the clock frequency obtained by dividing the oscillator clock (HCLK) frequency by two.
	Sleep	Only peripheral resources operate at the clock frequency obtained by dividing the oscillator clock (HCLK) frequency by two.
	Time-base timer	Only the time-base timer operates at the clock frequency obtained by dividing the oscillator clock (HCLK) frequency by two.
	Stop	The CPU and peripheral resources are suspended with the oscillator clock stopped.
Sub clock	Normal run	The CPU and peripheral resources operate at the clock frequency obtained by dividing the sub clock (SCLK) frequency by four.
	Sleep	Only peripheral resources operate at the clock frequency obtained by dividing the sub clock (SCLK) frequency by four.
	Watch mode	Only the watch timer operates at the clock frequency obtained by dividing the sub clock (SCLK) frequency by four.
	Stop	The CPU and peripheral resources are suspended with the sub clock stopped.
CPU intermittent operation mode	Normal run	The halved or PLL-multiplied oscillator clock (HCLK) frequency or the sub clock (SCLK) frequency is used for operation while being decimated in a certain period.

• Register list

Low power consumption mode control register (LPMCR)								Initial Value	
Address : 0000A0 _H	7	6	5	4	3	2	1	0	00011000 _B
	STP	SLP	SPL	RST	TMD	CG1	CG0	Reserved	
	(W)	(W)	(R/W)	(W)	(R/W)	(R/W)	(R/W)	(R/W)	

21. Clock

The clock generator controls the internal clock as the operating clock for the CPU and peripheral resources. The internal clock is referred to as machine clock whose one cycle is defined as machine cycle. The clock based on source oscillation is referred to as oscillator clock while the clock based on internal PLL oscillation is referred to as PLL clock.

- Register list

Clock selection register (CKSCR)								Initial Value	
bit	15	14	13	12	11	10	9	8	
Address : 0000A1 _H	SCM	MCM	WS1	WS0	SCS	MCS	CS1	CS0	11111100 _B
	(R)	(R)	(R/W)	(R/W)	(R/W)	(R/W)	(R/W)	(R/W)	

MB90330A Series

22. 3 Mbits flash memory

The description that follows applies to the flash memory built in the MB90F334A; it is not applicable to evaluation ROM or MASK ROM.

The flash memory is located in bank FF in the CPU memory map.

• Function to flash memory

	Description
Memory capacity	3072 Kbits (384 Kbytes)
Memory configuration	384 Kwords × 8 bits/192 Kwords × 16 bits
Sector configuration	64 Kbytes × 5 + 32 Kbytes + 8 Kbytes × 2 + 16 Kbytes
Sector protect function	Possibility that set up with a recommendation parallel writer
Program algorithm	Automatic program algorithm (Embedded Algorithm : Similar to MBM29LV400TC)
Operation command	<ul style="list-style-type: none">• Compatibility with the JEDEC standard-type command• Built-in deletion pause/deletion resume function• Detection of programming/erasure completion using data polling and the toggle bit• Capable of erasing data sector by sector (in arbitrary combination of sectors)
Program/Erase cycle	At least 10000 times guaranteed
How to program and erase memory	<ul style="list-style-type: none">• Parallel programmer available for programming and erasure (Flash Support Group, Inc. : AF9708, AF9709, AF9709B)• Can be written and erased using a dedicated serial writer (Yokogawa Digital Computer Corporation : AF220/AF210/AF120/AF110)• Write/delete operation by program execution
Interrupt source	Programming/erasure completion sources
EI ² OS supports	Not ready for expanded intelligent I/O service (EI ² OS).

• Sector configuration of flash memory

Flash Memory	CPU address	Writer address *
Prohibited	F80000H	00000H
	F8FFFFH	0FFFFH
SA0 (64 Kbytes)	F90000H	10000H
	F9FFFFH	1FFFFH
SA1 (64 Kbytes)	FA0000H	20000H
	FAFFFFH	2FFFFH
SA2 (64 Kbytes)	FB0000H	30000H
	FBFFFFH	3FFFFH
Prohibited	FC0000H	40000H
	FCFFFFH	4FFFFH
SA3 (64 Kbytes)	FD0000H	50000H
	FDFFFFH	5FFFFH
SA4 (64 Kbytes)	FE0000H	60000H
	FEFFFFH	6FFFFH
SA5 (32 Kbytes)	FF0000H	70000H
	FF7FFFH	77FFFH
SA6 (8 Kbytes)	FF8000H	78000H
	FF9FFFH	79FFFH
SA7 (8 Kbytes)	FFA000H	7A000H
	FFBFFFH	7BFFFH
SA8 (16 Kbytes)	FFC000H	7C000H
	FFFFFHH	7FFFFH

* : The writer address is relative to the CPU address when data is programmed into flash memory by a parallel programmer. Programming and erasing by the general-purpose parallel programmer are executed based on writer addresses.

• Register list

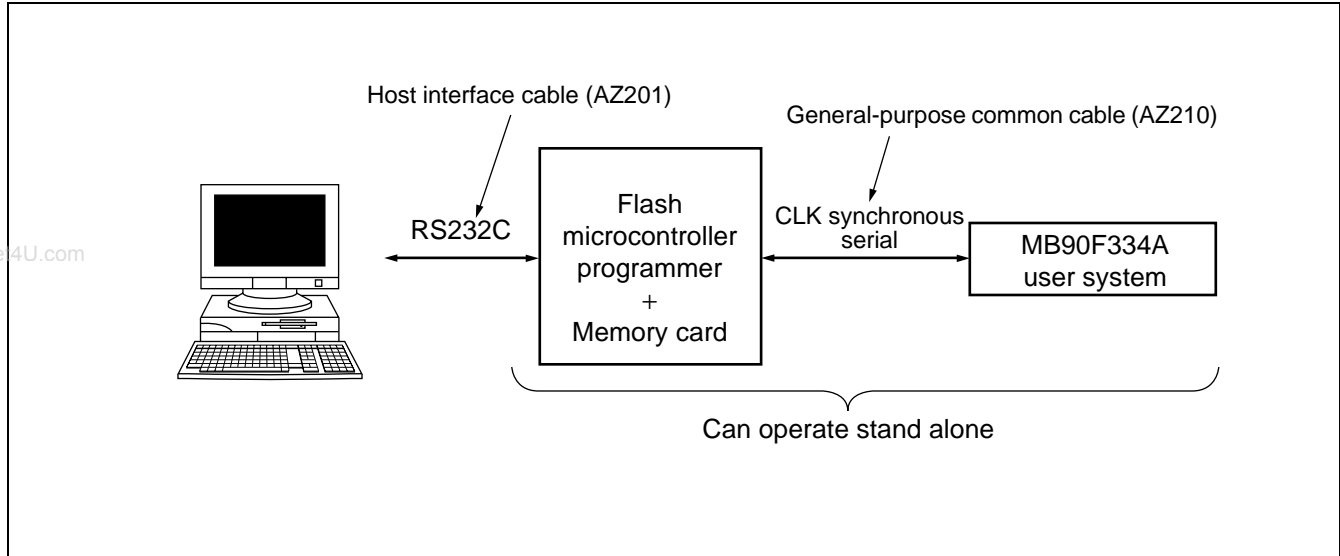
Flash memory control status register (FMCS)

Address : 0000AE _H	bit 7	6	5	4	3	2	1	0	Initial Value 000X0000 _B
	INTE	RDYINT	WE	RDY	Reserved	LPM1	Reserved	LPM0	
	(R/W)	(R/W)	(R/W)	(R)	(W)	(R/W)	(W)	(R/W)	

MB90330A Series

- Standard configuration for Fujitsu Microelectronics standard serial on-board writing

The flash microcontroller programmer (AF220/AF210/AF120/AF110) made by Yokogawa Digital Computer Corporation is used for Fujitsu Microelectronics standard serial on-board writing.



Note : Inquire of Yokogawa Digital Computer Corporation for details about the functions and operations of the AF220, AF210, AF120 and AF110 flash microcontroller programmer, general-purpose common cable for connection (AZ210) and connectors.

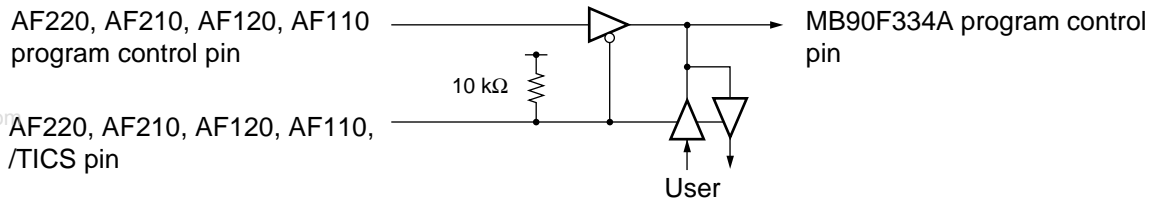
- Pins Used for Fujitsu Microelectronics Standard Serial On-board Programming

Pin	Function	Description
MD2, MD1, MD0	Mode input pins	The device enters the serial program mode by setting MD2=1, MD1=1 and MD0 =0.
X0, X1	Oscillation pins	Because the internal CPU operation clock is set to be the 1 multiplication PLL clock in the serial write mode, the internal operation clock frequency is the same as the oscillation clock frequency.
P60, P61	Programming program start pins	Input a Low level to P60 and a High level to P61.
\overline{RST}	Reset input pin	—
SIN0	Serial data input pins.	UART0 is used as CLK synchronous mode.
SOT0	Serial data output pin	In program mode, the pins used for the UART0 CLK synchronous mode are SIN0, SOT0 and SCK0.
SCK0	Serial clock input pin	
V _{cc}	Power source input pin	When supplying the write voltage (MB90F334A : 3.3 V \pm 0.3 V) from the user system, connection with the flash microcontroller programmer is not necessary. When connecting, do not short-circuit with the user power supply.
V _{ss}	GND Pin	Share GND with the flash microcontroller programmer.

MB90330A Series

The control circuit shown in the figure is required for using the P60, P61, SIN0, SOT0 and SCK0 pins on the user system. Isolate the user circuit during serial on-board writing, with the /TICS signal of the flash microcontroller programmer.

• Control circuit



The MB90F334A serial clock frequency that can be input is determined by the following expression:
Use the flash microcontroller programmer to change the serial clock input frequency setting depending on the oscillator clock frequency to be used.

$$\text{Inputable serial clock frequency} = 0.125 \times \text{oscillation clock frequency.}$$

• Maximum serial clock frequency

Oscillation clock frequency	Maximum serial clock frequency acceptable to the flash microcontroller	Maximum serial clock frequency that can be set with the AF220, AF210, AF120 or AF110	Maximum serial clock frequency that can be set with the AF200
At 6 MHz	750 kHz	500 kHz	500 kHz

• System configuration of the flash microcontroller programmer (AF220/AF210/AF120/AF110) (made by Yokogawa Digital Computer Corporation)

Part number	Function
Unit	AF220/AC4P Model with internal Ethernet interface /100 V to 220 V power adapter
	AF210/AC4P Standard model /100 V to 220 V power adapter
	AF120/AC4P Single key internal Ethernet interface mode /100 V to 220 V power adapter
	AF110/AC4P Single key model /100 V to 220 V power adapter
AZ221	PC/AT RS232C cable for writer
AZ210	Standard target probe (a) length : 1 m
FF201	Control module for Fujitsu Microelectronics F ² MC-16LX flash microcontroller control module
AZ290	Remote controller
/P4	4 Mbytes PC Card (option) Flash memory capacity to 512 Kbytes correspondence

Contact to : Yokogawa Digital Computer Corporation TEL : 81-423-33-6224

Note : The AF200 flash microcontroller programmer is a retired product, but it can be supported using control module FF201.

MB90330A Series

■ ELECTRICAL CHARACTERISTICS

1. Absolute Maximum Ratings

Parameter	Symbol	Rating		Unit	Remarks
		Min	Max		
Power supply voltage*1	V _{CC}	V _{SS} – 0.3	V _{SS} + 4.0	V	
	AV _{CC}	V _{SS} – 0.3	V _{SS} + 4.0	V	V _{CC} ≥ AV _{CC} *2
	AVRH	V _{SS} – 0.3	V _{SS} + 4.0	V	AV _{CC} ≥ AVR ≥ 0 V*3
Input voltage*1	V _I	V _{SS} – 0.3	V _{SS} + 4.0	V	*4
		V _{SS} – 0.3	V _{SS} + 6.0	V	N-ch open-drain (Withstand voltage of 5 V I/O)*5
		– 0.5	V _{SS} + 4.5	V	USB I/O
Output voltage*1	V _O	V _{SS} – 0.3	V _{SS} + 4.0	V	*4
		– 0.5	V _{SS} + 4.5	V	USB I/O
Maximum clamp current	I _{CLAMP}	– 2.0	+2.0	mA	*6
Total maximum clamp current	Σ I _{CLAMP}	—	20	mA	*6
“L” level maximum output current	I _{OL1}	—	10	mA	Other than USB I/O*7
	I _{OL2}	—	43	mA	USB I/O*7
“L” level average output current	I _{OLAV1}	—	4	mA	*8
	I _{OLAV2}	—	15/4.5	mA	USB-I/O (Full speed/ Low speed) *8
“L” level maximum total output current	ΣI _{OL}	—	100	mA	
“L” level average total output current	ΣI _{OLAV}	—	50	mA	*9
“H” level maximum output current	I _{OH1}	—	– 10	mA	Other than USB I/O*7
	I _{OH2}	—	– 43	mA	USB I/O*7
“H” level average output current	I _{OHAV1}	—	– 4	mA	*8
	I _{OHAV2}	—	–15/–4.5	mA	USB-I/O (Full speed/ Low speed) *8
“H” level maximum total output current	ΣI _{OH}	—	– 100	mA	
“H” level average total output current	ΣI _{OHAV}	—	– 50	mA	*9
Power consumption	P _d	—	340	mW	
Operating temperature	T _A	– 40	+ 85	°C	
Storage temperature	T _{stg}	– 55	+ 150	°C	
		– 55	+ 125	°C	USB I/O

*1 : The parameter is based on V_{SS} = AV_{SS} = 0.0 V.

*2 : Be careful not to let AV_{CC} exceed V_{CC}, for example, when the power is turned on.

*3 : Be careful not to let AVRH exceed AV_{CC}.

*4 : V_I and V_O must not exceed V_{CC} + 0.3 V. However, if the maximum current to/from an input is limited by some means with external components, the I_{CLAMP} rating supersedes the V_I rating.

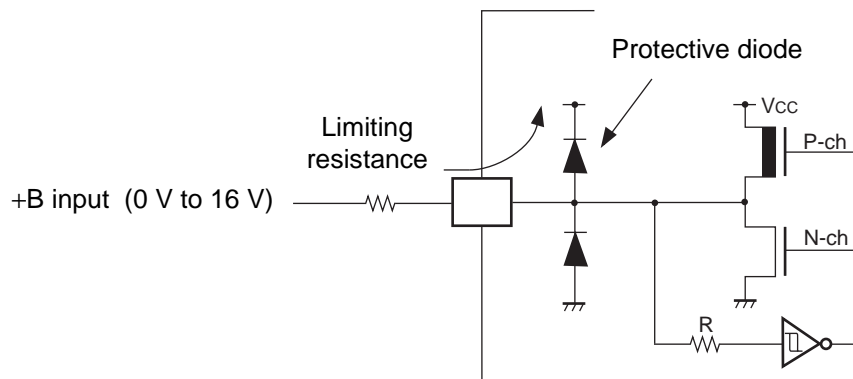
*5 : Applicable to pins : P60 to P67, P96, PA0 to PA7, PB0 to PB4, UTEST

(Continued)

(Continued)

- *6 :
- Applicable to pins: P00 to P07, P10 to P17, P20 to P27, P30 to P37, P40 to P47, P50 to P57, P70 to P77, P80 to P87, P90 to P95, PB5, PB6
 - Use within recommended operating conditions.
 - Use at DC voltage (current)
 - The +B signal should always be applied a limiting resistance placed between the +B signal and the microcontroller.
 - The value of the limiting resistance should be set so that when the +B signal is applied the input current to the microcontroller pin does not exceed rated values, either instantaneously or for prolonged periods.
 - Note that when the microcontroller drive current is low, such as in the power saving modes, the +B input potential may pass through the protective diode and increase the potential at the V_{cc} pin, and this may affect other devices.
 - Note that if a +B signal is input when the microcontroller power supply is off (not fixed at 0 V) , the power supply is provided from the pins, so that incomplete operation may result.
 - Note that if the +B input is applied during power-on, the power supply is provided from the pins and the resulting supply voltage may not be sufficient to operate the power-on reset.
 - Care must be taken not to leave the +B input pin open.
 - Note that analog system input/output pins other than P60 to P67, P96, PA0 to PA7, PB0 to PB4, DVP, DVM, HVP, HVM, UTEST, $\overline{\text{HCON}}$
 - Sample recommended circuits:

- Input/output equivalent circuits



- *7 : A peak value of an applicable one pin is specified as a maximum output current.
- *8 : The average output current specifies the mean value of the current flowing in the relevant single pin during a period of 100 ms.
- *9 : The average total output current specifies the mean value of the currents flowing in all of the relevant pins during a period of 100 ms.

WARNING: Semiconductor devices can be permanently damaged by application of stress (voltage, current, temperature, etc.) in excess of absolute maximum ratings. Do not exceed these ratings.

MB90330A Series

2. Recommended Operating Conditions

($V_{SS} = AV_{SS} = 0.0\text{ V}$)

Parameter	Symbol	Value		Unit	Remarks
		Min	Max		
Power supply voltage	V_{CC}	3.0	3.6	V	At normal operation (when using USB)
		2.7	3.6	V	At normal operation (when not using USB)
		1.8	3.6	V	Hold state of stop operation
Input "H" voltage	V_{IH}	$0.7 V_{CC}$	$V_{CC} + 0.3$	V	CMOS input pin
	V_{IHS1}	$0.8 V_{CC}$	$V_{CC} + 0.3$	V	CMOS hysteresis input pin
	V_{IHS2}	$0.8 V_{CC}$	$V_{SS} + 5.3$	V	N-ch open-drain (Withstand voltage of 5 V I/O)*
	V_{IHM}	$V_{CC} - 0.3$	$V_{CC} + 0.3$	V	MD pin input
	V_{IHUSB}	2.0	$V_{CC} + 0.3$	V	USB pin input
Input "L" voltage	V_{IL}	$V_{SS} - 0.3$	$0.3 V_{CC}$	V	CMOS input pin
	V_{ILS}	$V_{SS} - 0.3$	$0.2 V_{CC}$	V	CMOS hysteresis input pin
	V_{ILM}	$V_{SS} - 0.3$	$V_{SS} + 0.3$	V	MD pin input
	V_{ILUSB}	V_{SS}	0.8	V	USB pin input
Differential input sensitivity	V_{DI}	0.2	—	V	USB pin input
Differential common mode input voltage range	V_{CM}	0.8	2.5	V	USB pin input
Operating temperature	T_A	- 40	+ 85	°C	When not using USB
		0	+ 70	°C	When using USB

* : Applicable to pins : P60 to P67, P96, PA0 to PA7, PB0 to PB4, UTEST

WARNING: The recommended operating conditions are required in order to ensure the normal operation of the semiconductor device. All of the device's electrical characteristics are warranted when the device is operated within these ranges.

Always use semiconductor devices within their recommended operating condition ranges. Operation outside these ranges may adversely affect reliability and could result in device failure.

No warranty is made with respect to uses, operating conditions, or combinations not represented on the data sheet. Users considering application outside the listed conditions are advised to contact their representatives beforehand.

MB90330A Series

3. DC Characteristics

($V_{CC} = AV_{CC} = 3.3 \text{ V} \pm 0.3 \text{ V}$, $V_{SS} = AV_{SS} = 0.0 \text{ V}$, $T_A = -40 \text{ }^\circ\text{C}$ to $+85 \text{ }^\circ\text{C}$)

Parameter	Symbol	Pin name	Conditions	Value			Unit	Remarks
				Min	Typ	Max		
Output "H" voltage	V_{OH}	Output pins other than P60 to P67, P96, PA0 to PA7, PB0 to PB4, HVP, HVM, DVP, DVM	$I_{OH} = -4.0 \text{ mA}$	$V_{CC} - 0.5$	—	V_{CC}	V	
		HVP, HVM, DVP, DVM	$R_L = 15 \text{ k}\Omega \pm 5\%$	2.8	—	3.6	V	
Output "L" voltage	V_{OL}	Output pins other than HVP, HVM, DVP, DVM	$I_{OL} = 4.0 \text{ mA}$	V_{SS}	—	$V_{SS} + 0.4$	V	
		HVP, HVM, DVP, DVM	$R_L = 1.5 \text{ k}\Omega \pm 5\%$	0	—	0.3	V	
Input leak current	I_{IL}	Output pins other than P60 to P67, P96, PA0 to PA7, PB0 to PB4, HVP, HVM, DVP, DVM	$V_{CC} = 3.3 \text{ V}$, $V_{SS} < V_I < V_{CC}$	-10	—	+10	μA	
		HVP, HVM, DVP, DVM	—	-5	—	+5	μA	
Pull-up resistance	R_{PULL}	P00 to P07, P10 to P17	$V_{CC} = 3.3 \text{ V}$, $T_A = +25 \text{ }^\circ\text{C}$	25	50	100	$\text{k}\Omega$	
Open drain output current	I_{LIOD}	P60 to P67, P96, PA0 to PA7, PB0 to PB4	—	—	0.1	10	μA	
Power supply current	I_{CC}	V_{CC}	$V_{CC} = 3.3 \text{ V}$, Internal frequency 24 MHz, At normal operating	—	75	85	mA	MB90F334A
			At USB operating (USTP = 0)	—	65	75	mA	MB90333A
			$V_{CC} = 3.3 \text{ V}$, Internal frequency 24 MHz, At normal operating	—	70	80	mA	MB90F334A
			At non-operating USB (USTP = 1)	—	60	70	mA	MB90333A
	I_{CCS}	V_{CC}	$V_{CC} = 3.3 \text{ V}$, Internal frequency 24 MHz, At sleep mode	—	27	40	mA	
	I_{CTS}	V_{CC}	$V_{CC} = 3.3 \text{ V}$, Internal frequency 24 MHz, At timer mode	—	3.5	10	mA	
		V_{CC}	$V_{CC} = 3.3 \text{ V}$, Internal frequency 3 MHz, At timer mode	—	1	2	mA	
I_{CCL}	V_{CC}	$V_{CC} = 3.3 \text{ V}$, Internal frequency 8 kHz, At sub clock operation, ($T_A = +25 \text{ }^\circ\text{C}$)	—	25	150	μA		

(Continued)

MB90330A Series

(Continued)

($V_{CC} = AV_{CC} = 3.3 \text{ V} \pm 0.3 \text{ V}$, $V_{SS} = AV_{SS} = 0.0 \text{ V}$, $T_A = -40 \text{ }^\circ\text{C}$ to $+85 \text{ }^\circ\text{C}$)

Parameter	Symbol	Pin name	Conditions	Value			Unit	Remarks
				Min	Typ	Max		
Power supply current	I_{CCL}	V_{CC}	$V_{CC} = 3.3 \text{ V}$, Internal frequency 8 kHz, At sub clock, At sleep operating, ($T_A = +25 \text{ }^\circ\text{C}$)	—	10	50	μA	
	I_{CCT}		$V_{CC} = 3.3 \text{ V}$, Internal frequency 8 kHz, Watch mode, ($T_A = +25 \text{ }^\circ\text{C}$)	—	1.5	40	μA	
	I_{CCH}		$T_A = +25 \text{ }^\circ\text{C}$, At stop	—	1	40	μA	
Input capacitance	C_{IN}	Other than AV_{CC} , AV_{SS} , V_{CC} , V_{SS}	—	—	5	15	pF	
Pull-up resistor	R_{up}	\overline{RST}	—	25	50	100	k Ω	
USB I/O output impedance	Z_{USB}	DVP, DVM HVP, HVM	—	3	—	14	Ω	

Note : P60 to P67, P96, PA0 to PA7, and PB0 to PB4 are N-ch open-drain pins usually used as CMOS.

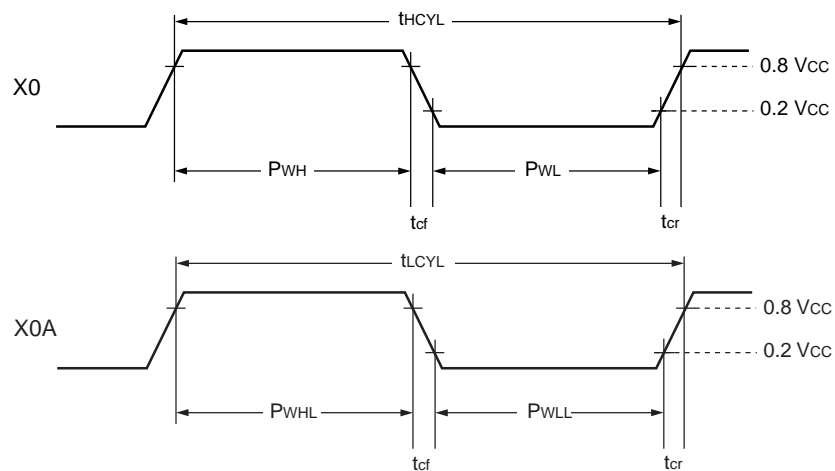
4. AC Characteristics

(1) Clock input timing

($V_{CC} = AV_{CC} = 3.3 \text{ V} \pm 0.3 \text{ V}$, $V_{SS} = AV_{SS} = 0.0 \text{ V}$, $T_A = -40 \text{ }^\circ\text{C}$ to $+85 \text{ }^\circ\text{C}$)

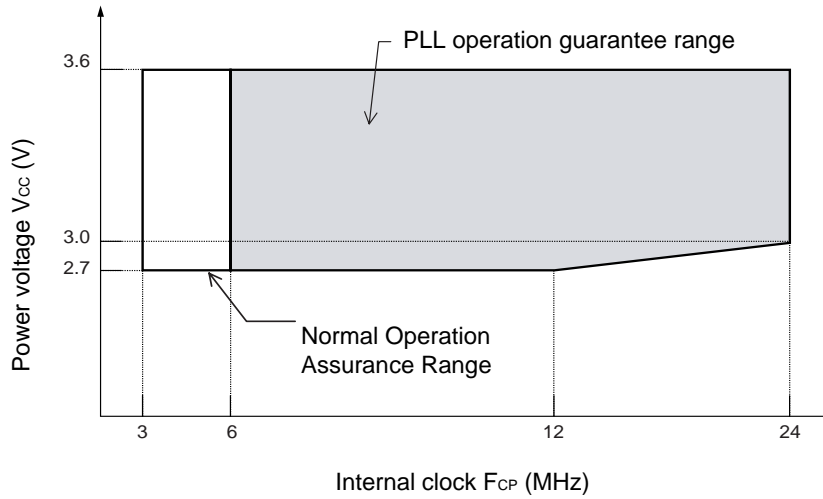
Parameter	Symbol	Pin name	Value			Unit	Remarks
			Min	Typ	Max		
Clock frequency	f_{CH}	X0, X1	—	6	—	MHz	When oscillator is used
			6	—	24	MHz	External clock input
	f_{CL}	X0A, X1A	—	32.768	—	kHz	
Clock cycle time	t_{HCYL}	X0, X1	—	166.7	—	ns	When oscillator is used
			166.7	—	41.7	ns	External clock input
	t_{LCYL}	X0A, X1A	—	30.5	—	s	
Input clock pulse width	P_{WH} P_{WL}	X0	10	—	—	ns	A reference duty ratio is 30% to 70%.
	P_{WHL} P_{WLL}	X0A	—	15.2	—	s	
Input clock rise time and fall time	t_{cr} t_{cf}	X0	—	—	5	ns	At external clock
Internal operating clock frequency	f_{CP}	—	3	—	24	MHz	When main clock is used
	f_{CPL}	—	—	8.192	—	kHz	When sub clock is used
Internal operating clock cycle time	t_{CP}	—	42	—	333	ns	When main clock is used
	t_{CPL}	—	—	122.1	—	s	When sub clock is used

• Clock Timing



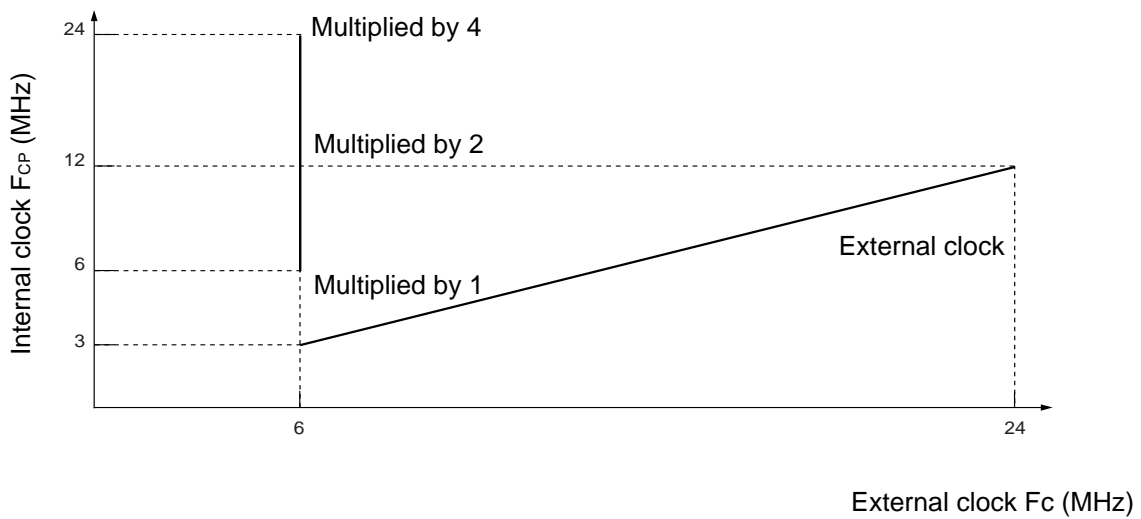
- PLL operation guarantee range

Relation between power supply voltage and internal operation clock frequency



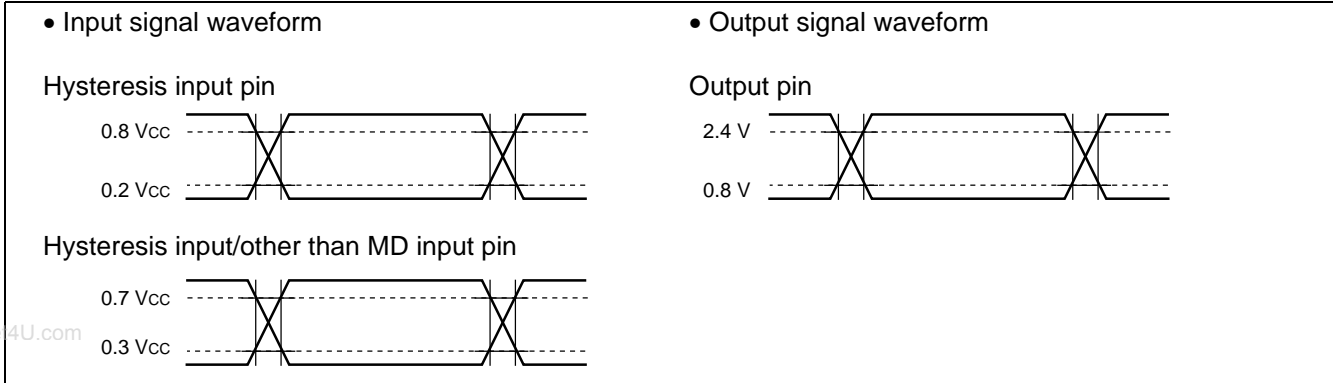
Note : When the USB is used, operation is guaranteed at voltages between 3.0 V and 3.6 V.

Relation between internal operation clock frequency and external clock frequency



MB90330A Series

The AC standards assume the following measurement reference voltages.



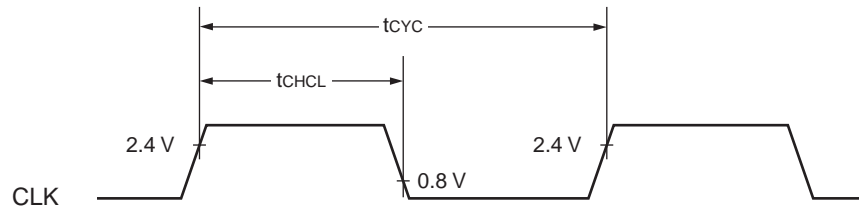
MB90330A Series

(2) Clock output timing

($V_{SS} = AV_{SS} = 0.0\text{ V}$, $T_A = -40\text{ }^\circ\text{C}$ to $+85\text{ }^\circ\text{C}$)

Parameter	Symbol	Pin name	Conditions	Value		Unit	Remarks
				Min	Max		
Cycle time	t_{CYC}	CLK	—	t_{CP}	—	ns	
CLK \uparrow →CLK \downarrow	t_{CHCL}	CLK	$V_{CC} = 3.0\text{ V}$ to 3.6 V	$t_{CP}/2 - 15$	$t_{CP}/2 + 15$	ns	At $f_{cp} = 24\text{ MHz}$
				$t_{CP}/2 - 20$	$t_{CP}/2 + 20$	ns	At $f_{cp} = 12\text{ MHz}$
				$t_{CP}/2 - 64$	$t_{CP}/2 + 64$	ns	At $f_{cp} = 6\text{ MHz}$

Note : t_{CP} : Refer to “(1) Clock input timing”.



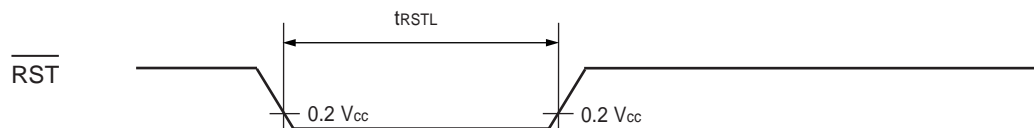
(3) Reset

($V_{CC} = AV_{CC} = 3.3 \text{ V} \pm 0.3 \text{ V}$, $V_{SS} = AV_{SS} = 0.0 \text{ V}$, $T_A = -40 \text{ }^\circ\text{C}$ to $+85 \text{ }^\circ\text{C}$)

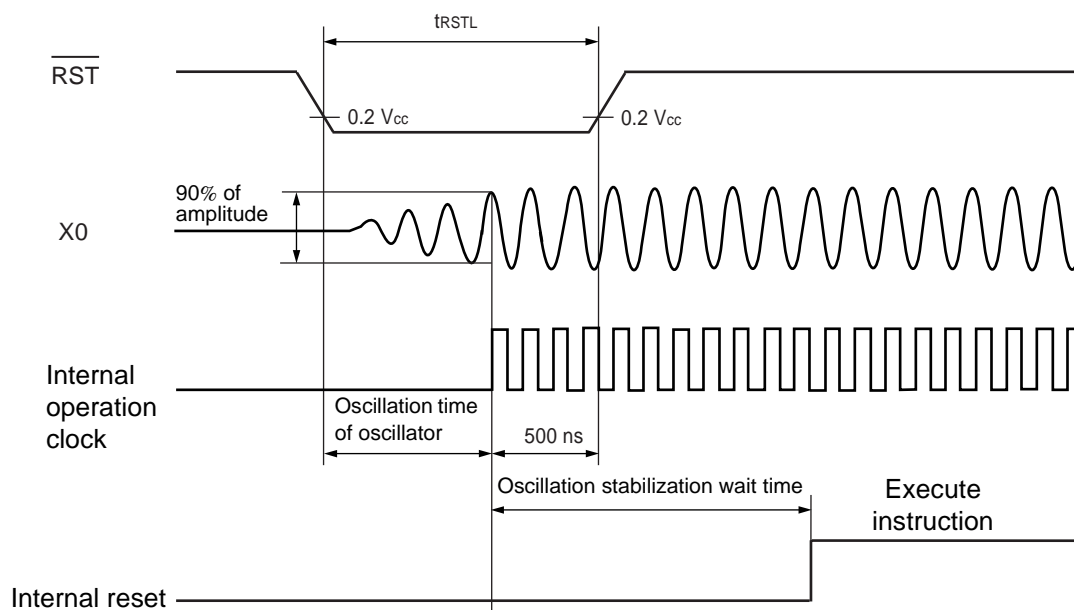
Parameter	Symbol	Pin name	Conditions	Value		Unit	Remarks
				Min	Max		
Reset input time	t_{RSTL}	\overline{RST}	—	500	—	ns	At normal operating, At time base timer mode, At main sleep mode, At PLL sleep mode
				Oscillation time of oscillator* + 500 ns	—	μs	At stop mode, At sub clock mode, At sub sleep mode, At watch mode

* : Oscillation time of oscillator is the time that the amplitude reaches 90%. It takes several milliseconds to several dozens of milliseconds on a crystal oscillator, several hundreds of microseconds to several milliseconds on a ceramic oscillator, and 0 milliseconds on an external clock.

- During normal operation, time-base timer mode, main sleep mode and PLL sleep mode



- During stop mode, sub clock mode, sub-sleep mode and watch mode



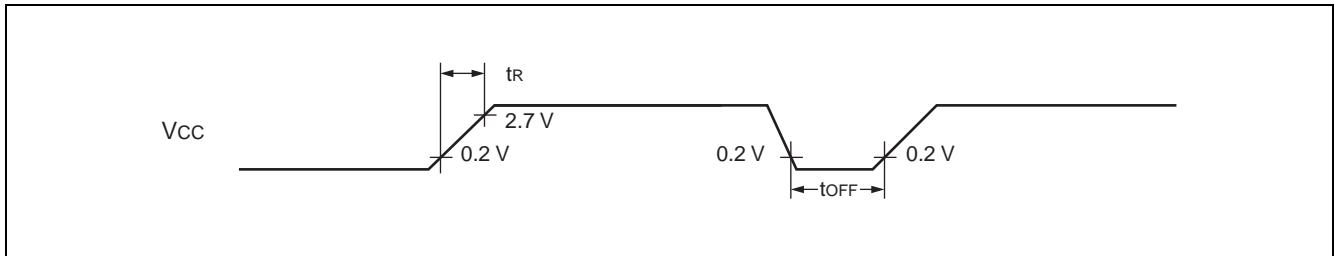
MB90330A Series

(4) Power-on reset

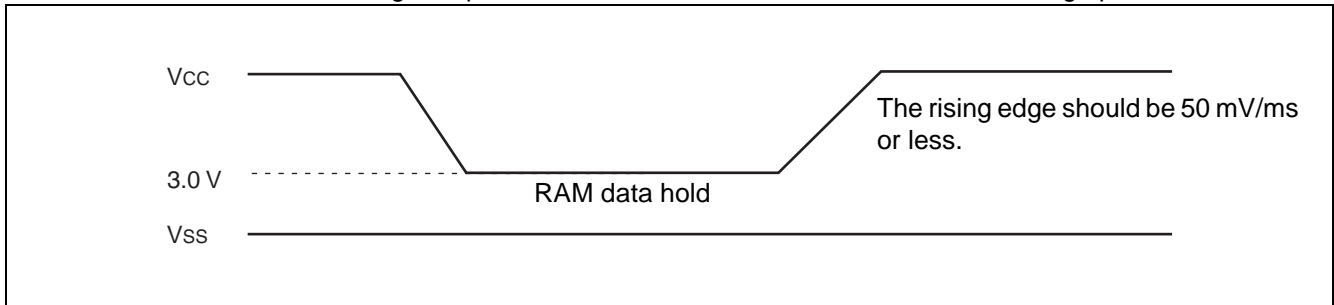
($V_{CC} = AV_{CC} = 3.3 \text{ V} \pm 0.3 \text{ V}$, $V_{SS} = AV_{SS} = 0.0 \text{ V}$, $T_A = -40 \text{ }^\circ\text{C}$ to $+85 \text{ }^\circ\text{C}$)

Parameter	Symbol	Pin name	Conditions	Value		Unit	Remarks
				Min	Max		
Power supply rising time	t_R	V_{CC}	—	0.05	30	ms	
Power supply shutdown time	t_{OFF}	V_{CC}	—	1	—	ms	Waiting time until power-on

www.DataSheet4U.com



- Notes :
- V_{CC} must be lower than 0.2 V before the power supply is turned on.
 - The above standard is a value for performing a power-on reset.
 - In the device, there are internal registers which is initialized only by a power-on reset. When the initialization of these items is expected, turn on the power supply according to the standards.
 - Sudden change of power supply voltage may activate the power-on reset function. When changing the power supply voltage during operation as illustrated below, voltage fluctuation should be minimized so that the voltage rises as smoothly as possible. When raising the power, do not use PLL clock. However, if voltage drop is 1 V/s or less, use of PLL clock is allowed during operation.



MB90330A Series

(5) UART0, UART1, UART2, UART3 I/O extended serial timing

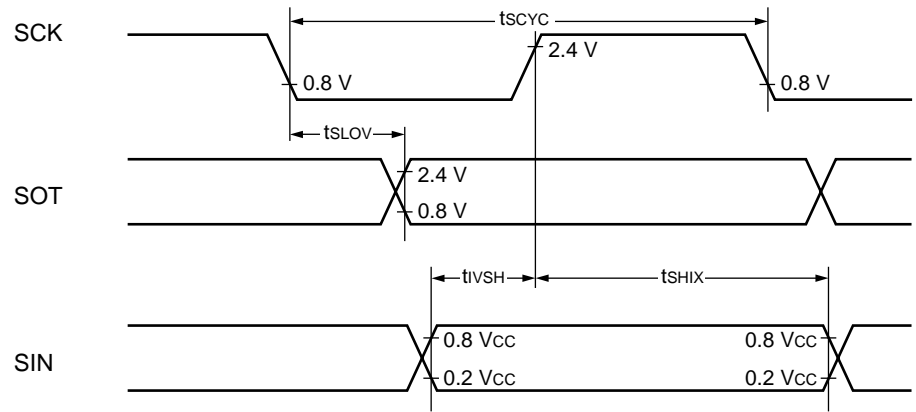
($V_{CC} = AV_{CC} = 3.3\text{ V} \pm 0.3\text{ V}$, $V_{SS} = AV_{SS} = 0.0\text{ V}$, $T_A = -40\text{ }^\circ\text{C}$ to $+85\text{ }^\circ\text{C}$)

Parameter	Symbol	Pin name	Conditions	Value		Unit
				Min	Max	
Serial clock cycle time	t_{SCYC}	SCKx	Internal shift clock mode output pin is : $C_L = 80\text{ pF} + 1\text{ TTL}$	$8\ t_{CP}$	—	ns
SCK↓→SOT delay time	t_{SLOV}	SCKx, SOTx		- 80	+ 80	ns
Valid SIN→SCK↑	t_{IVSH}	SCKx, SINx		100	—	ns
SCK↑→valid SIN hold time	t_{SHIX}	SCKx, SINx		60	—	ns
Serial clock H pulse width	t_{SHSL}	SCKx, SINx	External shift clock mode output pin is : $C_L = 80\text{ pF} + 1\text{ TTL}$	$4\ t_{CP}$	—	ns
Serial clock L pulse width	t_{LSLH}	SCKx, SINx		$4\ t_{CP}$	—	ns
SCK↓→SOT delay time	t_{SLOV}	SCKx, SOTx		—	150	ns
Valid SIN→SCK↑	t_{IVSH}	SCKx, SINx		60	—	ns
SCK↑→valid SIN hold time	t_{SHIX}	SCKx, SINx		60	—	ns

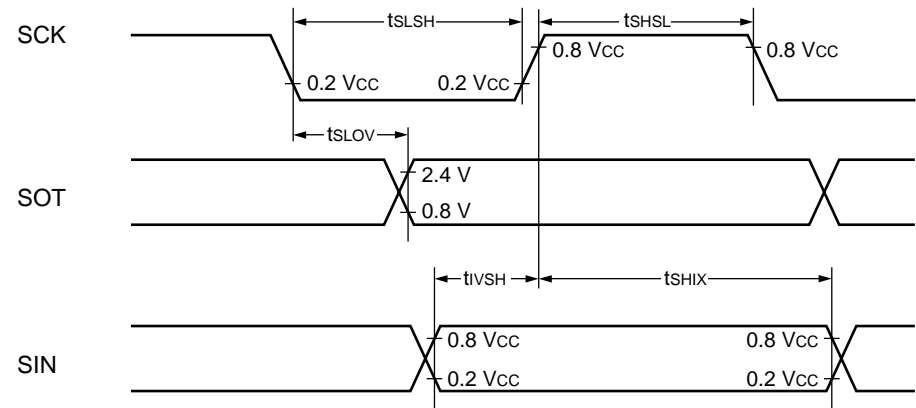
- Notes :
- Above rating is the case of CLK synchronous mode.
 - C_L is a load capacitance value on pins for testing.
 - t_{CP} : Refer to “ (1) Clock input timing”.

MB90330A Series

- Internal shift clock mode



- External shift clock mode



MB90330A Series

(6) I²C timing

(V_{CC} = AV_{CC} = 3.3 V ± 0.3 V, V_{SS} = AV_{SS} = 0.0 V, T_A = - 40 °C to + 85 °C)

Parameter	Symbol	Conditions	Value		Unit
			Min	Max	
SCL clock frequency	f _{SCL}		0	100	kHz
(Repeat) [start] condition hold time SDA ↓ → SCL ↓	t _{HDSTA}	Power-supply voltage of external pull-up resistor at 5.0 V.	4.0	—	μs
SCL clock "L" width	t _{LOW}	R = 1.2 kΩ, C = 50 pF*2	4.7	—	μs
SCL clock "H" width	t _{HIGH}	Power-supply voltage of external pull-up resistor at 3.6 V.	4.0	—	μs
Repeat [start] condition setup time SCL ↑ → SDA ↓	t _{SUSTA}	R = 1.0 kΩ, C = 50 pF*2	4.7	—	μs
Data hold time SCL ↓ → SDA ↓ ↑	t _{HDDAT}		0	3.45*3	μs
Data setup time SDA ↓ ↑ → SCL ↑	t _{SUDAT}	Power-supply voltage of external pull-up resistor at 5.0 V. f _{CP} *1 ≤ 20 MHz, R = 1.2 kΩ, C = 50 pF*2	250*4	—	ns
		Power-supply voltage of external pull-up resistor at 3.6 V. f _{CP} *1 ≤ 20 MHz, R = 1.0 kΩ, C = 50 pF*2			
[Stop] condition setup time SCL ↑ → SDA ↑	t _{SUSTO}	Power-supply voltage of external pull-up resistor at 5.0 V.	4.0	—	μs
		R = 1.2 kΩ, C = 50 pF*2			
Bus free time between [stop] condition and [start] condition	t _{BUS}	Power-supply voltage of external pull-up resistor at 3.6 V.	4.7	—	μs
		R = 1.0 kΩ, C = 50 pF*2			

*1 : f_{CP} is internal operating clock frequency. Refer to "(1) Clock input timing".

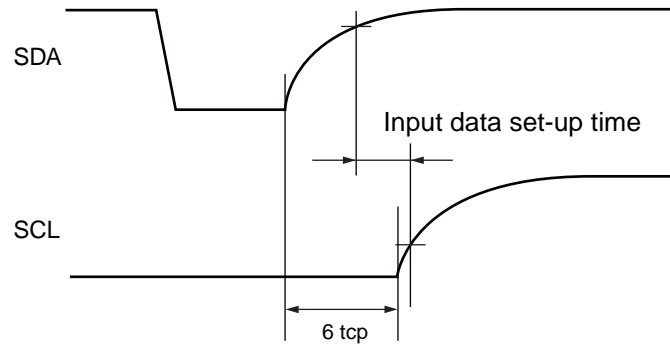
*2 : R and C are pull-up resistance of SCL and SDA lines and load capacitance.

*3 : The maximum t_{HDDAT} only has to be met if the device does not stretch the "L" width (t_{LOW}) of the SCL signal.

*4 : Refer to "• Note of SDA, SCL set-up time".

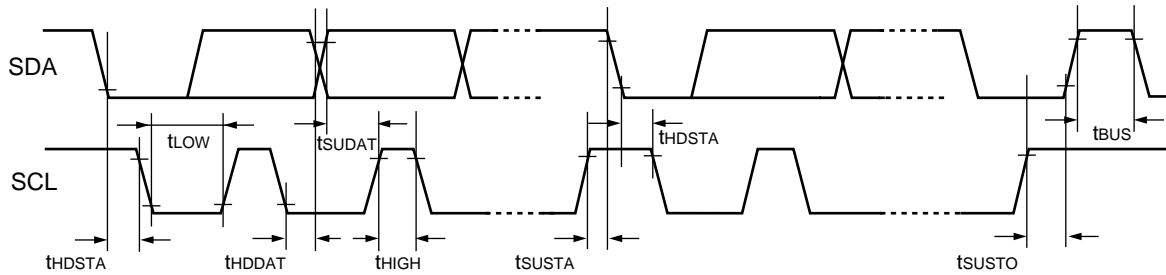
MB90330A Series

- Note of SDA, SCL set-up time



Note : The rating of the input data set-up time in the device connected to the bus cannot be satisfied depending on the load capacitance or pull-up resistor. Be sure to adjust the pull-up resistor of SDA and SCL if the rating of the input data set-up time cannot be satisfied.

- Timing definition



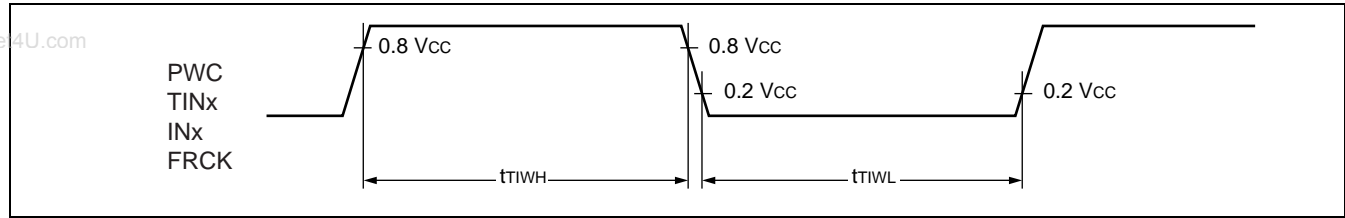
MB90330A Series

(7) Timer input timing

($V_{CC} = AV_{CC} = 3.3\text{ V} \pm 0.3\text{ V}$, $V_{SS} = AV_{SS} = 0.0\text{ V}$, $T_A = -40\text{ }^\circ\text{C}$ to $+85\text{ }^\circ\text{C}$)

Parameter	Symbol	Pin name	Conditions	Value		Unit
				Min	Max	
Input pulse width	t_{TIWH} t_{TIWL}	FRCK, INx, TINx, PWC	—	4 t_{CP}	—	ns

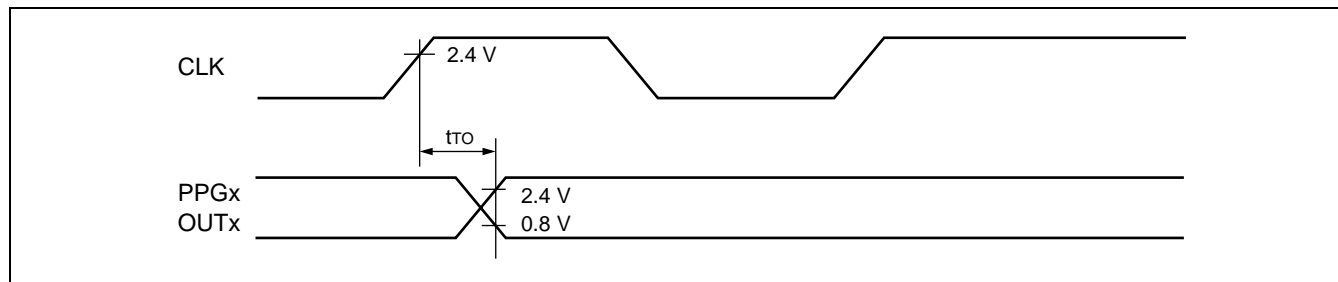
Note : t_{CP} : Refer to “ (1) Clock input timing”.



(8) Timer output timing

($V_{CC} = AV_{CC} = 3.3\text{ V} \pm 0.3\text{ V}$, $V_{SS} = AV_{SS} = 0.0\text{ V}$, $T_A = -40\text{ }^\circ\text{C}$ to $+85\text{ }^\circ\text{C}$)

Parameter	Symbol	Pin name	Conditions	Value		Unit
				Min	Max	
CLK \uparrow →T _{OUT} change time PPG0 to PPG5 change time OUT0 to OUT3 change time	t_{TO}	TOTx, PPGx, OUTx	—	30	—	ns

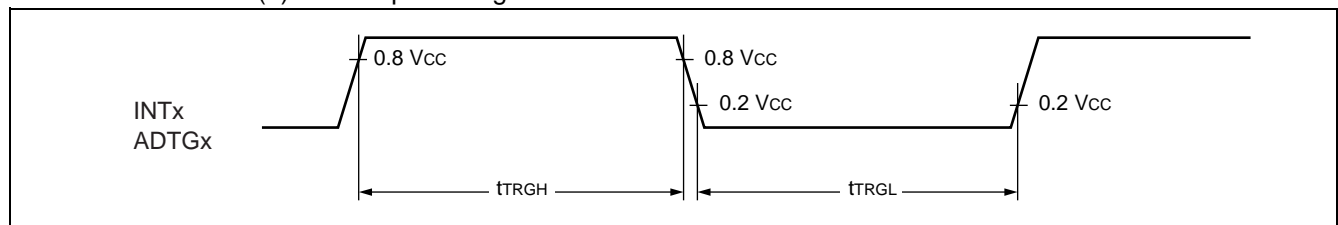


(9) Trigger input timing

($V_{CC} = AV_{CC} = 3.3\text{ V} \pm 0.3\text{ V}$, $V_{SS} = AV_{SS} = 0.0\text{ V}$, $T_A = -40\text{ }^\circ\text{C}$ to $+85\text{ }^\circ\text{C}$)

Parameter	Symbol	Pin name	Conditions	Value		Unit	Remarks
				Min	Max		
Input pulse width	t_{TRGH}	INTx, ADTG	—	5 t_{CP}	—	ns	At normal operating
	t_{TRGL}			1	—	μs	In Stop mode

Note : t_{CP} : Refer to “ (1) Clock input timing”.



MB90330A Series

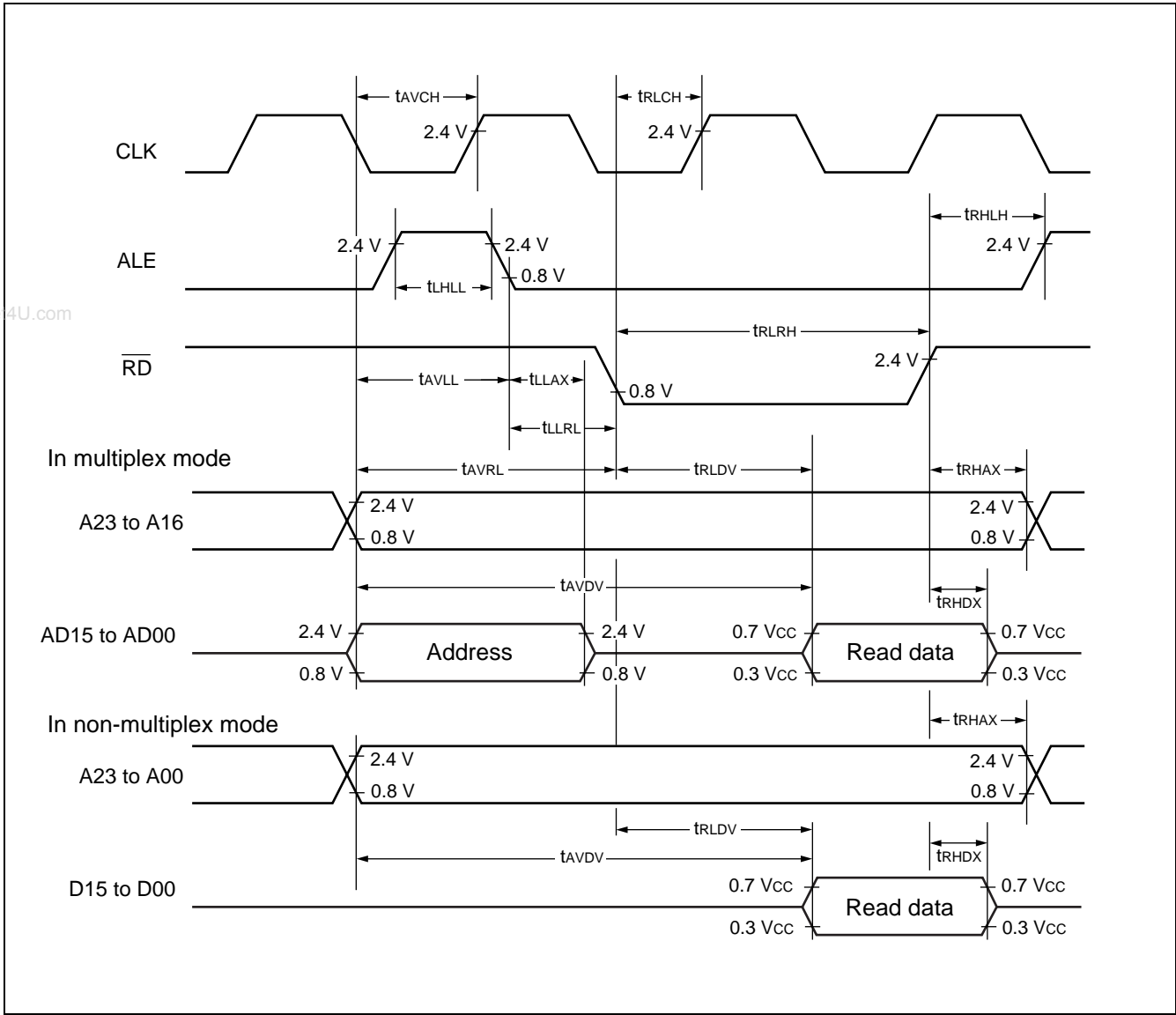
(10) Bus read timing

($V_{CC} = AV_{CC} = 3.3 V \pm 0.3 V$, $V_{SS} = AV_{SS} = 0.0 V$, $T_A = 0\text{ }^{\circ}\text{C to } +70\text{ }^{\circ}\text{C}$)

Parameter	Sym- bol	Pin name	Conditions	Value		Unit	Remarks
				Min	Max		
ALE pulse width	t_{LHLL}	ALE	—	$t_{CP}/2 - 15$	—	ns	At $f_{CP} = 24\text{ MHz}$
				$t_{CP}/2 - 20$	—	ns	At $f_{CP} = 12\text{ MHz}$
				$t_{CP}/2 - 35$	—	ns	At $f_{CP} = 6\text{ MHz}$
Valid address→ALE↓time	t_{AVLL}	Address, ALE	—	$t_{CP}/2 - 17$	—	ns	
				$t_{CP}/2 - 40$	—	ns	At $f_{CP} = 6\text{ MHz}$
ALE↓→Address valid time	t_{LLAX}	ALE, Address	—	$t_{CP}/2 - 15$	—	ns	
Valid address→ \overline{RD} ↓time	t_{AVRL}	\overline{RD} , Address	—	$t_{CP} - 25$	—	ns	
Valid address→valid data input	t_{AVDV}	Address/ data	—	—	$5 t_{CP}/2 - 55$	ns	
				—	$5 t_{CP}/2 - 80$	ns	At $f_{CP} = 6\text{ MHz}$
\overline{RD} pulse width	t_{RLRH}	\overline{RD}	—	$3 t_{CP}/2 - 25$	—	ns	At $f_{CP} = 24\text{ MHz}$
				$3 t_{CP}/2 - 20$	—	ns	At $f_{CP} = 12\text{ MHz}$
\overline{RD} ↓→valid data input	t_{RLDV}	\overline{RD} , Data	—	—	$3 t_{CP}/2 - 55$	ns	
				—	$3 t_{CP}/2 - 80$	ns	At $f_{CP} = 6\text{ MHz}$
\overline{RD} ↓→data hold time	t_{RHDX}	\overline{RD} , Data	—	0	—	ns	
\overline{RD} ↑→ALE↑time	t_{RHLH}	\overline{RD} , ALE	—	$t_{CP}/2 - 15$	—	ns	
\overline{RD} ↑→address valid time	t_{RHAX}	Address, \overline{RD}	—	$t_{CP}/2 - 10$	—	ns	
Valid address→CLK↑time	t_{AVCH}	Address, CLK	—	$t_{CP}/2 - 17$	—	ns	
\overline{RD} ↓→CLK↑time	t_{RLCH}	\overline{RD} , CLK	—	$t_{CP}/2 - 17$	—	ns	
ALE↓→ \overline{RD} ↓time	t_{LLRL}	\overline{RD} , ALE	—	$t_{CP}/2 - 15$	—	ns	

Note : t_{CP} : Refer to “ (1) Clock input timing”.

MB90330A Series



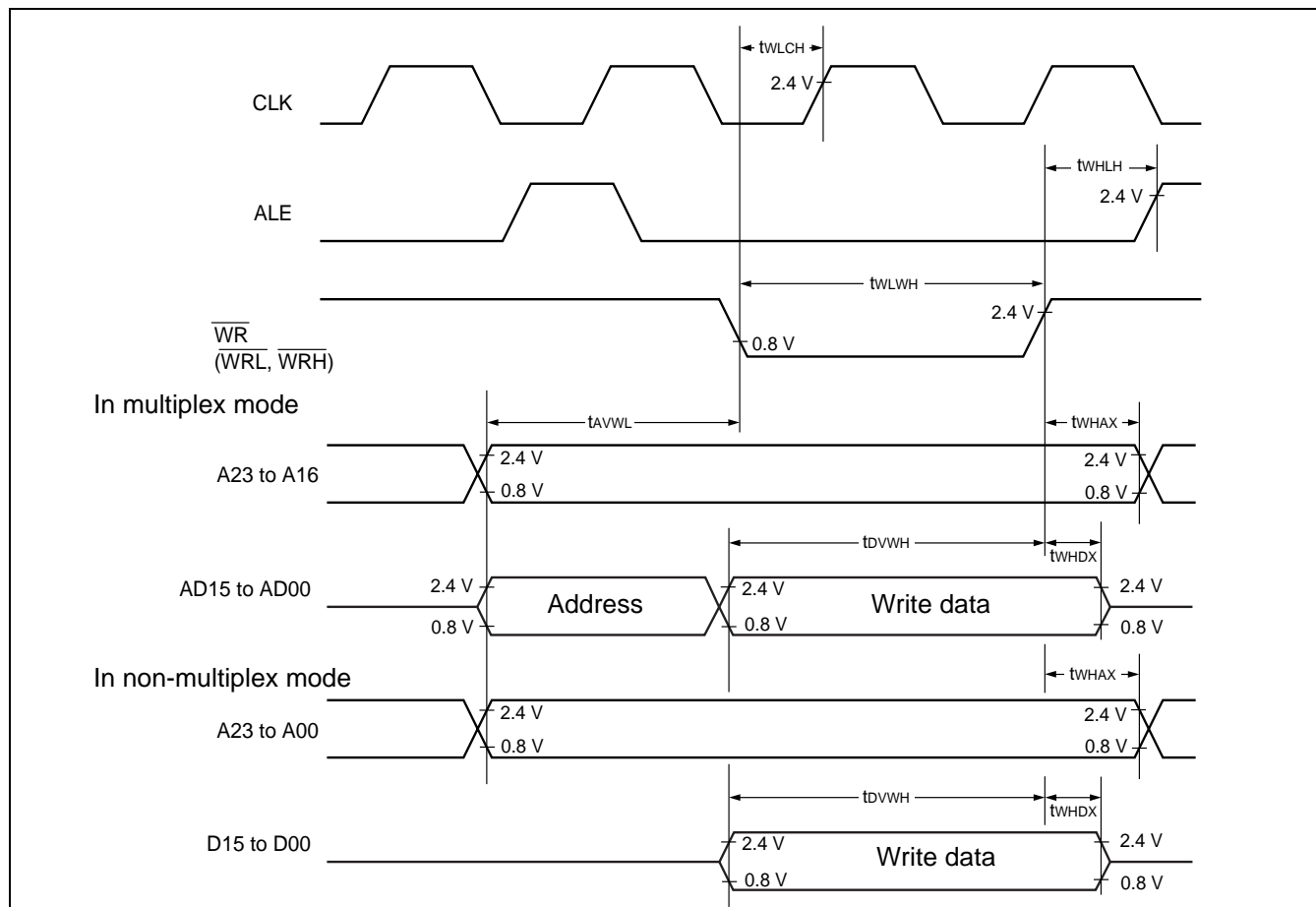
MB90330A Series

(11) Bus write timing

($V_{CC} = AV_{CC} = 3.3\text{ V} \pm 0.3\text{ V}$, $V_{SS} = AV_{SS} = 0.0\text{ V}$, $T_A = 0\text{ }^\circ\text{C}$ to $+70\text{ }^\circ\text{C}$)

Parameter	Symbol	Pin name	Conditions	Value		Unit	Remarks
				Min	Max		
Valid address $\rightarrow \overline{WR} \downarrow$ time	t_{AVWL}	Address, \overline{WR}	—	$t_{CP} - 15$	—	ns	
\overline{WR} pulse width	t_{WLWH}	\overline{WRL} , \overline{WRH}	—	$3 t_{CP}/2 - 25$	—	ns	At $f_{CP} = 24\text{ MHz}$
			—	$3 t_{CP}/2 - 20$	—	ns	At $f_{CP} = 12\text{ MHz}$
Valid data output $\rightarrow \overline{WR} \uparrow$ time	t_{DVWH}	Data, \overline{WR}	—	$3 t_{CP}/2 - 15$	—	ns	
$\overline{WR} \uparrow \rightarrow$ data hold time	t_{WHDX}	\overline{WR} , Data	—	10	—	ns	At $f_{CP} = 24\text{ MHz}$
			—	20	—	ns	At $f_{CP} = 12\text{ MHz}$
			—	30	—	ns	At $f_{CP} = 6\text{ MHz}$
$\overline{WR} \uparrow \rightarrow$ address valid time	t_{WHAX}	\overline{WR} , Address	—	$t_{CP}/2 - 10$	—	ns	
$\overline{WR} \uparrow \rightarrow$ ALE \uparrow time	t_{WHLH}	\overline{WR} , ALE	—	$t_{CP}/2 - 15$	—	ns	
$\overline{WR} \downarrow \rightarrow$ CLK \uparrow time	t_{WLCH}	\overline{WR} , CLK	—	$t_{CP}/2 - 17$	—	ns	

Note : t_{CP} : Refer to “ (1) Clock input timing”.



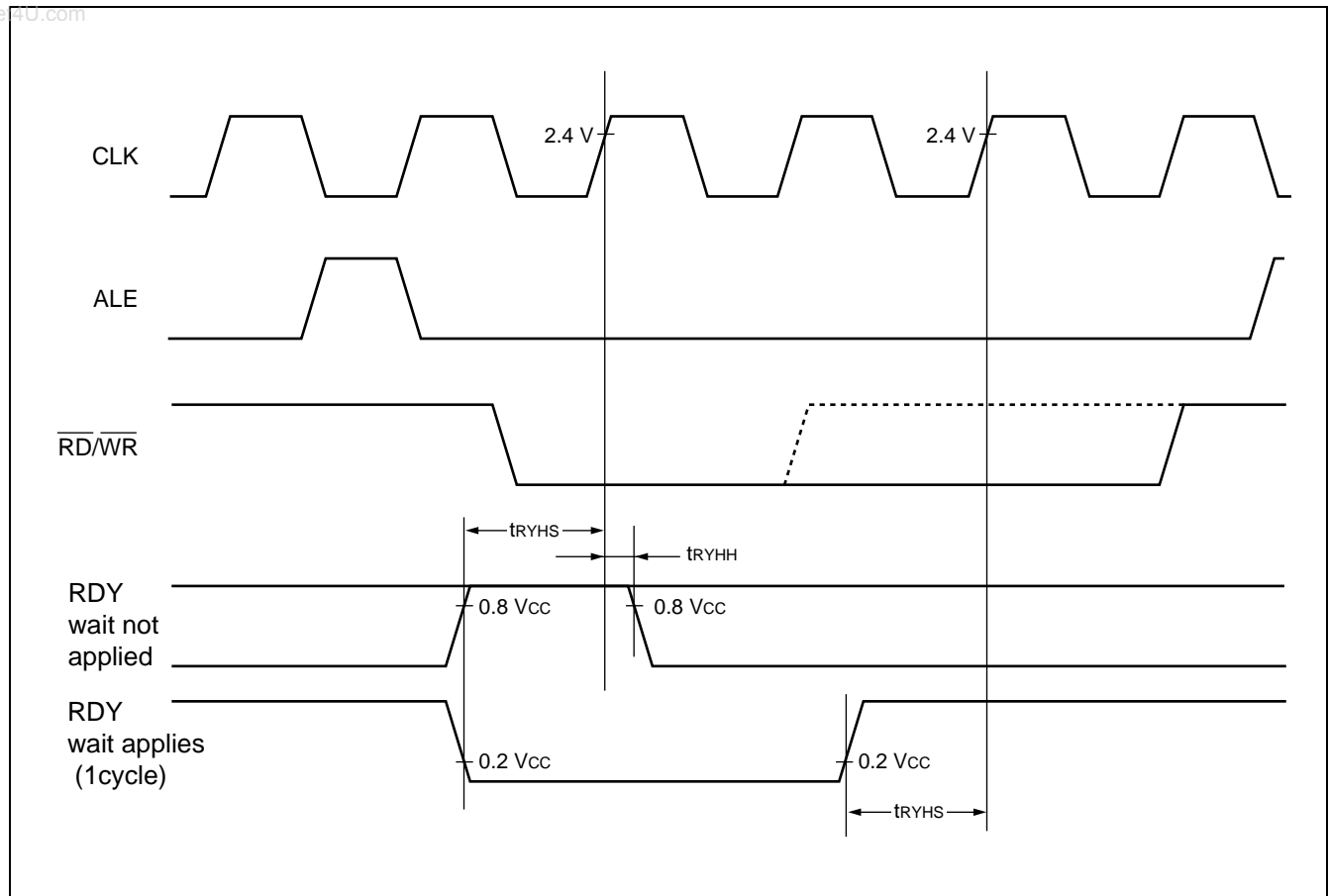
MB90330A Series

(12) Ready input timing

($V_{CC} = AV_{CC} = 3.3 \text{ V} \pm 0.3 \text{ V}$, $V_{SS} = AV_{SS} = 0.0 \text{ V}$, $T_A = 0 \text{ }^\circ\text{C}$ to $+70 \text{ }^\circ\text{C}$)

Parameter	Symbol	Pin name	Conditions	Value		Unit	Remarks
				Min	Max		
RDY set-up time	t_{RYHS}	RDY	—	35	—	ns	$f_{cp} = 6 \text{ MHz}$
			—	70	—	ns	
RDY hold time	t_{RYHH}	—	—	0	—	ns	—

www.DataSheet4U.com



MB90330A Series

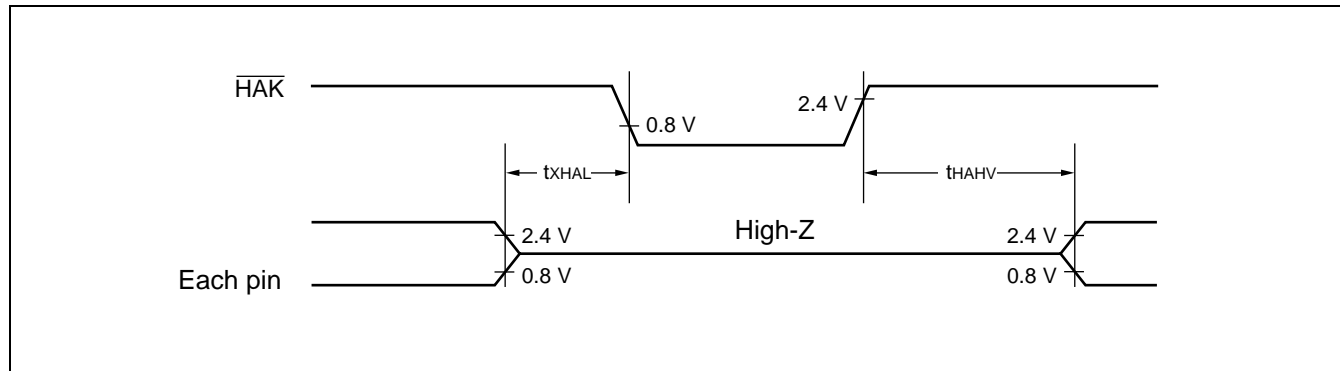
(13) Hold timing

($V_{CC} = AV_{CC} = 3.3 \text{ V} \pm 0.3 \text{ V}$, $V_{SS} = AV_{SS} = 0.0 \text{ V}$, $T_A = 0 \text{ }^\circ\text{C}$ to $+70 \text{ }^\circ\text{C}$)

Parameter	Symbol	Pin name	Conditions	Value		Unit
				Min	Max	
Pin floating $\rightarrow \overline{\text{HAK}} \downarrow$ time	t_{XHAL}	$\overline{\text{HAK}}$	—	30	t_{CP}	ns
$\overline{\text{HAK}} \downarrow \rightarrow$ pin valid time	t_{HAHV}	$\overline{\text{HAK}}$		t_{CP}	$2 t_{CP}$	ns

- Notes :
- It takes one cycle or more for $\overline{\text{HAK}}$ to change after the HRQ pin is captured.
 - t_{CP} : Refer to “(1) Clock input timing”.

www.DataSheet4U.com



5. Electrical Characteristics for the A/D Converter

($V_{CC} = AV_{CC} = 3.3 \text{ V} \pm 0.3 \text{ V}$, $V_{SS} = AV_{SS} = 0.0 \text{ V}$, $T_A = -40 \text{ }^\circ\text{C}$ to $+85 \text{ }^\circ\text{C}$)

Parameter	Symbol	Pin name	Value			Unit	Remarks
			Min	Typ	Max		
Resolution	—	—	—	—	10	bit	
Total error	—	—	—	—	± 3.0	LSB	
Nonlinear error	—	—	—	—	± 2.5	LSB	
Differential linear error	—	—	—	—	± 1.9	LSB	
Zero transition voltage	V_{OT}	AN0 to AN15	$AV_{SS} - 1.5 \text{ LSB}$	$AV_{SS} + 0.5 \text{ LSB}$	$AV_{SS} + 2.5 \text{ LSB}$	mV	1 LSB = AVRH/1024
Full-scale transition voltage	V_{FST}	AN0 to AN15	$AVRH - 3.5 \text{ LSB}$	$AVRH - 1.5 \text{ LSB}$	$AVRH + 0.5 \text{ LSB}$	mV	
Conversion time	—	—	—	$176 t_{CP}^{*1}$	—	ns	
Sampling time	—	—	—	$64 t_{CP}^{*1}$	—	ns	
Analog port input current	I_{AIN}	AN0 to AN15	—	—	10	μA	
Analog input voltage	V_{AIN}	AN0 to AN15	0	—	AVRH	V	
Reference voltage	—	AVRH	2.7	—	AV_{CC}	V	
Power supply current	I_A	AV_{CC}	—	1.4	3.5	mA	
	I_{AH}	AV_{CC}	—	—	5	μA	*2
Reference voltage supplying current	I_R	AVRH	—	95	170	μA	
	I_{RH}	AVRH	—	—	5	μA	*2
Interchannel disparity	—	AN0 to AN15	—	—	4	LSB	

*1 : t_{CP} : Refer to " 4. AC Characteristics (1) Clock input timing".

*2 : The current when the CPU is in stop mode and the A/D converter is not operating (For $V_{CC} = AV_{CC} = AVRH = 3.3 \text{ V}$).

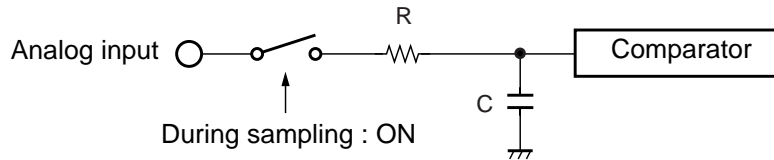
MB90330A Series

Notes :

- **About the external impedance of the analog input and its sampling time**

- A/D converter with sample and hold circuit. If the external impedance is too high to keep sufficient sampling time, the analog voltage charged to the internal sample and hold capacitor is insufficient, adversely affecting A/D conversion precision.

- Analog input circuit model



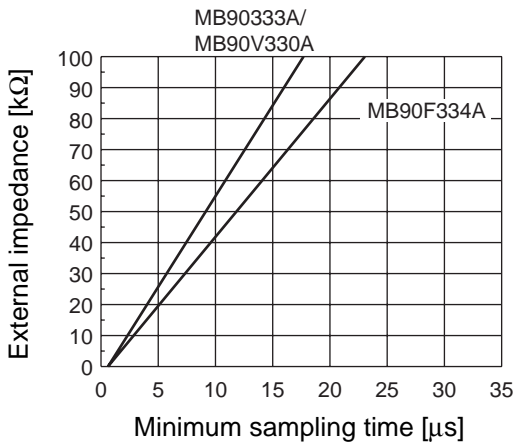
	R	C
MB90333A	1.9 kΩ (Max)	32.3 pF (Max)
MB90F334A	1.9 kΩ (Max)	25.0 pF (Max)
MB90V330A	1.9 kΩ (Max)	32.3 pF (Max)

Note : The values are reference values.

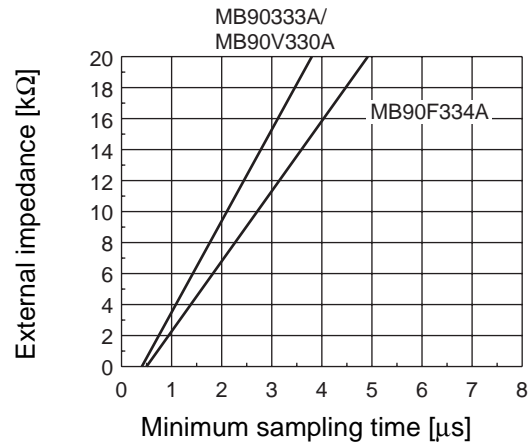
- To satisfy the A/D conversion precision standard, consider the relationship between the external impedance and minimum sampling time and either adjust the resistor value and operating frequency or decrease the external impedance so that the sampling time is longer than the minimum value.

- The relationship between the external impedance and minimum sampling time

(External impedance = 0 kΩ to 100 kΩ)



(External impedance = 0 kΩ to 20 kΩ)



- If the sampling time cannot be sufficient, connect a capacitor of about 0.1 μF to the analog input pin.

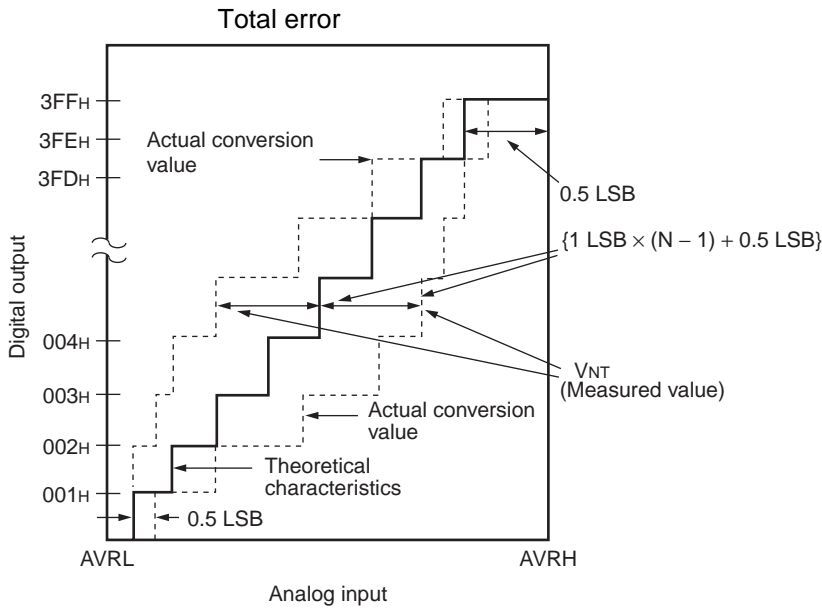
- **About errors**

As |AVRH| becomes smaller, values of relative errors grow larger.

A/D Converter Glossary

- Resolution : Analog changes that are identifiable with the A/D converter.
- Linearity error : The deviation of the straight line connecting the zero transition point (“00 0000 0000” ↔ “00 0000 0001”) with the full-scale transition point (“11 1111 1110” ↔ “11 1111 1111”) from actual conversion characteristics.
- Differential linearity error : The deviation of input voltage needed to change the output code by 1 LSB from the theoretical value.
- Total error : The total error is defined as a difference between the actual value and the theoretical value, which includes zero-transition error/full-scale transition error and linearity error.

www.DataSheet4u.com



$$\text{Total error for digital output } N = \frac{V_{NT} - \{1 \text{ LSB} \times (N - 1) + 0.5 \text{ LSB}\}}{1 \text{ LSB}} \text{ [LSB]}$$

$$1 \text{ LSB (Theoretical value)} = \frac{AVR - AV_{SS}}{1024} \text{ [V]}$$

$$V_{OT} \text{ (Theoretical value)} = AV_{SS} + 0.5 \text{ LSB [V]}$$

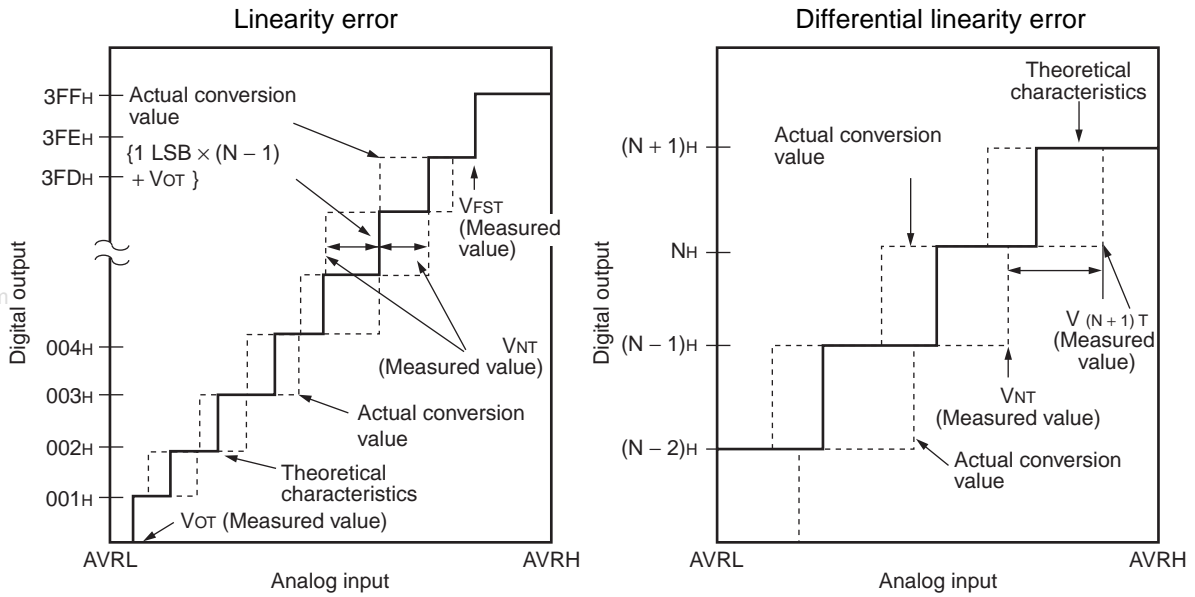
$$V_{FST} \text{ (Theoretical value)} = AVR - 1.5 \text{ LSB [V]}$$

V_{NT} : Voltage at a transition of digital output from $(N - 1)_H$ to N_H

(Continued)

MB90330A Series

(Continued)



$$\text{Linearity error of digital output } N = \frac{V_{NT} - \{1 \text{ LSB} \times (N - 1) + V_{OT}\}}{1 \text{ LSB}} \quad [\text{LSB}]$$

$$\text{Differential linearity error of digital output } N = \frac{V_{(N+1)T} - V_{NT}}{1 \text{ LSB}} - 1 \quad [\text{LSB}]$$

$$1 \text{ LSB} = \frac{V_{FST} - V_{OT}}{1022} \quad [\text{V}]$$

V_{OT} : Voltage at transition of digital output from "000H" to "001H"

V_{FST} : Voltage at transition of digital output from "3FEH" to "3FFH"

MB90330A Series

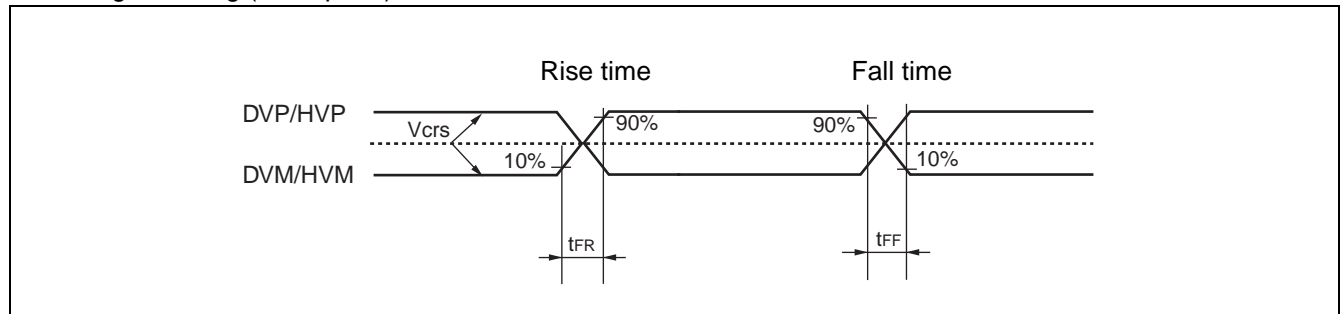
6. USB characteristics

($V_{CC} = AV_{CC} = 3.3\text{ V} \pm 0.3\text{ V}$, $V_{SS} = AV_{SS} = 0.0\text{ V}$, $T_A = 0\text{ }^\circ\text{C}$ to $+70\text{ }^\circ\text{C}$)

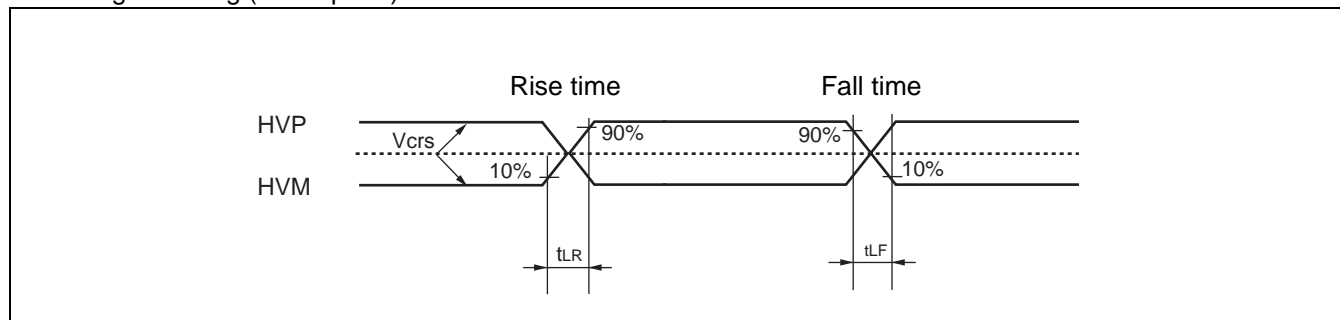
Parameter	Sym- bol	Value		Unit	Remarks	
		Min	Max			
Input characteristics	Input High level voltage	V_{IH}	2.0	—	V	
	Input Low level voltage	V_{IL}	—	0.8	V	
	Differential input sensitivity	V_{DI}	0.2	—	V	
	Differential common mode range	V_{CM}	0.8	2.5	V	
Output characteristics	Output High level voltage	V_{OH}	2.8	3.6	V	$I_{OH} = -200\text{ }\mu\text{A}$
	Output Low level voltage	V_{OL}	0.0	0.3	V	$I_{OL} = 2\text{ mA}$
	Cross over voltage	V_{CRS}	1.3	2.0	V	
	Rise time	t_{FR}	4	20	ns	Full Speed
		t_{LR}	75	300	ns	Low Speed
	Fall time	t_{FF}	4	20	ns	Full Speed
		t_{LF}	75	300	ns	Low Speed
	Rising/falling time matching	t_{RFM}	90	111.11	%	(T_{FR}/T_{FF})
t_{RLM}		80	125	%	(T_{LR}/T_{LF})	
Output impedance	Z_{DRV}	28	44	Ω	Including $R_s = 27\text{ }\Omega$	
Series resistance	R_s	25	30	Ω	Recommended value = $27\text{ }\Omega$ at using USB*	

* : Arrange the series resistance R_s values in order to set the impedance value within the output impedance Z_{SRV} .

• Data signal timing (Full Speed)

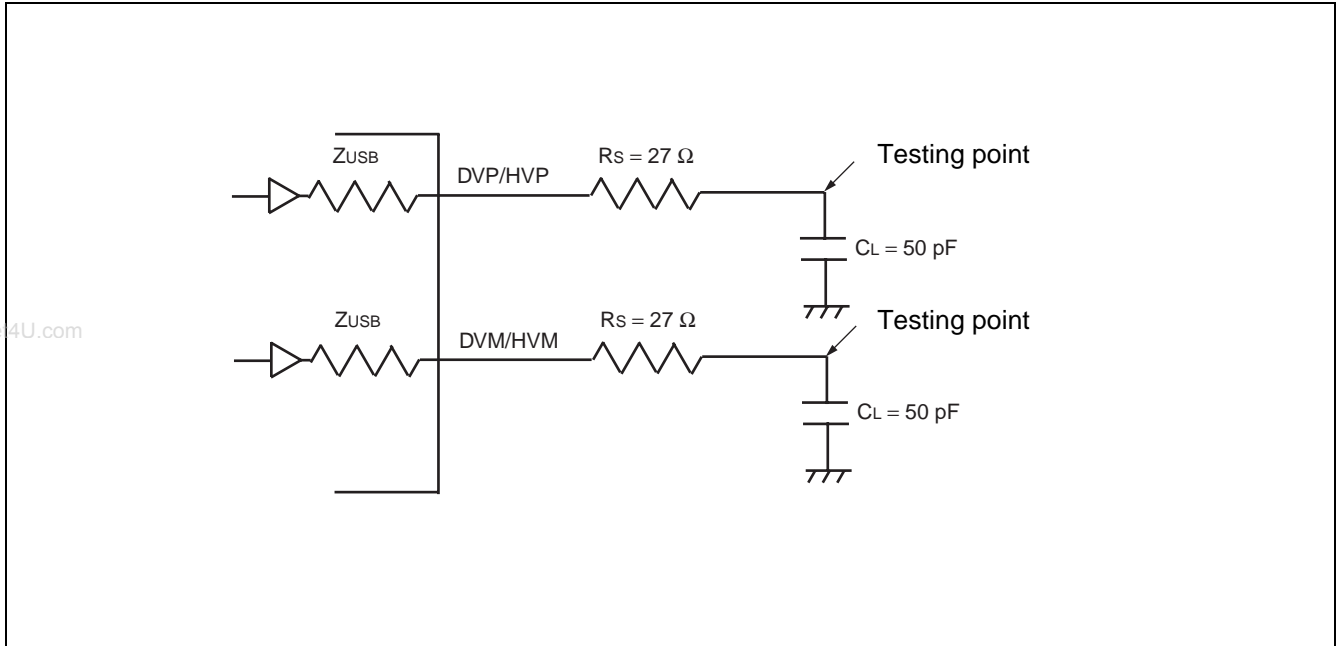


• Data signal timing (Low Speed)

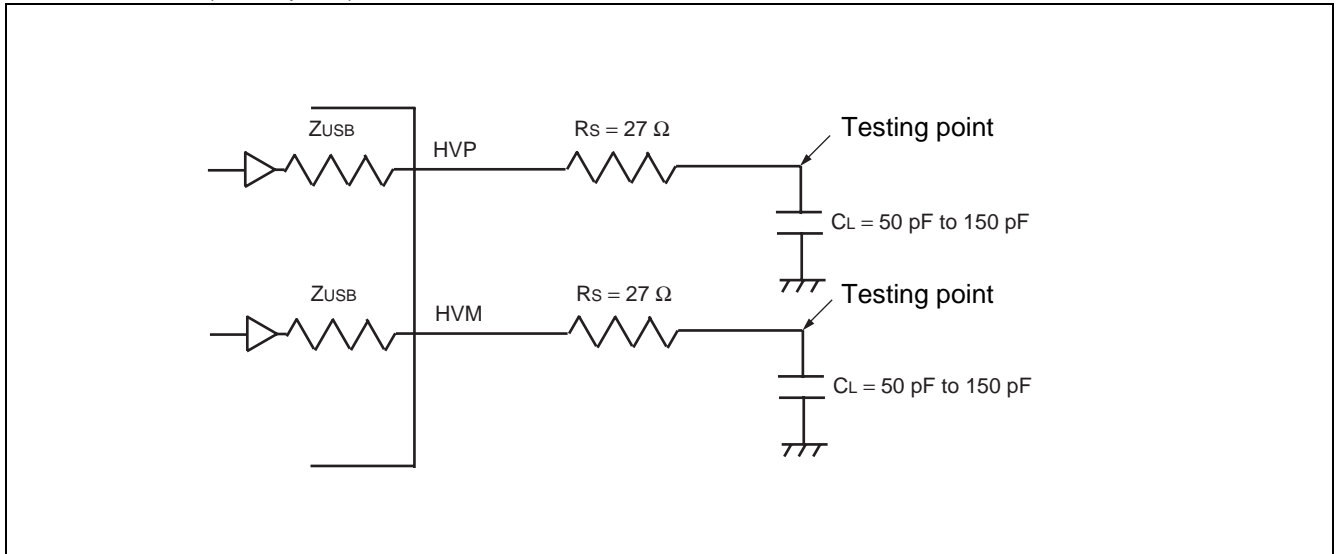


MB90330A Series

- Load condition (Full Speed)



- Load condition (Low Speed)



7. Flash memory write/erase characteristics

Parameter	Condition	Value			Unit	Remarks
		Min	Typ	Max		
Sector erase time	T _A = + 25 °C V _{CC} = 3.0 V	—	1	15	s	Excludes 00 _H programming prior to erasure.
Chip erase time		—	9	—	s	Excludes 00 _H programming prior to erasure.
Word (16-bit width) programming time		—	16	3600	μs	Except for over head time of system level
Programming/erase cycle	—	10000	—	—	cycle	
Flash memory data retaining period	Average T _A = + 85 °C	20	—	—	year	*

* : This value comes from the technology qualification. (using Arrhenius equation to translate high temperature measurements into normalized value at + 85 °C)

MB90330A Series

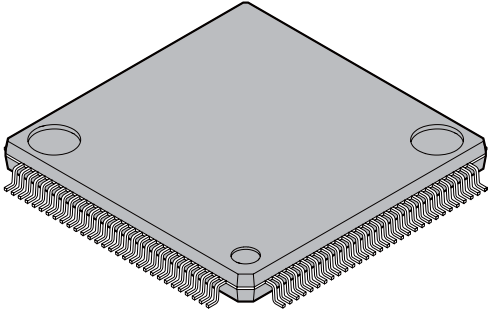
■ ORDERING INFORMATION

Part number	Package	Remarks
MB90F334APFF MB90333APFF	120-pin plastic LQFP (FPT-120P-M05)	
MB90F334APMC MB90333APMC	120-pin plastic LQFP (FPT-120P-M21)	
MB90V330A	299-pin ceramic PGA (PGA-299C-A01)	For evaluation

www.DataSheet4U.com

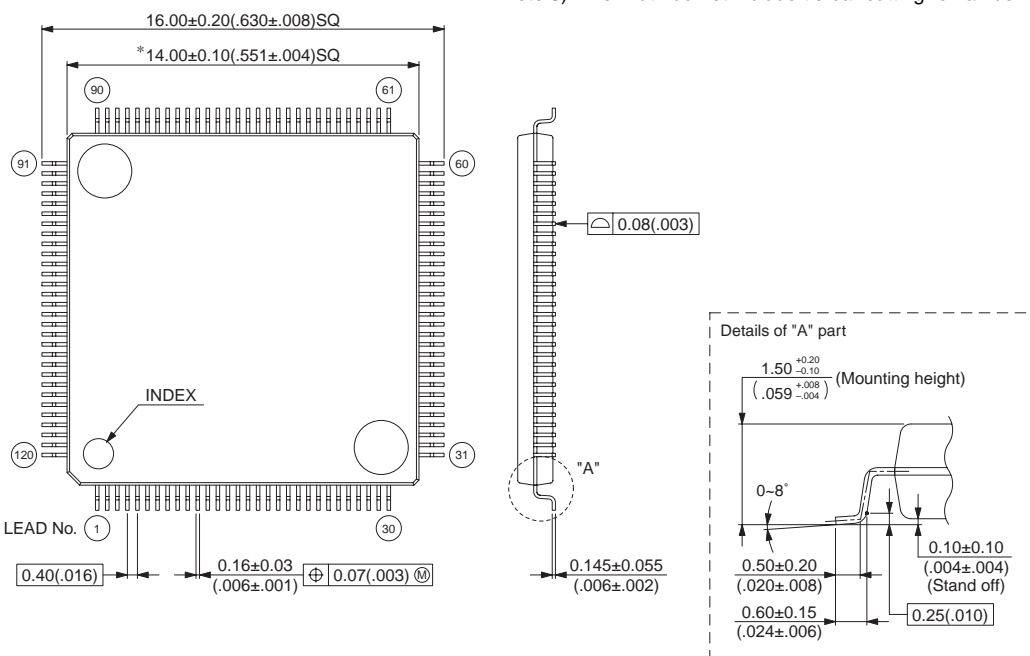
MB90330A Series

■ PACKAGE DIMENSIONS

<p>120-pin plastic LQFP</p>  <p>(FPT-120P-M05)</p>	Lead pitch	0.40 mm
	Package width × package length	14.0 × 14.0 mm
	Lead shape	Gullwing
	Sealing method	Plastic mold
	Mounting height	1.70 mm MAX
	Weight	0.62 g
	Code (Reference)	P-LFQFP120-14×14-0.40

120-pin plastic LQFP (FPT-120P-M05)

Note 1) * : These dimensions do not include resin protrusion.
 Note 2) Pins width and pins thickness include plating thickness.
 Note 3) Pins width do not include tie bar cutting remainder.



Dimensions in mm (inches).
 Note: The values in parentheses are reference values.

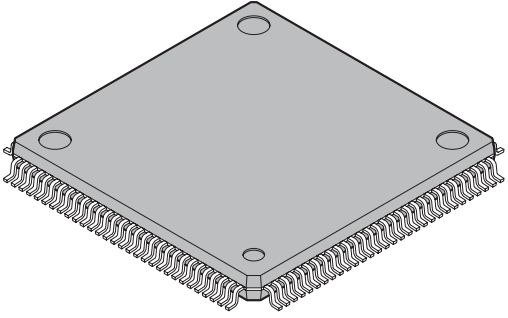
© 2003 FUJITSU LIMITED F120006S-c-4-5

Please confirm the latest Package dimension by following URL.
<http://edevice.fujitsu.com/package/en-search/>

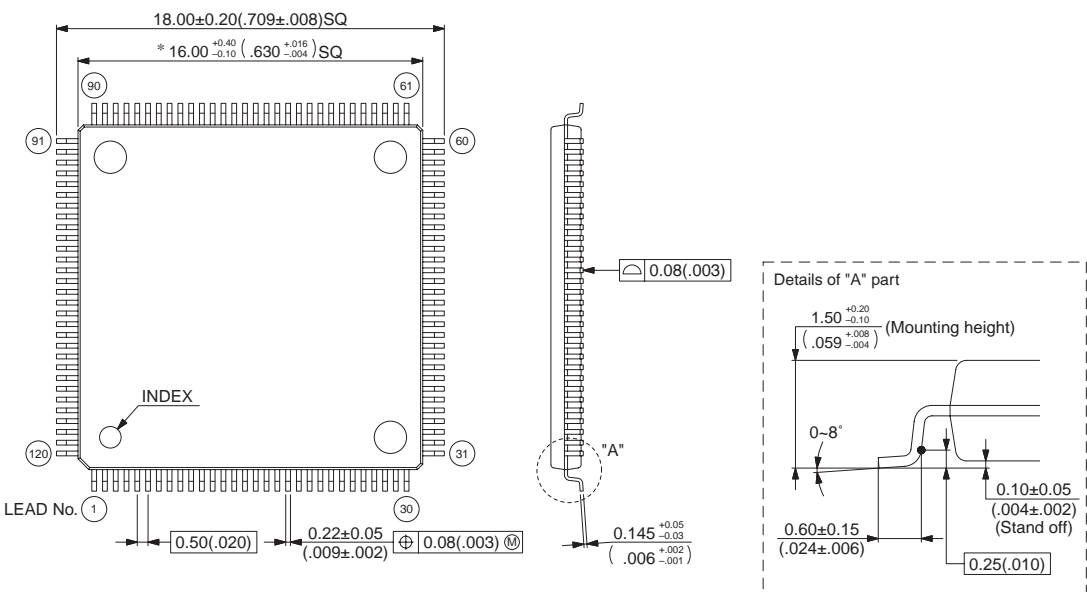
(Continued)

MB90330A Series

(Continued)

<p>120-pin plastic LQFP</p>  <p>(FPT-120P-M21)</p>	Lead pitch	0.50 mm
	Package width × package length	16.0 × 16.0 mm
	Lead shape	Gullwing
	Sealing method	Plastic mold
	Mounting height	1.70 mm MAX
	Weight	0.88 g
	Code (Reference)	P-LFQFP120-16×16-0.50

120-pin plastic LQFP (FPT-120P-M21)



Top view dimensions:
 Overall width: 18.00 ± 0.20 (.709 ± .008) SQ
 Pin pitch: 0.50 (.020)
 Pin width: 0.22 ± 0.05 (.009 ± .002)
 Pin thickness: 0.08 (.003) M
 Mounting height: 1.50 (.059) $^{+0.20}_{-0.10}$ (Mounting height)
 Stand off: 0.10 ± 0.05 (.004 ± .002)
 Lead angle: 0-8°
 Lead length: 0.60 ± 0.15 (.024 ± .006)
 Lead thickness: 0.145 $^{+0.05}_{-0.03}$ (.006 $^{+0.002}_{-0.001}$)

Side view dimensions:
 Pin thickness: 0.08 (.003)
 Lead thickness: 0.145 $^{+0.05}_{-0.03}$ (.006 $^{+0.002}_{-0.001}$)

Details of "A" part:
 Mounting height: 1.50 $^{+0.20}_{-0.10}$ (Mounting height)
 Stand off: 0.10 ± 0.05 (.004 ± .002)
 Lead length: 0.60 ± 0.15 (.024 ± .006)
 Lead thickness: 0.25 (.010)

Note 1) *: These dimensions do not include resin protrusion. Resin protrusion is +0.25(.010) MAX(each side).
 Note 2) Pins width and pins thickness include plating thickness.
 Note 3) Pins width do not include tie bar cutting remainder.

© 2002 FUJITSU LIMITED F120033S-c-4-4

Dimensions in mm (inches).
 Note: The values in parentheses are reference values.

Please confirm the latest Package dimension by following URL.
<http://edevic.fujitsu.com/package/en-search/>

■ MAIN CHANGES IN THIS EDITION

Page	Section	Change Results
3	■ INTERNAL PERIPHERAL FUNCTION (RESOURCE)	Changed as follows conform to USB2.0 Full Speed → correspond to USB Full Speed
4	■ PRODUCT LINEUP	
64	■ PERIPHERAL RESOURCES 10. USB Function • Feature of USB function	

The vertical lines marked in the left side of the page show the changes

FUJITSU MICROELECTRONICS LIMITED

Shinjuku Dai-Ichi Seimei Bldg. 7-1, Nishishinjuku 2-chome, Shinjuku-ku,
Tokyo 163-0722, Japan Tel: +81-3-5322-3347 Fax: +81-3-5322-3387
<http://jp.fujitsu.com/fml/en/>

For further information please contact:

North and South America

FUJITSU MICROELECTRONICS AMERICA, INC.
1250 E. Arques Avenue, M/S 333
Sunnyvale, CA 94085-5401, U.S.A.
Tel: +1-408-737-5600 Fax: +1-408-737-5999
<http://www.fma.fujitsu.com/>

Europe

FUJITSU MICROELECTRONICS EUROPE GmbH
Pittlerstrasse 47, 63225 Langen,
Germany
Tel: +49-6103-690-0 Fax: +49-6103-690-122
<http://emea.fujitsu.com/microelectronics/>

Korea

FUJITSU MICROELECTRONICS KOREA LTD.
206 KOSMO TOWER, 1002 Daechi-Dong,
Kangnam-Gu, Seoul 135-280
Korea
Tel: +82-2-3484-7100 Fax: +82-2-3484-7111
<http://www.fmk.fujitsu.com/>

Asia Pacific

FUJITSU MICROELECTRONICS ASIA PTE LTD.
151 Lorong Chuan, #05-08 New Tech Park,
Singapore 556741
Tel: +65-6281-0770 Fax: +65-6281-0220
<http://www.fujitsu.com/sg/services/micro/semiconductor/>

FUJITSU MICROELECTRONICS SHANGHAI CO., LTD.
Rm.3102, Bund Center, No.222 Yan An Road(E),
Shanghai 200002, China
Tel: +86-21-6335-1560 Fax: +86-21-6335-1605
<http://cn.fujitsu.com/fmc/>

FUJITSU MICROELECTRONICS PACIFIC ASIA LTD.
10/F., World Commerce Centre, 11 Canton Road
Tsimshatsui, Kowloon
Hong Kong
Tel: +852-2377-0226 Fax: +852-2376-3269
<http://cn.fujitsu.com/fmc/tw>

All Rights Reserved.

The contents of this document are subject to change without notice.

Customers are advised to consult with sales representatives before ordering.

The information, such as descriptions of function and application circuit examples, in this document are presented solely for the purpose of reference to show examples of operations and uses of FUJITSU MICROELECTRONICS device; FUJITSU MICROELECTRONICS does not warrant proper operation of the device with respect to use based on such information. When you develop equipment incorporating the device based on such information, you must assume any responsibility arising out of such use of the information.

FUJITSU MICROELECTRONICS assumes no liability for any damages whatsoever arising out of the use of the information.

Any information in this document, including descriptions of function and schematic diagrams, shall not be construed as license of the use or exercise of any intellectual property right, such as patent right or copyright, or any other right of FUJITSU MICROELECTRONICS or any third party or does FUJITSU MICROELECTRONICS warrant non-infringement of any third-party's intellectual property right or other right by using such information. FUJITSU MICROELECTRONICS assumes no liability for any infringement of the intellectual property rights or other rights of third parties which would result from the use of information contained herein.

The products described in this document are designed, developed and manufactured as contemplated for general use, including without limitation, ordinary industrial use, general office use, personal use, and household use, but are not designed, developed and manufactured as contemplated (1) for use accompanying fatal risks or dangers that, unless extremely high safety is secured, could have a serious effect to the public, and could lead directly to death, personal injury, severe physical damage or other loss (i.e., nuclear reaction control in nuclear facility, aircraft flight control, air traffic control, mass transport control, medical life support system, missile launch control in weapon system), or (2) for use requiring extremely high reliability (i.e., submersible repeater and artificial satellite).

Please note that FUJITSU MICROELECTRONICS will not be liable against you and/or any third party for any claims or damages arising in connection with above-mentioned uses of the products.

Any semiconductor devices have an inherent chance of failure. You must protect against injury, damage or loss from such failures by incorporating safety design measures into your facility and equipment such as redundancy, fire protection, and prevention of over-current levels and other abnormal operating conditions.

Exportation/release of any products described in this document may require necessary procedures in accordance with the regulations of the Foreign Exchange and Foreign Trade Control Law of Japan and/or US export control laws.

The company names and brand names herein are the trademarks or registered trademarks of their respective owners.