

Fast Thyristors

Schnelle Thyristoren

Thyristors rapides

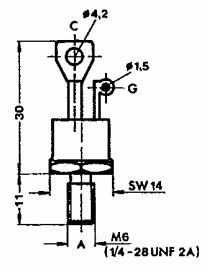
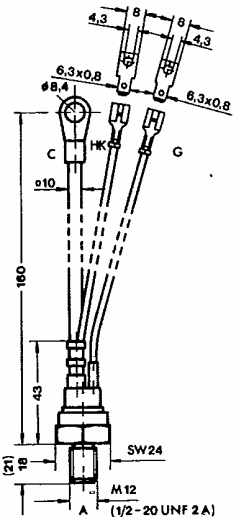
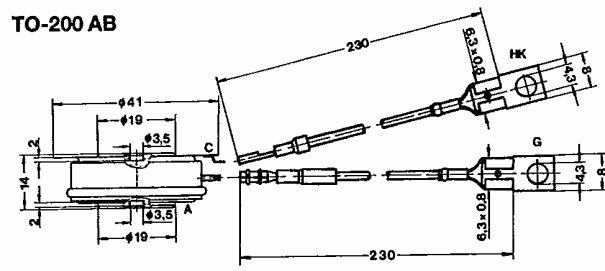
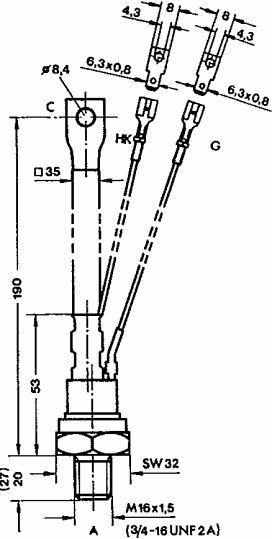
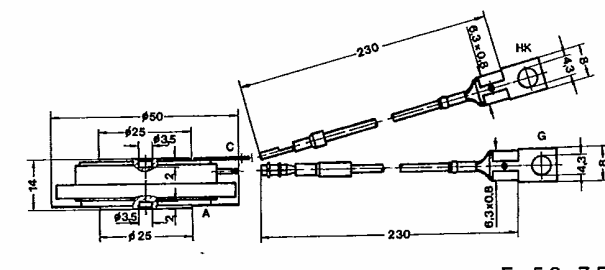
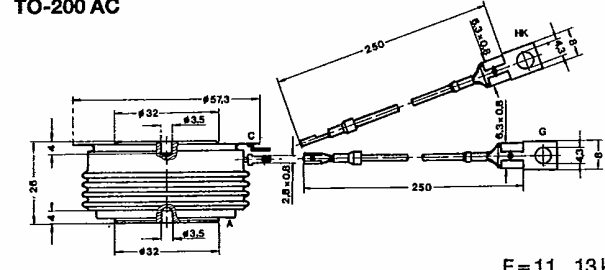
Types ³⁾	V _{RSM} V	V _{RRM} V _{VDRM} V	I _{TRMS} A	I _{TAV} (T _{case}) A	I _{TSM} (25 °C; 10 ms) A	I ² t (25 °C; 10 ms) A ² s	($\frac{di}{dt}$) ¹⁾ A/ μ s	($\frac{di}{dt}$) ²⁾ A/ μ s	($\frac{dv}{dt}$) V/ μ s	t _q μ s	V _T max. (I _T) V	V _{TR(O)} V	r _T m Ω	V _{GT} min. (t _q = 100 μ s) V	I _{GT} min. (t _q = 100 μ s) mA
SKT 12F06DR,DS F08DS F10DS,DT F12DS,DT	700 900 1100 1300	600 800 1000 1200	23	12 (90 °C)	250	310	300	100	500	R: \leq 10 S: \leq 15 T: \leq 20	2,65 (50 A)	1,8	16	3	150
SKT 16F06DR,DS* F08DS F10DS,DT*,DU F12DS,DT*	700 900 1100 1300	600 800 1000 1200	35	16 (90 °C)	370	685	300	100	500	R: \leq 10 S: \leq 15 T: \leq 20 U: \leq 25	2,05 (50 A)	1,4	12	3	150
SKT 45F06DS F08DS,DT F10DS,DT F12DT,DU	700 900 1100 1300	600 800 1000 1200	115	45 (92 °C)	1300	8400	600	200	500	S: \leq 15 T: \leq 20 U: \leq 25	3,65 (300 A)	1,8	6	5	150
SKT 70F06DT F08DT* F10DT*,DU F12DT*,DV	700 900 1100 1300	600 800 1000 1200	150	70 (85 °C)	1700	14500	600	200	500	T: \leq 20 U: \leq 25 V: \leq 30	2,65 (300 A)	1,6	3	5	150
SKT 110F06DT F08DT F10DU,DV F12DT,DU	700 900 1100 1300	600 800 1000 1200	240	110 (85 °C)	3000	45000	800	250	500	T: \leq 20 U: \leq 25	2,65 (500 A)	1,6	2	5	200
SKT 140F06DT F10DU F12DU,DV	700 1100 1300	600 1000 1200	275	140 (85 °C)	3750	70000	800	250	500	U: \leq 25 V: \leq 30	2,15 (500 A)	1,2	1,6	5	200
SKT 240F04DS,DT F08DS,DT F10DS,DT F12DS,DT,DU F14DV	500 900 1100 1300 1500	400 800 1000 1200 1400	450	240 (88 °C)	4500	101000	800	300	500	S: \leq 15 T: \leq 20 U: \leq 25 V: \leq 30	2,4 (900 A)	1,45	1,0	4	250
SKT 290F04DS,DT F08DS,DT F10DS,DT F12DT,DU	500 900 1100 1300	400 800 1000 1200	600	290 (85 °C)	5000	125000	800	300	500	S: \leq 15 T: \leq 20 U: \leq 25	2,05 (900 A)	1,3	0,75	4	250
SKT 350F08DT,DU F10DT,DU F12DT,DU F14DV	900 1100 1300 1500	800 1000 1200 1400	900	350 (84 °C)	6500	210000	1000	400	500	T: \leq 20 U: \leq 25 V: \leq 30	2,4 (1200 A)	1,9	0,4	4	250
SKT 430F04DS F06DS,DT F08DS,DT F10DS,DT F12DS	500 700 900 1100 1300	400 600 800 1000 1200	1100	430 (82,5 °C)	8000	320000	1000	400	500	S: \leq 15 T: \leq 20	2,0 (1200 A)	1,4	0,5	4	250
SKT 510F04DS F08DS,DT F10DS,DT F12DT,DU F14DV	500 900 1100 1300 1500	400 800 1000 1200 1400	1300	510 (85 °C)	11000	600000	800	300	500	S: \leq 15 T: \leq 20 U: \leq 25 V: \leq 30	2,2 (1800 A)	1,4	0,4	4	250
SKT 513F04DT F08DT F09DT F10DT F11DT F12DT F13DU F14DV		400 800 900 1000 1100 1200 1300 1400	1300	510 (85 °C)	11000	600000	1000	400	500	T: \leq 20 U: \leq 25 V: \leq 30	2,2 (1800 A)	1,4	0,4	4	250
SKT 590F04DS F08DS,DT F10DT,DU F12DT,DU	500 900 1100 1300	400 800 1000 1200	1500	590 (85 °C)	13000	845000	800	300	500	S: \leq 15 T: \leq 20 U: \leq 25	1,85 (1800 A)	1,25	0,3	4	250
SKT 593F08DS F09DS F10DS F11DS		800 900 1000 1100	1500	590 (85 °C)	13000	845000	1000	400	500	\leq 15	1,85	1,25	0,3	4	250

Tiristori veloci

T_{vj} max. °C	R_{thjo} cont. °C/W	R_{thch} °C/W	Case
125	1,2	0,5	B2
125	1,2	0,5	B2
125	0,25	0,08	B5
125	0,25	0,08	B5
125	0,16	0,03	B6
125	0,16	0,03	B6
125	0,07	0,02	B8
125	0,07	0,02	B8
125	0,045	0,012	B9
125	0,045	0,012	B9
125	0,038	0,008	B10
125	0,038	0,008	B10
125	0,038	0,008	B10
125	0,038	0,008	B10

Tiristores rápidos

Tiristores rápidos

<p>Case B 2 TO-208 AA (TO-48)</p>  <p>SKT 12 F, SKT 16 F</p> <p>M = 2,5 Nm w = 14 g</p>	<p>Case B 5 TO-209 AC (TO-94)⁵⁾</p>  <p>SKT 45 F, SKT 70 F*</p> <p>M = 10 Nm w = 80 g</p>
<p>Case B 8 TO-200 AB</p>  <p>SKT 240 F, SKT 290 F</p> <p>F = 4...5 kN w = 61 g</p>	<p>Case B 6 TO-209 AB (TO-93)</p>  <p>SKT 110 F, SKT 140 F</p> <p>M = 30 Nm w = 210 g</p>
<p>Case B 9</p>  <p>SKT 350 F, SKT 430 F</p> <p>F = 5,2...7,5 kN w = 105 g</p>	<p>Case B 10 TO-200 AC</p>  <p>SKT 510 F, SKT 513 F, SKT 590 F, SKT 593 F</p> <p>F = 11...13 kN w = 240 g</p>

- 1) Non-repetitive
 - 2) Repetitive
 - 3) Second code letter appended to the type number
- P: $t_{q1} \leq 7 \mu s$
 R: $t_{q1} \leq 10 \mu s$
 S: $t_{q1} \leq 15 \mu s$
 T: $t_{q1} \leq 20 \mu s$
 U: $t_{q1} \leq 25 \mu s$
 V: $t_{q1} \leq 30 \mu s$

Dimensions in mm

C: Cathode terminal (red sleeve)
 A: Anode terminal
 G: Gate terminal (yellow sleeve)
 HK: Auxiliary cathode terminal (red sleeve)

* Available with UNF thread (dimensions in parenthesis),

⁵⁾ Modified version. In the USA and Canada these types are available with the original TO-209 AC (TO-94) dimensions. TO-208 AD (TO-83) with flag terminals is also available.