



Process Sealed

**UL** US - E222871

## SPECIFICATIONS

Electrical Ratings	5A @ 120 VAC, 28VDC 2A @ 250VAC
Electrical Life	30,000 cycles typical
Contact Resistance	< 20 mΩ max initial @ 2-4VDC, 100mA
Dielectric Strength	1500Vrms min
Insulation Resistance	> 100MΩ min
Operating Temperature	-40°C to 85°C
Storage Temperature	-40°C to 85°C


## MATERIALS ←RoHS COMPLIANT

Actuator	6/6 Nylon, Glass Filled, Flame Retardant Heat Stabilized, UL94V-0
Housing	6/6 Nylon, Glass Filled, Flame Retardant Heat Stabilized, UL94V-0
Support Bracket	Brass, Tin Plated
Contacts	Copper Alloy, Silver or Gold Plated
Terminals	Copper Alloy, Silver or Gold Plated

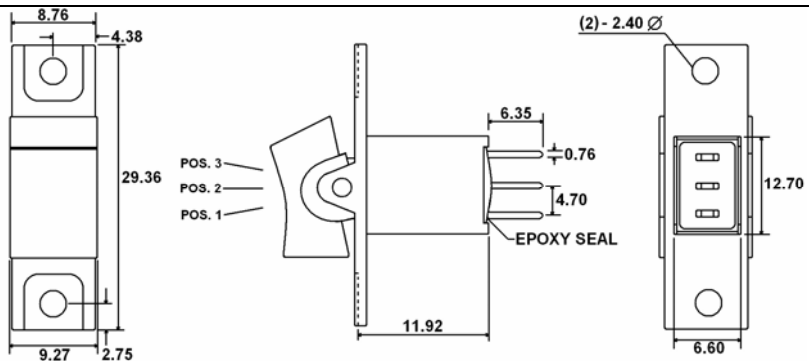
## ORDERING INFORMATION

<b>1. Series:</b> ASR	<b>ASR</b>	<b>1</b>	<b>3</b>	<b>R11</b>	<b>2</b>		<b>C</b>	<b>Q</b>
<b>2. Number of Poles:</b> 1 = SPDT 2 = DPDT 3 = 3PDT								
<b>3. Switch Function:</b> 1 = ON-NONE-ON 2 = ON-NONE-(ON) 3 = ON-OFF-ON 4 = (ON)-OFF-(ON) 5 = ON-OFF-(ON) 6 = ON-ON-ON ** See Three Way Wiring Section for Details								
<b>4. Actuator:</b> R11P / R11 = Rocker, PC Mount / Panel Mount R21P / R21 = Rocker, PC Mount / Panel Mount P13P / P13 = Paddle, PC Mount / Panel Mount P23P / P23 = Paddle, PC Mount / Panel Mount R15P = Rocker, PC Mount P43P = Paddle, PC Mount P47P = Paddle, PC Mount P48P = Paddle, PC Mount								
<b>5. Actuator Color:</b> 1 = White      4 = Orange      7 = Blue 2 = Black      5 = Yellow      8 = Brown 3 = Red      6 = Green      9 = Gray								
<b>6. Actuator Marking Style:</b> Blank = No Marking A, B, C, D, E, F, G								
<b>7. Actuator Marking Color:</b> Blank = No Marking, W = White (Standard), B = Black								
<b>8. Terminals:</b> B = Solder Lug, C = PC Pin, D = Quick Connect H = Horizontal Mount, Right Angle PC Pin; HS = Snap-in V = Vertical Mount, Right Angle PC Pin S20 = PC Pin with Support Bracket; V20 = Snap-in Support Bracket S25 = PC Pin with Support Bracket; V25 = Snap-in Support Bracket								
<b>9. Contacts:</b> Q = Silver Plated R = Gold Plated G = Gold over Silver Plated								

**SWITCH FUNCTION**

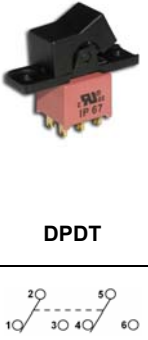


Function	Toggle Position		
1	ON	NONE	ON
2	ON	NONE	(ON)
3	ON	OFF	ON
4	(ON)	OFF	(ON)
5	ON	OFF	(ON)
<b>Terminals</b>	2-3	---	2-1

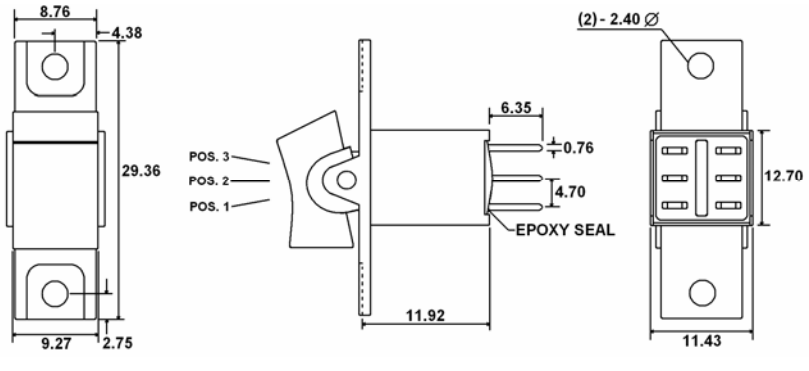


Dimensions: 8.76, 4.38, 29.36, 9.27, 2.75, 11.92, 6.35, 0.76, 4.70, 12.70, 6.60, (2) - 2.40 Ø.

Labels: POS. 3, POS. 2, POS. 1, EPOXY SEAL.

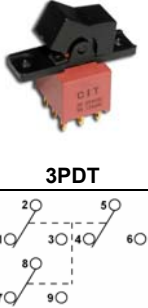


Function	Toggle Position		
1	ON	NONE	ON
2	ON	NONE	(ON)
3	ON	OFF	ON
4	(ON)	OFF	(ON)
5	ON	OFF	(ON)
<b>Terminals</b>	2-3	---	2-1
6	ON	ON	ON
<b>Terminals</b>	2-3 5-6	2-3 5-4	2-1 5-4

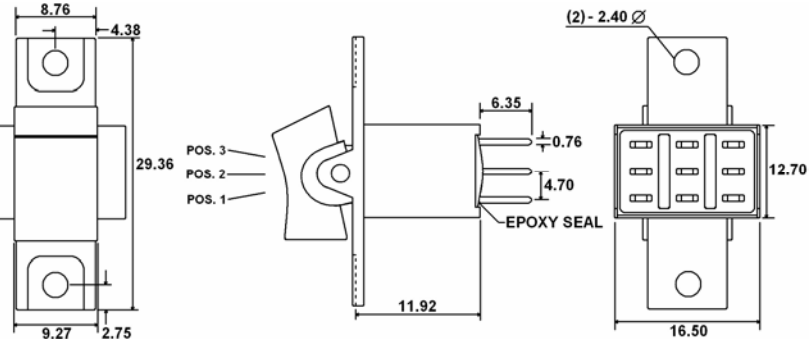


Dimensions: 8.76, 4.38, 29.36, 9.27, 2.75, 11.92, 6.35, 0.76, 4.70, 12.70, 11.43, (2) - 2.40 Ø.

Labels: POS. 3, POS. 2, POS. 1, EPOXY SEAL.



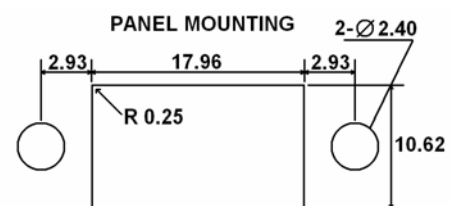
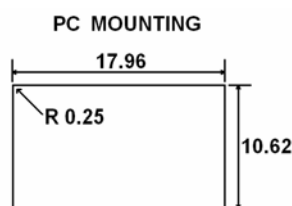
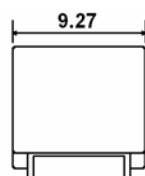
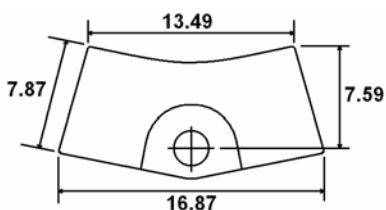
Function	Toggle Position		
1	ON	NONE	ON
2	ON	NONE	(ON)
3	ON	OFF	ON
4	(ON)	OFF	(ON)
5	ON	OFF	(ON)
<b>Terminals</b>	2-3 5-6 8-9	---	2-1 5-4 8-7



Dimensions: 8.76, 4.38, 29.36, 9.27, 2.75, 11.92, 6.35, 0.76, 4.70, 12.70, 16.50, (2) - 2.40 Ø.

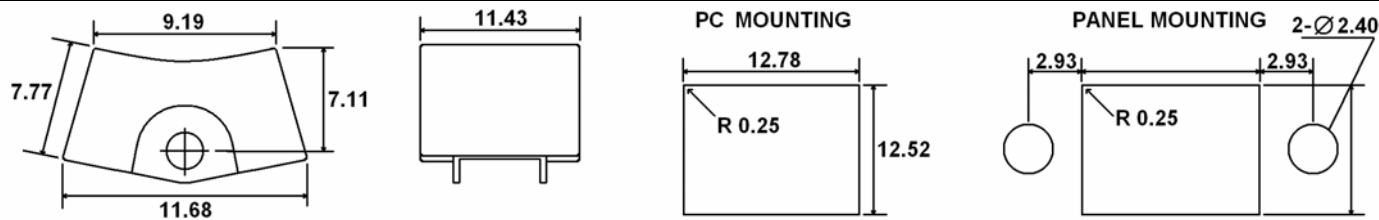
Labels: POS. 3, POS. 2, POS. 1, EPOXY SEAL.

**ACTUATOR OPTIONS (PC MOUNT / PANEL MOUNT)**  
**R11P / R11**

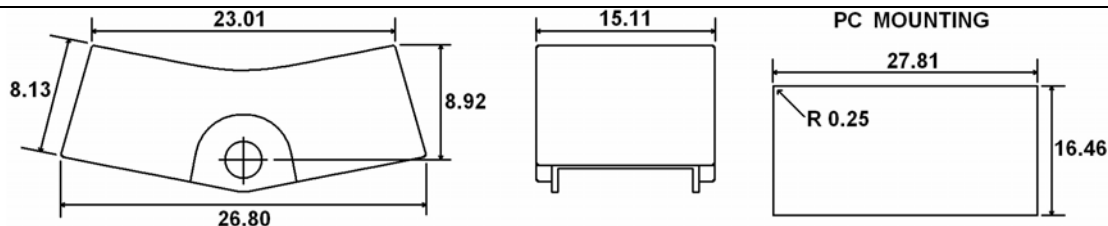


**ACTUATOR OPTIONS (PC MOUNT / PANEL MOUNT)**

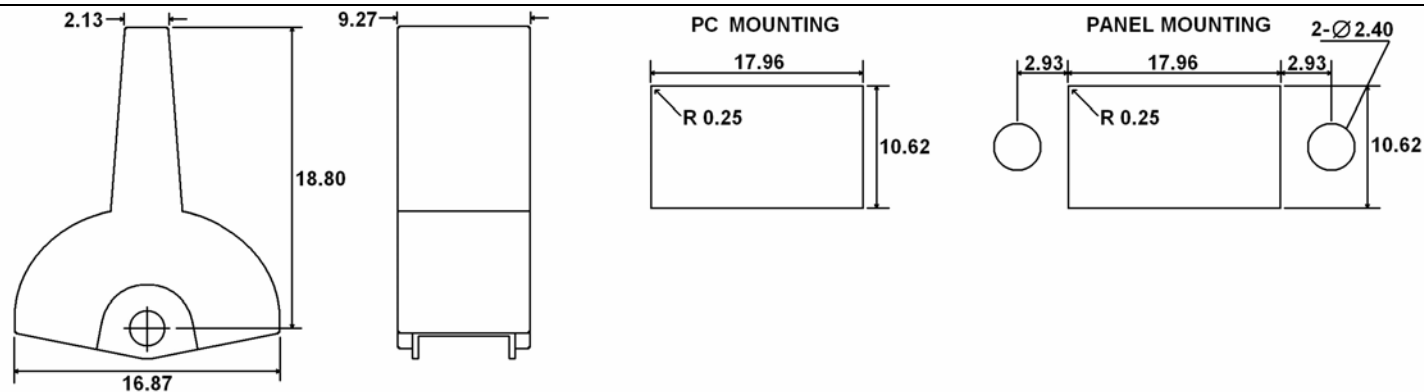
**R21P / R21**



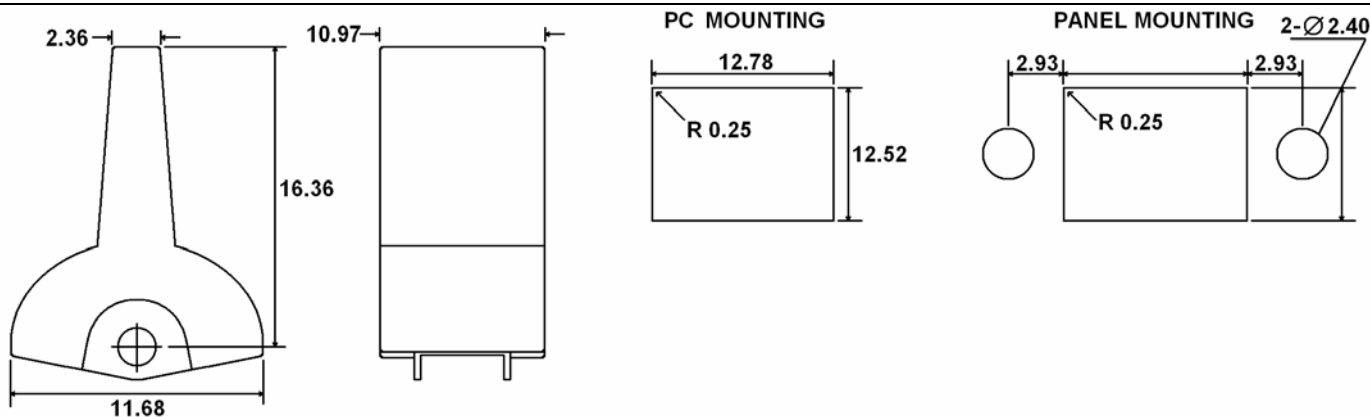
**R15P**



**P13P / P13**

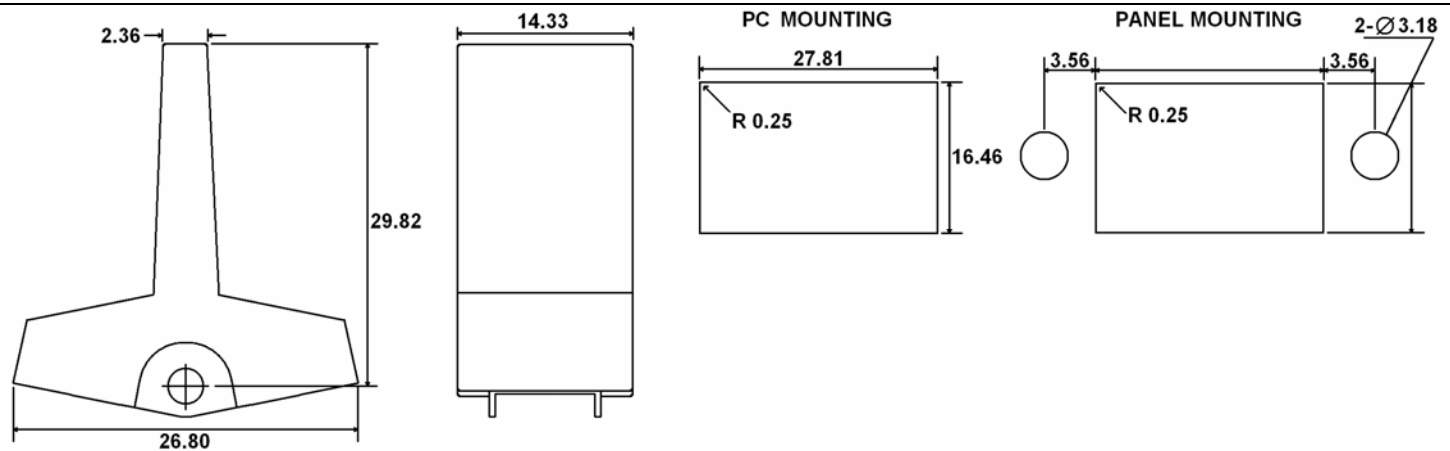


**P23P / P23**

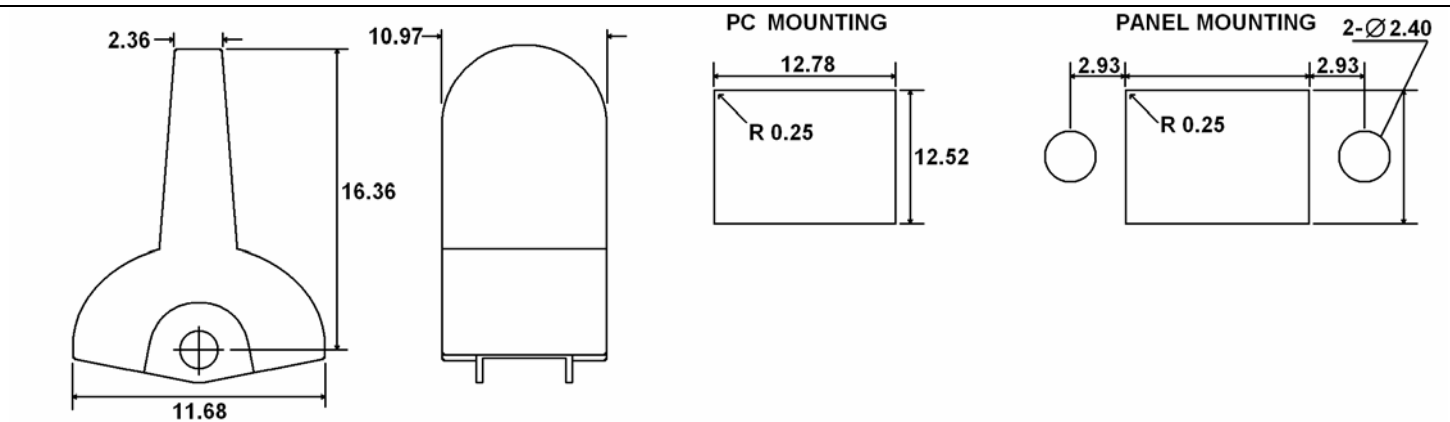


**ACTUATOR OPTIONS (PANEL MOUNT / PC MOUNT)**

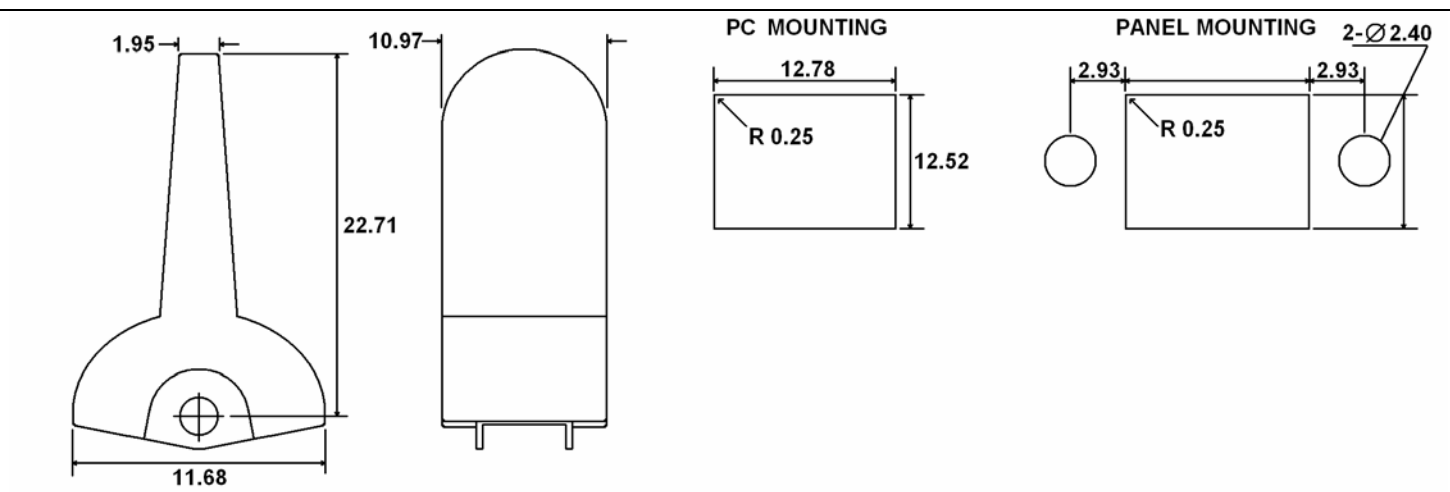
**P43P**



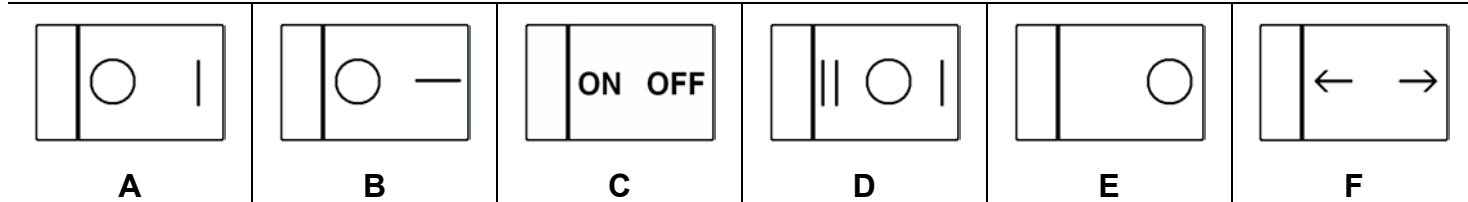
**P47P**



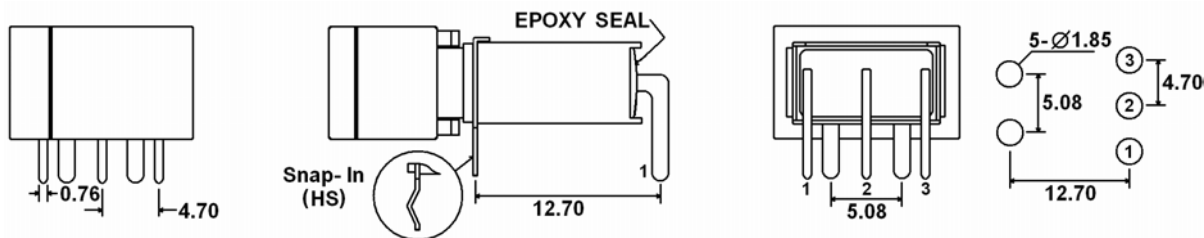
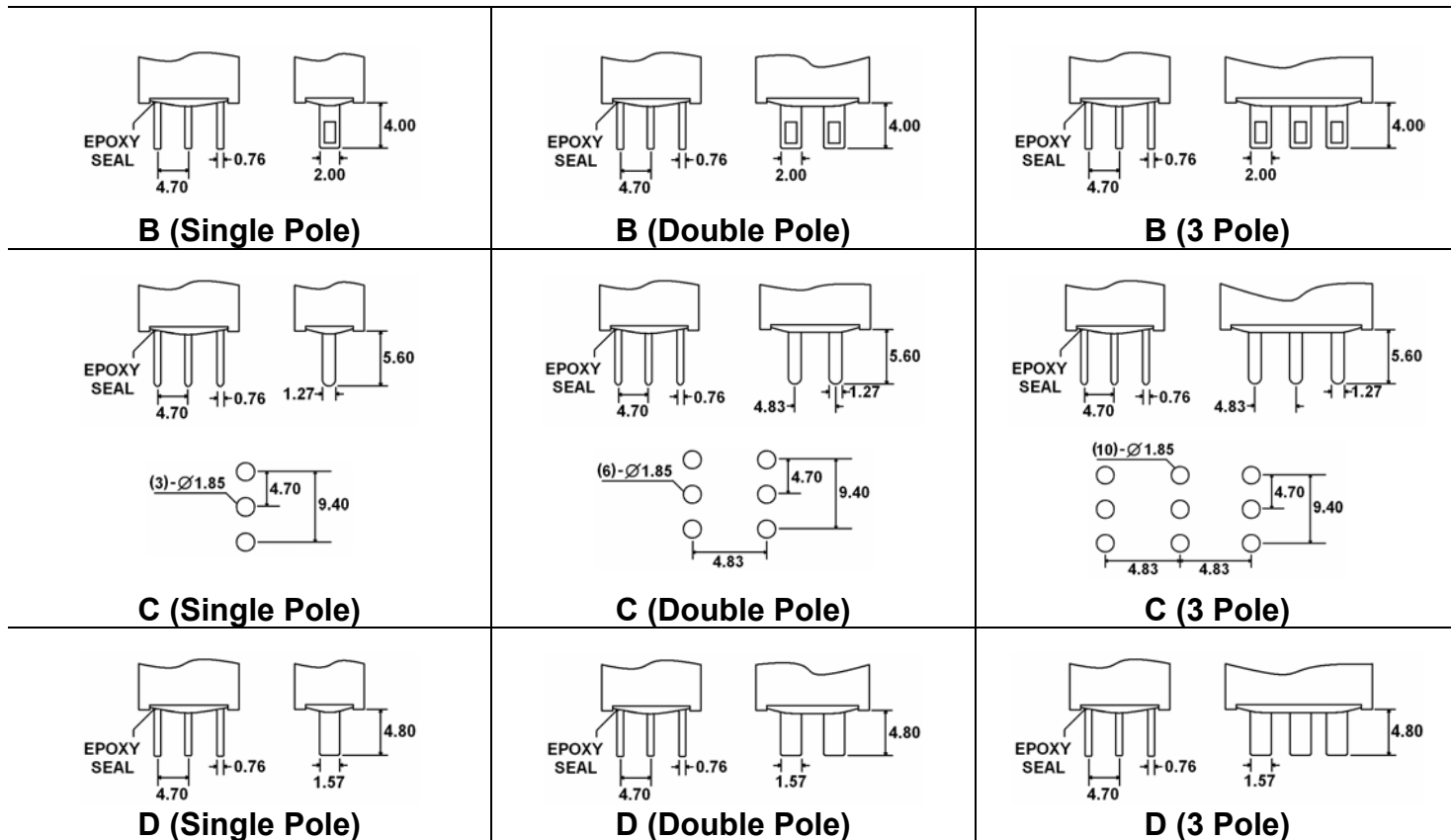
**P48P**



**ACTUATOR MARKINGS**

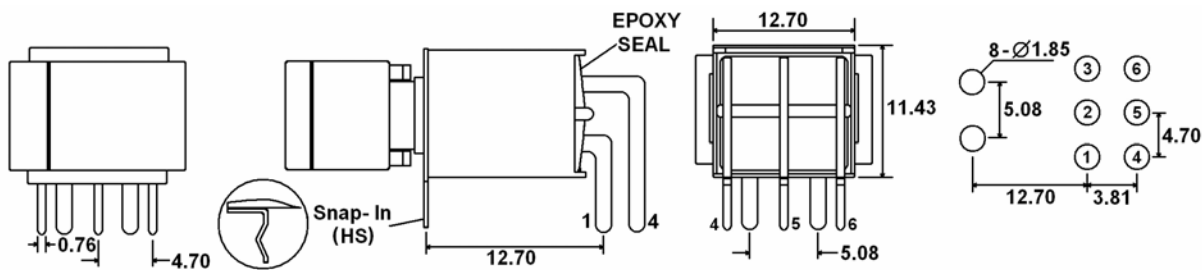


**TERMINAL OPTIONS**

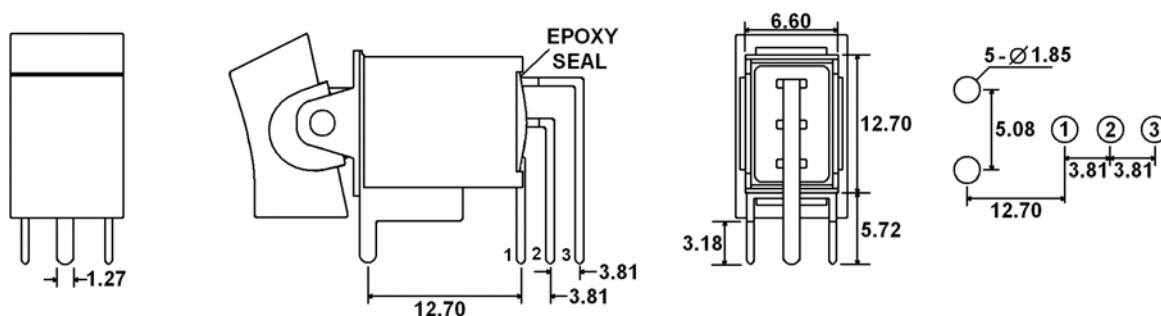


**H (HS – Snap-in) = Horizontal Mount, Right Angle PC Pins (Single Pole)**

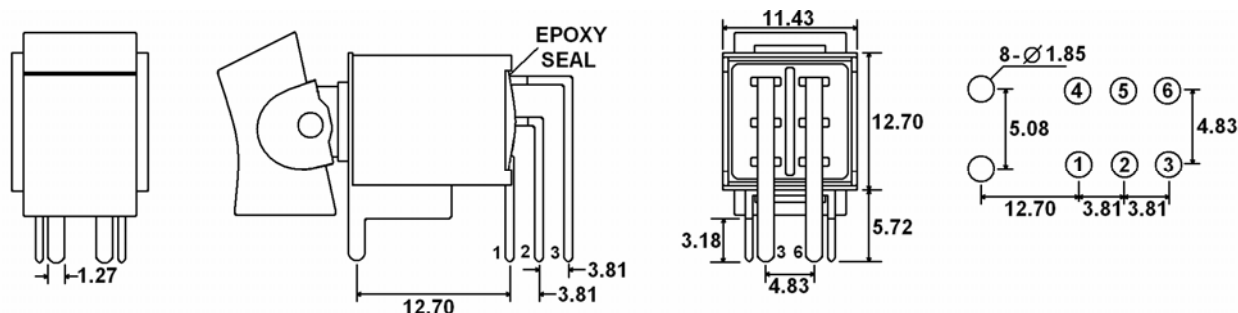
**TERMINAL OPTIONS**



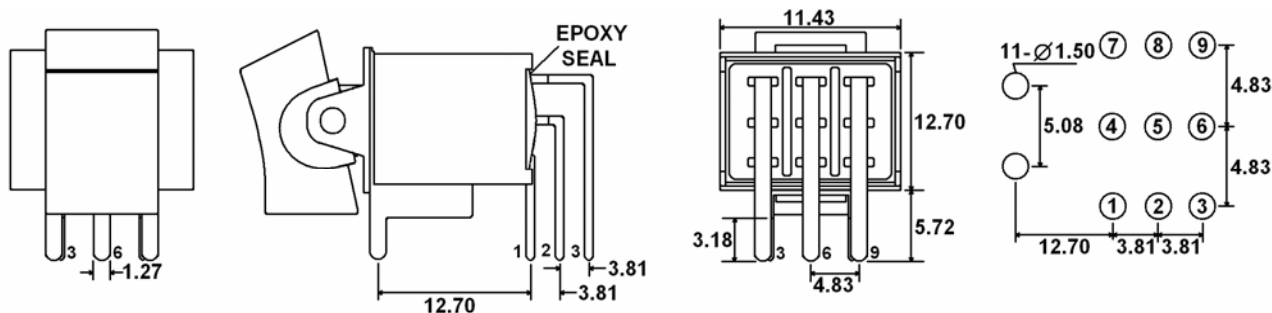
**H (HS – Snap-in) = Horizontal Mount, Right Angle PC Pins (Double Pole)**



**V = Vertical Mount, Right Angle PC Pins (Single Pole)**

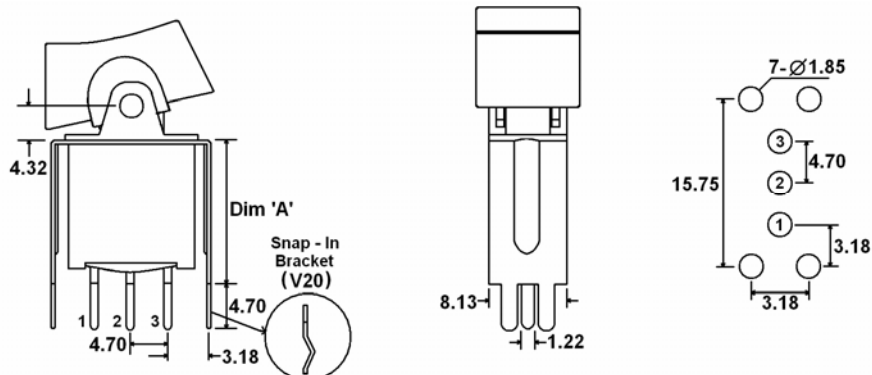


**V = Vertical Mount, Right Angle PC Pins (Double Pole)**



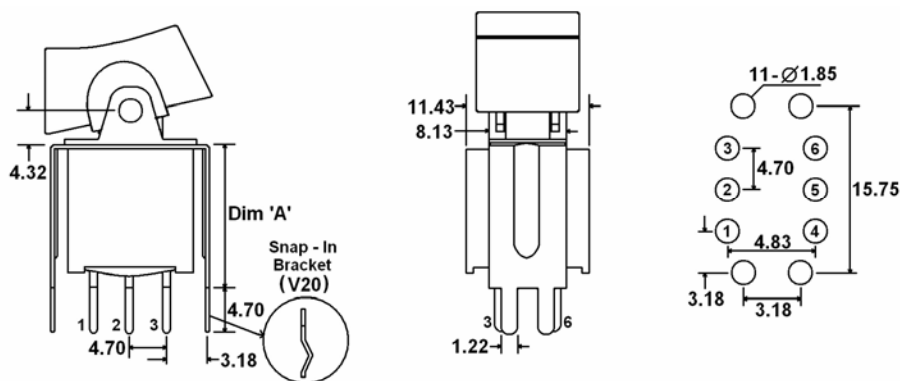
**V = Vertical Mount, Right Angle PC Pins (Three Pole)**

## TERMINAL OPTIONS



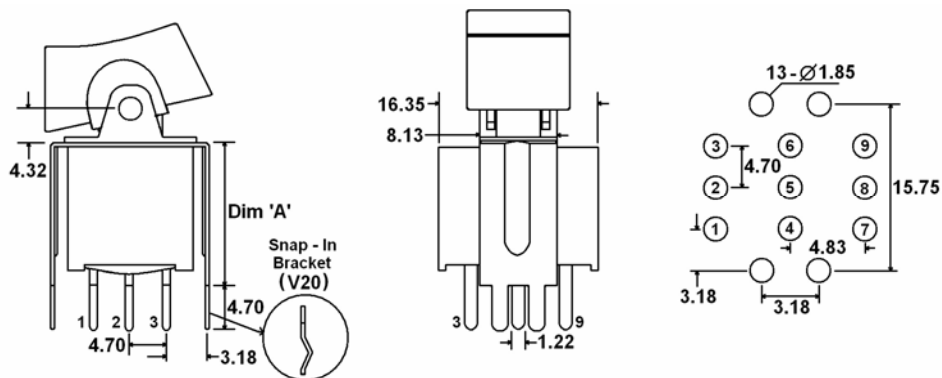
Terminal Option	"A" Dimension
S20-V20	11.68
S25-V25	16.00

**S20/S25 (V20/V25 – Snap-in Bracket) = PC Pins with Support Bracket (Single Pole)**



Terminal Option	"A" Dimension
S20-V20	11.68
S25-V25	16.00

**S20/S25 (V20/V25 – Snap-in Bracket) = PC Pins with Support Bracket (Double Pole)**



Terminal Option	"A" Dimension
S20-V20	11.68
S25-V25	16.00

**S20/S25 (V20/V25 – Snap-in Bracket) = PC Pins with Support Bracket (Three Pole)**

## CONTACT OPTIONS

Designator	Contact Material	Terminal Material	Electrical Ratings
Q	Silver Plating	Silver Plating	5A @ 120VAC, 28VDC; 2A @ 250VAC
R	Gold over Nickel Plating	Gold over Nickel Plating	.4 VA max @ 20VAC or VDC max
G	Gold over Silver Plating	Gold over Silver Plating	.4 VA max @ 20VAC or VDC max or 5A @ 120VAC, 28VDC; 2A @ 250VAC

## THREE WAY WIRING DIAGRAM

