

FEATURES

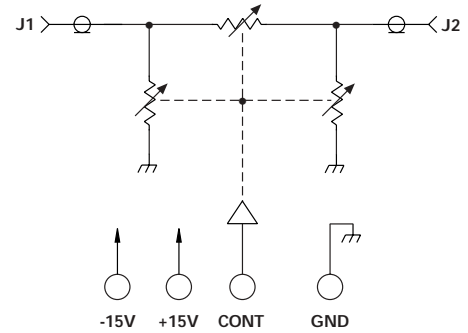
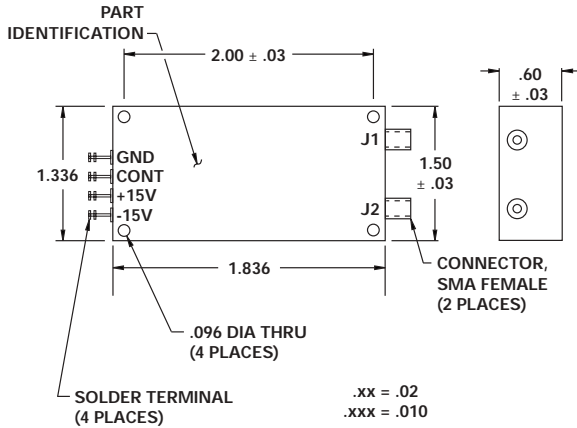
- 30 - 150 MHz
- 40 dB Linear Range
- Constant Phase vs. Attenuation
- SMA Connectors



MODEL NO.
100C1818

Phase Compensated
Linear PIN Diode VCA

VCA



GUARANTEED PERFORMANCE

Parameter	Min	Typ	Max	Units	Conditions
Operating Frequency	30		150	MHz	
DC Current		47	70	mA	At +15 VDC Supply
		43	70	mA	At -15 VDC Supply
Insertion Loss		3	4	dB	
Attenuation	Range	40	50	dB	Best Straight Line Fit From IL +2 dB to 40 dB
	Slope	12	15	dB/V	
	Linearity			±2	
Attenuation vs. Phase		±2.4	±5	DEG	Broadband At 60±5 MHz 25±5° C From 0 to 30 dB Atten.
		±.23	±1	DEG	
VSWR		1.25/1	1.35/1		
Impedance		50		OHMS	
Slew Rate		6		dB/μs	
Intercept Points	2nd	+45		dBm	60 MHz / 87 MHz
	3rd	+28		dBm	60 MHz / 43.5 MHz
RF Power	Operate		+10	dBm	0.1 dB Compression
	No Damage		+20	dBm	
Operating Temperature	-55	+25	+85	°C	TA

Note- Control Configuration: 0 to +5 Volts (at 5K Nominal Input Impedance)

