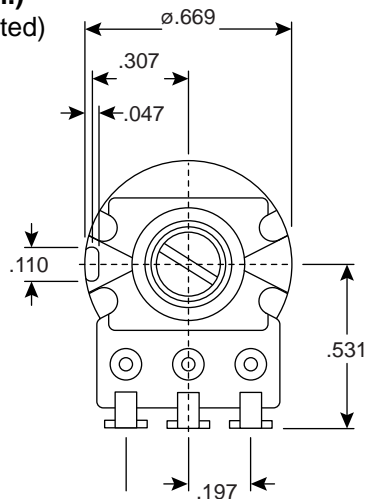
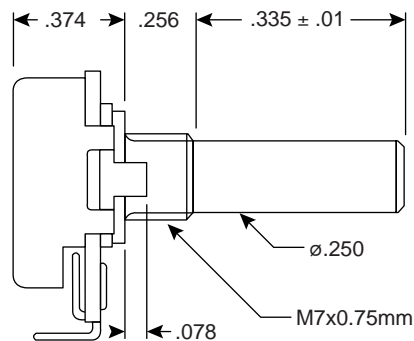


**Dimensions (In.)**  
(except where noted)



**Specifications:**

- Type: audio, 11 detent positions
- Rated wattage: 0.1W
- Rated Voltage: 200V
- Insulation resistance: >100MΩ @ 500VDC
- Withstand voltage: 500VAC, for 1 minute
- Rotational life: 15,000 cycles
- Element material: carbon
- Wiper tracking: ±10%
- Tolerance: ±20% nom.
- Rotational noise: 47mV
- End resistance: 20Ω, each end
- Shaft material: zinc alloy
- Case material: zinc plated steel
- Rotation angle: 300°±5°
- Rotation torque: 20-200gfm
- Shaft stop strength: 6Kgfcmin.
- Resistance taper: audio
- Values: 10K, 50K, 100K, 1M

