

Monolithic crystal filter

MQF41.44-0800/06



Application

- 4 pol filter
- i.f.- filter
- use in mobile and stationary transceivers

Limiting values

		Unit	Value
Nominal frequency	f_0	MHz	41.44
Insertion loss		dB	< 3.0
Pass band at 1.0dB		kHz	$\pm > 4$
Ripple in pass band	$f_0 \pm 4$ kHz	dB	< 1.0
Stop band attenuation	$f_0 \pm 30$ kHz	dB	> 60
Alternate attenuation	0.4MHz... f_0 -2.93MHz	dB	> 60
	f_0 -2.93...-2.83MHz	dB	> 80
Spurious responses		dB	> 40
IMD at input level -6 dBm	$f_0 \pm 30$; $f_0 \pm 60$ kHz	dB	> 71
Maximum input level	without damage	dBm	+20

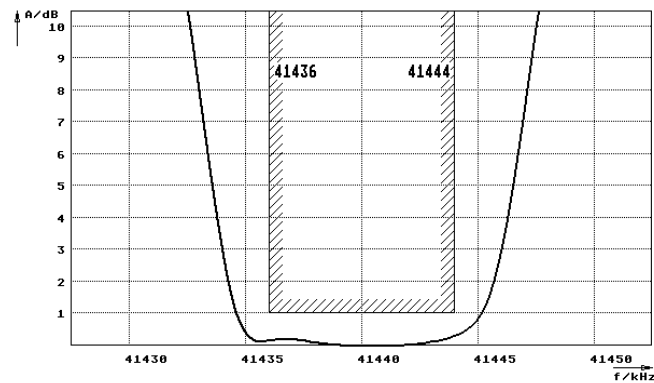
Terminating impedance Z

R1 C1	Ohm/pF	50 0
R2 C2	Ohm/pF	50 0

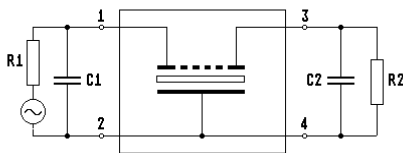
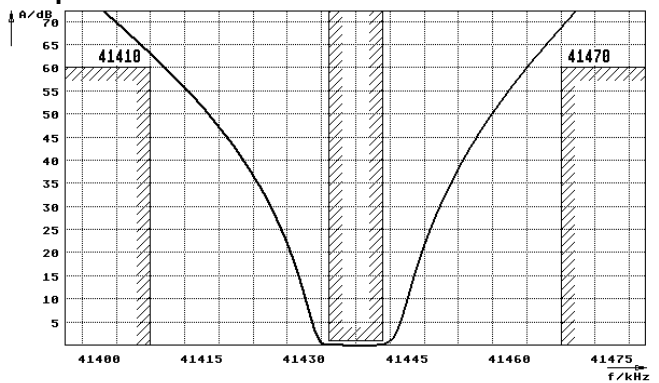
Operating temp. range	°C	-25... +70
-----------------------	----	------------

Characteristics MQF41.44-0800/06

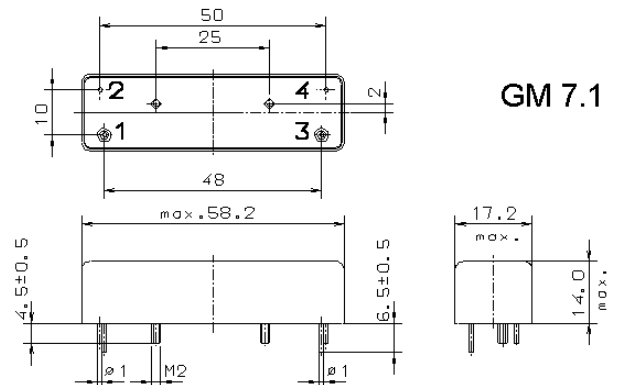
Pass band



Stop band



- Pin connections:
- | | |
|---|---------------|
| 1 | Input |
| 2 | Ground-Input |
| 3 | Output |
| 4 | Ground-Output |



GM 7.1