



PM/P/P Cores Halves/EP/TT/PR Cores

Series/Type: P 14 x 8

The following products presented in this data sheet are being withdrawn.

Ordering Code	Substitute Product	Date of Withdrawal	Deadline Last Orders	Last Shipments
B65541D0000R026	B65541D0000R048	2002-08-02	2002-12-31	2003-03-31
B65542A50020000		2003-08-08	2005-03-31	2005-09-30
B65542A50000000		2004-10-18	2005-03-31	2005-09-30
B65549E0003X101	B65549E0004X23	2003-08-08	2004-02-29	2004-08-31

For further information please contact your nearest EPCOS sales office, which will also support you in selecting a suitable substitute. The addresses of our worldwide sales network are presented at www.epcos.com/sales.



P 14 × 8

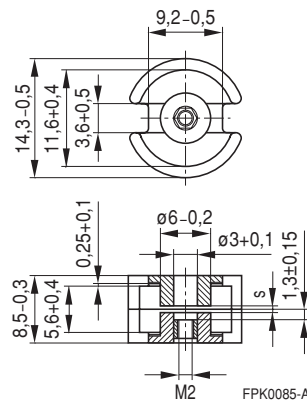
Core

B65541

- In accordance with IEC 60133
- Pot cores are supplied in sets

Magnetic characteristics (per set)

	with center hole	without center hole	
$\Sigma l/A$	0,8	0,73	mm ⁻¹
l_e	20	21	mm
A_e	25	28,7	mm ²
A_{min}	20	23,6	mm ²
V_e	500	603	mm ³



Approx. weight (per set)

<i>m</i>	3,2	3,5	g

Gapped

Material	A_L value nH	<i>s</i> approx. mm	μ_e	Ordering code ¹⁾ -D with center hole -T with threaded sleeve
M33	100 ± 3 %	0,30	64	B65541-+100-A33
N48	160 ± 3 %	0,16	102	B65541-+160-A48
	250 ± 3 %	0,10	159	B65541-+250-A48
	315 ± 3 %	0,08	201	B65541-+315-A48
	400 ± 3 %	0,05	255	B65541-+400-A48

Ungapped

Material	A_L value nH	μ_e	A_{L1min} nH	P_V W/set	Ordering code -D with center hole -W w/o center hole
K1	140 + 30/- 20 %	89			B65541-D-R1
M33	970 + 30/- 20 %	617			B65541-D-R33
N26	2300 + 30/- 20 %	1460			B65541-D-R26
N30	4600 + 30/- 20 %	2670			B65541-W-R30
T38	9800 + 40/- 30 %	5690			B65541-W-Y38
N87	2800 + 30/- 20 %	1630	1550	< 0,26 (200 mT, 100 kHz, 100 °C)	B65541-W-R87
N41	3300 + 30/- 20 %	1940	1940	< 0,09 (200 mT, 25 kHz, 100 °C)	B65541-W-R41

1) Replace the + by the code letter "D" or "T" for the required version.



P 14 × 8

Accessories

B65542

Coil former

Standard: to IEC 60133

Material: GFR polyterephthalate (UL 94 V-0, insulation class to IEC 60085:

F \triangleq max. operating temperature 155 °C), color code black

Winding: see "Processing Notes", page 155

Insulating washer 1 between core and coil former

■ For tolerance compensation and for insulation

■ Polycarbonate spring washer (UL 94 V-0, insulation class to IEC 60085: E \triangleq 120 °C), 0,04 mm thick

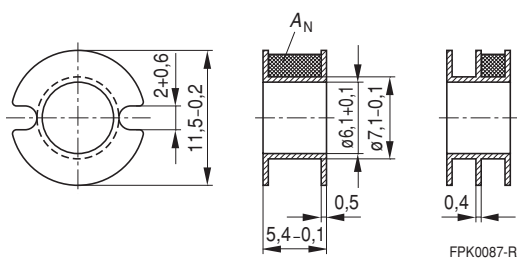
Insulating washer 2 between core and terminal carrier

■ For increased dielectric strength

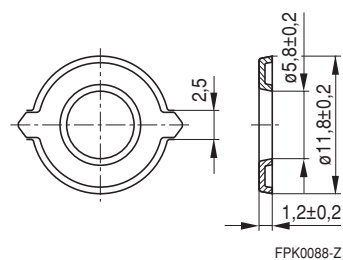
■ Made of polycarbonate (UL 94 V-0, insulation class to IEC 60085: E \triangleq 120 °C), 0,08 mm thick

Coil former				Ordering code
Sections	A_N mm ²	l_N mm	A_R value $\mu\Omega$	
1	8,4	28	115	B65542-B-T1
2	7,6	28	127	B65542-B-T2
Insulating washer 1 (reel packing, PU = 1 reel)				B65542-A5000
Insulating washer 2 (bulk)				B65542-A5002

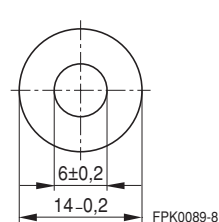
Coil former



Insulating washer 1



Insulating washer 2





P 14 × 8

Accessories

B65545

Mounting assembly for printed circuit boards

- The set comprises a terminal carrier and a yoke
- For snap-in connection

Terminal carrier

Material: GFR polyterephthalate (UL 94 V-0, insulation class to IEC 60085:

F $\hat{=}$ max. operating temperature 155 °C), color code black

Solderability: to IEC 60068-2-20, test Ta, method 1 (aging 3): 235 °C, 2 s

Resistance to soldering heat: to IEC 60068-2-20, test Tb, method 1B: 350 °C, 3,5 s

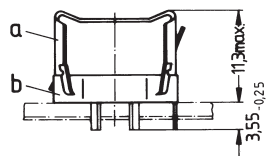
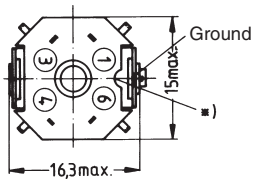
Yoke

Spring yoke, made of tinned nickel silver (0,25 mm), with ground terminal

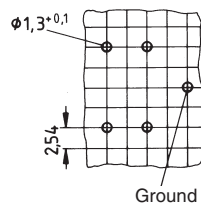
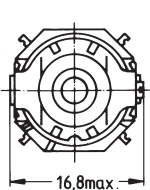
Complete mounting assembly
(4 solder terminals)
Ordering code: B65545-B9

Complete mounting assembly
(6 solder terminals)
Ordering code: B65545-B10

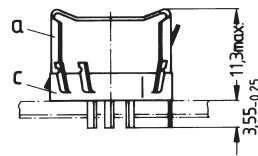
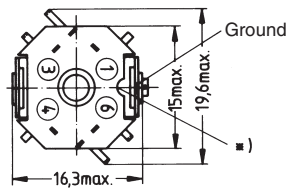
4 solder terminals



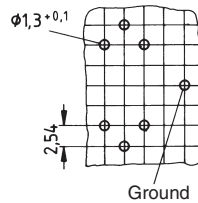
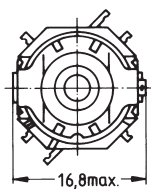
Hole arrangement
View in mounting
direction



6 solder terminals



Hole arrangement
View in mounting
direction



FPK0090-B

*) This recess must be on the side of the grounding pin to ensure that the yoke locks in position.

a) Yoke

b) Terminal carrier with 4 solder terminals

c) Terminal carrier with 6 solder terminals



P 14 × 8

B63399

Accessories

B65549

Adjusting screw

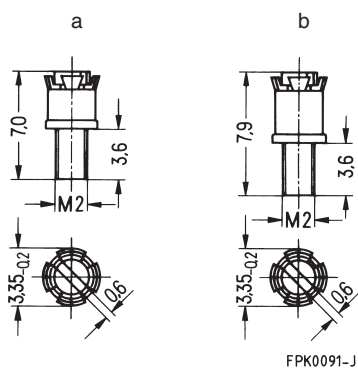
■ Tube core with thread and core brake made of GFR polyterephthalate

Plastic **adjusting screwdriver** (not shown)

Plastic **handle** for adjusting screwdriver (not shown)

Core P 14 × 8		Adjusting screw				Min. adjusting range %	Ordering code
Material	A _L value nH	Fig.	∅ × length mm	Material	Color code		
M 33	40	a	2,6 × 2,0	Si 1	green	15	B65549-E3-X101
N 48	160	b	2,76 × 2,9			20	B65549-E4-X23
	250					12	
	315					11	
	400					6	
Adjusting screwdriver							B63399-B4
Handle							B63399-B5

Adjusting screw



Herausgegeben von EPCOS AG

Marketing Kommunikation, Postfach 80 17 09, 81617 München, DEUTSCHLAND

© EPCOS AG 2000. Alle Rechte vorbehalten. Vervielfältigung, Veröffentlichung, Verbreitung und Verwertung dieser Broschüre und ihres Inhalts ohne ausdrückliche Genehmigung der EPCOS AG nicht gestattet.

Mit den Angaben in dieser Broschüre werden die Bauelemente spezifiziert, keine Eigenschaften zugesichert. Bestellungen unterliegen den vom ZVEI empfohlenen Allgemeinen Lieferbedingungen für Erzeugnisse und Leistungen der Elektroindustrie, soweit nichts anderes vereinbart wird.

Diese Broschüre ersetzt die vorige Ausgabe.

Fragen über Technik, Preise und Liefermöglichkeiten richten Sie bitte an den Ihnen nächstgelegenen Vertrieb der EPCOS AG oder an unsere Vertriebsgesellschaften im Ausland.

Bauelemente können aufgrund technischer Erfordernisse Gefahrstoffe enthalten. Auskünfte darüber bitten wir unter Angabe des betreffenden Typs ebenfalls über die zuständige Vertriebsgesellschaft einzuholen.

Published by EPCOS AG

Marketing Communications, P.O. Box 80 17 09, 81617 Munich, GERMANY

© EPCOS AG 2000. All Rights Reserved. Reproduction, publication and dissemination of this brochure and the information contained therein without EPCOS' prior express consent is prohibited.

The information contained in this brochure describes the type of component and shall not be considered as guaranteed characteristics. Purchase orders are subject to the General Conditions for the Supply of Products and Services of the Electrical and Electronics Industry recommended by the ZVEI (German Electrical and Electronic Manufacturers' Association), unless otherwise agreed.

This brochure replaces the previous edition.

For questions on technology, prices and delivery please contact the Sales Offices of EPCOS AG or the international Representatives.

Due to technical requirements components may contain dangerous substances. For information on the type in question please also contact one of our Sales Offices.