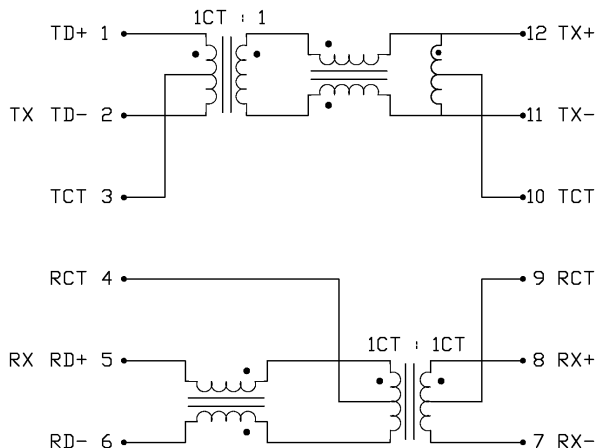


THE INFORMATION CONTAINED HEREIN IS CONSIDERED "PROPRIETARY" TO BEL FUSE INC. AND SHALL NOT BE COPIED, REPRODUCED OR DISCLOSED WITHOUT THE WRITTEN APPROVAL OF BEL FUSE INC.

ELECTRICAL CHARACTERISTICS @ 25°C



SCHEMATIC



TURNS RATIO
 Tx (1-3-2) : (12-11)
 Rx (5-4-6) : (8-9-7)
 1CT : 1
 1CT : 1CT
 PHASING
 1 TO 12 ; 5 TO 8
 OCL
 Tx (12-11)
 Rx (8-7)
 400uH MIN. @ 100kHz, 100mV
 WITH 8mA DC BIAS

INSERTION LOSS
 RECEIVE
 100kHz - 60MHz 0.6dB MAX.
 60MHz - 100MHz 1.0dB MAX.
 100MHz - 140MHz 3.0dB MAX.
 TRANSMIT
 100kHz - 10MHz 0.5dB MAX.
 10MHz - 60MHz 0.6dB MAX.
 60MHz - 100MHz 1.0dB MAX.
 100MHz - 140MHz 3.0dB MAX.

RETURN LOSS
 UNDER 100 Ohms ±15 ENVIRONMENT
 1MHz - 30MHz 18dB MIN.
 30MHz - 60MHz 16dB MIN.
 60MHz - 80MHz 12dB MIN.

COMMON TO COMMON MODE REJ
 100kHz - 30MHz 50dB MIN.
 30MHz - 100MHz 30dB MIN.

CROSSTALK
 100kHz 35dB MIN.
 1MHz 50dB MIN.
 30MHz - 60MHz 40dB MIN.
 100MHz 35dB MIN.

DIFF TO COM MODE REJ
 30MHz 42dB MIN.
 60MHz 37dB MIN.
 100MHz 33dB MIN.
 200MHz 25dB MIN.

HIPOT PER HAND-WORK-03

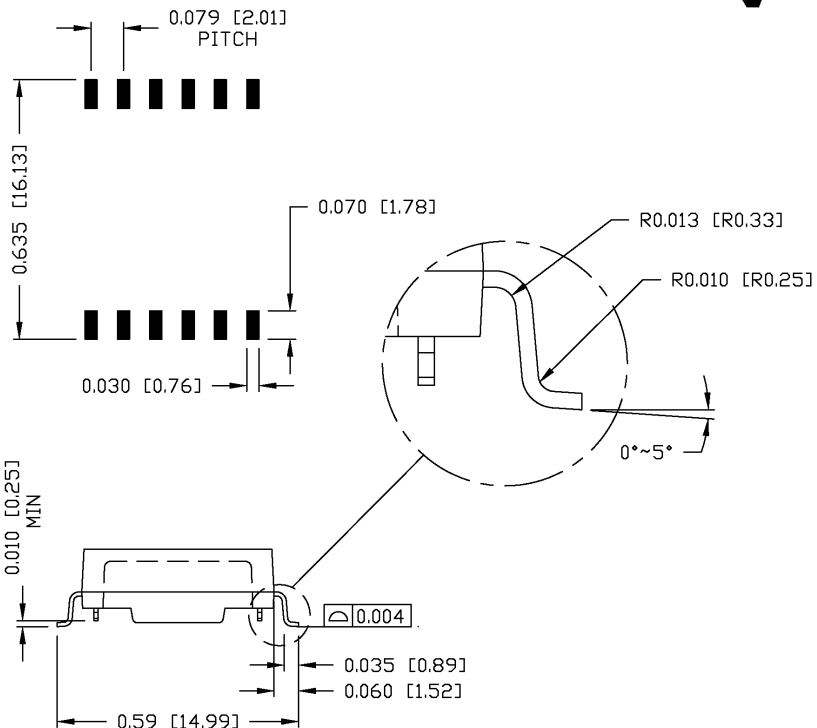
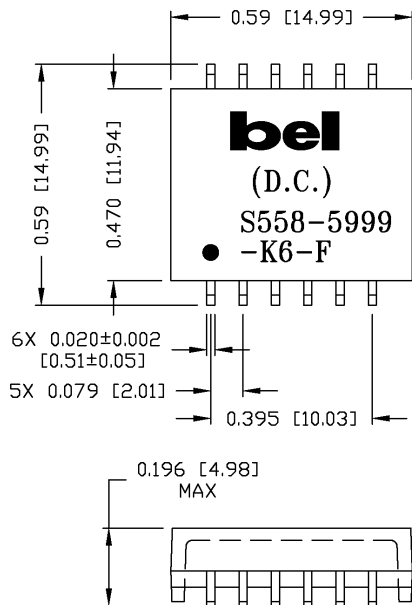
ORIGINATED BY	DATE	TITLE	PART NO. / DRAWING NO.	STANDARD DIM. TOL. IN INCH	[] METRIC DIM. AS REFERENCE
HD	06-07-05	10/100BT MAGNETICS MODULE S558-5999-K6-F	X5585999K6-F	.X	UNIT : INCH [mm] REV. : A
DRAWN BY	DATE		FILE NAME	.XX	SCALE : N/A SIZE : A4
DQ Chen	06-07-05		X5585999K6FA.DWG	.XXX	PAGE : 2



THE INFORMATION CONTAINED HEREIN IS CONSIDERED
 "PROPRIETARY" TO BEL FUSE INC. AND SHALL NOT BE
 COPIED, REPRODUCED OR DISCLOSED WITHOUT THE
 WRITTEN APPROVAL OF BEL FUSE INC.



SUGGESTED PCB PAD LAYOUT



NOTES:

- STANDARD MARKING REFER TO DDC. HAND-WORK-04.
- PACKAGE CODE: "RTS001".

ORIGINATED BY	DATE	TITLE	PART NO. / DRAWING NO.	STANDARD DIM.	[] METRIC DIM. AS REFERENCE	 <small>COMPONENTS FOR A CONNECTED PLANET</small>
HD	06-07-05	MECHANICAL OUTLINE S558-5999-K6-F	X5585999K6-F	TOL. IN INCH	UNIT : INCH [mm] REV. : A	
DRAWN BY	DATE		FILE NAME	.X	SCALE : N/A	
DQ Chen	06-07-05	X5585999K6FA.DWG	.XX ±0.01	SCALE : N/A	PAGE : 3	
				.XXX ±0.005		