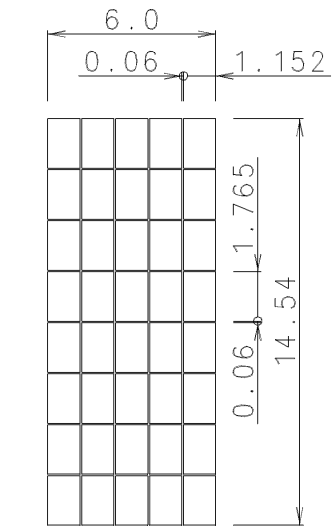
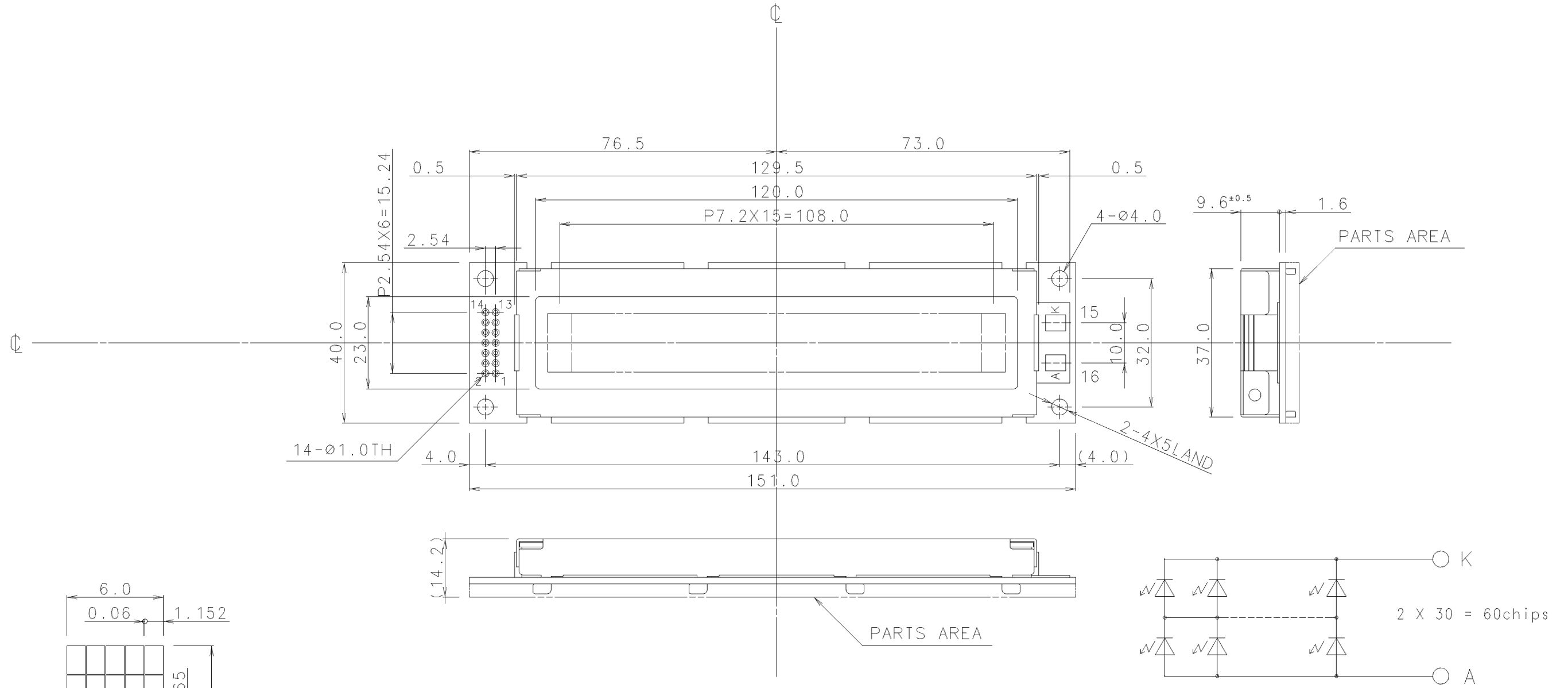




ISSUE	REVISIONS	DRAWN	APPROVED	DATE
^				

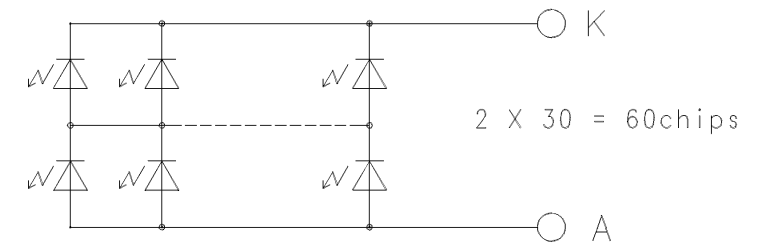


CN1 PIN ASSIGNMENT

PIN NO.	SYMBOL	PIN NO.	STMBOL
1	VSS	8	DB1
2	VDD	9	DB2
3	VEE	10	DB3
4	RS	11	DB4
5	R/W	12	DB5
6	E	13	DB6
7	DB0	14	DB7
		15	LED CATHODE
		16	LED ANODE

NOTES

- 1 TOLERANCE OF ALL DIMENSIONS ARE 'CLASS B' UNLESS OTHERWISE NOTIFIDE.
- 2 UNITS IN M/M.



MEASURE	TOLERANCE			THIRD ANGLE PROJECTION	DATE	OPTREX CORPORATION
	A	B	C			
L≤16	±0.1	±0.3	±1	UNIT mm	Aug 8. '87	TITLE DIMENSIONAL OUTLINE
16<L≤63	±0.2	±0.5	±1.5			
63<L≤250	±0.3	±0.8	±2	SCALE 1:1	CHECKED T.Ohyama	CODE DMC16188LED Series
250<L≤500	±0.5	±1.2	±3			
500<L	±0.8	±2	±4	DRAWN K.Shimazu	DWC NO	UE-31545
ANGLE	±1°	±5°	±10°			