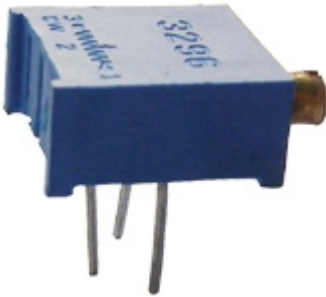


Model(型號): **ROTARY POTENTIOMETER-----WR3296P**

[Download PDF file](#)



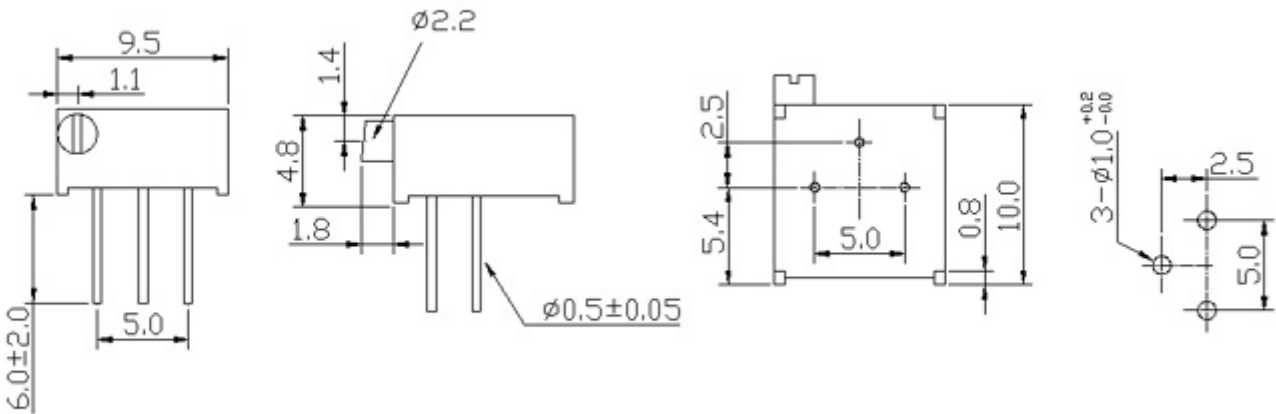
**Features:(特點):**

Measuring equipment, cMany models are available.High performance and high dependability.  
Automatic adjustment (with automatically adjustable driver)possible.  
Being of sealed structure,the potentiometimeters may be cleane with a variety of cleanign liquids.  
Easy adjustment by large diameter shaft.  
The adjustable screwdriver available i the commercial market can be used.

**Applications(作用):**

Measuring equipment,communication device,industrial machines,high requirements for environmet.

Dimensions(規格圖):



**Specifications(規格)**

ITEMS[項目]	WR3006	WR3266	WR3296	WR3329	WR3362	WR3386
<b>Electrical Characteristics [ 電氣性能 ]</b>						
Total resistance [ 全阻抗值 ]	100Ω~1MΩ					
Total resistance tolerance [ 全阻抗值容許差 ]	±10% or ±20%					
Ratings power(w) [ 額定功率 ]	0.75W	0.25W	0.5W	0.5W	0.5W	0.5W
Restings taper[阻抗變化特性]	(JIS)B					
Residual resistance [ 殘留阻值 ]	R<=1KΩ:10Ω; R>1KΩ:1%RΩ [R=Total resistance]					
Withstanding voltage [ 耐電壓 ]	630V AC	500V AC	500V AC	500V AC	640V AC	600V AC
<b>Mechanical Characteristics [ 機械性能 ]</b>						
Operation torque [ 回轉力矩 ]	30~350gf . cm					
Total rotational angle [ 回轉角度 ]	22±5 turns	12±2 turns	28±5 turns	280° ±10°	250° ±10°	300° ±10°
<b>Endurance Characteristics [ 耐久性能 ]</b>						
Rotational life [ 回轉壽命 ]	200 cycles					