

Ceramic Singlelayer Tubular Capacitor Sets

DESIGN:

Tubular capacitor set completely lacquered (MDLL)
 Tubular capacitor set with brown phenol resin coating, impregnated (MDLT)

RATED VOLTAGE U_R :

MDL. 02. / MDL. 03. : 400V_{DC} (280V_{RMS})
 MDL. 04. : 700V_{DC} (500V_{RMS})

DIELECTRIC STRENGTH BETWEEN LEADS:

MDL. 02. / MDL. 03. : 1250V_{DC} 1s
 MDL. 04. : 1550V_{DC} 1s

DISSIPATION FACTOR $\tan \delta$:

See General Information

INSULATION RESISTANCE R_{IS} :

$\geq 1 \cdot 10^{10} \Omega$

CATEGORY TEMPERATURE RANGE ϑ_A :

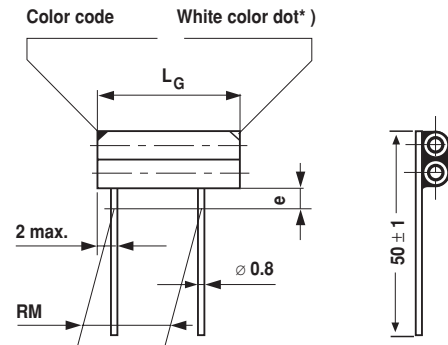
(- 55 to + 125)°C

CLIMATIC CATEGORY ACC. TO EN 60068-1:

MDLL 40 / 085 / 21
 MDLT 55 / 085 / 56

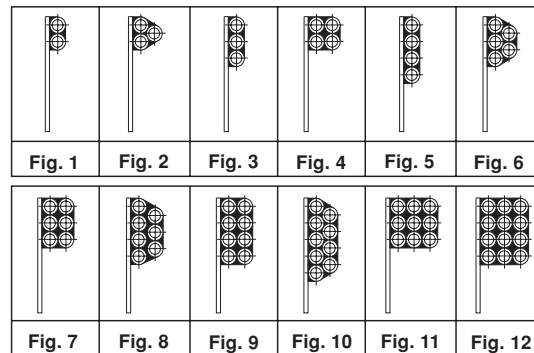
MARKING:

Capacitance value, Tolerance letter,
 Rated Voltage (MDL 04. only)
 Ceramic dielectric color code



• Dimensions in mm

*additional white color dot at the outer electrode terminals indicates narrow α -tolerance



CERAMIC DIELECTRIC	CAPACITANCE VALUES (pF) AT NOMINAL TUBE DIAMETER AND LENGTH L (mm)														
	Ø 2mm	10	12	14	16	20									
	Ø 3mm	10	12	14	16	20	25	30							
Ø 4mm					16	20	25	30	40						
P 100	Values of capacitance result from the individual tubes on the previous pages Capacitor sets are available with the following α -tolerances <table style="float: right; margin-left: 20px;"> <tr> <td>MDL. 02..</td> <td>- Class 1B</td> </tr> <tr> <td>MDL. 03..</td> <td>- Class 1B and Class 1A</td> </tr> <tr> <td>MDL. 04..</td> <td>- Class 1B</td> </tr> </table>									MDL. 02..	- Class 1B	MDL. 03..	- Class 1B and Class 1A	MDL. 04..	- Class 1B
MDL. 02..										- Class 1B					
MDL. 03..										- Class 1B and Class 1A					
MDL. 04..										- Class 1B					
NP 0															
N 033															
N 075															
N 150															
N 220															
N 330															
N 470															
N 750															
Lead spacing RM (mm)	5 ± 0.7	7.5 ± 0.7	7.5 ± 0.7	10 ± 0.7	15 ± 0.7	17.5 ± 0.7	20 ± 0.7	30 ± 0.7							

Capacitance Tolerances: ± 1%, ± 2%, ± 5%, ± 10%, ± 20%

ORDERING INFORMATION

MDLT 0330	400V _{DC}	FIG. 4	1600pF	± 20%	N 750 / 1A
-----------	--------------------	--------	--------	-------	------------