

# IS27HC512

## 65,536 x 8 HIGH-SPEED CMOS EPROM

NOVEMBER 1997

### FEATURES

- Fast access time: 45 ns
- Pin compatible with the IS27C512
- Low power consumption
  - 50  $\mu$ A CMOS standby
- Industrial and commercial temperature ranges available
- High-speed write programming
  - Typically less than eight seconds
- 5  $\pm$ 10% power supply tolerance available
- JEDEC-approved pinout
- Standard 28-pin DIP, and TSOP, and 32-pin PLCC packages

### DESCRIPTION

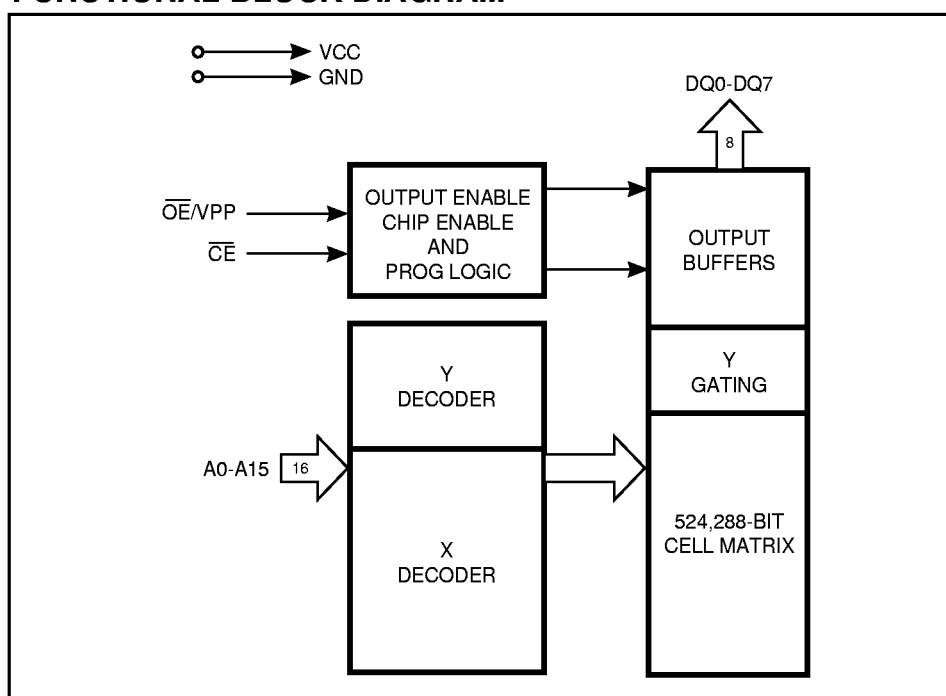
The *ISSI* IS27HC512 is an ultra-high-speed 512K-bit CMOS Programmable Read-Only Memory. It utilizes the standard JEDEC pinout making it functionally compatible with the IS27C512, but with significantly fast access capability. This superior random access capability results from a focused high-speed design. This offers users bipolar speeds with higher density, lower cost and proven reliability.

The device is ideal for use with the faster processors. This IS27HC512 completely eliminates performance-draining wait states without using bank-interleaving and caching techniques. Designers may take full advantage of high-speed digital signal processors and microprocessors by allowing code to be executed at full speed directly out of EPROM. Typical applications include laser printers, switching networks, graphics, workstations, high-speed modems, and digital signal processing.

The IS27HC512 uses *ISSI's* write programming algorithm which allows the entire chip to be programmed in typically less than thirty seconds.

This product is available in One-Time Programmable (OTP) PDIP, PLCC, and TSOP packages over commercial and industrial temperature ranges.

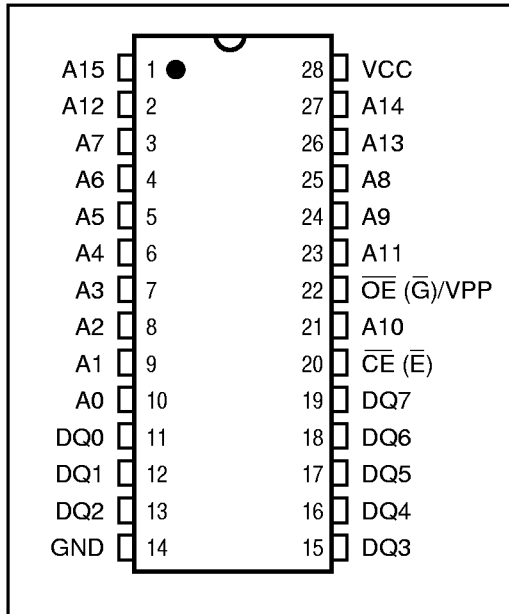
### FUNCTIONAL BLOCK DIAGRAM



ISSI reserves the right to make changes to its products at any time without notice in order to improve design and supply the best possible product. We assume no responsibility for any errors which may appear in this publication. © Copyright 1997, Integrated Silicon Solution, Inc.

**PIN CONFIGURATIONS**

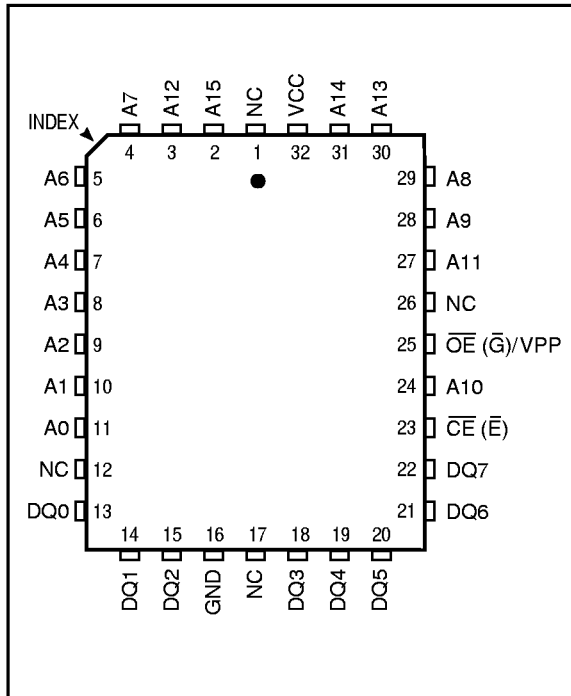
**28-Pin DIP**



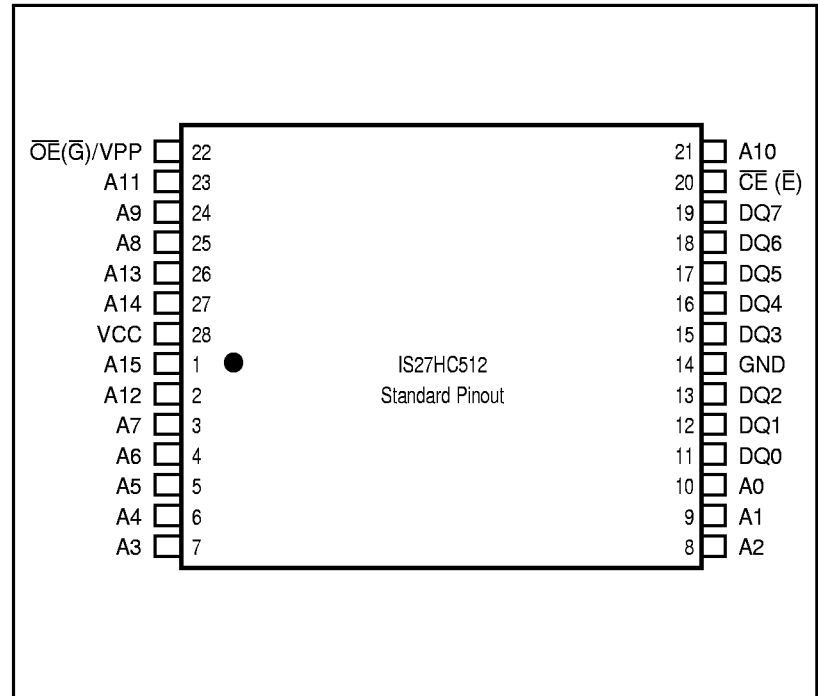
**PIN DESCRIPTIONS**

|  |   |
|--|---|
| A0-A15   | Address Inputs                                |
| $\overline{CE}$ ( $\overline{E}$ )                 | Chip Enable Input                             |
| DQ0-DQ7  | Data Inputs/Outputs                           |
| $\overline{OE}$ ( $\overline{G}$ )/V <sub>PP</sub> | Output Enable Input/<br>Program Voltage Input |
| V <sub>cc</sub>                                    | Power Supply Voltage                          |
| GND  | Ground  |
| NC   | No Internal Connection                        |

**32-Pin PLCC**



**28-Pin TSOP**



## FUNCTIONAL DESCRIPTION

### Programming the IS27HC512

Upon delivery, the IS27HC512 has 524,288 bits in the "ONE", or HIGH state. "ZEROs" are loaded into the IS27HC512 through the procedure of programming.

The programming mode is entered when  $12.5 \pm 0.25V$  is applied to the  $\overline{OE}/V_{PP}$  pin,  $V_{CC} = 6V$  and  $\overline{CE}$  is at  $V_{IL}$ . For programming, the data to be programmed is applied eight bits in parallel to the data output pins.

The write programming algorithm reduces programming time by using 100  $\mu s$  programming pulses followed by a byte verification to determine whether the byte has been successfully programmed. If the data does not verify, an additional pulse is applied for a maximum of 25 pulses. This process is repeated while sequencing through each address of the EPROM.

The write programming algorithm programs and verifies at  $V_{CC} = 6V$  and  $\overline{OE}/V_{PP} = 12.5V$ . After the final address is completed, all byte are compared to the original data with  $V_{CC} = 5.25V$ .

### Program Inhibit

Programming of multiple IS27HC512s in parallel with different data is also easily accomplished. Except for  $\overline{CE}$ , all like inputs of the parallel IS27HC512 may be common. A TTL low-level program pulse applied to an IS27HC512  $\overline{CE}$  input with  $\overline{OE}/V_{PP} = 12.5 \pm 0.25V$  will program that IS27HC512. A high-level  $\overline{CE}$  input inhibits the other IS27HC512 from being programmed.

### Program Verify

A verify should be performed on the programmed bits to determine that they were correctly programmed. The verify should be performed with  $\overline{CE}$  at  $V_{IL}$  and  $\overline{OE}/V_{PP}$  at  $V_{IL}$ .

### Auto Select Mode

The auto select mode allows the reading out of a binary code from an EPROM that will identify its manufacturer and type. This mode is intended for use by programming equipment for the purpose of automatically matching the device to be programmed with its corresponding programming algorithm. This mode is functional in the  $25^{\circ}C \pm 5^{\circ}C$  ambient temperature range that is required when programming the IS27HC512.

To activate this mode, the programming equipment must force  $12.0 \pm 0.5V$  on address line A9 of the IS27HC512. Two identifier bytes may then be sequenced from the device outputs by toggling address line A0 from  $V_{IL}$  to  $V_{IH}$ . All other address lines must be held at  $V_{IL}$  during auto select mode.

Byte 0 ( $A0 = V_{IL}$ ) represents the manufacturer code, and byte 1 ( $A0 = V_{IH}$ ), the device identifier code. For the IS27HC512, these two identifier bytes are given in the Mode Select table. All identifiers manufacturer and device codes will possess odd parity, with the MSB (DQ7) defined as the parity bit.

### Read Mode

The IS27HC512 has two control functions, both of which must be logically satisfied in order to obtain data at the outputs. Chip Enable ( $\overline{CE}$ ) is the power control and should be used for device selection. Assuming that addresses are stable, address access time ( $t_{ACC}$ ) is equal to the delay from  $\overline{CE}$  to output ( $t_{CE}$ ). Output Enable ( $\overline{OE}$ ) is the output control and should be used to get data to the output pins, independent of device selection. Data is available at the outputs  $t_{OE}$  after the falling edge of  $\overline{OE}$  assuming that  $\overline{CE}$  has been LOW and addresses have been stable for at least  $t_{ACC} - t_{OE}$ .

### Standby Mode

The IS27HC512 has a standby mode which reduces the maximum  $V_{CC}$  active current. It is placed in standby mode when  $\overline{CE}$  is at  $V_{IH}$ . The amount of current drawn in standby mode depends on the frequency and the number of address pins switching. The IS27HC512 is specified with 50% of the address lines toggling at 5 MHz. A reduction of the frequency or quantity of address lines toggling will significantly reduce the actual standby current.

### Output OR-Tieing

To accommodate multiple memory connections, a two-line control function is provided to allow for:

1. Low memory power dissipation, and
2. Assurance that output bus contention will not occur.

It is recommended that  $\overline{CE}$  be decoded and used as the primary device-selecting function, while  $\overline{OE}/V_{PP}$  be made a common connection to all devices in the array and connected to the READ line from the system control bus. This assures that all deselected memory devices are in their low-power standby mode and that the output pins are only active when data is desired from a particular memory device.

### System Applications

During the switch between active and standby conditions, transient current peaks are produced on the rising and falling edges of Chip Enable. The magnitude of these transient current peaks is dependent on the output capacitance loading of the device at a minimum, a 0.1  $\mu\text{F}$  ceramic capacitor (high-frequency, low inherent inductance) should be used on each device between  $V_{CC}$  and GND to minimize transient effects. In addition, to overcome the voltage drop caused by the inductive effects of the printed circuit board traces on EPROM arrays, a 4.7  $\mu\text{F}$  bulk electrolytic capacitor should be used between  $V_{CC}$  and GND for each eight devices. The location of the capacitor should be close to where the power supply is connected to the array.

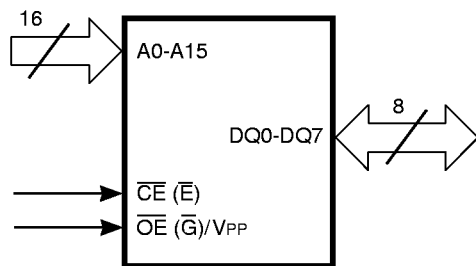
### TRUTH TABLE<sup>(1,2,4)</sup>

| Mode                         | $\overline{CE}$   | $\overline{OE}/V_{PP}$ | A0              | A9             | Outputs          |
|------------------------------|-------------------|------------------------|-----------------|----------------|------------------|
| Read                         | V <sub>IL</sub>   | V <sub>IL</sub>        | X               | X              | D <sub>OUT</sub> |
| Output Disable               | X                 | V <sub>IH</sub>        | X               | X              | Hi-Z             |
| Standby                      | V <sub>IH</sub>   | X                      | X               | X              | Hi-Z             |
| Program                      | V <sub>IL</sub>   | V <sub>PP</sub>        | X               | X              | D <sub>IN</sub>  |
| Program Verify               | V <sub>IL</sub>   | V <sub>IL</sub>        | X               | X              | D <sub>OUT</sub> |
| Program Inhibit              | V <sub>IH</sub>   | V <sub>PP</sub>        | X               | X              | Hi-Z             |
| Auto Select <sup>(3,5)</sup> | Manufacturer Code | V <sub>IL</sub>        | V <sub>IL</sub> | V <sub>H</sub> | D5H              |
|                              | Device Code       | V <sub>IL</sub>        | V <sub>IL</sub> | V <sub>H</sub> | 91H              |

#### Notes:

1. V<sub>H</sub> = 12.0V  $\pm$  0.5V.
2. X = Either V<sub>IH</sub> or V<sub>IL</sub>.
3. A1-A8 = A10-A15 = V<sub>IL</sub>.
4. See DC Programming Characteristics for V<sub>PP</sub> voltage during programming.
5. The IS27HC512 can use the same write algorithm during program as other IS27C512 or IS27512 devices.

### LOGIC SYMBOL



**ABSOLUTE MAXIMUM RATINGS<sup>(1)</sup>**

| Symbol            | Parameter                              | Value  | Unit |
|-------------------|--|--|------|
| V <sub>TERM</sub> | Terminal Voltage with Respect to GND   |  |      |
|                   | All pins except A9 and V <sub>PP</sub> | -0.6 to V <sub>CC</sub> + 0.5 <sup>(2)</sup>   | V    |
|                   | V <sub>PP</sub>                        | V <sub>CC</sub> - 0.3 to 13.5 <sup>(2,3)</sup> | V    |
|                   | A9                                     | -0.6 to 13.5 <sup>(2,3)</sup>                  | V    |
|                   | V <sub>CC</sub>                        | -0.6 to 7.0 <sup>(2)</sup>                     | V    |
| T <sub>A</sub>    | Ambient Temperature with Power Applied | -65 to +125                                    | °C   |
| T <sub>STG</sub>  | Storage Temperature (OTP)              | -65 to +125                                    | °C   |
| T <sub>STG</sub>  | Storage Temperature (All others)       | -65 to +150                                    | °C   |

**Notes:**

1. Stress greater than those listed under ABSOLUTE MAXIMUM RATINGS may cause permanent damage to the device. This is a stress rating only and functional operation of the device at these or any other conditions above those indicated in the operational sections of this specification is not implied. Exposure to absolute maximum rating conditions for extended periods may affect reliability.
2. Minimum DC input voltage is -0.5V. During transitions, inputs may undershoot to -2.0V for periods less than 10 ns. Maximum DC voltage on output pins is V<sub>CC</sub> + 0.5V which may overshoot to V<sub>CC</sub> + 2.0V for periods less than 10 ns.
3. Maximum DC voltage on A9 or V<sub>PP</sub> may overshoot to +13.5V for periods less than 10 ns.

**OPERATING RANGE**

| Range                     | Ambient Temperature | V <sub>CC</sub> |
|---------------------------|---------------------|-----------------|
| Commercial                | 0°C to +70°C        | 5V ± 10%        |
| Industrial <sup>(1)</sup> | -40°C to +85°C      | 5V ± 10%        |

**Note:**

1. Operating ranges define those limits between which the functionality of the device is guaranteed.

**DC ELECTRICAL CHARACTERISTICS<sup>(1,2,3)</sup> (Over Operating Range)**

| Symbol          | Parameter                         | Test Conditions                                   | Min. | Max.                  | Unit |
|-----------------|-----------------------------------|---|------|-----------------------|------|
| V <sub>OH</sub> | Output HIGH Voltage               | V <sub>CC</sub> = Min., I <sub>OH</sub> = -4.0 mA | 2.4  | —                     | V    |
| V <sub>OL</sub> | Output LOW Voltage                | V <sub>CC</sub> = Min., I <sub>OL</sub> = 8.0 mA  | —    | 0.45                  | V    |
| V <sub>IH</sub> | Input HIGH Voltage <sup>(4)</sup> |   | 2.0  | V <sub>CC</sub> + 0.5 | V    |
| V <sub>IL</sub> | Input LOW Voltage <sup>(4)</sup>  |   | -0.3 | 0.8                   | V    |
| I <sub>LI</sub> | Input Load Current                | V <sub>IN</sub> = 0V to +V <sub>CC</sub>          | —    | 5.0                   | μA   |
| I <sub>LO</sub> | Output Leakage Current            | V <sub>OUT</sub> = 0V to +V <sub>CC</sub>         | —    | 10                    | μA   |

**Notes:**

1. V<sub>CC</sub> must be applied simultaneously or before V<sub>PP</sub> and removed simultaneously or after V<sub>PP</sub>. Never try to force V<sub>PP</sub> LOW to 1V below V<sub>CC</sub>. Manufacturer suggests to tie V<sub>PP</sub> and V<sub>CC</sub> together during the READ operation.
2. **Caution:** the IS27HC512 must not be removed from (or inserted into) a socket when V<sub>CC</sub> or V<sub>PP</sub> is applied.
3. Minimum DC input voltage is -0.5V. During transitions, the inputs may undershoot to -2.0V for periods less than 10 ns. Maximum DC voltage on output pins is V<sub>CC</sub> + 0.5V which may overshoot to V<sub>CC</sub> + 2.0V for periods less than 10 ns.
4. Tested under static DC conditions.

**POWER SUPPLY CHARACTERISTICS<sup>(1,2,4)</sup>** (Over Operating Range)

| Symbol             | Parameter   | Test Conditions  | Min.                     | Max.   | Unit     |    |
|--------------------|---|--|--------------------------|--------|----------|----|
| I <sub>CC1</sub>   | V <sub>CC</sub> Operating Supply Current <sup>(3)</sup> | V <sub>CC</sub> = Max., $\overline{CE} = V_{IL}$<br>I <sub>OUT</sub> = 0 mA, f = 5 MHz<br>(Open outputs) | Commercial<br>Industrial | —<br>— | 15<br>20 | mA |
| I <sub>CCSB0</sub> | V <sub>CC</sub> CMOS Standby Current                    | $\overline{CE} \geq V_{CC} - 0.3V$<br>All pins $\geq V_{CC} - 0.3V$ or $\leq 0.3V$                       |                          | —      | 50       | μA |
| I <sub>CCSB1</sub> | V <sub>CC</sub> TTL Standby Current                     | $\overline{CE} \geq V_{IH}$<br>All pins = V <sub>IH</sub> or V <sub>IL</sub> (TTL level)                 |                          | —      | 1        | mA |

**Notes:**

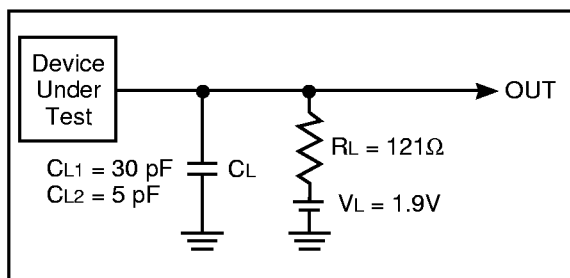
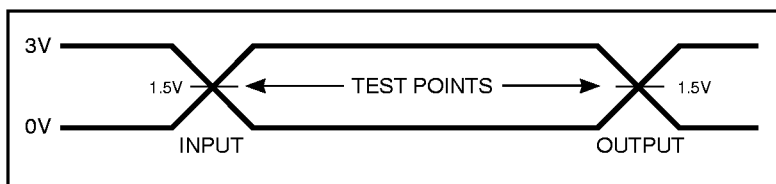
- V<sub>CC</sub> must be applied simultaneously or before V<sub>PP</sub> and removed simultaneously or after V<sub>PP</sub>. Never try to force V<sub>PP</sub> LOW to 1V below V<sub>CC</sub>. Manufacturer suggests to tie V<sub>PP</sub> and V<sub>CC</sub> together during the READ operation.
- Caution:** the IS27HC512 must not be removed from (or inserted into) a socket when V<sub>CC</sub> or V<sub>PP</sub> is applied.
- I<sub>CC1</sub> is tested with  $\overline{OE}/V_{PP} = V_{IH}$  to simulate open outputs.
- Minimum DC input voltage is -0.5V. During transitions, the inputs may undershoot to -2.0V for periods less than 10 ns. Maximum DC voltage on output pins is V<sub>CC</sub> + 0.5V which may overshoot to V<sub>CC</sub> + 2.0V for periods less than 10 ns.

**CAPACITANCE<sup>(1,2,3)</sup>**

| Symbol                                 | Parameter                          | Conditions                  | DIP  |      | PLCC/TSOP |      | Unit |
|--|------------------------------------|-----------------------------|------|------|-----------|------|------|
|  |                                    |                             | Typ. | Max. | Typ.      | Max. |      |
| C <sub>IN</sub>                        | Input Capacitance                  | V <sub>IN</sub> = 0V        | 6    | 10   | 6         | 9    | pF   |
| C <sub>OUT</sub>                       | Output Capacitance                 | V <sub>OUT</sub> = 0V       | 8    | 12   | 6         | 9    | pF   |
| C <sub>IN</sub> $\overline{OE}/V_{PP}$ | $\overline{OE}/V_{PP}$ Capacitance | $\overline{OE}/V_{PP} = 0V$ | 12   | 15   | 12        | 15   | pF   |

**Notes:**

- Typical values are for nominal supply voltage.
- This parameter is only sampled, but not 100% tested.
- Test conditions: T<sub>A</sub> = 25°C, f = 1 MHz.

**SWITCHING TEST CIRCUIT****SWITCHING TEST WAVEFORM****Notes:****AC Testing:**

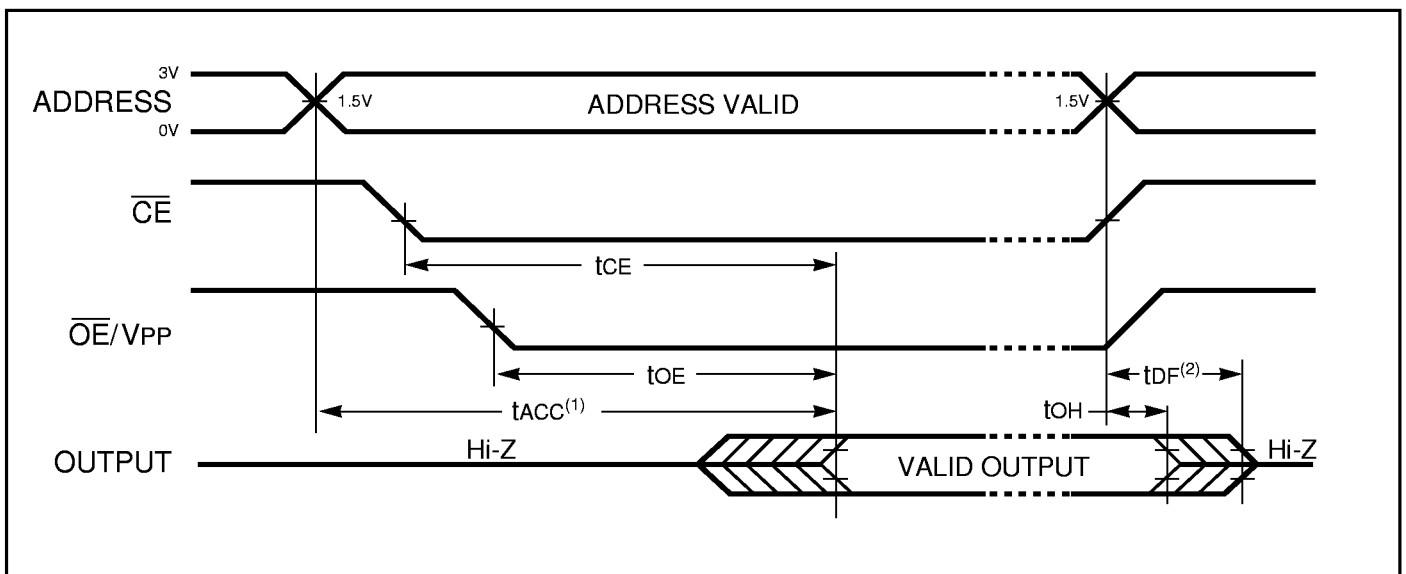
- Inputs are driven at 3.0V for a logic "1" and 0V for a logic "0".
- Input pulse rise and fall times are  $\geq 1.5V/ns$ .

**SWITCHING CHARACTERISTICS**<sup>(1,2,3,4)</sup> (Over Operating Range)

| JEDEC Symbol                             | Std. Symbol                    | Parameter   | Test Conditions  | -45  |      | -55  |      | -70  |      | Unit |
|--|--------------------------------|---|--|------|------|------|------|------|------|------|
|  |                                |   |  | Min. | Max. | Min. | Max. | Min. | Max. |      |
| t <sub>AVQA</sub>                        | t <sub>ACC</sub>               | Address to Output Delay   | $\overline{CE} = \overline{OE} = V_{IL}$<br>C <sub>L</sub> = CL1 | —    | 45   | —    | 55   | —    | 70   | ns   |
| t <sub>ELQV</sub>                        | t <sub>CE</sub>                | Chip Enable to Output Delay   | $\overline{OE} = V_{IL}$<br>C <sub>L</sub> = CL1                 | —    | 45   | —    | 55   | —    | 70   | ns   |
| t <sub>GLQV</sub>                        | t <sub>OE</sub>                | Output Enable to Output Delay   | $\overline{CE} = V_{IL}$<br>C <sub>L</sub> = CL1                 | —    | 20   | —    | 25   | —    | 35   | ns   |
| t <sub>EHOZ</sub> ,<br>t <sub>GHQZ</sub> | t <sub>DF</sub> <sup>(2)</sup> | Chip Enable HIGH or Output Enable HIGH, whichever comes first, to Output Float        | C <sub>L</sub> = CL2   | 0    | 20   | 0    | 25   | 0    | 30   | ns   |
| t <sub>AVOX</sub>                        | t <sub>OH</sub>                | Output Hold from Address, $\overline{CE}$ or $\overline{OE}$ whichever occurred first |  | 0    | —    | 0    | —    | 0    | —    | ns   |

**Notes:**

- V<sub>CC</sub> must be applied simultaneously or before V<sub>PP</sub> and removed simultaneously or after V<sub>PP</sub>.
- This parameter is only sampled, not 100% tested.
- Caution:** The IS27HC512 must not be removed from (or inserted into) a socket or board when V<sub>PP</sub> or V<sub>CC</sub> applied.
- Output Load: 1 TTL gate and C = C<sub>L</sub>.  
Input Rise and Fall times: 2 ns.  
Input Pulse Levels: 0 to 3V.  
Timing Measurement Reference Level: 1.5V for inputs and outputs.

**SWITCHING WAVEFORMS****Notes:**

- $\overline{OE}$  may be delayed up to  $t_{ACC} - t_{OE}$  after the falling edge of  $\overline{CE}$  without impact on  $t_{acc}$ .
- $t_{DF}$  is specified from  $\overline{OE}$  or  $\overline{CE}$ , whichever occurs first.

**DC PROGRAMMING CHARACTERISTICS**<sup>(1,2,3)</sup> ( $T_A = +25^\circ\text{C} \pm 5^\circ\text{C}$ )

| Symbol          | Parameter   | Test Conditions  | Min.  | Max.                  | Unit    |
|-----------------|---|--|-------|-----------------------|---------|
| V <sub>OH</sub> | Output HIGH Voltage During Verify                 | I <sub>OH</sub> = -400 $\mu$ A   | 2.4   | —                     | V       |
| V <sub>OL</sub> | Output LOW Voltage During Verify                  | I <sub>OL</sub> = 2.1 mA   | —     | 0.45                  | V       |
| V <sub>IH</sub> | Input HIGH Voltage                                |  | 2.0   | V <sub>CC</sub> + 0.5 | V       |
| V <sub>IL</sub> | Input LOW Voltage (All Inputs)                    |  | -0.3  | 0.8                   | V       |
| V <sub>H</sub>  | A9 Auto Select Voltage                            |  | 11.5  | 12.5                  | V       |
| I <sub>LI</sub> | Input Current (All Inputs)                        | V <sub>IN</sub> = V <sub>IL</sub> or V <sub>IH</sub>                                       | —     | 10.0                  | $\mu$ A |
| I <sub>CC</sub> | V <sub>CC</sub> Supply Current (Program & Verify) |  | —     | 50                    | mA      |
| I <sub>PP</sub> | V <sub>PP</sub> Supply Current                    | $\overline{\text{CE}} = \text{V}_{\text{IL}}, \overline{\text{OE}} = \text{V}_{\text{IH}}$ | —     | 30                    | mA      |
| V <sub>CC</sub> | Supply Voltage                                    |  | 5.75  | 6.25                  | V       |
| V <sub>PP</sub> | Programming Voltage                               |  | 12.25 | 12.75                 | V       |

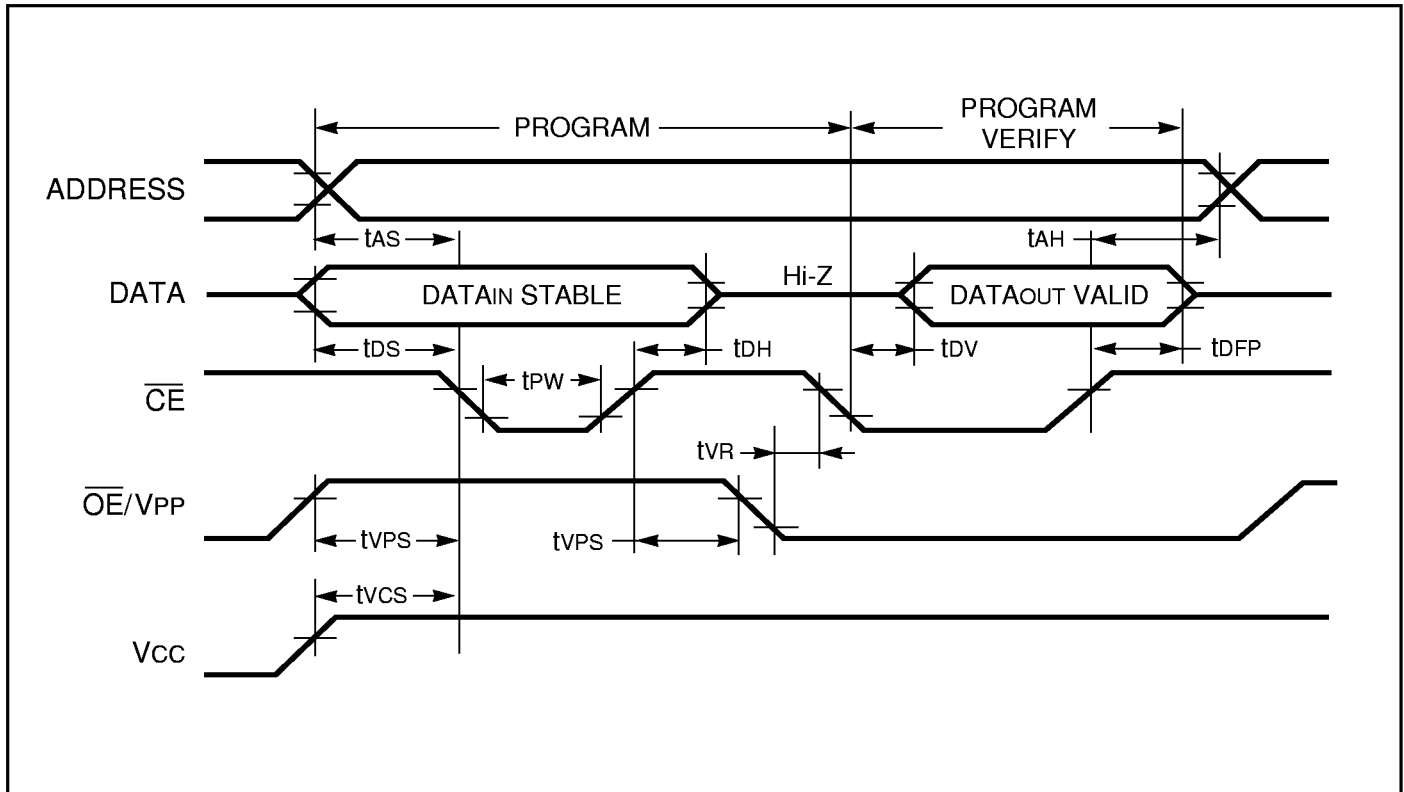
**SWITCH PROGRAMMING CHARACTERISTICS**<sup>(1,2,3)</sup> ( $T_A = +25^\circ\text{C} \pm 5^\circ\text{C}$ )

| JEDEC Symbol       | Std. Symbol       | Parameter  | Min. | Max. | Unit    |
|--------------------|-------------------|--|------|------|---------|
| t <sub>AVEL</sub>  | t <sub>AS</sub>   | Address Setup Time                                 | 2    | —    | $\mu$ s |
| t <sub>EHGL</sub>  | t <sub>OEHL</sub> | $\overline{\text{OE}}/V_{\text{PP}}$ Hold Time     | 2    | —    | $\mu$ s |
| t <sub>DVEL</sub>  | t <sub>DS</sub>   | Data Setup Time                                    | 2    | —    | $\mu$ s |
| t <sub>GHAX</sub>  | t <sub>AH</sub>   | Address Hold Time                                  | 0    | —    | $\mu$ s |
| t <sub>EHDX</sub>  | t <sub>DH</sub>   | Data Hold Time                                     | 2    | —    | $\mu$ s |
| t <sub>EHQZ</sub>  | t <sub>DFP</sub>  | $\overline{\text{CE}}$ HIGH to Output Float Delay  | 0    | 130  | ns      |
| t <sub>VPS</sub>   | t <sub>VPS</sub>  | V <sub>PP</sub> Setup Time                         | 2    | —    | $\mu$ s |
| t <sub>ELEH1</sub> | t <sub>PW</sub>   | $\overline{\text{CE}}$ Program Pulse Width         | 95   | 105  | $\mu$ s |
| t <sub>VCS</sub>   | t <sub>VCS</sub>  | V <sub>CC</sub> Setup Time                         | 2    | —    | $\mu$ s |
| t <sub>GLEL</sub>  | t <sub>VR</sub>   | $\overline{\text{OE}}/V_{\text{PP}}$ Recovery Time | 2    | —    | $\mu$ s |
| t <sub>ELQV</sub>  | t <sub>DV</sub>   | Data Valid from $\overline{\text{CE}}$             | —    | 150  | ns      |

**Notes:**

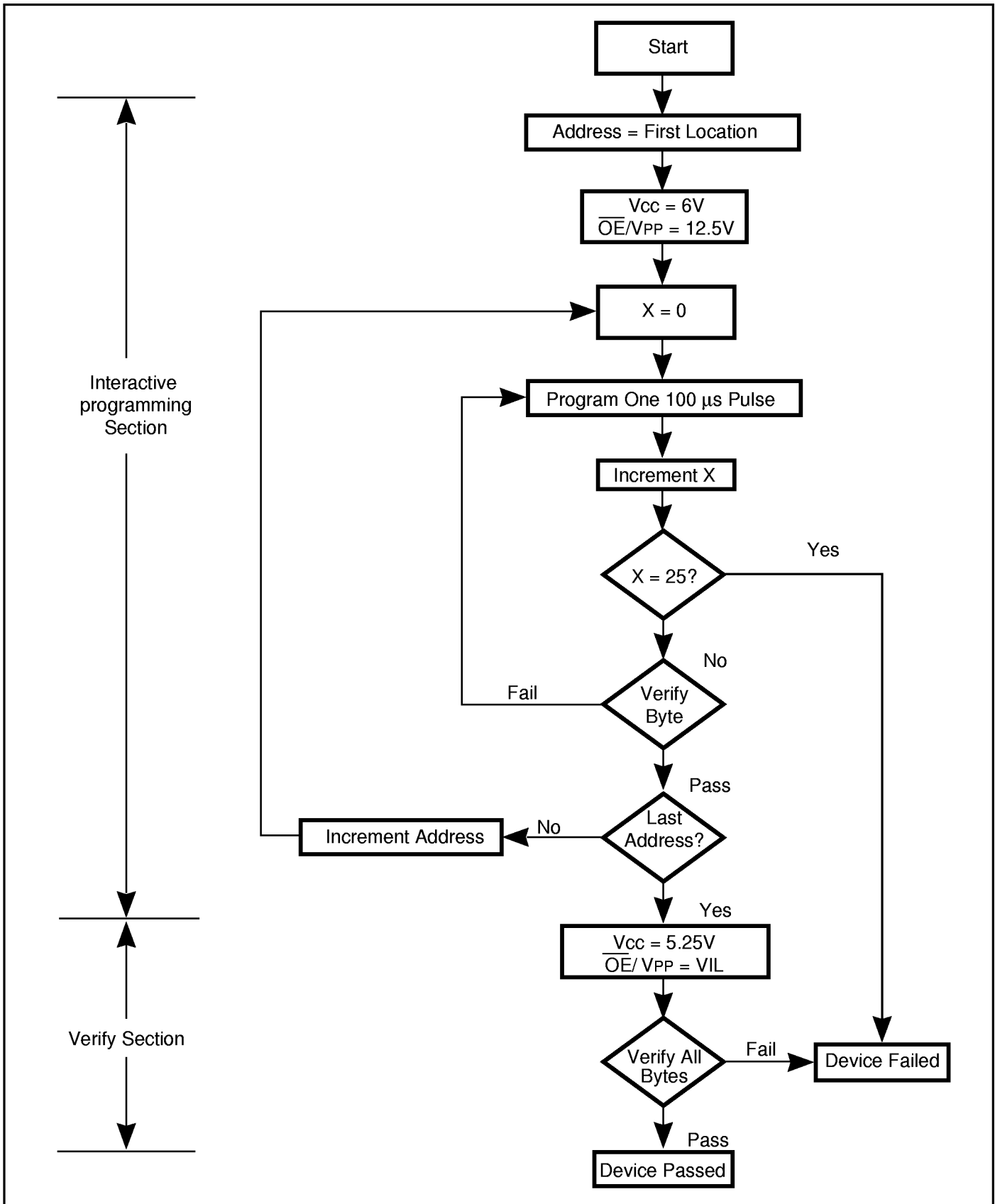
- V<sub>CC</sub> must be applied simultaneously or before V<sub>PP</sub> and removed simultaneously or after V<sub>PP</sub>.
- When programming IS27LV512, a 0.1  $\mu$ F capacitor is required across V<sub>PP</sub> and ground to suppress spurious voltage transients which may damage the device.
- Programming characteristics are sampled but not 100% tested at worst-case conditions.



PROGRAMMING ALGORITHM WAVEFORM<sup>(1,2)</sup>**Notes:**

1. The timing reference level is 0.8V to 2V for inputs and outputs.
2.  $t_{OE}$  and  $t_{DFP}$  are characteristics of the device but must be accommodated by the programmer.

**PROGRAMMING FLOW CHART**



**ORDERING INFORMATION****Commercial Range: 0°C to +70°C**

| Speed (ns) | Order Part Number | Package                            |
|------------|-------------------|------------------------------------|
| 45         | IS27HC512-45W     | 600-mil Plastic DIP                |
|            | IS27HC512-45PL    | PLCC – Plastic Leaded Chip Carrier |
|            | IS27HC512-45T     | TSOP                               |
| 55         | IS27HC512-55W     | 600-mil Plastic DIP                |
|            | IS27HC512-55PL    | PLCC – Plastic Leaded Chip Carrier |
|            | IS27HC512-55T     | TSOP                               |
| 70         | IS27HC512-70W     | 600-mil Plastic DIP                |
|            | IS27HC512-70PL    | PLCC – Plastic Leaded Chip Carrier |
|            | IS27HC512-70T     | TSOP                               |

**ORDERING INFORMATION****Industrial Range: –40°C to +85°C**

| Speed (ns) | Order Part Number | Package                            |
|------------|-------------------|------------------------------------|
| 45         | IS27HC512-45PLI   | PLCC – Plastic Leaded Chip Carrier |
|            | IS27HC512-45TI    | TSOP                               |
| 55         | IS27HC512-55PLI   | PLCC – Plastic Leaded Chip Carrier |
|            | IS27HC512-55TI    | TSOP                               |
| 70         | IS27HC512-70PLI   | PLCC – Plastic Leaded Chip Carrier |
|            | IS27HC512-70TI    | TSOP                               |

**Integrated Silicon Solution, Inc.**

2231 Lawson Lane

Santa Clara, CA 95054

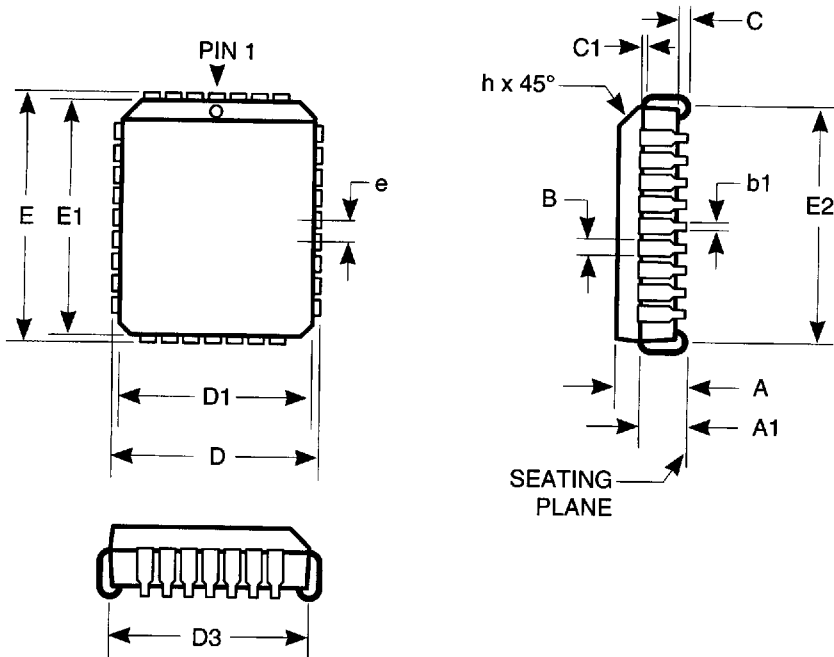
Fax: (408) 588-0806

Toll Free: 1-800-379-4774

<http://www.issiusa.com>

PLCC (Plastic Leaded Chip Carrier)

Package Code: PL



Plastic Leaded Chip Carrier (PL)

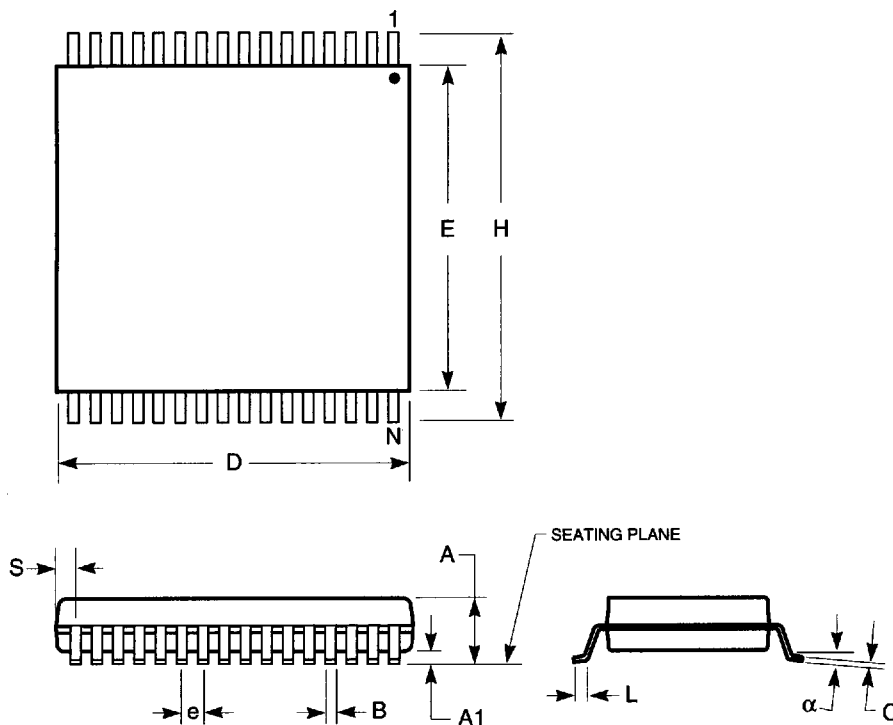
| Inches    |           |       |           |       |
|-----------|-----------|-------|-----------|-------|
| Symbol    | Min       | Max   | Min       | Max   |
| Ref. Std. |           |       |           |       |
| No. Leads | 32        |       | 44        |       |
| A         | 0.131     | 0.140 | 0.165     | 0.180 |
| A1        | 0.075     | 0.095 | 0.090     | 0.120 |
| B         | 0.026     | 0.032 | 0.026     | 0.032 |
| b1        | 0.013     | 0.021 | 0.013     | 0.021 |
| C         | 0.020     | 0.040 | 0.020     | 0.040 |
| C1        | 0.008     | 0.014 | 0.008     | 0.014 |
| D         | 0.485     | 0.495 | 0.685     | 0.695 |
| D1        | 0.447     | 0.453 | 0.650     | 0.656 |
| D2        | 0.390     | 0.430 | —         | —     |
| E         | 0.585     | 0.595 | 0.685     | 0.695 |
| E1        | 0.547     | 0.553 | 0.650     | 0.656 |
| E2        | 0.490     | 0.530 | 0.659     | 0.680 |
| e         | 0.050 BSC |       | 0.050 BSC |       |
| ND/NE     | 7/9       |       | 11/11     |       |

Notes:

1. Controlling dimension: inches, unless otherwise specified.
2. BSC = Basic lead spacing between centers.
3. Dimensions D and E do not include mold flash protrusions.
4. Formed leads shall be planar with respect to one another within 0.004 inches at the seating plane.
5. ND and NE represent the number of leads in D and E directions, respectively.
6. D1 and E1 should be measured from the bottom of the package.

Plastic TSOP - 32 pins

Package Code: T

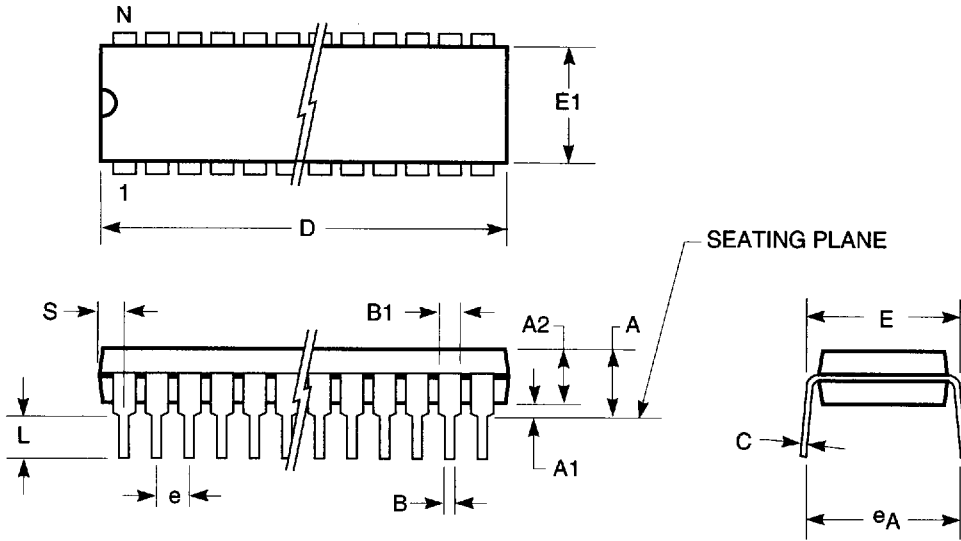


| Plastic TSOP (T) |       |       |  |
|------------------|-------|-------|--|
| Inches           |       |       |  |
| Symbol           | Min   | Max   |  |
| Ref. Std.        |       |       |  |
| N                | 32    |       |  |
| A                | —     | 0.047 |  |
| A1               | 0.002 | 0.010 |  |
| B                | 0.007 | 0.009 |  |
| C                | 0.006 | 0.014 |  |
| D                | 0.311 | 0.319 |  |
| E                | 0.720 | 0.728 |  |
| H                | 0.780 | 0.795 |  |
| e                | 0.020 | BSC   |  |
| L                | 0.016 | 0.025 |  |
| α                | 0°    | 8°    |  |

**Notes:**

1. Controlling dimension: inches, unless otherwise specified.
2. BSC = Basic lead spacing between centers.
3. Dimensions D and E do not include mold flash protrusions and should be measured from the bottom of the package.
4. Formed leads shall be planar with respect to one another within 0.004 inches at the seating plane.

600-mil Plastic DIP  
 Package Code: W



600-mil Plastic DIP (W)

Inches

| Symbol    | Min   | Max   | Min   | Max   | Min   | Max   |
|-----------|-------|-------|-------|-------|-------|-------|
| Ref. Std. |       |       |       |       |       |       |
| N         | 28    |       | 32    |       | 40    |       |
| A         | 0.160 | 0.185 | 0.165 | 0.180 | 0.165 | 0.200 |
| A1        | 0.015 | 0.035 | 0.010 | —     | 0.020 | 0.045 |
| B         | 0.015 | 0.020 | 0.018 |       | 0.015 | 0.022 |
| B1        | 0.050 | 0.065 | 0.050 |       | 0.045 | 0.067 |
| C         | 0.008 | 0.012 | 0.010 |       | 0.008 | 0.015 |
| D         | 1.420 | 1.460 | 1.645 | 1.655 | 1.415 | 1.460 |
| E         | 0.600 | 0.620 | 0.590 | 0.610 | 0.600 | 0.620 |
| E1        | 0.530 | 0.550 | 0.540 | 0.555 | 0.530 | 0.560 |
| eA        | 0.610 | 0.670 | 0.620 | 0.680 | 0.600 | 0.680 |
| e         | 0.100 | BSC   | 0.100 | BSC   | 0.100 | BSC   |
| L         | 0.120 | 0.150 | 0.120 | 0.140 | 0.120 | 0.138 |
| S         | 0.055 | 0.080 | 0.065 | 0.085 | 0.055 | 0.085 |
| α         | 0°    | 15°   | 2°    | 8°    | —     | —     |

Notes:

1. Controlling dimension: inches, unless otherwise specified.
2. BSC = Basic lead spacing between centers.
3. Dimensions D and E1 do not include mold flash protrusions and should be measured from the bottom of the package.
4. Formed leads shall be planar with respect to one another within 0.004 inches at the seating plane.