

PLEASE CHECK WWW.MOLEX.COM FOR LATEST PART INFORMATION

Part Number: **0014601060**
Status: **Active**
Description: 2.54mm (.100") Pitch SL™ Insulation Displacement Connector Assembly, Female, Single Row, Version D, Back Ribs, Wire Size 26, 3.81µm (150µ") Tin/Lead (SnPb), 6 Circuits

Documents:

[3D Model](#) [Product Specification PS-70400 \(PDF\)](#)
[Drawing \(PDF\)](#) [RoHS Certificate of Compliance \(PDF\)](#)

Agency Certification

CSA LR19980
 UL E29179

General

Product Family Ribbon Cable / Wire Trap Connectors
 Series [70400](#)
 Comments Terminals Preloaded
 Component Type Housing
 Glow-Wire Compliant No
 Product Name SL™

Physical

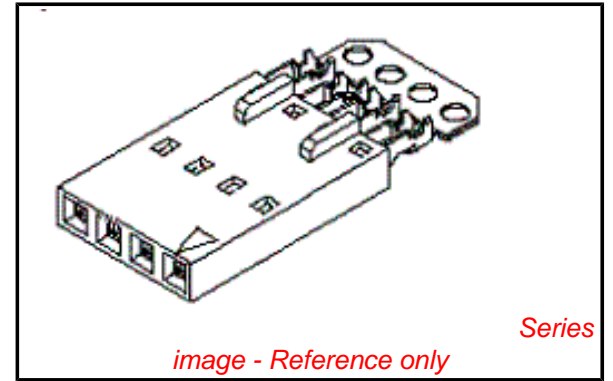
Circuits (Loaded) 6
 Color - Resin Black
 Durability (mating cycles max) 25
 Entry Angle Vertical
 Flammability 94V-0
 Lock to Mating Part None
 Material - Metal Phosphor Bronze
 Material - Plating Mating Tin
 Material - Plating Termination Tin
 Material - Resin Polyester Alloy
 Number of Rows 1
 PCB Retention None
 Packaging Type Tube
 Pitch - Mating Interface (in) 0.100 In
 Pitch - Mating Interface (mm) 2.54 mm
 Plating min: Mating (µin) 150
 Plating min: Mating (µm) 3.75
 Plating min: Termination (µin) 75
 Plating min: Termination (µm) 1.875
 Polarized to Mating Part Yes
 Stackable Yes
 Surface Mount Compatible (SMC) N/A
 Temperature Range - Operating -40°C to +105°C
 Termination Interface: Style IDT or Pierce
 Wire Insulation Diameter 1.35mm (.053") max.
 Wire Size AWG 26
 Wire/Cable Type Discrete Wire, Ribbon Cable

Electrical

Current - Maximum per Contact 1.8A
 Voltage - Maximum 250V

Material Info

Old Part Number 70400-0250



EU RoHS

ELV and RoHS Compliant

REACH SVHC

Contains SVHC: No

Halogen-Free

Status

Not Reviewed

China RoHS



Need more information on product environmental compliance?

Email productcompliance@molex.com
 For a multiple part number RoHS Certificate of Compliance, [click here](#)

Please visit the [Contact Us](#) section for any non-product compliance questions.

Search Parts in this Series

[70400Series](#)

Mates With

[70004](#) Interim Clip (Single Row), [70013](#) Interim Clip (Dual Row)

Use With

[7307](#) Tinned 28AWG, [7767](#) Topcoat 28AWG, [24241](#) Tinned 26AWG, [8996](#) Topcoat 26AWG, [24226](#) Tinned 24AWG, [8997](#) Topcoat 24AWG, [24369](#) High Flex 26AWG, [24389](#) High Flex 24AWG

Application Tooling | FAQ

Tooling specifications and manuals are found by selecting the products below. Crimp Height Specifications are then contained in the Application Tooling Specification document.

Global

Description	Product #
Hawk Semi-	0011201337
Automatic Discrete	

Reference - Drawing Numbers

Product Specification

Sales Drawing

PS-70400

SDA-70400-0246-0269

Wire Terminator for SL - Rebuilt US*	
Hawk™ Ribbon	<u>0623003000</u>
Cable Terminator for SL without Break-off	
Hawk™ Semi- Automatic Discrete	<u>0623003100</u>
Wire Terminator for SL	
Hawk™ Flat Flex	<u>0623005200</u>
Cable Terminator for SL with Break-off	
Hawk™ Ribbon	<u>0623005300</u>
Cable Terminator with for SL Break-off	
Hawk™ Semi- Automatic Discrete	<u>0623004900</u>
Wire Terminator for SL - Rebuilt CE Approved*	

This document was generated on 03/30/2010

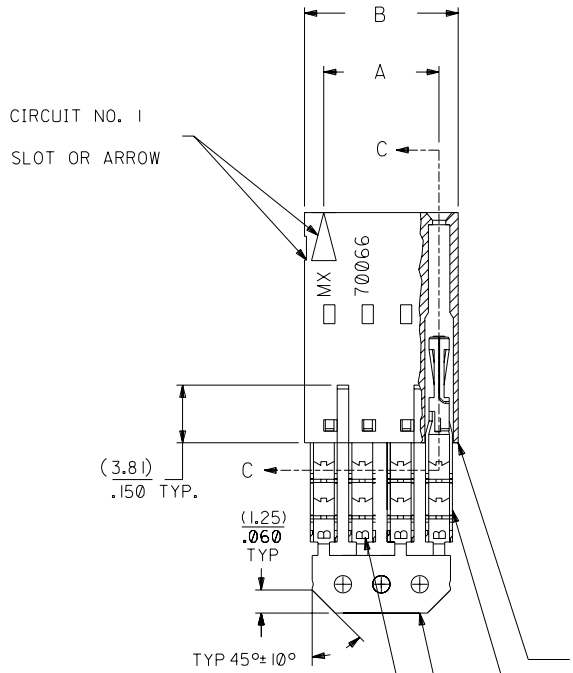
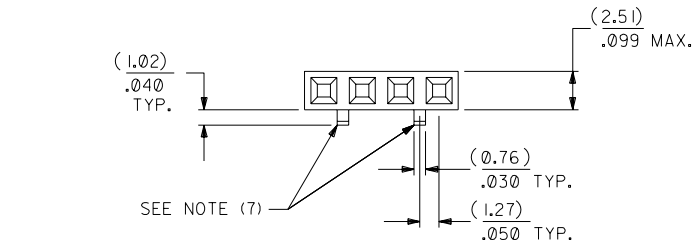
PLEASE CHECK WWW.MOLEX.COM FOR LATEST PART INFORMATION

OPTION D

NOTES:

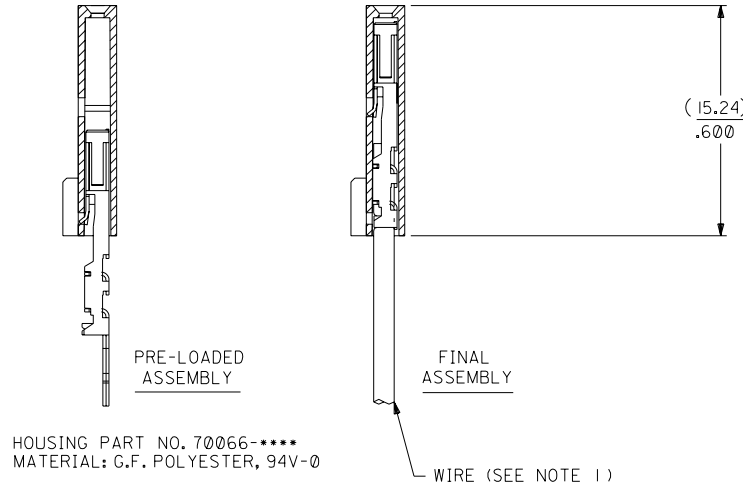
- 1) TO BE USED WITH (26) AWG. STRANDED WIRE WITH (1.35)/.053 DIA. MAX. INSULATION.
- 2) SEE CHART FOR CIRCUIT SIZES.
- 3) STANDARD PACKAGING PER PK-70873-0001. OPTIONAL PACKAGING MAY BE AVAILABLE, REQUEST DWG. PK-70400
- 4) PARTS STACKABLE END TO END ON (2.54)/.100 CENTERS.
- 5) REFER TO PRODUCT SPECIFICATION: PS-70400.
- 6) SEE DWG. SDA-70400-**** (SHT. 5) FOR OPTIONAL HOUSING DETAILS.
- 7) 4 CIRCUIT SHOWN. 3 - 25 CKT'S. HAVE (2) RIBS.
- 8) TO MATE WITH MOLEX PART NO'S.: 70004-****, 70013-****

9) 2 CIRCUIT ASSEMBLIES SUPPLIED AS GROUPED PAIRS.



I.D. SLOT CODE TO WIRE GAUGE CHART	
I.D. SLOT CODE	WIRE GAUGE
B	26 AWG.

PLATING CODE (STRIPE ON CARRIER STRIP)	
PLATING	COLOR
TIN	NONE



HOUSING PART NO. 70066-****
MATERIAL: G.F. POLYESTER, 94V-0

TERMINAL PART NO. 70028-****
MATERIAL: PHOSPHOR BRONZE
PLATING PER ES-88-***

TIN - .000150 MIN. TIN OVER
.000050 MIN. NICKEL PLATE.



SECTION C-C

CKT. SIZE	A	B	EDP. NO.	ENG. NO.
2	(2.54) .100	(5.05) .199	14-60-1020	A-70400-0246
3	(5.08) .200	(7.59) .299	14-60-1030	A-70400-0247
4	(7.62) .300	(10.13) .399	14-60-1040	A-70400-0248
5	(10.16) .400	(12.67) .499	14-60-1050	A-70400-0249
6	(12.70) .500	(15.21) .599	14-60-1060	A-70400-0250
7	(15.24) .600	(17.75) .699	14-60-1070	A-70400-0251
8	(17.78) .700	(20.29) .799	14-60-1080	A-70400-0252
9	(20.32) .800	(22.83) .899	14-60-1090	A-70400-0253
10	(22.86) .900	(25.37) .999	14-60-1100	A-70400-0254
11	(25.54) 1.000	(27.91) 1.099	14-60-1110	A-70400-0255
12	(27.94) 1.100	(30.45) 1.199	14-60-1120	A-70400-0256
13	(30.48) 1.200	(32.99) 1.299	14-60-1130	A-70400-0257
14	(33.02) 1.300	(35.53) 1.399	14-60-1140	A-70400-0258
15	(35.56) 1.400	(38.07) 1.499	14-60-1150	A-70400-0259
16	(38.01) 1.500	(40.61) 1.599	14-60-1160	A-70400-0260
17	(40.64) 1.600	(43.15) 1.699	14-60-1170	A-70400-0261
18	(43.18) 1.700	(45.69) 1.799	14-60-1180	A-70400-0262
19	(45.72) 1.800	(48.23) 1.899	14-60-1190	A-70400-0263
20	(48.26) 1.900	(50.77) 1.999	14-60-1200	A-70400-0264
21	(50.80) 2.000	(53.31) 2.099	14-60-1210	A-70400-0265
22	(53.34) 2.100	(55.85) 2.199	14-60-1220	A-70400-0266
23	(55.88) 2.200	(58.39) 2.299	14-60-1230	A-70400-0267
24	(58.42) 2.300	(60.93) 2.399	14-60-1240	A-70400-0268
25	(60.96) 2.400	(63.47) 2.499	14-60-1250	A-70400-0269

*THE PRIMARY SHIPPING CARTON WILL BE LABELED "COMPLIANT TO ROHS DIRECTIVE 2002/95/EC AND ELV ANNEX II OF DIRECTIVE 2000/53/EC". CARTONS WITHOUT THIS LABEL MAY CONTAIN PRODUCT WITH LEAD.

F	LEAD FREE UCP2004-1769 RWHITE 04/03/17	D	REVISED PER ECR NO. U82110 10-17-88 AAB	DIMENSIONS SHOWN (METRIC) INCH UNLESS OTHERWISE SPECIFIED TOLERANCES: ANGULAR ± 1/2°		▽ = 0 ▼ = 0 REVISE ONLY ON CAD SYSTEM																																									
EI	ADD CARRIER CHAMF ECN #UDT1998-0280 05/20/98 LMCGRATH	C	REVISE PER ECR #U80110 2/3/88 MJM	<table border="1"> <thead> <tr> <th colspan="2">INCH</th> <th colspan="2">METRIC</th> </tr> </thead> <tbody> <tr> <td>3 PLACE</td> <td>± .010</td> <td>---</td> <td>---</td> </tr> <tr> <td>2 PLACE</td> <td>± .014</td> <td>± 0.25</td> <td>---</td> </tr> <tr> <td>1 PLACE</td> <td>---</td> <td>± 0.35</td> <td>---</td> </tr> </tbody> </table>		INCH		METRIC		3 PLACE	± .010	---	---	2 PLACE	± .014	± 0.25	---	1 PLACE	---	± 0.35	---	<table border="1"> <tr> <td colspan="2">TITLE</td> <td colspan="2">ASSEMBLY, SL CONNECTOR (SINGLE ROW- (2.54)/.100 GRID)</td> </tr> <tr> <td colspan="2">MFG. SH. REV.</td> <td colspan="2">MOLEX INCORPORATED LITSE, ILL. 60532 U.S.A.</td> </tr> <tr> <td colspan="2">PART NO.</td> <td colspan="2">SDA-70400-0246-0269</td> </tr> <tr> <td colspan="2">DRWG. NO.</td> <td colspan="2">SEE CHART</td> </tr> <tr> <td colspan="2">FILE NAME</td> <td colspan="2">570400DX2</td> </tr> <tr> <td colspan="2">THIS DRAWING CONTAINS INFORMATION THAT IS PROPRIETARY TO MOLEX INC. AND SHOULD NOT BE USED WITHOUT WRITTEN PERMISSION.</td> <td colspan="2">SHEET NO. DATE 10/09/84</td> </tr> </table>		TITLE		ASSEMBLY, SL CONNECTOR (SINGLE ROW- (2.54)/.100 GRID)		MFG. SH. REV.		MOLEX INCORPORATED LITSE, ILL. 60532 U.S.A.		PART NO.		SDA-70400-0246-0269		DRWG. NO.		SEE CHART		FILE NAME		570400DX2		THIS DRAWING CONTAINS INFORMATION THAT IS PROPRIETARY TO MOLEX INC. AND SHOULD NOT BE USED WITHOUT WRITTEN PERMISSION.		SHEET NO. DATE 10/09/84	
INCH		METRIC																																													
3 PLACE	± .010	---	---																																												
2 PLACE	± .014	± 0.25	---																																												
1 PLACE	---	± 0.35	---																																												
TITLE		ASSEMBLY, SL CONNECTOR (SINGLE ROW- (2.54)/.100 GRID)																																													
MFG. SH. REV.		MOLEX INCORPORATED LITSE, ILL. 60532 U.S.A.																																													
PART NO.		SDA-70400-0246-0269																																													
DRWG. NO.		SEE CHART																																													
FILE NAME		570400DX2																																													
THIS DRAWING CONTAINS INFORMATION THAT IS PROPRIETARY TO MOLEX INC. AND SHOULD NOT BE USED WITHOUT WRITTEN PERMISSION.		SHEET NO. DATE 10/09/84																																													
E	164 PLATING WAS 102 PER ECR # U30941 07/13/93 REED	B	REDRAWN ON CAD ECR# 8842 5/8/86 W.Z.	DRAWING WHERE APPLICABLE MUST REMAIN WITHIN DIMENSIONS		DRWG. NO. DATE 10/09/84																																									
LTR.	REVISIONS	LTR.	REVISIONS	DRWG. BY WAZ	CHK'D. BY WAZ	SCALE 4:1	FILE NAME 570400DX2																																								