

FEATURES

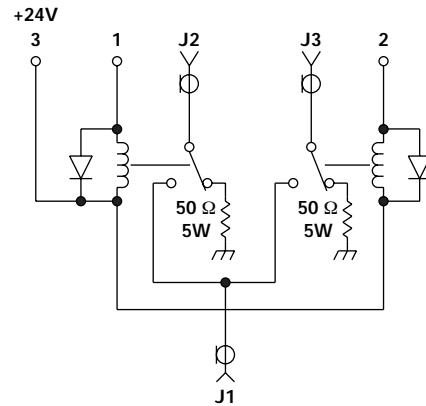
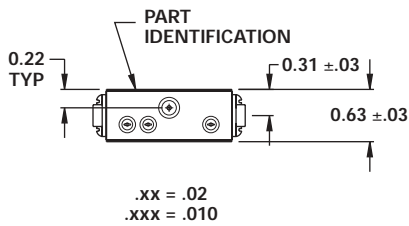
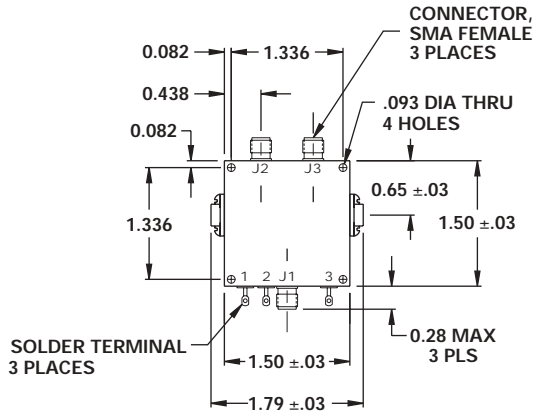
- 225 - 440 MHz
- 5 Watt CW
- 0.27 dB Insertion Loss
- 76 db Isolation
- +24 Volts Supply
- Non-Reflective



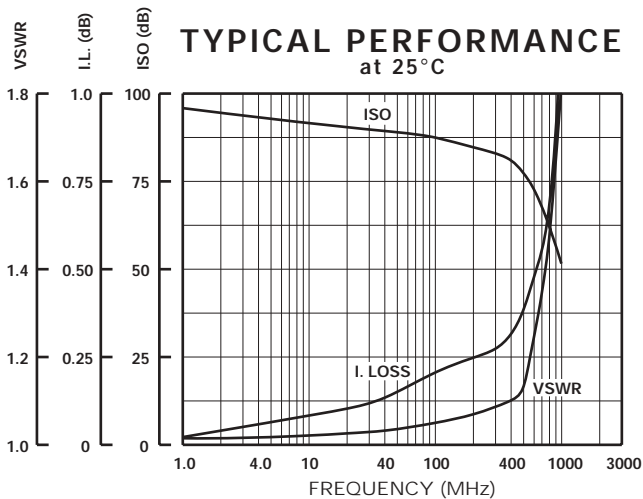
MODEL NO.
100C9289

Switch SPDT

SPDT



LOGIC TABLE		
Terminal No		RF Path
1	2	
Open	GND	J1 to J3
GND	Open	J1 to J2
Open	Open	J2 and J3 Terminated to Load
GND	GND	Not Allowed



GUARANTEED PERFORMANCE

Parameter	Min	Typ	Max	Units	Conditions
Operating Frequency	225		440	MHz	
DC Current		15	21	mA	At +24 VDC Supply
Insertion Loss		0.27	0.35	dB	240 - 270 MHz
Isolation	45	76		dB	
VSWR		1.08/1	1.2/1		225 - 440 MHz
Impedance		50		OHMS	
Switching Speed		2.2	5	mSec	
RF Power			5	W	
Operating Temperature	0	+25	+75	°C	TA