

PLEASE CHECK WWW.MOLEX.COM FOR LATEST PART INFORMATION

Part Number: [0010634027](#)
Status: **Active**
Overview: [kk](#)
Description: 7.92mm (.312") Pitch SPOX™ Header, Vertical, with Friction Lock, 2 Circuits

Documents:

3D Model	Product Specification PS-5239-005 (PDF)
Drawing (PDF)	RoHS Certificate of Compliance (PDF)
Product Specification PS-5195-002 (PDF)	

Agency Certification

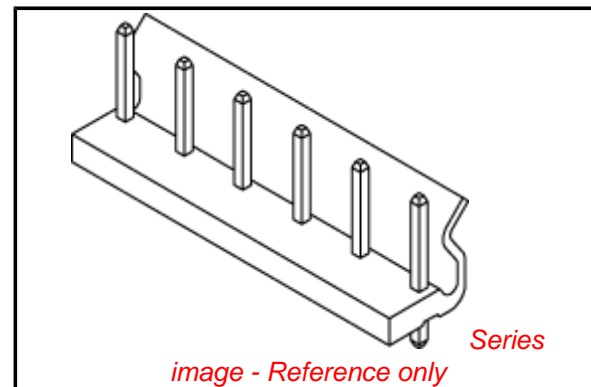
CSA	LR19980
TUV	R72090224
UL	E29179

General

Product Family	PCB Headers
Series	5096
Application	Wire-to-Board
Overview	kk
Product Name	SPOX™

Physical

Breakaway	No
Circuits (Loaded)	2
Durability (mating cycles max)	30
First Mate / Last Break	No
Flammability	94V-2
Glow-Wire Compliant	No
Guide to Mating Part	No
Keying to Mating Part	None
Lock to Mating Part	Yes
Material - Metal	Brass
Material - Plating Mating	Tin
Material - Plating Termination	Tin
Material - Resin	Nylon
Number of Rows	1
Orientation	Vertical
PC Tail Length (in)	0.142 In
PC Tail Length (mm)	3.60 mm
PCB Locator	No
PCB Retention	None
PCB Thickness Recommended (in)	0.062 In
PCB Thickness Recommended (mm)	1.60 mm
Packaging Type	Bag
Pitch - Mating Interface (in)	0.312 In
Pitch - Mating Interface (mm)	7.92 mm
Plating min: Mating (µin)	200
Plating min: Mating (µm)	5
Plating min: Termination (µin)	200
Plating min: Termination (µm)	5
Polarized to PCB	No
Shrouded	Partial
Stackable	No
Temperature Range - Operating	-40°C to +105°C
Termination Interface: Style	Through Hole



EU RoHS

**ELV and RoHS
Compliant**
**REACH SVHC
Contains SVHC: No**
**Halogen-Free
Status
Not Reviewed**

China RoHS



**Need more information on product
environmental compliance?**

Email productcompliance@molex.com
 For a multiple part number RoHS Certificate of Compliance, [click here](#)

Please visit the [Contact Us](#) section for any non-product compliance questions.

Search Parts in this Series

[5096Series](#)

Mates With

[5195](#) SPOX™ Crimp Housing. [5239](#) KK® Crimp Housing

Electrical

Current - Maximum per Contact
Voltage - Maximum

7A
250V

Material Info

Old Part Number

5096-02C

Reference - Drawing Numbers

Packaging Specification

SPK-5096-001

Product Specification

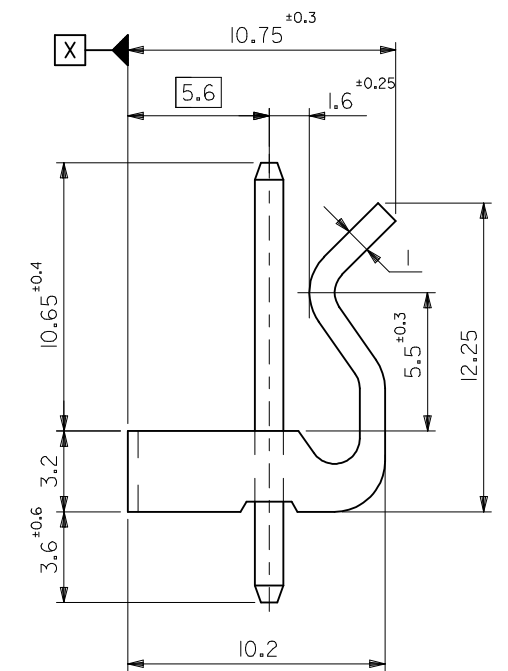
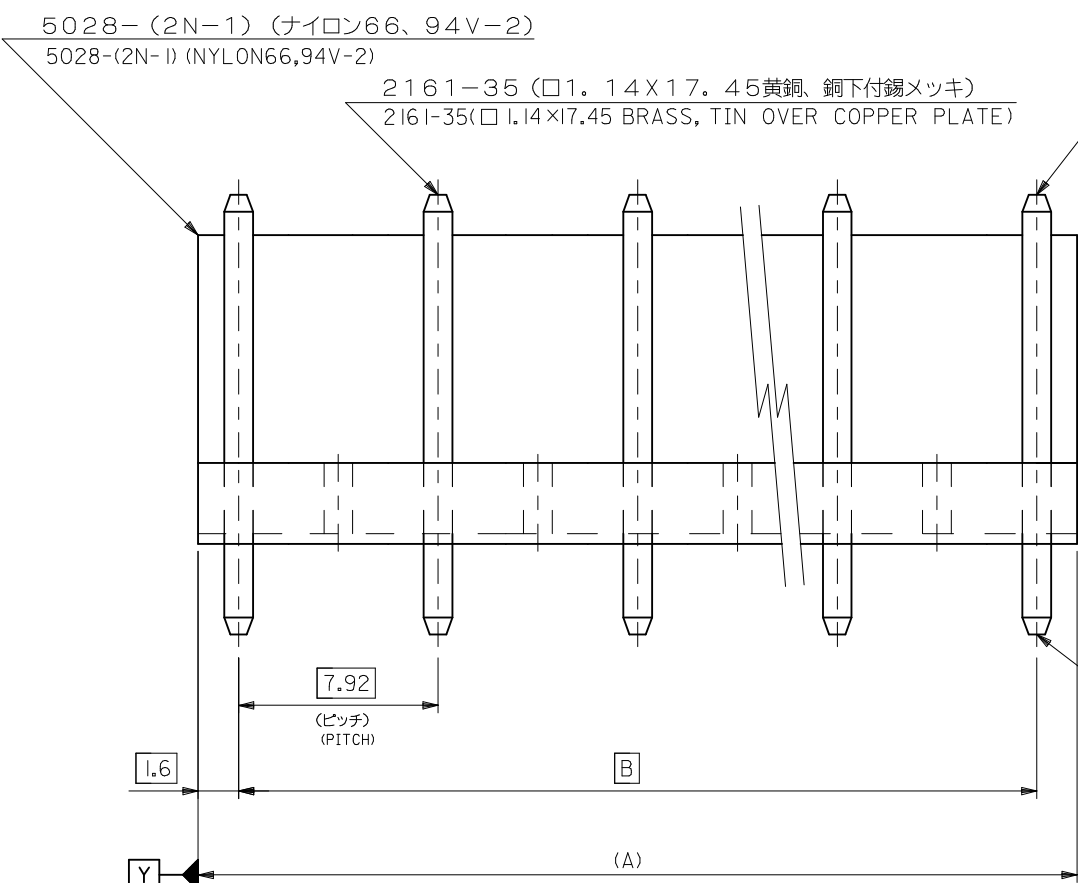
PS-5195-002, PS-5239-005

Sales Drawing

SD-5096-001

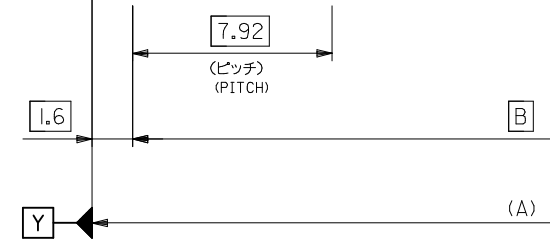
This document was generated on 05/24/2010

PLEASE CHECK WWW.MOLEX.COM FOR LATEST PART INFORMATION

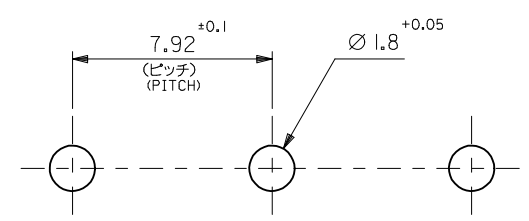


注記
NOTE

ウェハーのそりは、長さ25.4に対して0.24最大。
CAMBER OF WAFER MUST BE 0.24mm MAX. PER 25.4mm.



39.6	42.8	10-63-4067	5096-06C	6
31.68	34.88	10-63-4057	5096-05C	5
23.76	26.96	10-63-4047	5096-04C	4
15.84	19.04	10-63-4037	5096-03C	3
B	(A)	EDP.NO.	MATERIAL NO.	種数 NO. OF CKTS.
			MODEL NO.	5096-NC



基板取付穴推奨寸法
RECOMMENDED PC BOARD HOLE DIMENSION

REVISED EC NO: J2009-0320 DRWN: MAKURAA 2008/08/26 CHKD: T. HARUYAMA 2008/08/26 APPR: NUKITA 2008/12/09	GENERAL TOLERANCES (UNLESS SPECIFIED)		DIMENSION STYLE MM ONLY		SCALE 5:1	DESIGN UNITS METRIC	THIRD ANGLE PROJECTION	
	10 UNDER	±0.2	DRAWN BY M. HARA	DATE '96/6/20	TITLE KK7.92 WAFER ASSY WITH LOCK			
	10 OVER 30 UNDER	±0.25	CHECKED BY M. FUKUSHIMA	DATE '96/6/20	MOLEX INCORPORATED			
	30 OVER	±0.3	APPROVED BY M. ENOMOTO	DATE '96/6/20	DOCUMENT NO. SD-5096-001		SHEET NO. 1 OF 1	
REV	DESCRIPTION	ANGULAR ±3 °	MATERIAL NO. SEE TABLE		THIS DRAWING CONTAINS INFORMATION THAT IS PROPRIETARY TO MOLEX INCORPORATED AND SHOULD NOT BE USED WITHOUT WRITTEN PERMISSION			
		DRAFT WHERE APPLICABLE MUST REMAIN WITHIN DIMENSIONS		SIZE A3				