

Survey – Display drivers

U 3088 M U 3088 M-FP U 3089 M	U 3081 M U 3081 M-FP	U 3082 M	U 3084 M U 3084 M-FP U 3085 M	U 3079 M
Uncoded serial data input				
8 outputs open drain	15 outputs open drain	19 outputs open drain	19 outputs open drain	34 outputs curr. sink
Clear input				Brightness CTR. input
Cascadable				
Wired OR				
U 3089 M: Masc option with pull-up resistors			U 3085 M: Masc option with pull-up resistors	
NCMOS		NMOS	NCMOS	

U 3088 M · U 3088 M-FP · U 3089 M · Microcomputer controlled display drivers with 8 outputs

Supply voltage range	V_S	4.5...5.5	V
Quiescent supply current	I_S	100	μ A
Output voltage ($A_1 \dots A_8$) $I_{OL} = 15$ mA	V_{OL}	≤ 1	V

88 4379 0

Features:

- 8 buffered uncoded outputs, open drain, 15 mA each
- Cascadable through separate shifting register output
- Static drive of LEDs with common anode
- Serial data interface for microcomputer control
- Pull-up resistor at the inputs as a mask option (U 3089 M)

Case:

DIP 16 (U 3088 M, U 3089 M)
Dimensions see page 63
Fig. 105

or

SO 16 (U 3088 M-FP)
Dimensions see page 65
Fig. 112

U 3081 M · U 3081 M-FP · Microcomputer controlled display drivers with 15 outputs

Supply voltage range	V_S	4.5...5.5	V
Quiescent supply current	I_S	200	μ A
Output voltage ($A_1 \dots A_{15}$) $I_{OL} = 15$ mA	V_{OL}	≤ 1	V

88 6031 0

Features:

- 15 buffered uncoded outputs, open drain 15 mA
- Static drive of LEDs with common anode
- Serial data interface for microcomputer control

Case:

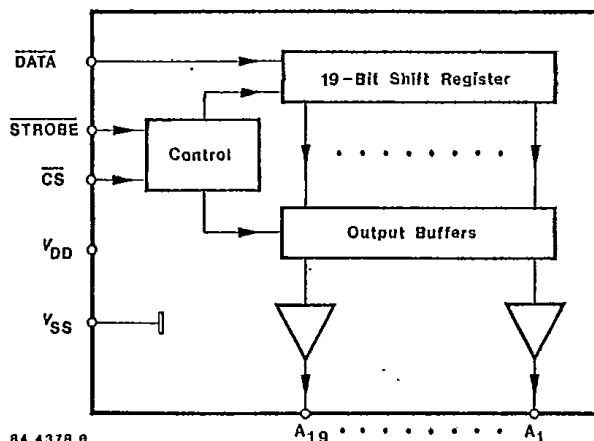
DIP 20 (U 3081 M)
Dimensions see page 63
Fig. 107

or

SO 20 (U 3081 M-FP)
Dimensions see page 65
Fig. 113

U 3082 M • Microcomputer controlled display drivers with 19 outputs

Supply voltage range	V_S	10.8...13.2	V
Quiescent supply current	I_S	6	mA
Output voltage ($A_1 \dots A_{19}$) $I_{OL} = 15 \text{ mA}$	V_{OL}	≤ 1	V



84 4378 0

Features:

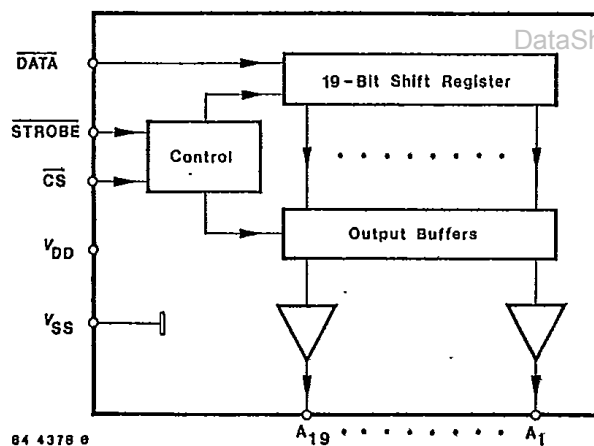
- 19 buffered uncoded outputs, open drain 15 mA each
- Static drive of LED indicators with common anode
- Serial data interface for microcomputer control

Case:

DIP 24
Dimensions see page 64
Fig. 108

U 3084 M • **U 3084 M-FP** • **U 3085 M** • Microcomputer controlled display drivers with 19 outputs

Supply voltage range	V_S	4.5...5.5	V
Quiescent supply current	I_S	200	μA
Output voltage ($A_1 \dots A_{19}$) $I_{OL} = 15 \text{ mA}$	V_{OL}	≤ 1	V



84 4378 0

Features:

- 19 buffered uncoded outputs, open drain 15 mA each
- Static drive of LEDs with common anode
- Serial data interface for microcomputer control
- Pull-up resistor at the inputs as a mask option (U 3085 M)
- C-MOS version of U 3082 M

Case:

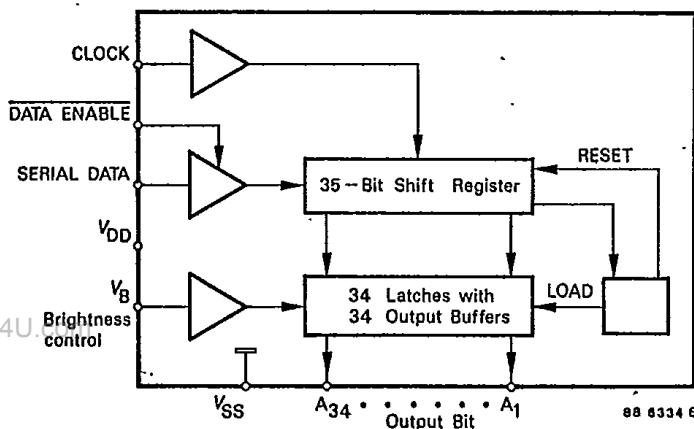
DIP 24 (U 3084 M, U 3085 M)
Dimensions see page 64
Fig. 108

or

SO 24 (U 3084 M-FP)
Dimensions see page 65
Fig. 114

U 3079 M • **T 3079 M** • Microcomputer controlled display drivers with 34 outputs

Supply voltage range	V_S	4.5...5.5	V
Quiescent supply current	I_S	2.5	mA



88 6334 0

Features:

- 34 buffered, uncoded outputs
- Current generator outputs, typ. 8 mA sink each
- Static drive of LED-displays with common anode
- Serial data-interface for software-controlled matching to microcomputers
- Continuous brightness control
- Data enable

Case:

DIP 40 (U 3079 M)
Dimensions see page 64
Fig. 109

or

Chip for hybrid construction (T 3079 M)