



SILICON LABORATORIES

# Si8440/1/2

## QUAD-CHANNEL DIGITAL ISOLATOR

### Features

- High-speed operation: DC – 150 Mbps
- Low propagation delay: <10 ns
- Wide Operating Supply Voltage: 2.375–5.5 V
- Low power: I1 + I2 < 12 mA/channel at 100 Mbps
- Precise timing: 2 ns pulse width distortion, 1 ns channel-channel matching, 2 ns pulse width skew
- 2500 V<sub>RMS</sub> isolation
- Transient Immunity: >25 kV/μs
- Tri-state outputs with ENABLE control
- DC correct
- No start-up initialization required
- <10 μs Startup Time
- High temperature operation: 125 °C at 100 Mbps, 100 °C at 150 Mbps
- Wide body SOIC-16 package

### Applications

- Isolated switch mode supplies
- Isolated ADC, DAC
- Motor control
- Power factor correction systems

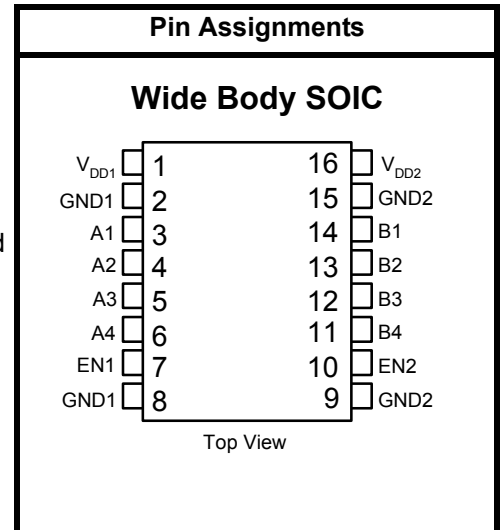
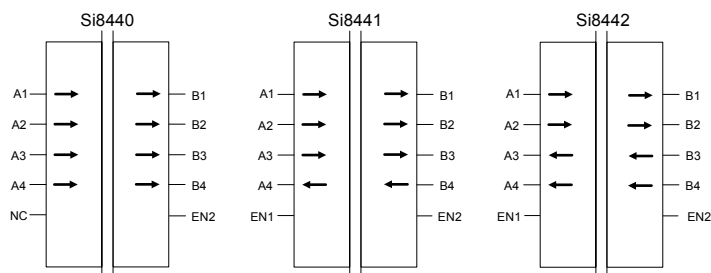
### Safety Regulatory Approvals

- UL recognition: 2500 V<sub>RMS</sub> for 1 Minute per UL1577
- CSA component acceptance notice #5A
- \* All Pending
- VDE certification conformity
  - DIN EN 60747-5-2 (VDE0884 Part 2):2003-01
  - DIN EN60950(VDE0805): 2001-12;EN60950:2000
  - V<sub>IORM</sub> = 560 V<sub>PEAK</sub>

### Description

Silicon Lab's family of digital isolators are CMOS devices that employ an RF coupler to transmit digital information across an isolation barrier. Very high speed operation at low power levels is achieved. These parts are available in a 16-pin wide body SOIC package. Three speed grade options (1, 10, 100 Mbps) are available and achieve typical propagation delay of less than 10 ns.

### Block Diagram





---

## TABLE OF CONTENTS

---

<b><u>Section</u></b>	<b><u>Page</u></b>
<b>1. Electrical Specifications</b> .....	<b>4</b>
<b>2. Typical Performance Characteristics</b> .....	<b>13</b>
<b>3. Application Information</b> .....	<b>15</b>
3.1. Theory of Operation .....	15
3.2. Eye Diagram .....	15
<b>4. Layout Recommendations</b> .....	<b>16</b>
4.1. Supply Bypass .....	16
4.2. Input and Output Characteristics .....	16
4.3. Enable Inputs .....	16
4.4. RF Immunity and Common Mode Transient Immunity .....	17
4.5. RF Radiated Emissions .....	18
<b>5. Pin Descriptions</b> .....	<b>19</b>
<b>6. Ordering Guide</b> .....	<b>20</b>
<b>7. Package Outline: Wide Body SOIC</b> .....	<b>21</b>
<b>Document Change List</b> .....	<b>22</b>
<b>Contact Information</b> .....	<b>24</b>



# Si8440/1/2

## 1. Electrical Specifications

**Table 1. Electrical Characteristics**

( $V_{DD1} = 5\text{ V}$ ,  $V_{DD2} = 5\text{ V}$ ,  $T_A = -40\text{ to }125\text{ C}^\circ$ )

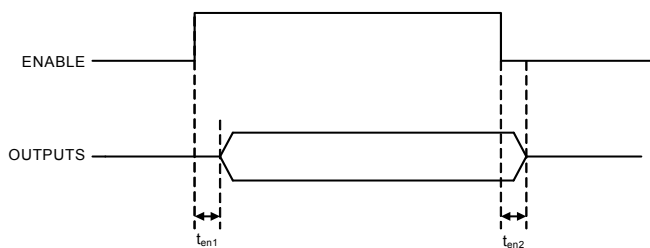
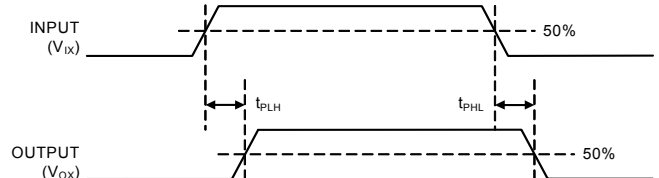
Parameter	Symbol	Test Condition	Min	Typ	Max	Unit
High Level Input Voltage	$V_{IH}$		2.0	—	—	V
Low Level Input Voltage	$V_{IL}$		—	—	0.8	V
High Level Output Voltage	$V_{OH}$	$I_{OH} = -4\text{ mA}$	$V_{DD1}, V_{DD2} - 0.4$	4.8	—	V
Low Level Output Voltage	$V_{OL}$	$I_{OL} = 4\text{ mA}$	—	0.2	0.4	V
Input Leakage Current	$I_L$		—	—	$\pm 10$	$\mu\text{A}$
Enable Input High Current	$I_{ENH}$	$V_{ENx} = V_{IH}$	—	4	—	$\mu\text{A}$
Enable Input Low Current	$I_{ENL}$	$V_{ENx} = V_{IL}$	—	20	—	$\mu\text{A}$
<b>DC Supply Current (All inputs 0 V or at Supply)</b>						
Si8440-A,-B,-C, $V_{DD1}$		All inputs 0 DC	—	7.5	—	mA
Si8440-A,-B,-C, $V_{DD2}$		All inputs 0 DC	—	7	—	mA
Si8440-A,-B,-C, $V_{DD1}$		All inputs 1 DC	—	15	—	mA
Si8440-A,-B,-C, $V_{DD2}$		All inputs 1 DC	—	6.5	—	mA
Si8441-A,-B,-C, $V_{DD1}$		All inputs 0 DC	—	8.7	—	mA
Si8441-A,-B,-C, $V_{DD2}$		All inputs 0 DC	—	11	—	mA
Si8441-A,-B,-C, $V_{DD1}$		All inputs 1 DC	—	14	—	mA
Si8441-A,-B,-C, $V_{DD2}$		All inputs 1 DC	—	12.5	—	mA
Si8442-A,-B,-C, $V_{DD1}$		All inputs 0 DC	—	10	—	mA
Si8442-A,-B,-C, $V_{DD2}$		All inputs 0 DC	—	10	—	mA
Si8442-A,-B,-C, $V_{DD1}$		All inputs 1 DC	—	13	—	mA
Si8442-A,-B,-C, $V_{DD2}$		All inputs 1 DC	—	13	—	mA
<b>10 Mbps Supply Current (All inputs = 5 MHz square wave, <math>C_I = 15\text{ pF}</math> on all outputs)</b>						
Si8440-B,-C, $V_{DD1}$			—	11	—	mA
Si8440-B,-C, $V_{DD2}$			—	9	—	mA
Si8441-B,-C, $V_{DD1}$			—	12	—	mA
Si8441-B,-C, $V_{DD2}$			—	13.5	—	mA
Si8442-B,-C, $V_{DD1}$			—	12.5	—	mA
Si8442-B,-C, $V_{DD2}$			—	12.5	—	mA
<b>100 Mbps Supply Current (All inputs = 50 MHz square wave, <math>C_I = 15\text{ pF}</math> on all outputs)</b>						
Si8440-C, $V_{DD1}$			—	12	—	mA
Si8440-C, $V_{DD2}$			—	27	—	mA
Si8441-C, $V_{DD1}$			—	16	—	mA
Si8441-C, $V_{DD2}$			—	27	—	mA
Si8442-C, $V_{DD1}$			—	21	—	mA
Si8442-C, $V_{DD2}$			—	21	—	mA

**Table 1. Electrical Characteristics (Continued)**(V<sub>DD1</sub> = 5 V, V<sub>DD2</sub> = 5 V, T<sub>A</sub> = -40 to 125 C°)

Parameter	Symbol	Test Condition	Min	Typ	Max	Unit
<b>Timing Characteristics</b>						
Maximum Data Rate			0	—	100	Mbps
Minimum Pulse Width			—	5	—	ns
Propagation Delay <sup>1</sup>	t <sub>PHL</sub> , t <sub>PLH</sub>		—	7.5	—	ns
Pulse Width Distortion  t <sub>PLH</sub> - t <sub>PHL</sub>   <sup>1</sup>	PWD		—	1	—	ns
Propagation Delay Skew <sup>2</sup>	t <sub>PSK</sub>		—	6	—	ns
Channel-Channel Skew <sup>3</sup>	t <sub>PSKCD/OD</sub>		—	0.5	—	ns
Output Rise Time		C1 = 15 pF	—	2	—	ns
Output Fall Time		C1 = 15 pF	—	2	—	ns
Common Mode Transient Immunity at Logic Low Output <sup>4</sup>	CM <sub>L</sub>		25	30	—	kV/μs
Common Mode Transient Immunity at Logic High Output <sup>4</sup>	CM <sub>H</sub>		25	30	—	kV/μs
Enable to Data Valid	t <sub>en1</sub>		—	5	—	ns
Enable to Data Tri-State	t <sub>en2</sub>		—	5	—	ns
Start-up Time <sup>5</sup>	t <sub>SU</sub>		—	3	—	μs

**Notes:**

- t<sub>PHL</sub> propagation delay is measured from the 50% level of the falling edge of the V<sub>ix</sub> signal to the 50% level of the falling edge of the V<sub>Ox</sub> signal. t<sub>PLH</sub> propagation delay is measured from the 50% level of the rising edge of the V<sub>ix</sub> signal to the 50% level of the rising edge of the V<sub>Ox</sub> signal.
- t<sub>PSK</sub> is the magnitude of the worst-case difference in t<sub>PHL</sub> or t<sub>PLH</sub> that is measured between units at the same operating temperature, supply voltages, and output load within the recommended operating conditions.
- Codirectional channel-to-channel matching is the absolute value of the difference in propagation delays between any two channels with inputs on the same side of the isolation barrier. Opposing-directional channel-to-channel matching is the absolute value of the difference in propagation delays between any two channels with inputs on opposing sides of the isolation barrier.
- CM<sub>H</sub> is the maximum common-mode voltage slew rate that can be sustained while maintaining V<sub>O</sub> > 0.8 V<sub>DD2</sub>. CM<sub>L</sub> is the maximum common-mode voltage slew rate that can be sustained while maintaining V<sub>O</sub> < 0.8 V. The common-mode voltage slew rates apply to both rising and falling common-mode voltage edges. The transient magnitude is the range over which the common mode is slewed.
- Start-up time is the time period from the application of power to valid data at the output.

**Figure 1. ENABLE Timing Diagram****Figure 2. Propagation Delay Timing**

# Si8440/1/2

**Table 2. Electrical Characteristics**

( $V_{DD1} = 3.3\text{ V}$ ,  $V_{DD2} = 3.3\text{ V}$ ,  $T_A = -40\text{ to }125\text{ C}^\circ$ )

Parameter	Symbol	Test Condition	Min	Typ	Max	Unit
High Level Input Voltage	$V_{IH}$		2.0	—	—	V
Low Level Input Voltage	$V_{IL}$		—	—	0.8	V
High Level Output Voltage	$V_{OH}$	$I_{OH} = -4\text{ mA}$	$V_{DD1}, V_{DD2} - 0.4$	3.1	—	V
Low Level Output Voltage	$V_{OL}$	$I_{OL} = 4\text{ mA}$	—	0.2	0.4	V
Input Leakage Current	$I_L$		—	—	$\pm 10$	$\mu\text{A}$
Enable Input High Current	$I_{ENH}$	$V_{ENx} = V_{IH}$	—	4	—	$\mu\text{A}$
Enable Input Low Current	$I_{ENL}$	$V_{ENx} = V_{IL}$	—	20	—	$\mu\text{A}$
<b>DC Supply Current (All inputs 0 V or at supply)</b>						
Si8440-A,-B,-C, $V_{DD1}$		All inputs 0 DC	—	7.3	—	mA
Si8440-A,-B,-C, $V_{DD2}$		All inputs 0 DC	—	6.5	—	mA
Si8440-A,-B,-C, $V_{DD1}$		All inputs 1 DC	—	14.3	—	mA
Si8440-A,-B,-C, $V_{DD2}$		All inputs 1 DC	—	6	—	mA
Si8441-A,-B,-C, $V_{DD1}$		All inputs 0 DC	—	8.3	—	mA
Si8441-A,-B,-C, $V_{DD2}$		All inputs 0 DC	—	10.8	—	mA
Si8441-A,-B,-C, $V_{DD1}$		All inputs 1 DC	—	13.3	—	mA
Si8441-A,-B,-C, $V_{DD2}$		All inputs 1 DC	—	11.8	—	mA
Si8442-A,-B,-C, $V_{DD1}$		All inputs 0 DC	—	9	—	mA
Si8442-A,-B,-C, $V_{DD2}$		All inputs 0 DC	—	9	—	mA
Si8442-A,-B,-C, $V_{DD1}$		All inputs 1 DC	—	12	—	mA
Si8442-A,-B,-C, $V_{DD2}$		All inputs 1 DC	—	12	—	mA
<b>10 Mbps Supply Current (All inputs = 5 MHz square wave, <math>C_I = 15\text{ pF}</math> on all outputs)</b>						
Si8440-B,-C, $V_{DD1}$			—	11	—	mA
Si8440-B,-C, $V_{DD2}$			—	8	—	mA
Si8441-B,-C, $V_{DD1}$			—	11.4	—	mA
Si8441-B,-C, $V_{DD2}$			—	14.5	—	mA
Si8442-B,-C, $V_{DD1}$			—	11.5	—	mA
Si8442-B,-C, $V_{DD2}$			—	11.5	—	mA
<b>100 Mbps Supply Current (All inputs = 50 MHz square wave, <math>C_I = 15\text{ pF}</math> on all outputs)</b>						
Si8440-C, $V_{DD1}$			—	11.4	—	mA
Si8440-C, $V_{DD2}$			—	18	—	mA
Si8441-C, $V_{DD1}$			—	12.5	—	mA
Si8441-C, $V_{DD2}$			—	21	—	mA
Si8442-C, $V_{DD1}$			—	17.5	—	mA
Si8442-C, $V_{DD2}$			—	17.5	—	mA

**Table 2. Electrical Characteristics (Continued)**(V<sub>DD1</sub> = 3.3 V, V<sub>DD2</sub> = 3.3 V, T<sub>A</sub> = -40 to 125 C°)

Parameter	Symbol	Test Condition	Min	Typ	Max	Unit
<b>Timing Characteristics</b>						
Maximum Data Rate			0	—	100	Mbps
Minimum Pulse Width			—	5	—	ns
Propagation Delay <sup>1</sup>	t <sub>PHL</sub> , t <sub>PLH</sub>		—	7.5	—	ns
Pulse Width Distortion  t <sub>PLH</sub> - t <sub>PHL</sub>   <sup>1</sup>	PWD		—	1	—	ns
Propagation Delay Skew <sup>2</sup>	t <sub>PSK</sub>		—	8	—	ns
Channel-Channel Skew <sup>3</sup>	t <sub>PSKCD/OD</sub>		—	1	—	ns
Output Rise Time		C1 = 15 pF	—	2	—	ns
Output Fall Time		C1 = 15 pF	—	2	—	ns
Common Mode Transient Immunity at Logic Low Output <sup>4</sup>	CM <sub>L</sub>		25	30	—	kV/μs
Common Mode Transient Immunity at Logic High Output <sup>4</sup>	CM <sub>H</sub>		25	30	—	kV/μs
Enable to Data Valid	t <sub>en1</sub>		—	5	—	ns
Enable to Data Tri-State	t <sub>en2</sub>		—	5	—	ns
Start-up Time <sup>5</sup>	t <sub>SU</sub>		—	3	—	μs

**Notes:**

1. t<sub>PHL</sub> propagation delay is measured from the 50% level of the falling edge of the V<sub>Ix</sub> signal to the 50% level of the falling edge of the V<sub>Ox</sub> signal. t<sub>PLH</sub> propagation delay is measured from the 50% level of the rising edge of the V<sub>Ix</sub> signal to the 50% level of the rising edge of the V<sub>Ox</sub> signal.
2. t<sub>PSK</sub> is the magnitude of the worst-case difference in t<sub>PHL</sub> or t<sub>PLH</sub> that is measured between units at the same operating temperature, supply voltages, and output load within the recommended operating conditions.
3. Codirectional channel-to-channel matching is the absolute value of the difference in propagation delays between any two channels with inputs on the same side of the isolation barrier. Opposing-directional channel-to-channel matching is the absolute value of the difference in propagation delays between any two channels with inputs on opposing sides of the isolation barrier.
4. CM<sub>H</sub> is the maximum common-mode voltage slew rate that can be sustained while maintaining V<sub>O</sub> > 0.8 V<sub>DD2</sub>. CM<sub>L</sub> is the maximum common-mode voltage slew rate that can be sustained while maintaining V<sub>O</sub> < 0.8 V. The common-mode voltage slew rates apply to both rising and falling common-mode voltage edges. The transient magnitude is the range over which the common mode is slewed.
5. Start-up time is the time period from the application of power to valid data at the output.

# Si8440/1/2

**Table 3. Electrical Characteristics**

( $V_{DD1} = 2.5\text{ V}$ ,  $V_{DD2} = 2.5\text{ V}$ ,  $T_A = -40\text{ to }100\text{ C}^\circ$ )

Parameter	Symbol	Test Condition	Min	Typ	Max	Unit
High Level Input Voltage	$V_{IH}$		2.0	—	—	V
Low Level Input Voltage	$V_{IL}$		—	—	0.8	V
High Level Output Voltage	$V_{OH}$	$I_{OH} = -4\text{ mA}$	$V_{DD1}, V_{DD2} - 0.4$	2.3	—	V
Low Level Output Voltage	$V_{OL}$	$I_{OL} = 4\text{ mA}$	—	0.2	0.4	V
Input Leakage Current	$I_L$		—	—	$\pm 10$	$\mu\text{A}$
Enable Input High Current	$I_{ENH}$	$V_{ENx} = V_{IH}$	—	4	—	$\mu\text{A}$
Enable Input Low Current	$I_{ENL}$	$V_{ENx} = V_{IL}$	—	20	—	$\mu\text{A}$
<b>DC Supply Current (All inputs 0 V or at supply)</b>						
Si8440-A,-B,-C, $V_{DD1}$		All inputs 0 DC	—	6.8	—	mA
Si8440-A,-B,-C, $V_{DD2}$		All inputs 0 DC	—	6.3	—	mA
Si8440-A,-B,-C, $V_{DD1}$		All inputs 1 DC	—	12.5	—	mA
Si8440-A,-B,-C, $V_{DD2}$		All inputs 1 DC	—	5.8	—	mA
Si8441-A,-B,-C, $V_{DD1}$		All inputs 0 DC	—	7.8	—	mA
Si8441-A,-B,-C, $V_{DD2}$		All inputs 0 DC	—	9.8	—	mA
Si8441-A,-B,-C, $V_{DD1}$		All inputs 1 DC	—	12.5	—	mA
Si8441-A,-B,-C, $V_{DD2}$		All inputs 1 DC	—	11	—	mA
Si8442-A,-B,-C, $V_{DD1}$		All inputs 0 DC	—	8.8	—	mA
Si8442-A,-B,-C, $V_{DD2}$		All inputs 0 DC	—	8.5	—	mA
Si8442-A,-B,-C, $V_{DD1}$		All inputs 1 DC	—	11.5	—	mA
Si8442-A,-B,-C, $V_{DD2}$		All inputs 1 DC	—	11.5	—	mA
<b>10 Mbps Supply Current (All inputs = 5 MHz square wave, <math>C_I = 15\text{ pF}</math> on all outputs)</b>						
Si8440-B,-C, $V_{DD1}$			—	10.2	—	mA
Si8440-B,-C, $V_{DD2}$			—	7	—	mA
Si8441-B,-C, $V_{DD1}$			—	10.5	—	mA
Si8441-B,-C, $V_{DD2}$			—	11.5	—	mA
Si8442-B,-C, $V_{DD1}$			—	11	—	mA
Si8442-B,-C, $V_{DD2}$			—	11	—	mA
<b>100 Mbps Supply Current (All inputs = 50 MHz square wave, <math>C_I = 15\text{ pF}</math> on all outputs)</b>						
Si8440-C, $V_{DD1}$			—	10.8	—	mA
Si8440-C, $V_{DD2}$			—	14.5	—	mA
Si8441-C, $V_{DD1}$			—	12.5	—	mA
Si8441-C, $V_{DD2}$			—	17	—	mA
Si8442-C, $V_{DD1}$			—	15	—	mA
Si8442-C, $V_{DD2}$			—	15	—	mA



**Table 3. Electrical Characteristics (Continued)**(V<sub>DD1</sub> = 2.5 V, V<sub>DD2</sub> = 2.5 V, T<sub>A</sub> = -40 to 100 C°)

Parameter	Symbol	Test Condition	Min	Typ	Max	Unit
<b>Timing Characteristics</b>						
Maximum Data Rate			0	—	100	Mbps
Minimum Pulse Width			—	5	—	ns
Propagation Delay <sup>1</sup>	t <sub>PHL</sub> , t <sub>PLH</sub>		—	12	—	ns
Pulse Width Distortion  t <sub>PLH</sub> - t <sub>PHL</sub>   <sup>1</sup>	PWD		—	1.5	—	ns
Propagation Delay Skew <sup>2</sup>	t <sub>PSK</sub>		—	10	—	ns
Channel-Channel Skew <sup>3</sup>	t <sub>PSKCD/OD</sub>		—	1	—	ns
Output Rise Time		C1 = 15 pF	—	2	—	ns
Output Fall Time		C1 = 15 pF	—	2	—	ns
Common Mode Transient Immunity at Logic Low Output <sup>4</sup>	CM <sub>L</sub>		25	30	—	kV/μs
Common Mode Transient Immunity at Logic High Output <sup>4</sup>	CM <sub>H</sub>		25	30	—	kV/μs
Enable to Data Valid	t <sub>en1</sub>		—	5	—	ns
Enable to Data Tri-State	t <sub>en2</sub>		—	5	—	ns
Start-up Time <sup>5</sup>	t <sub>SU</sub>		—	3	—	μs

**Notes:**

1. t<sub>PHL</sub> propagation delay is measured from the 50% level of the falling edge of the V<sub>Ix</sub> signal to the 50% level of the falling edge of the V<sub>Ox</sub> signal. t<sub>PLH</sub> propagation delay is measured from the 50% level of the rising edge of the V<sub>Ix</sub> signal to the 50% level of the rising edge of the V<sub>Ox</sub> signal.
2. t<sub>PSK</sub> is the magnitude of the worst-case difference in t<sub>PHL</sub> or t<sub>PLH</sub> that is measured between units at the same operating temperature, supply voltages, and output load within the recommended operating conditions.
3. Codirectional channel-to-channel matching is the absolute value of the difference in propagation delays between any two channels with inputs on the same side of the isolation barrier. Opposing-directional channel-to-channel matching is the absolute value of the difference in propagation delays between any two channels with inputs on opposing sides of the isolation barrier.
4. CM<sub>H</sub> is the maximum common-mode voltage slew rate that can be sustained while maintaining V<sub>O</sub> > 0.8 V<sub>DD2</sub>. CM<sub>L</sub> is the maximum common-mode voltage slew rate that can be sustained while maintaining V<sub>O</sub> < 0.8 V. The common-mode voltage slew rates apply to both rising and falling common-mode voltage edges. The transient magnitude is the range over which the common mode is slewed.
5. Start-up time is the time period from the application of power to valid data at the output.

# Si8440/1/2

**Table 4. Recommended Operating Conditions**

Parameter	Symbol	Test Condition	Min	Typ	Max	Unit
Ambient Operating Temperature*	$T_A$	100 Mbps, 15 pF, 5 V	-40	25	125	°C
		150 Mbps, 15 pF, 5 V	0	25	100	°C
Supply Voltage	$V_{DD1}$		2.375	—	5.5	V
	$V_{DD2}$		2.375	—	5.5	V

**\*Note:** The maximum ambient temperature is dependent on data frequency, output loading, number of operating channels, and supply voltage.

**Table 5. Absolute Maximum Ratings**

Parameter	Symbol	Min	Typ	Max	Unit
Storage Temperature	$T_{STG}$	-65	—	150	°C
Ambient Temperature Under Bias	$T_A$	-40	—	125	°C
Supply Voltage	$V_{DD1}, V_{DD2}$	-0.5	—	6	V
Input Voltage	$V_I$	-0.5	—	$V_{DD} + 0.5$	V
Output Voltage	$V_O$	-0.5	—	$V_{DD} + 0.5$	V
Output Current Drive Channel	$L_O$	—	—	10	mA
Lead Solder Temperature (10s)		—	—	260	°C
Maximum Isolation Voltage		—	—	4000	$V_{DC}$

**Note:** Permanent device damage may occur if the above Absolute Maximum Ratings are exceeded. Functional operation should be restricted to conditions as specified in the operational sections of this data sheet. Exposure to absolute maximum rating conditions for extended periods may affect device reliability.

**Table 6. Package Characteristics**

Parameter	Symbol	Test Condition	Min	Typ	Max	Unit
Resistance (Input-Output) <sup>1</sup>	$R_{IO}$		—	$10^{12}$	—	$\Omega$
Capacitance (Input-Output) <sup>1</sup>	$C_{IO}$	$f = 1 \text{ MHz}$	—	1.4	—	pF
Input Capacitance <sup>2</sup>	$C_I$		—	4.0	—	pF
IC Junction-to-Case Thermal Resistance, Side 1	$\theta_{JCI}$	Thermocouple located at center of package underside	—	33	—	°C/W
IC Junction-to-Case Thermal Resistance, Side 2	$\theta_{JCO}$		—	28	—	°C/W

**Notes:**

1. Device considered a 2-terminal device; Pins 1– 8 shorted together and pins 9–16 shorted together.
2. Input capacitance is from any input data pin to ground.

**Table 7. Regulatory Information**

The Si84xx have been approved by the organizations listed below.

UL <sup>1</sup>	CSA	VDE <sup>2</sup>
Recognized under 1577 component recognition program <sup>1</sup>	Approved under CSA Component Acceptance Notice #5A	Certified according to DIN EN 60747-5-2 (VDE 0884 Part 2): 2003-01 <sup>2</sup>
Basic insulation, 2500 V RMS isolation voltage	Reinforced insulation per CSA 60950-1-03 and IEC 60950-1, 400 V RMS maximum working voltage	Basic insulation, 560 V peak Complies with DIN EN 60747-5-2 (VDE 0884 Part 2): 2003-01, DIN EN 60950 (VDE 0805): 2001-12; EN 60950:2000 Reinforced insulation, 560 V peak
File E257455	File 2500035643	File 5006301-4880-0001
<b>Notes:</b> <ol style="list-style-type: none"> <li>1. In accordance with UL1577, each Si84xx is proof tested by applying an insulation test voltage <math>\geq 3000</math> V RMS for 1 second (current leakage detection limit = 5 <math>\mu</math>A).</li> <li>2. In accordance with DIN EN 60747-5-2, each Si84xx is proof tested by applying an insulation test voltage <math>\geq 1050</math> V peak for 1 second (partial discharge detection limit = 5 pC). A “*” mark branded on the component designates DIN EN 60747-5-2 approval.</li> </ol>		

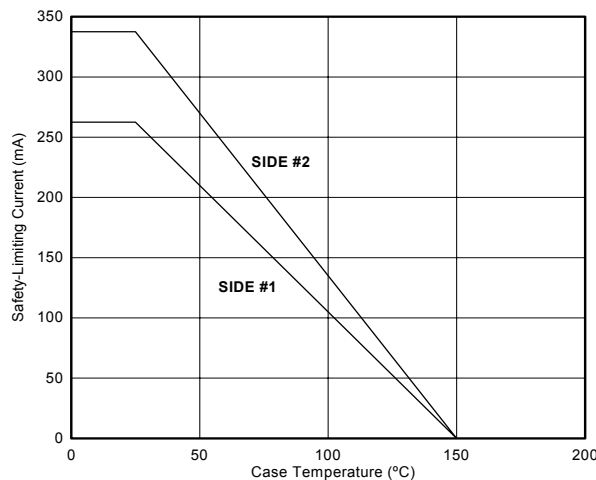
**Table 8. Insulation and Safety-related Specifications**

Parameter	Symbol	Test Condition	Value	Unit
Rated Dielectric Insulation Voltage		1 minute duration	2500	V <sub>RMS</sub>
Minimum External Air Gap (Clearance)	L(IO1)	Measured from input terminals to output terminals, shortest distance through air	7.7 min	mm
Minimum External Tracking (Creepage)	L(IO2)	Measured from input terminals to output terminals, shortest distance path along body	8.1	mm
Minimum Internal Gap (Internal Clearance)		Insulation distance through insulation	0.017 min	mm
Tracking Resistance (Comparative Tracking Index)	CTI	DIN IEC 112/VDE 0303 Part 1	>175	V
Basic Isolation Group		Material Group (DIN VDE 0110, 1/89, Table 1)	IIIa	

# Si8440/1/2

**Table 9. DIN EN 60747-5-2 (VDE 0884 Part 2) Insulation Characteristics<sup>1,2</sup>**

Description	Symbol	Characteristic	Unit
Installation Classification per DIN VDE 0110 For Rated Mains Voltages $\leq 150 V_{RMS}$ For Rated Mains Voltages $\leq 300 V_{RMS}$ For Rated Mains Voltages $\leq 400 V_{RMS}$		I-IV I-III I-II	
Climatic Classification		40/125/21	
Pollution Degree (DIN VDE 0110, Table 1)		2	
Maximum Working Insulation Voltage	$V_{IORM}$	560	$V_{PEAK}$
Input to Output Test Voltage, Method b1 ( $V_{IORM} \times 1.875 = V_{PR}$ , 100% Production Test, $t_m = 1$ sec, Partial Discharge $< 5$ pC)	$V_{PR}$	1050	$V_{PEAK}$
Input to Output Test Voltage, Method a After Environmental Tests Subgroup 1 ( $V_{IORM} \times 1.6 = V_{PR}$ , $t_m = 60$ sec, Partial Discharge $< 5$ pC) After Input and/or Safety Test Subgroup 2/3 ( $V_{IORM} \times 1.2 = V_{PR}$ , $t_m = 60$ sec, Partial Discharge $< 5$ pC)	$V_{PR}$	896 672	$V_{PEAK}$ $V_{PEAK}$
Highest Allowable Overvoltage (Transient Overvoltage, $t_{TR} = 10$ sec)	$V_{TR}$	4000	$V_{PEAK}$
Safety-Limiting Values (Maximum value allowed in the event of a failure; also see the thermal derating curve, Figure 3) Case Temperature Side 1 Current Side 2 Current	$T_S$ $I_{S1}$ $I_{S2}$	150 265 335	$^{\circ}C$ mA mA
Insulation Resistance at $T_S$ , $V_{IO} = 500$ V	$R_S$	$>10^9$	$\Omega$
<b>Notes:</b> 1. This isolator is suitable for basic electrical isolation only within the safety limit data. Maintenance of the safety data is ensured by protective circuits. 2. The * marking on packages denotes DIN EN 60747-5-2 approval for 560 V peak working voltage.			



**Figure 3. Thermal Derating Curve, Dependence of Safety Limiting Values with Case Temperature per DIN EN 60747-5-2**

## 2. Typical Performance Characteristics

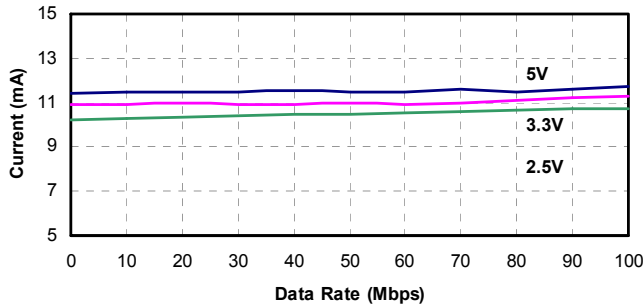


Figure 4. Si8440 Typical  $V_{DD1}$  Supply Current vs. Data Rate 5, 3.3, and 2.5 V Operation

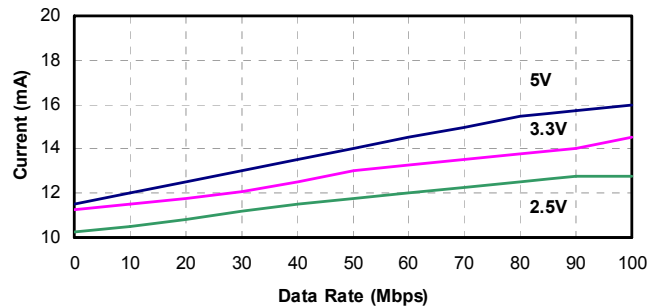


Figure 6. Si8441 Typical  $V_{DD1}$  Supply Current vs. Data Rate 5, 3.3, and 2.5 V Operation

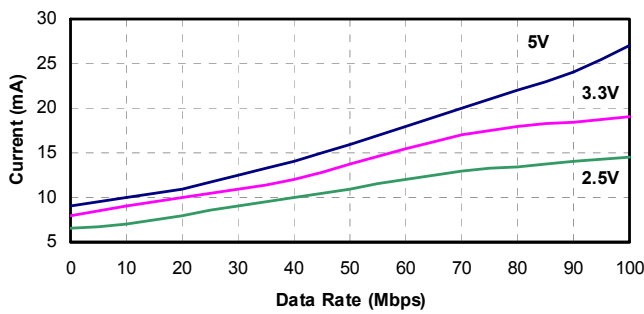


Figure 5. Si8440 Typical  $V_{DD2}$  Supply Current vs. Data Rate 5, 3.3, and 2.5 V Operation (15 pF Load)

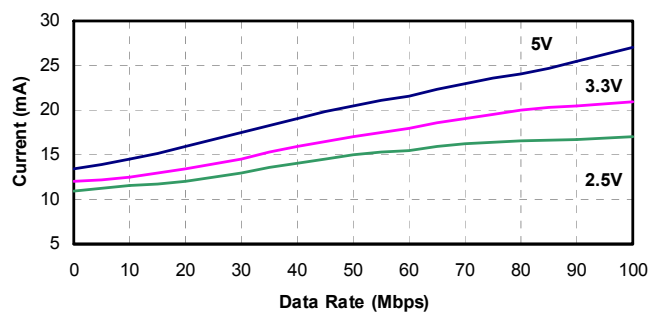


Figure 7. Si8441 Typical  $V_{DD2}$  Supply Current vs. Data Rate 5, 3.3, and 2.5 V Operation (15 pF Load)

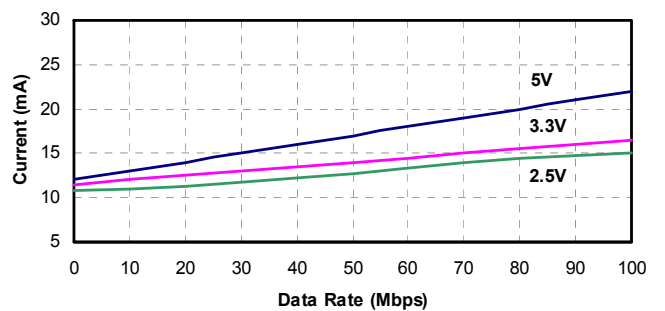
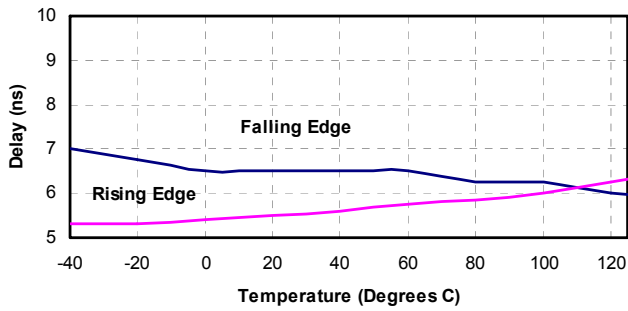
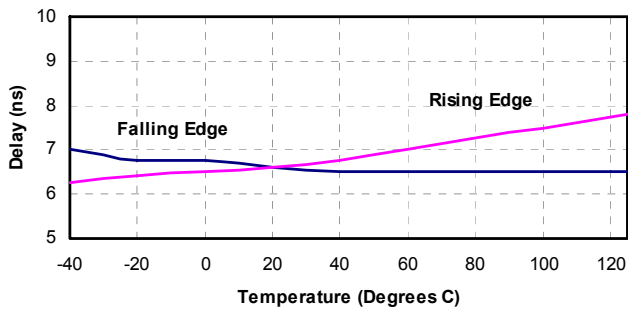


Figure 8. Si8442 Typical  $V_{DD1}$  or  $V_{DD2}$  Supply Current vs. Data Rate 5, 3.3, and 2.5 V Operation (15 pF Load)

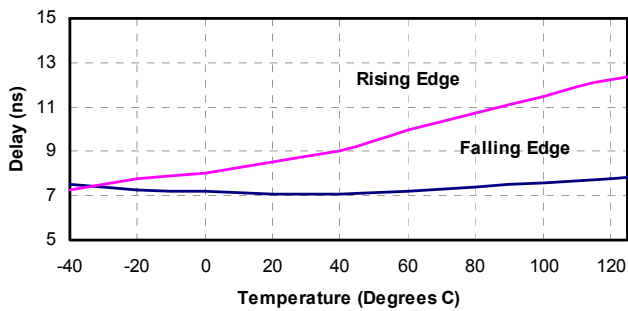
# Si8440/1/2



**Figure 9. Propagation Delay vs. Temperature 5 V Operation**



**Figure 10. Propagation Delay vs. Temperature 3.3 V Operation**



**Figure 11. Propagation Delay vs. Temperature 2.5 V Operation**

### 3. Application Information

#### 3.1. Theory of Operation

The operation of an Si8440 channel is analogous to that of an opto coupler, except an RF carrier is modulated instead of light. This simple architecture provides a robust isolated data path and requires no special considerations or initialization at start-up. A simplified block diagram for a single Si8440 channel is shown in Figure 12. A channel consists of an RF transmitter and receiver separated by a transformer.

Referring to the transmitter, input A modulates the carrier provided by an RF oscillator using on/off keying and applies the resulting waveform to the primary of the transformer. The receiver contains a demodulator that decodes the input state according to its RF energy content and applies the result to output B via the output driver.

#### 3.2. Eye Diagram

Figure 13 illustrates an eye-diagram taken on an Si8440-IS. The test used an Anritsu (MP1763C) Pulse Pattern Generator for the data source. The output of the generator's clock and data from an Si8440-IS were captured on an oscilloscope. The results illustrate that data integrity was maintained even at the high data rate of 150 Mbps. The results also show that very low pulse width distortion and very little jitter were exhibited.

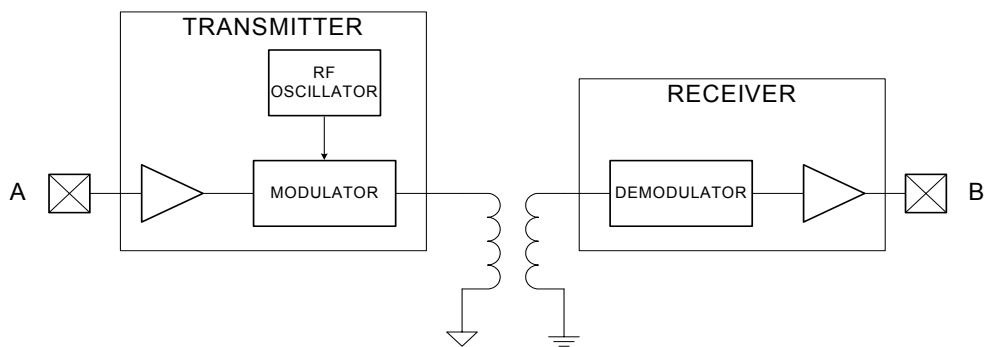


Figure 12. Simplified Channel Diagram

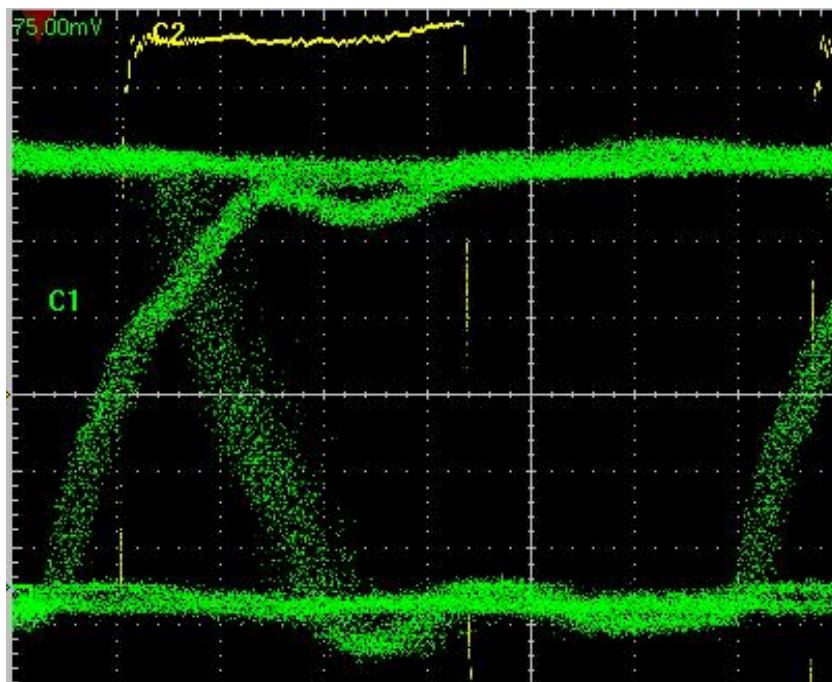


Figure 13. Eye Diagram

# Si8440/1/2

## 4. Layout Recommendations

Dielectric isolation is a set of specifications produced by the safety regulatory agencies from around the world that describes the physical construction of electrical equipment that derives power from a high-voltage power system such as 100–240 V<sub>AC</sub> systems or industrial power systems. The dielectric test (or HIPOT test) given in the safety specifications places a very high voltage between the input power pins of a product and the user circuits and the user touchable surfaces of the product. For the IEC relating to products deriving their power from the 220–240 V power grids, the test voltage is 2500 V<sub>AC</sub> (or 3750 V<sub>DC</sub>—the peak equivalent voltage).

There are two terms described in the safety specifications:

- Creepage—the distance along the insulating surface an arc may travel.
- Clearance—the distance through the shortest path through air that an arc may travel.

Figure 14 illustrates the accepted method of providing the proper creepage distance along the surface. For a 220–240 V application, this distance is 8 mm and the wide body SOIC package must be used. There must be no copper traces within this 8 mm exclusion area, and the surface should have a conformal coating such as solder resist. The digital isolator chip must straddle this exclusion area.

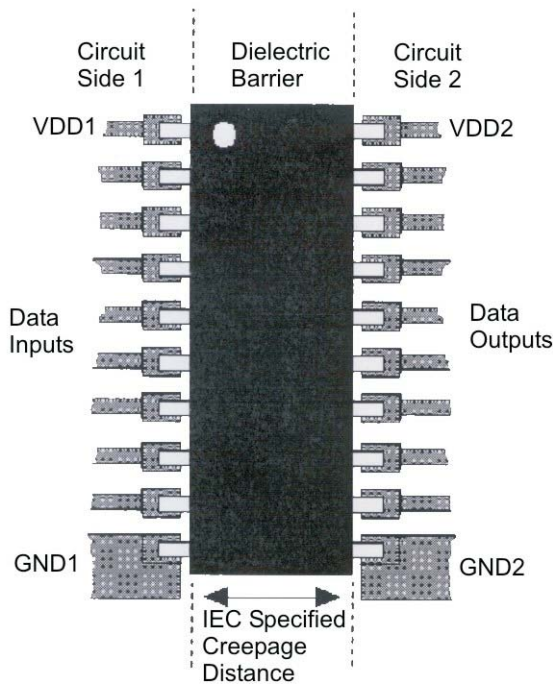


Figure 14. Creepage Distance

### 4.1. Supply Bypass

The Si8440 requires a 0.1  $\mu\text{F}$  bypass capacitor between V<sub>DD1</sub> and GND1 and V<sub>DD2</sub> and GND2. The capacitor should be placed as close as possible to the package.

### 4.2. Input and Output Characteristics

The Si8440 inputs and outputs are standard CMOS drivers/receivers.

### 4.3. Enable Inputs

The receiver output drivers are enabled when the Enable input is high and the drivers remain in a high-impedance state when Enable is low. The Enable input can be used for multiplexing or as a clock sync input. Supply currents remain at their nominal values when Enable is low. The Enable inputs must be tied to a logic level.



#### 4.4. RF Immunity and Common Mode Transient Immunity

The Si8440 family has very high common mode transient immunity while transmitting data. This is typically measured by applying a square pulse with very fast rise/fall times between the isolated grounds. Measurements show no failures up to  $30 \text{ kV}/\mu\text{s}$ . During a high surge event the output may glitch low for up to 20–30 ns, but the output corrects immediately after the surge event.

The Si844x family passes the industrial requirements of CISPR24 for RF immunity of 3 V/m using an unshielded evaluation board. As shown in Figure 15, the isolated ground planes form a parasitic dipole antenna, while Figure 16 shows the RMS common mode voltage versus frequency above which the Si844x becomes susceptible to data corruption. To avoid compromising data, care must be taken to keep RF common-mode voltage below the envelope specified in Figure 16. The PCB should be laid-out to not act as an efficient antenna for the RF frequency of interest. RF susceptibility is also significantly reduced when the end system is housed in a metal enclosure, or otherwise shielded.

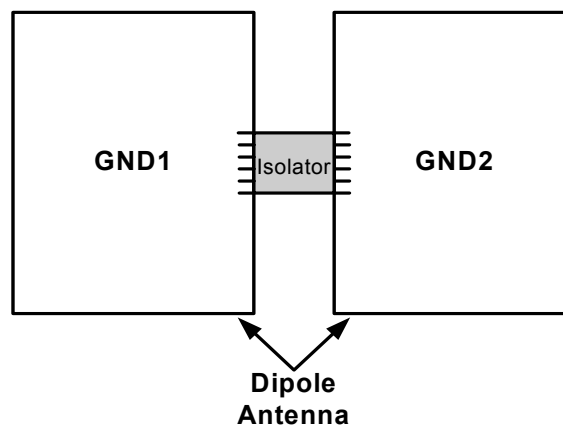


Figure 15. Dipole Antenna

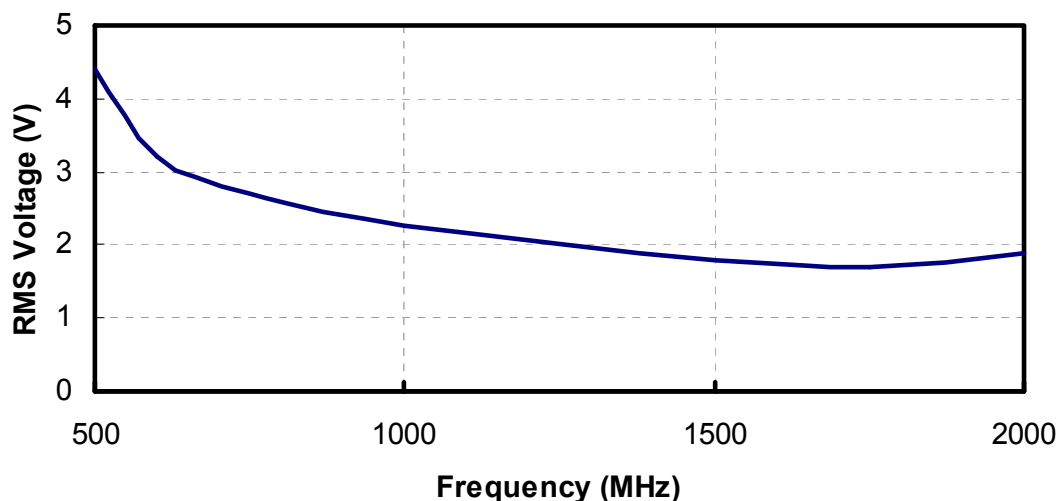


Figure 16. RMS Common Mode Voltage vs. Frequency

# Si8440/1/2

---

## 4.5. RF Radiated Emissions

The Si8440 family uses a RF carrier frequency of approximately 2.1 GHz. This will result in a small amount of radiated emissions at this frequency and its harmonics. The radiation is not from the IC chip but due to a small amount of RF energy driving the isolated ground planes which can act as a dipole antenna.

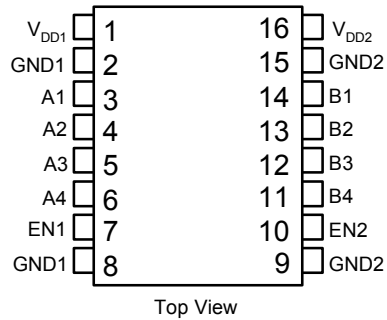
The unshielded Si8440 evaluation board passes FCC requirements. Table 10 shows measured emissions compared to FCC requirements.

Radiated emissions can be reduced if the circuit board is enclosed in a shielded enclosure or if the PCB is a less efficient antenna.

**Table 10. Radiated Emissions**

Frequency (GHz)	Measured (dB $\mu$ V/m)	FCC Spec (dB $\mu$ V/m)	Compared to Spec (dB)
2.094	70.0	74.0	-4.0
2.168	68.3	74.0	-5.7
4.210	61.9	74.0	-12.1
4.337	60.7	74.0	-13.3
6.315	58.3	74.0	-15.7
6.505	60.7	74.0	-13.3
8.672	45.6	74.0	-28.4

## 5. Pin Descriptions



### Wide Body SOIC

Name	SOIC-16 Pin#	Type	Description
V <sub>DD1</sub>	1	Supply	Side 1 power supply.
GND1	2	Ground	Side 1 ground.
A1	3	Digital Input	Side 1 digital input.
A2	4	Digital Input	Side 1 digital input.
A3	5	Digital I/O	Side 1 digital input or output.
A4	6	Digital I/O	Side 1 digital input or output.
EN1	7	Digital Input	Side 1 active high enable. NC on Si8440.
GND1	8	Ground	Side 1 ground.
GND2	9	Ground	Side 2 ground.
EN2	10	Digital Input	Side 2 active high enable.
B4	11	Digital I/O	Side 2 digital input or output.
B3	12	Digital I/O	Side 2 digital input or output.
B2	13	Digital Output	Side 2 digital output.
B1	14	Digital Output	Side 2 digital output.
GND2	15	Ground	Side 2 ground.
V <sub>DD2</sub>	16	Supply	Side 2 power supply.

# Si8440/1/2

---

## 6. Ordering Guide

Ordering Part Number	Number of Inputs $V_{DD1}$ Side	Number of Inputs $V_{DD2}$ Side	Maximum Data Rate	Temperature	Package Type
Si8440-A-IS	4	0	1	-40 to 125 °C	SOIC-16
Si8440-B-IS	4	0	10	-40 to 125 °C	SOIC-16
Si8440-C-IS	4	0	100	-40 to 125 °C	SOIC-16
Si8441-A-IS	3	1	1	-40 to 125 °C	SOIC-16
Si8441-B-IS	3	1	10	-40 to 125 °C	SOIC-16
Si8441-C-IS	3	1	100	-40 to 125 °C	SOIC-16
Si8442-A-IS	2	2	1	-40 to 125 °C	SOIC-16
Si8442-B-IS	2	2	10	-40 to 125 °C	SOIC-16
Si8442-C-IS	2	2	100	-40 to 125 °C	SOIC-16

**Note:** All packages are Pb-free and RoHS compliant. Moisture sensitivity level is MSL2 with peak reflow temperature of 260 °C according to the JEDEC industry standard classifications, and peak solder temperature.

### 7. Package Outline: Wide Body SOIC

Figure 17 illustrates the package details for the Quad-Channel Digital Isolator. Table 14 lists the values for the dimensions shown in the illustration.

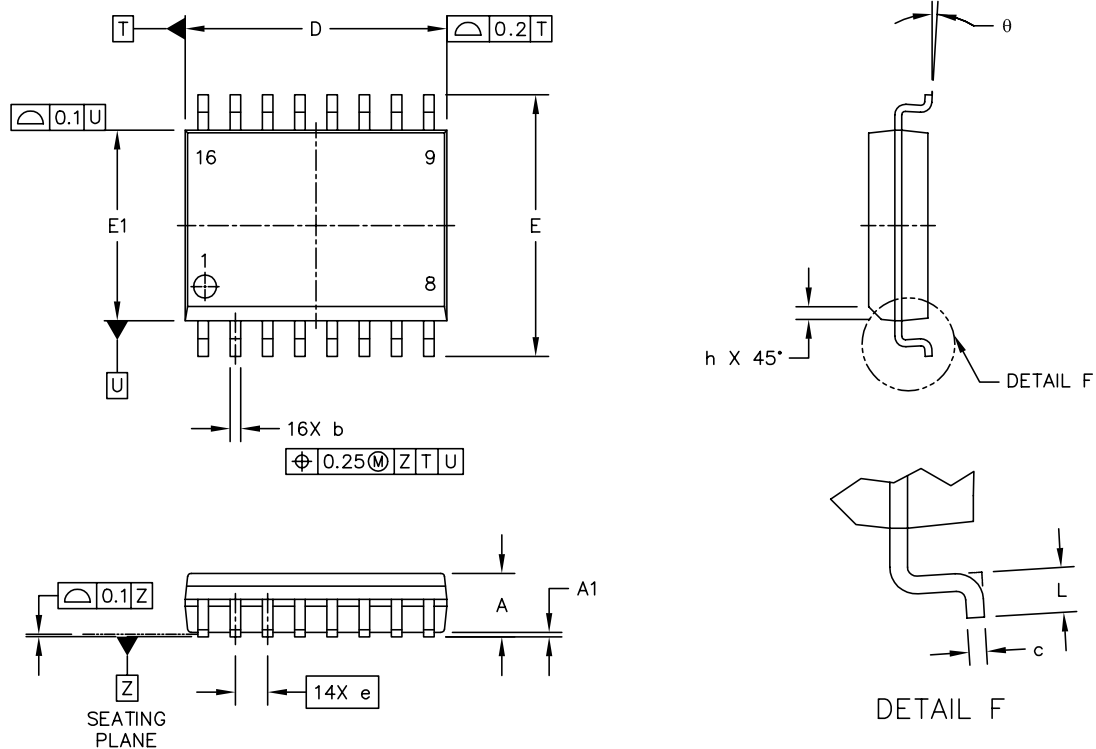


Figure 17. 16-Pin Wide Body SOIC

Table 14. Package Diagram Dimensions

Symbol	Millimeters	
	Min	Max
A	—	2.65
A1	0.1	0.3
D	10.3 BSC	
E	10.3 BSC	
E1	7.5 BSC	
b	0.31	0.51
c	0.20	0.33
e	1.27 BSC	
h	0.25	0.75
L	0.4	1.27
θ	0°	7°

## DOCUMENT CHANGE LIST

### Revision 0.2 to Revision 0.3

- Added enable high and low typical current specifications to Tables 1, 2, and 3.
- Added startup time specifications (with note 5) to Tables 1, 2, and 3.
- Rewrote paragraph 1 in section "4.4. RF Immunity and Common Mode Transient Immunity" on page 17 to reflect 30 kV/ $\mu$ s transient immunity capability.

**NOTES:**

# Si8440/1/2

---

## CONTACT INFORMATION

### Silicon Laboratories Inc.

4635 Boston Lane  
Austin, TX 78735  
Tel: 1+(512) 416-8500  
Fax: 1+(512) 416-9669  
Toll Free: 1+(877) 444-3032  
Email: [MCUinfo@silabs.com](mailto:MCUinfo@silabs.com)  
Internet: [www.silabs.com](http://www.silabs.com)

The information in this document is believed to be accurate in all respects at the time of publication but is subject to change without notice. Silicon Laboratories assumes no responsibility for errors and omissions, and disclaims responsibility for any consequences resulting from the use of information included herein. Additionally, Silicon Laboratories assumes no responsibility for the functioning of undescribed features or parameters. Silicon Laboratories reserves the right to make changes without further notice. Silicon Laboratories makes no warranty, representation or guarantee regarding the suitability of its products for any particular purpose, nor does Silicon Laboratories assume any liability arising out of the application or use of any product or circuit, and specifically disclaims any and all liability, including without limitation consequential or incidental damages. Silicon Laboratories products are not designed, intended, or authorized for use in applications intended to support or sustain life, or for any other application in which the failure of the Silicon Laboratories product could create a situation where personal injury or death may occur. Should Buyer purchase or use Silicon Laboratories products for any such unintended or unauthorized application, Buyer shall indemnify and hold Silicon Laboratories harmless against all claims and damages.

Silicon Laboratories and Silicon Labs are trademarks of Silicon Laboratories Inc.  
Other products or brandnames mentioned herein are trademarks or registered trademarks of their respective holders.