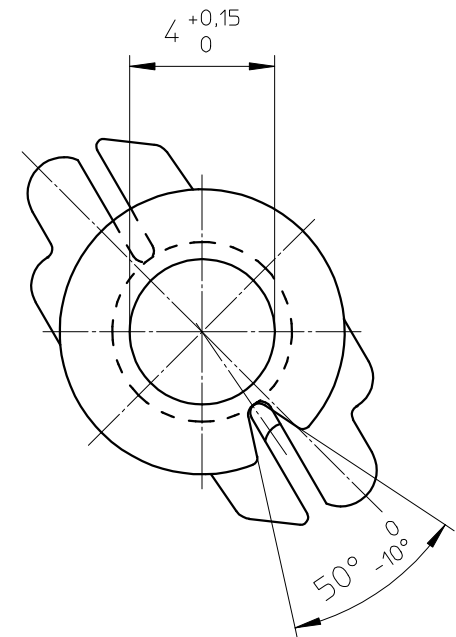
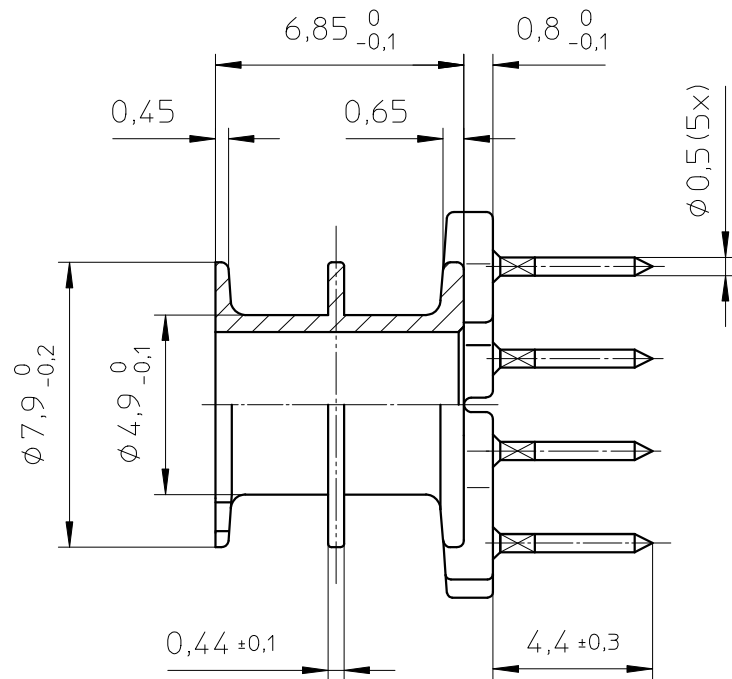
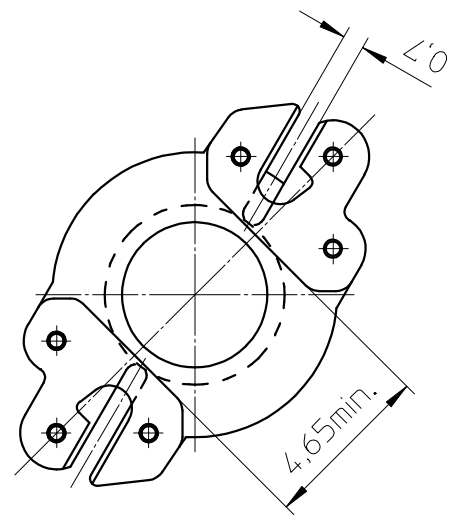
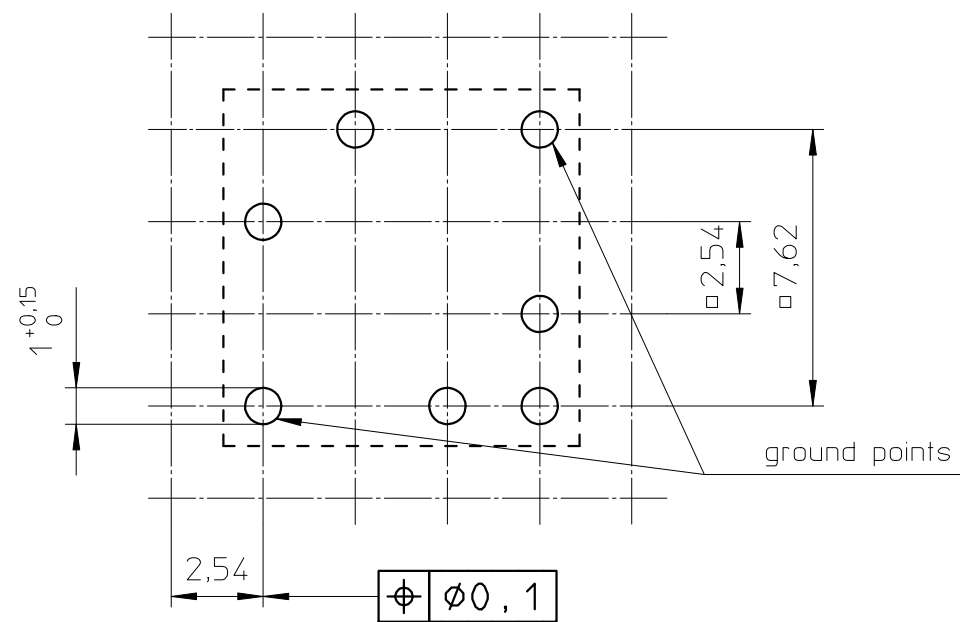


**FERROXCUBE**



HOLE PATTERN:

Space requirement 4x4 pitch.



Coil former material: Bakelite UP3420, glass-reinforced.

UL file number: E61040 - UL94V-0.

Pin material: CuSn - Ni flash, Sn plated.

max. operating temp. : acc.to IEC 60 085 class, H 180°C.

Resistance to soldering heat: 500°C - 5sec.

Solderability: acc. to IEC 60068-2-20 Part 2, Test Ta, method 1, 235°C - 2sec..

Winding area: 7 mm<sup>2</sup>.

Mean length of turn: 19,8 mm.

CLASS.NO.	CSV-RM4-2S-6P		4322 021 06541		06-02-22
NAME NAAM	A.Wojtasz	SUPERS. VERV.	1	SH BL.	112 - 001
MPA	CHECK CONTR.	DAT.	06-02-22	Property of Eigendom van	© FERROXCUBE 2006
					010
					A3