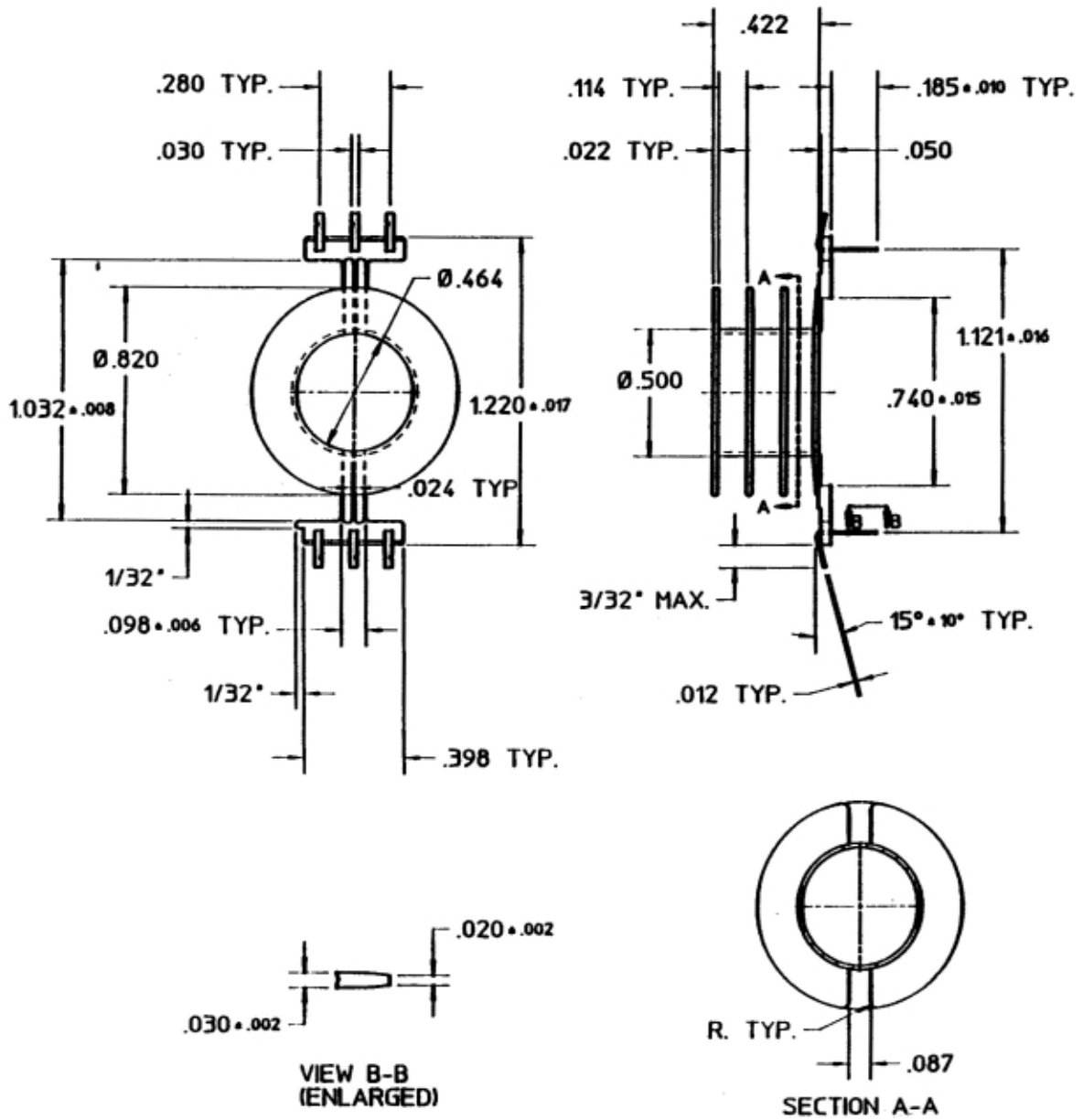


FERROXCUBE



Coilformer material: Zytel 70G33L (PA), glass-reinforced  
UL file number: E41938 - UL94HB  
Pin material: 70/30 Brass, Sn plated  
Solderability: acc. to MIL-STD 202, method 208  
Mean length of turn: 2.1 inch  
Winding area: 0.019 sq inch

			01-06-01
	<b>CPV-P26/16-3S-6PD-Z</b>	<b>4335 060 26621</b>	