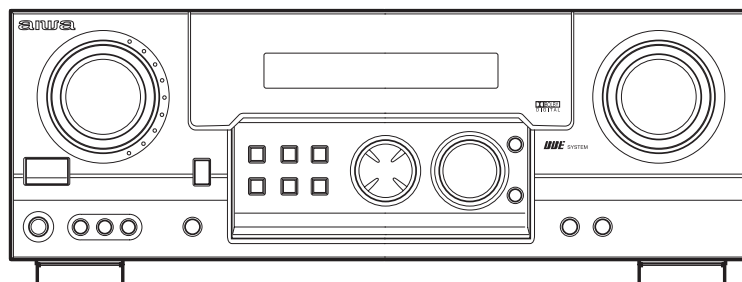




# AV-D58

EZ



# SERVICE MANUAL

STEREO RECEIVER

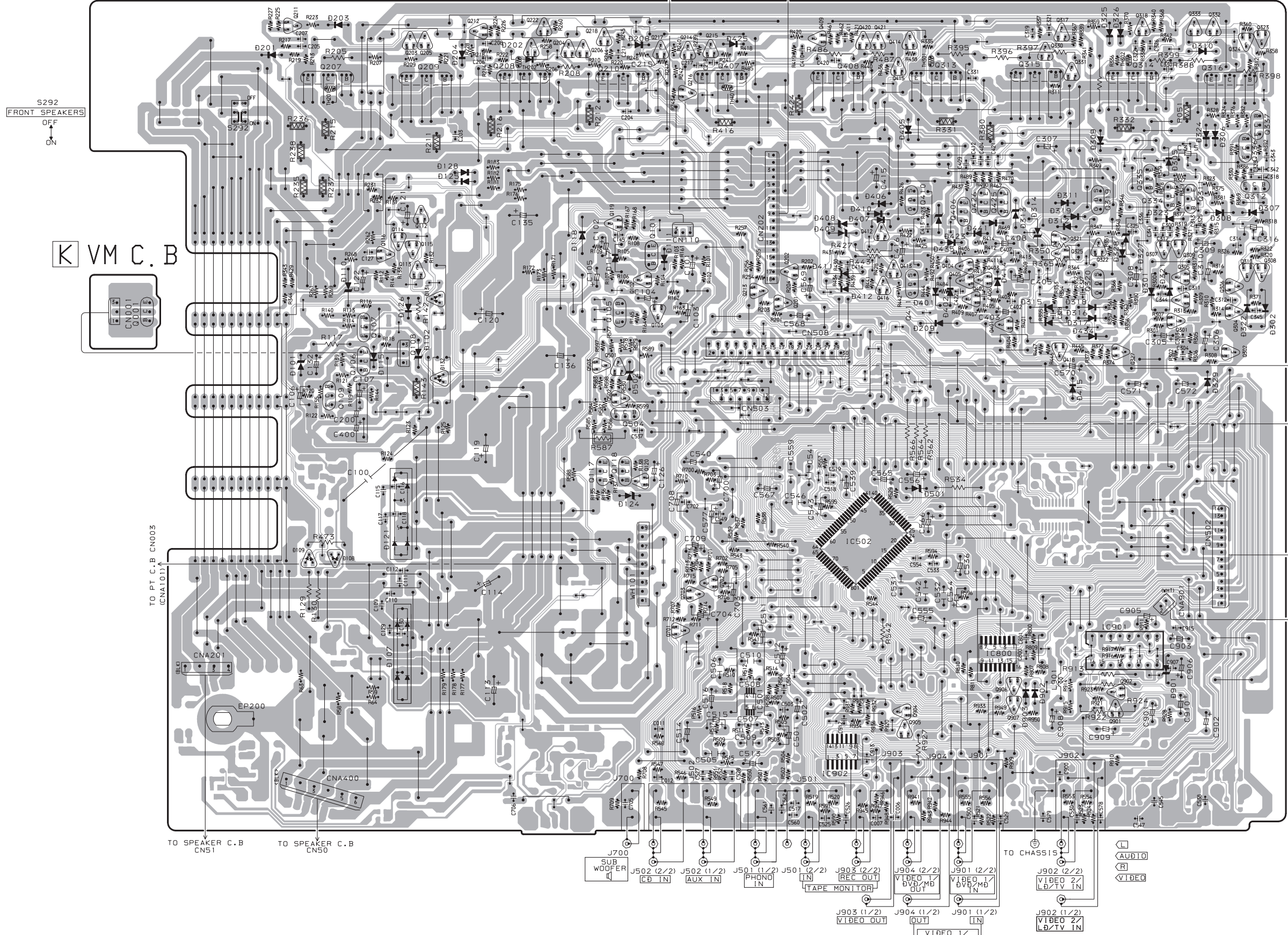
- This Service Manual contains information about the difference between AV-D58(EZSM,EZNHM) and AV-D58(EZBM). If requiring the other information, see Service Manual of AV-D58(EZ),(S/M Code No. 09-016-444-0R2).
- This Service Manual is for AV-D58(EZSM) Silver color / AV-D58(EZNHM) Champagne Gold color.

# aiwa

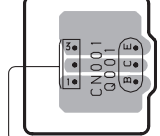
S/M Code No. 09-01A-444-0S1

SUPPLEMENT  
DATA

A MAIN C.B



K VM C.B



S292 FRONT SPEAKERS OFF ON

TO PT. C.B CN003 (CN101)

TO SPEAKER C.B CNS1 TO SPEAKER C.B CNS0

TO PT. C.B CNA002 TO AMP C.B CN801

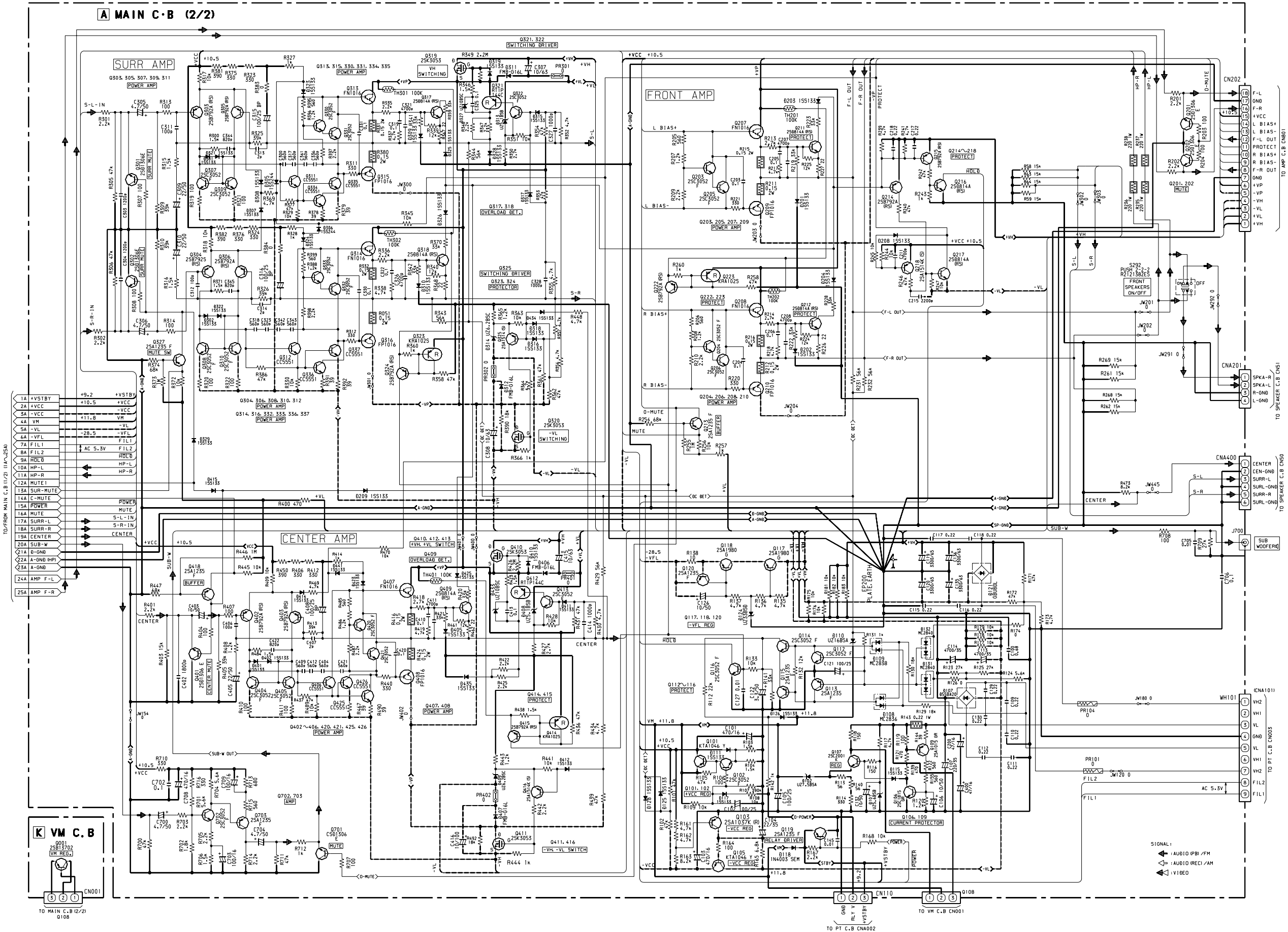
TO HP/VIDEO C.B CN501 TO DIGITAL C.B CN102 TO TUNER C.B CN592 TO FRONT C.B CN105

J700 SUB WOOFER J502 (2/2) J502 (1/2) J501 (1/2) J501 (2/2) J903 (2/2) J904 (2/2) J901 (2/2) J902 (2/2) J903 (1/2) J904 (1/2) J901 (1/2) J902 (1/2) VIDEO 1/2 VIDEO 2/2 VIDEO 1/2 VIDEO 2/2 VIDEO 1/2 VIDEO 2/2 VIDEO 1/2 VIDEO 2/2

AUDIO VIDEO

A B C D E F G H I J K L M N O P Q R S T U

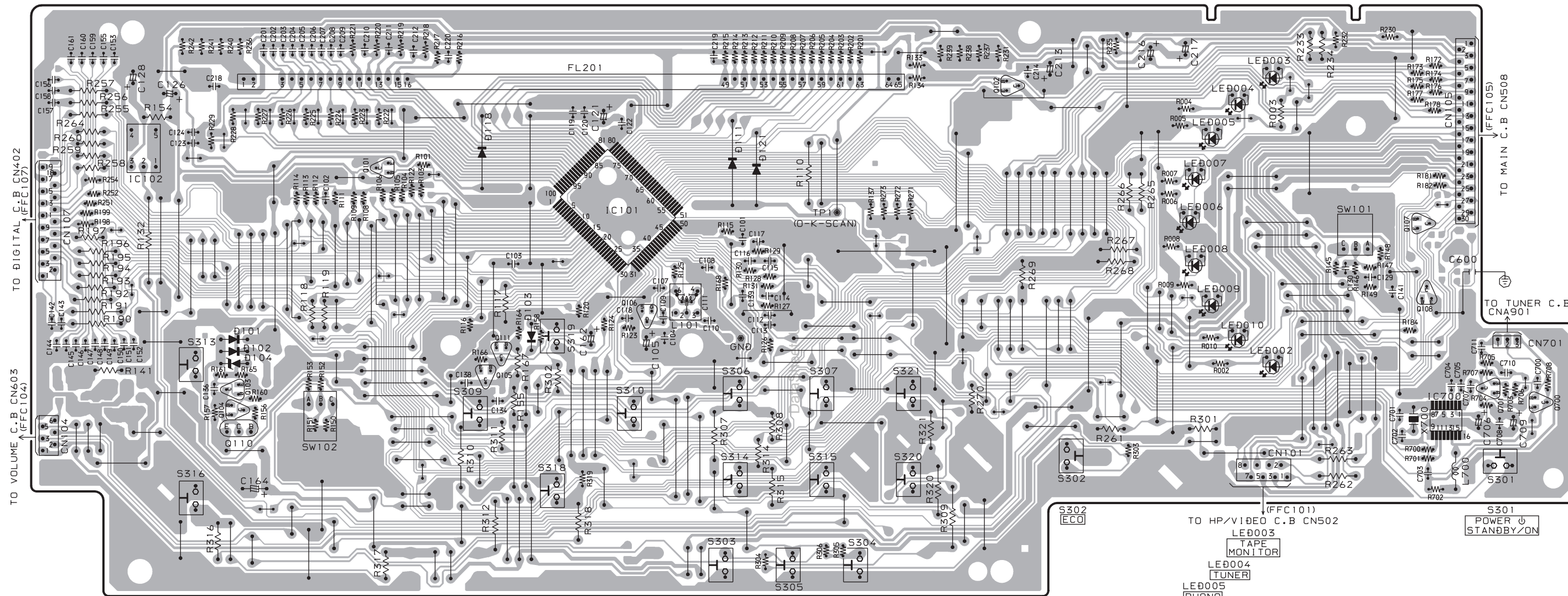




B FRONT C.B

FL201 (DISPLAY)

IC102 (REMOTE SENSOR)



TO DIGITAL C.B. CN402 (FFC107)

TO VOLUME C.B. CN603 (FFC104)

TO MAIN C.B. CN508 (FFC105)

TO TUNER C.B. CN901

TO HP/VIDEO C.B. CN502 (FFC101)

- S313 ENTER
- SW102 MULT I JOG
- S309 SURROUND
- S319 TREBLE
- S310 DSP
- S306 TAPE MONITOR
- S307 SOURCE DIRECT
- S321 CLOCK
- S316 BAND/DIGITAL ANALOG
- S318 BASS
- S314 TUNING UP (A)
- S315 TUNING DOWN (V)
- S320 T-BASS
- S303 CT
- S305 PTY
- S304 RT

- S301 POWER ON STANDBY/ON
- LEB003 TAPE MONITOR
- LEB004 TUNER
- LEB005 PHONO
- LEB007 [CD]
- LEB006 [AUX]
- LEB008 VIDEO 1
- LEB009 VIDEO 2
- LEB010 VIDEO 3
- LEB002 ECO
- SW101 FUNCTION

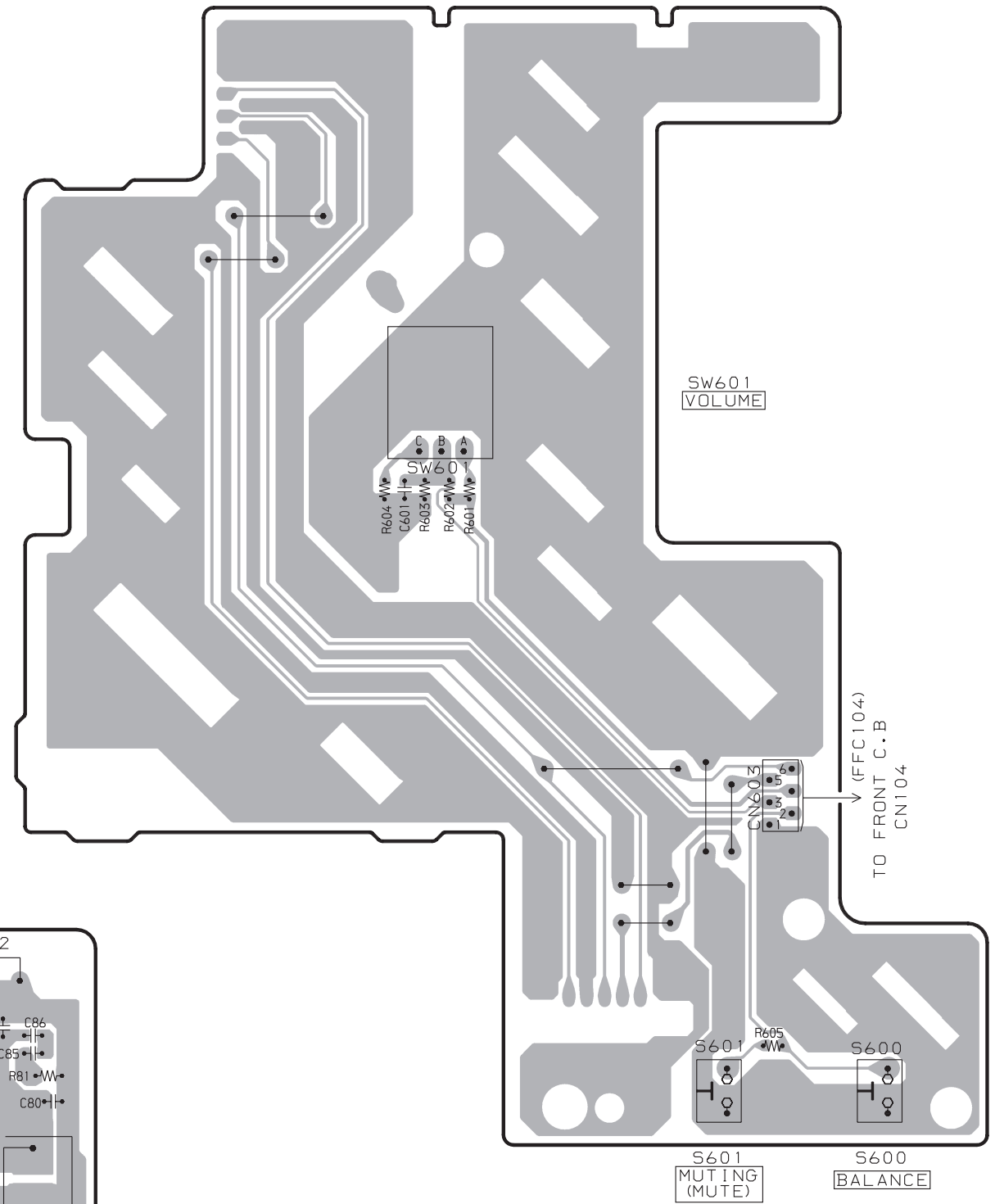




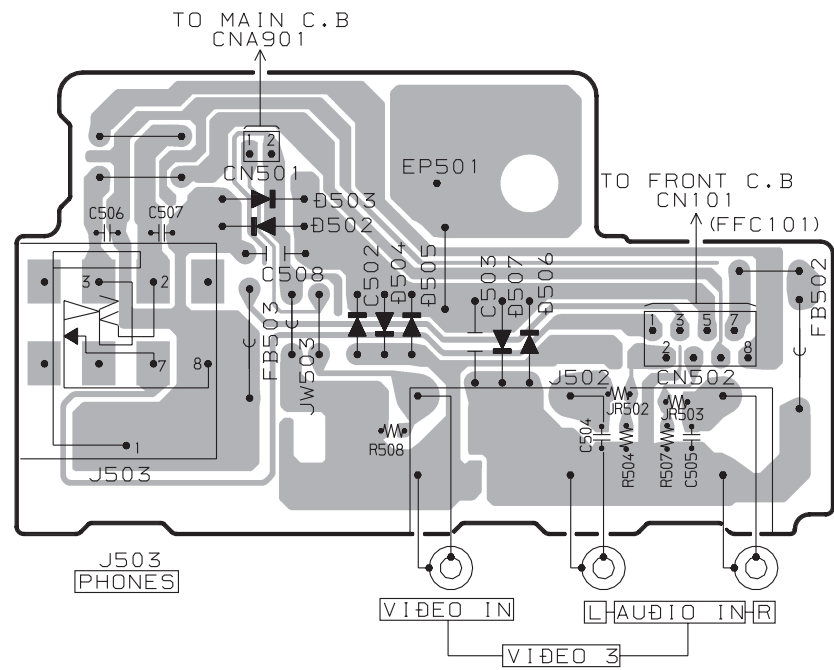




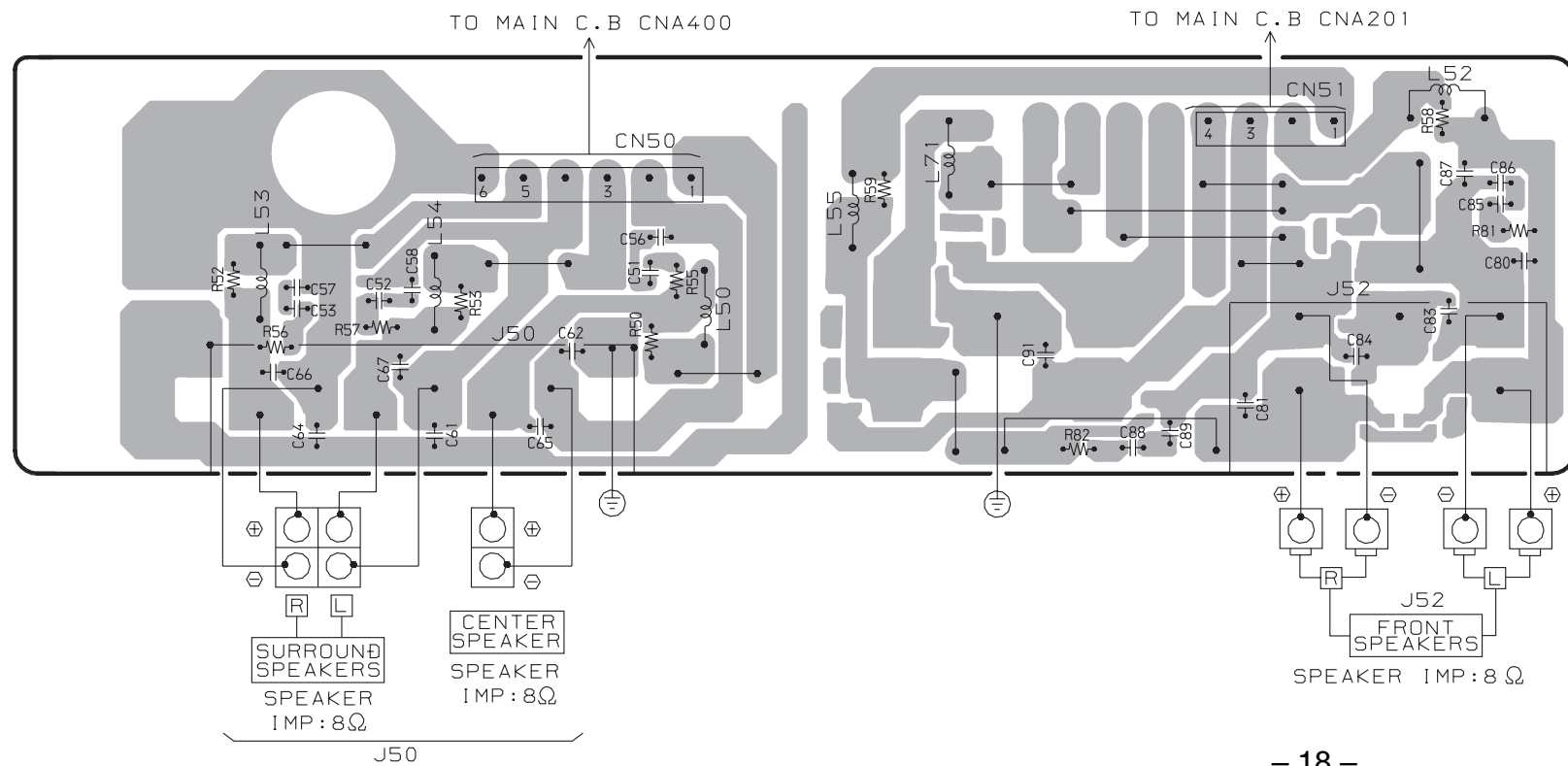
E VOLUME C.B

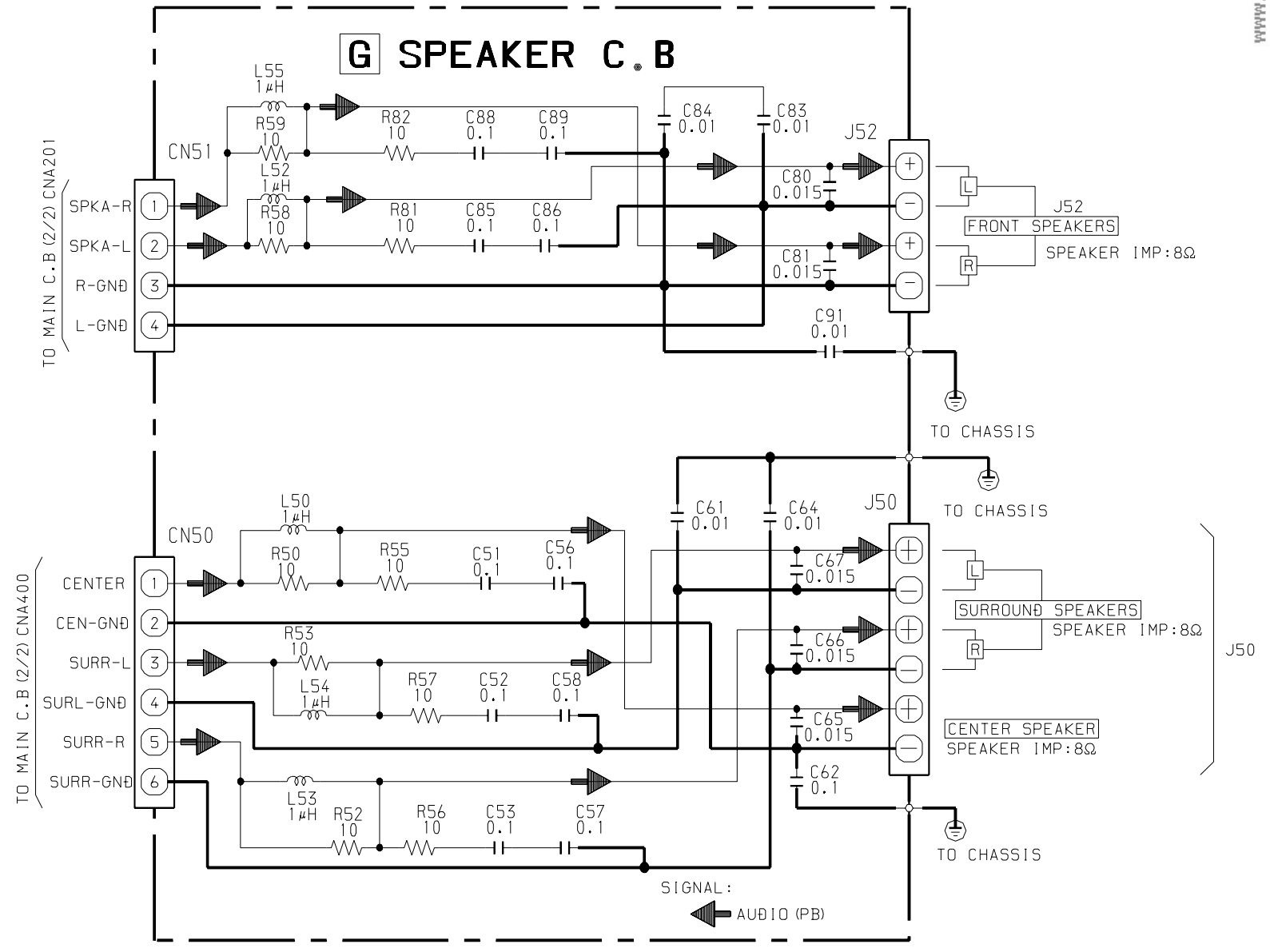
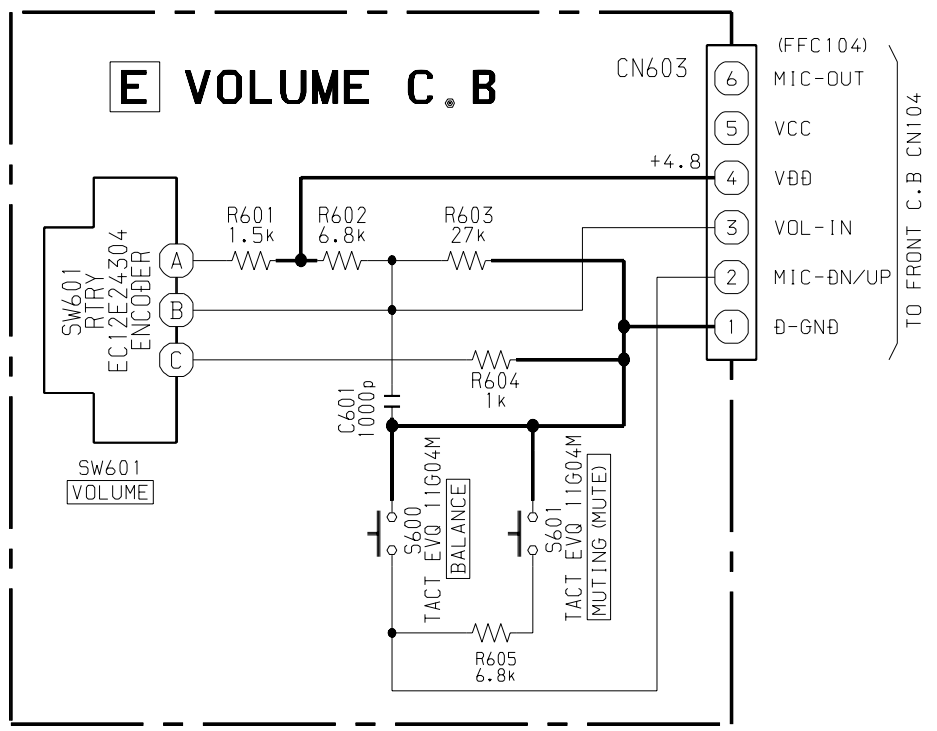
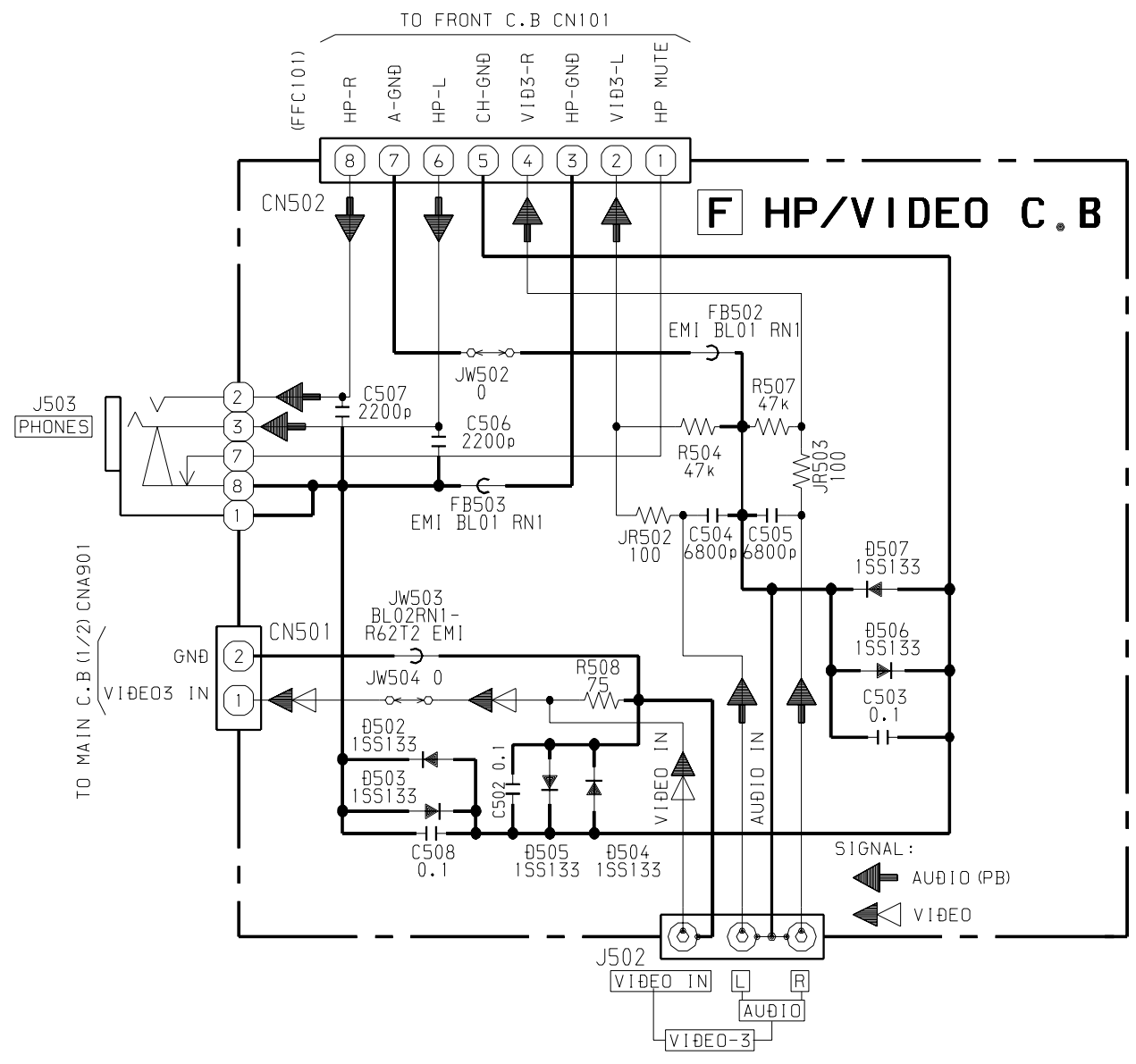


F HP / VIDEO C.B

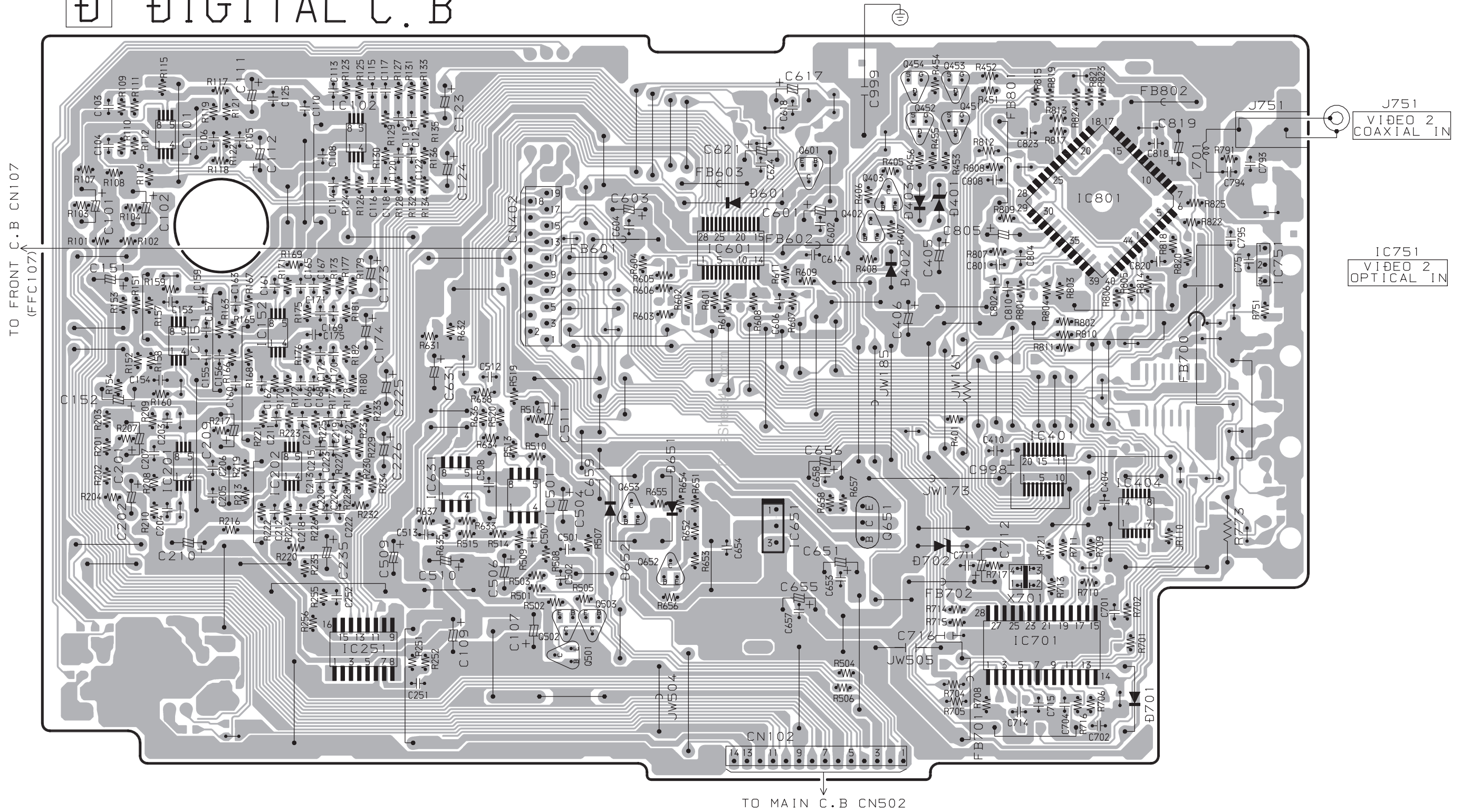


G SPEAKER C.B





# DIGITAL C.B



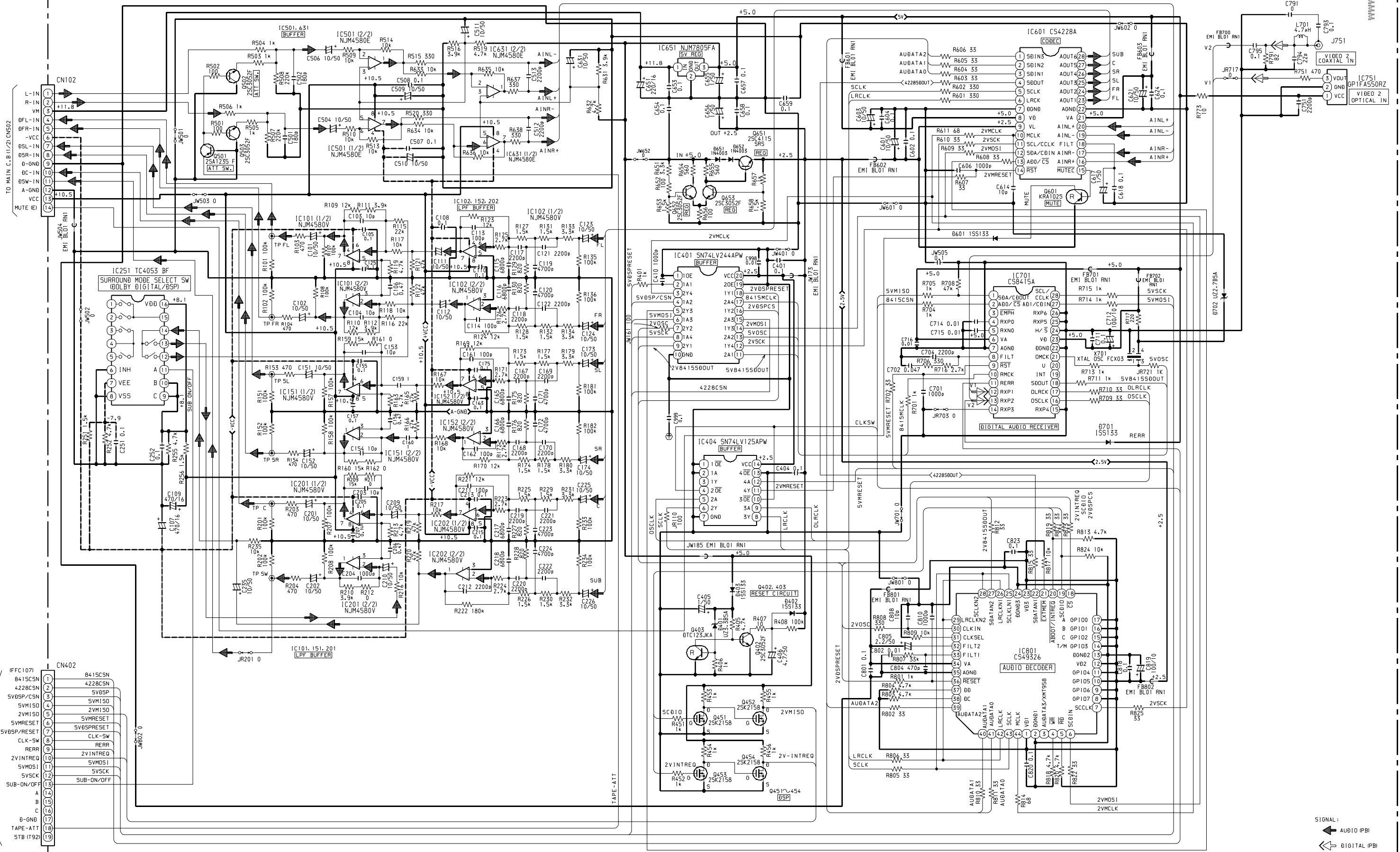
SCHEMATIC DIAGRAM - 6 (DIGITAL)

TO MAIN C.B. (1/2) CN502

TO FRONT C.B. CN107

TAPE - ATT

D DIGITAL C.B



- 1 L-IN
- 2 R-IN
- 3 VM
- 4 BFL-IN
- 5 BFR-IN
- 6 -VCC
- 7 BSL-IN
- 8 BSR-IN
- 9 B-GND
- 10 BC-IN
- 11 BSW-IN
- 12 A-GND
- 13 VCC
- 14 MUTE (E)

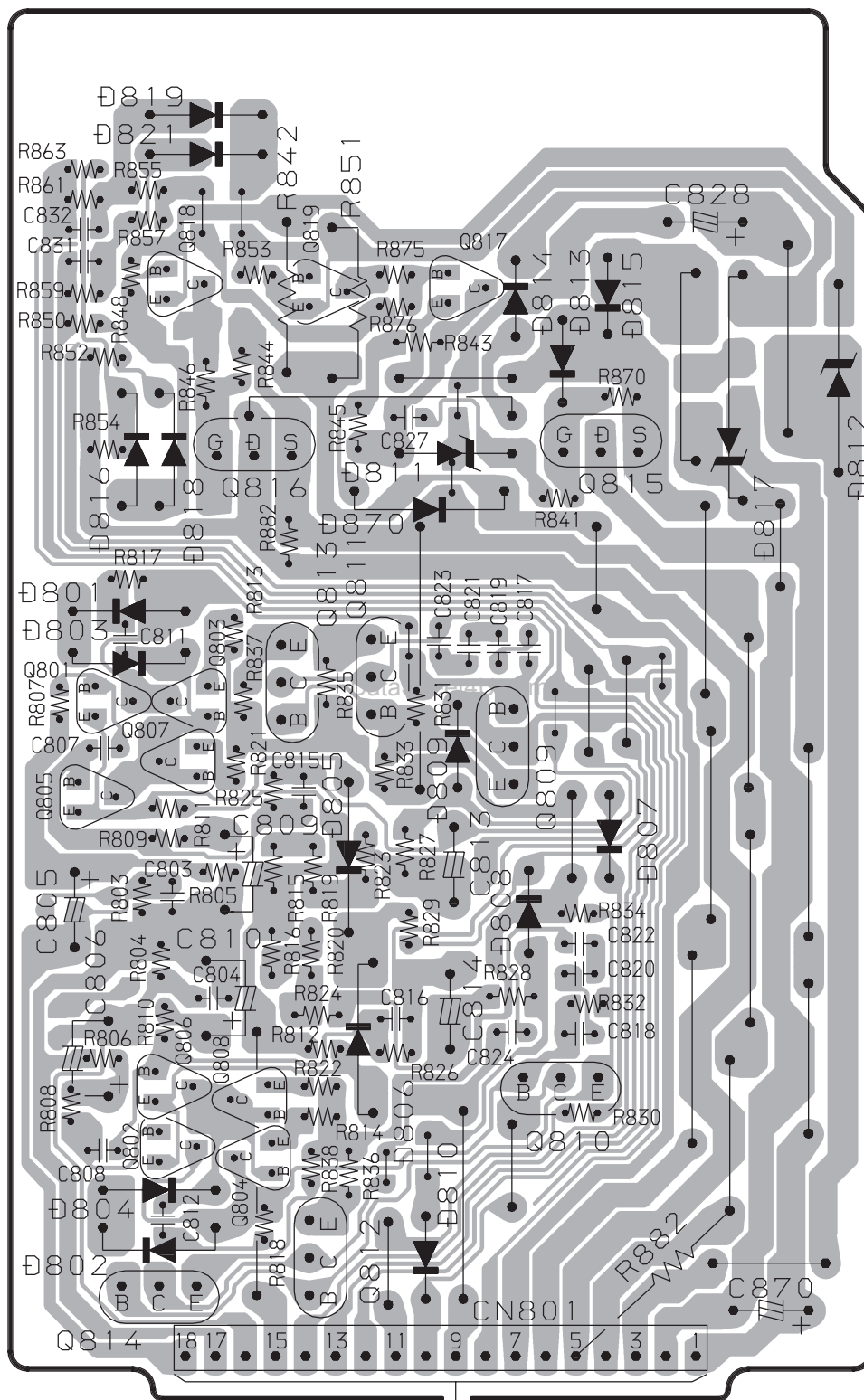
- 1 (FFC107)
- 2 8415CSN
- 3 4228CSN
- 4 4228CSN
- 5 5V8SP
- 6 5VMISO
- 7 2VMISO
- 8 2VMISO
- 9 5VMRESET
- 10 5V8SPRESET
- 11 5V8SP/RESET
- 12 CLK-SW
- 13 CLK-SW
- 14 RERR
- 15 2VINTREQ
- 16 5VMOS1
- 17 5V5CK
- 18 SUB-ON/OFF
- 19 SUB-ON/OFF

SIGNAL:  
 AUDIO (PB)  
 DIGITAL (PB)

# WIRING - 6 (AMP)

15	14	13	12	11	10	9	8	7	6	5	4	3	2	1
----	----	----	----	----	----	---	---	---	---	---	---	---	---	---

# H AMP C.B

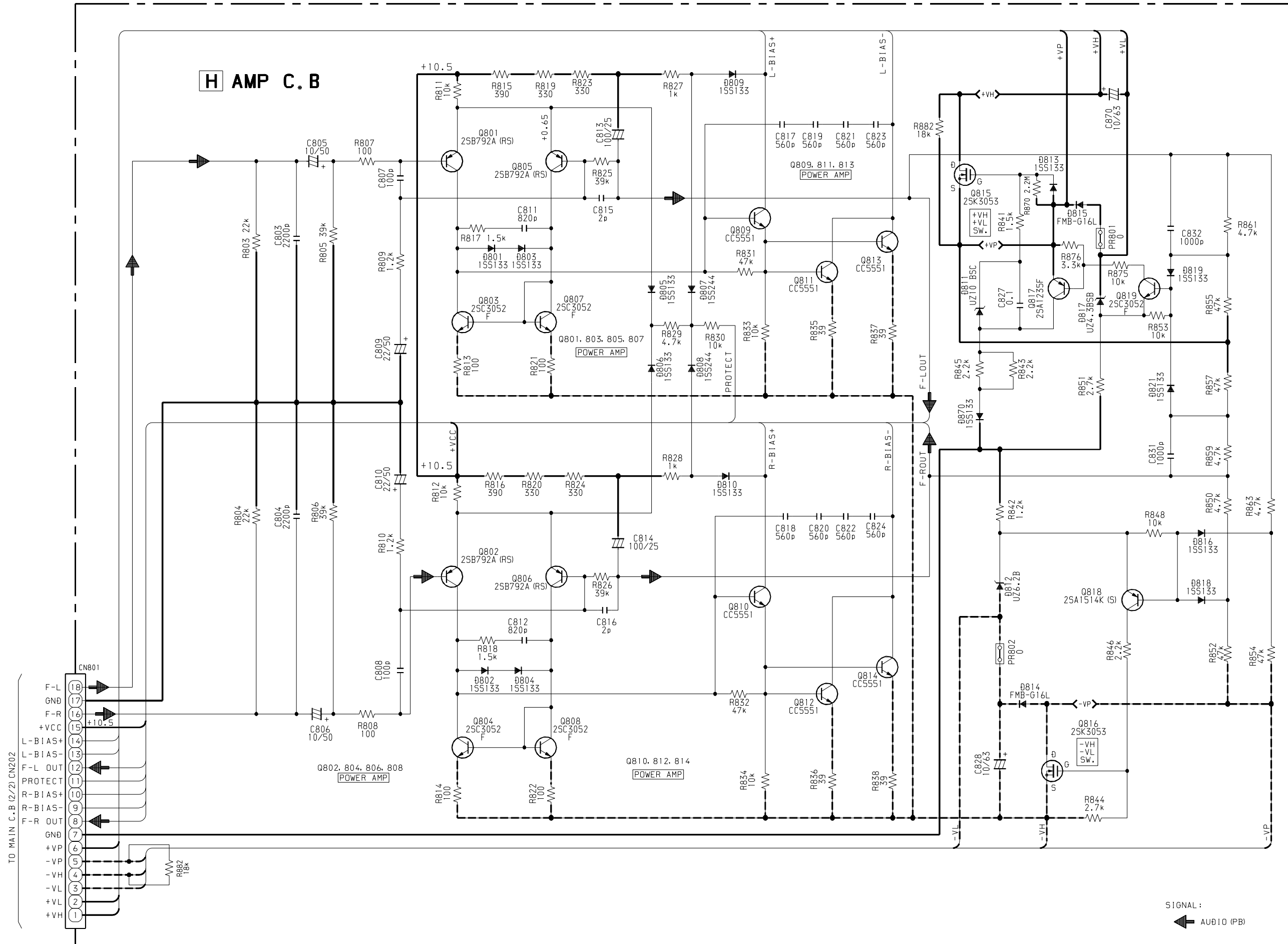


TO MAIN C.B CN202

A
B
C
D
E
F
G
H
I
J
K
L
M
N
O
P
Q
R
S
T
U

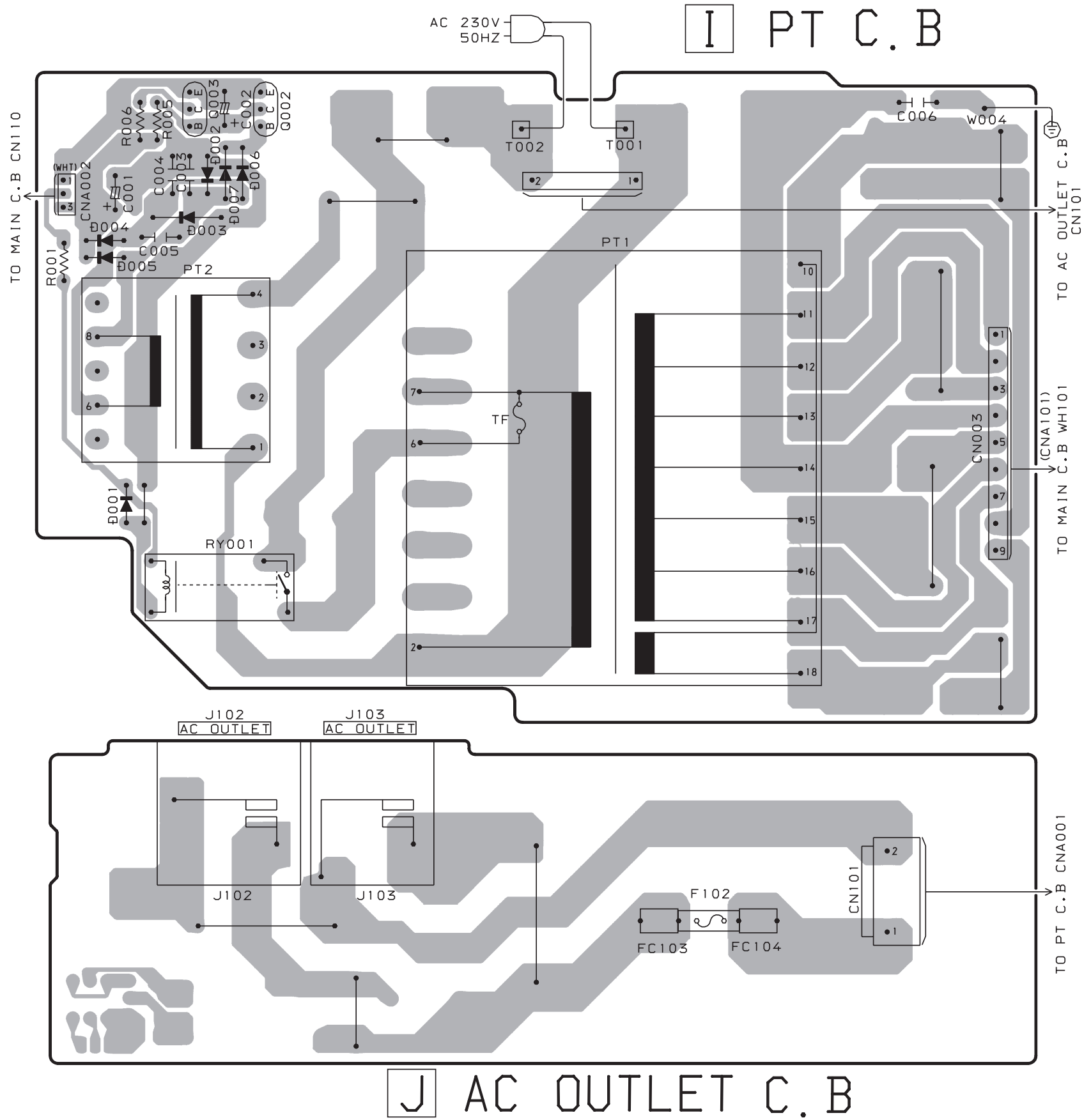
et4U.com

DataShee



WIRING - 7 (PT / AC OUTLET)

32 31 30 29 28 27 26 25 24 23 22 21 20 19 18 17 16 15 14 13 12 11 10 9 8 7 6 5 4 3 2



SCHEMATIC DIAGRAM - 8 (PT / AC OUTLET)

