

PLEASE CHECK WWW.MOLEX.COM FOR LATEST PART INFORMATION

Part Number: [0398800912](#)
Status: **Active**
Description: 5.08mm (.200") Pitch Beau™ Eurostyle™ Medium Profile, Three Level Terminal Block, Modular, 12 Circuits

Documents:

[3D Model](#)
[Drawing \(PDF\)](#)

[RoHS Certificate of Compliance \(PDF\)](#)

Agency Certification

CSA LR25562
 UL E48521

General

Product Family Terminal Blocks
 Series [39880](#)
 Application Wire-to-Board
 Component Type One Piece
 Product Literature Order No USA-263
 Product Name Eurostyle™ Multi-Level
 Type Euro Block

Physical

Circuits (Loaded) 12
 Entry Angle Horizontal
 Flammability 94V-0
 Lock to Mating Part None
 Number of Rows 3
 Orientation Vertical
 PC Tail Length (in) 0.150 In
 PC Tail Length (mm) 3.80 mm
 PCB Retention None
 PCB Thickness Recommended (in) 0.102 In
 PCB Thickness Recommended (mm) 2.60 mm
 Panel Mount No
 Pitch - Mating Interface (in) 0.200 In
 Pitch - Mating Interface (mm) 5.08 mm
 Pitch - Term. Interface (in) 0.200 In
 Pitch - Term. Interface (mm) 5.08 mm
 Polarized to Mating Part N/A
 Shrouded Fully
 Stackable Yes
 Temperature Range - Operating 110°C
 Wire Size AWG 12, 14, 16, 18, 20, 22, 24, 26, 28, 30
 Wire Size mm² 0.05 - 2.50

Electrical

Current - Maximum per Contact 17.5A
 Voltage - Maximum 300V

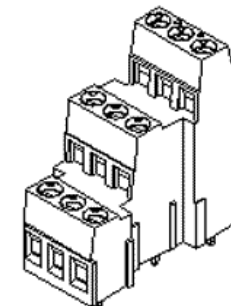
Solder Process Data

Lead-free Process Capability Wave Capable (TH only)

Material Info

Old Part Number 883212

Reference - Drawing Numbers



Series
image - Reference only

EU RoHS

ELV and RoHS
Compliant
REACH SVHC
 Not Reviewed
Halogen-Free
Status
Not Reviewed

China RoHS



Need more information on product environmental compliance?

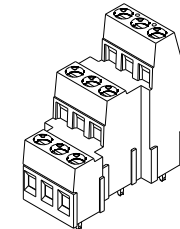
Email productcompliance@molex.com
 For a multiple part number RoHS Certificate of Compliance, [click here](#)

Please visit the [Contact Us](#) section for any non-product compliance questions.

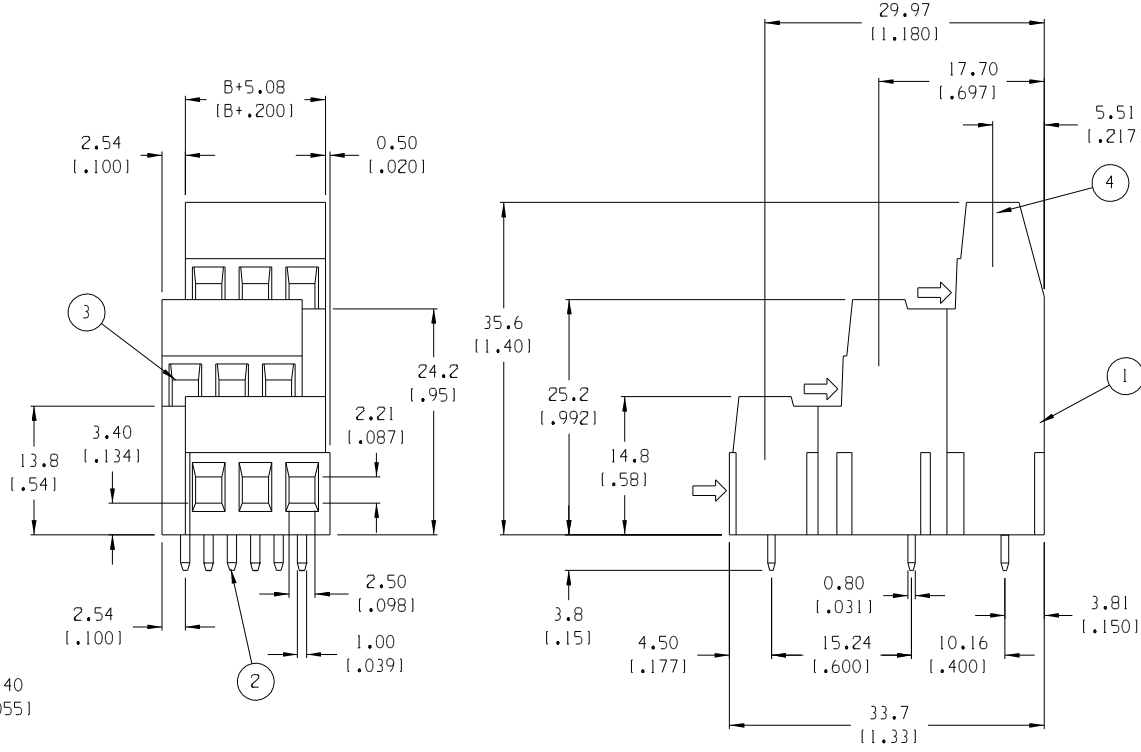
Search Parts in this Series
[39880Series](#)

This document was generated on 04/26/2010

PLEASE CHECK WWW.MOLEX.COM FOR LATEST PART INFORMATION

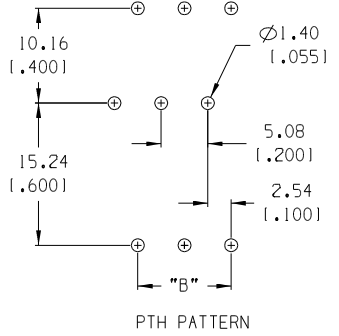


AUX. VIEW
SCALE 1:1
9 CIRCUIT SHOWN



- NOTES:
1. MATERIAL: SEE TABLE
 2. FINISHES: SEE TABLE
 3. PRODUCT SPECIFICATION: NOT REQUIRED
 4. PACKAGING: NOT REQUIRED
 5. MATES WITH: NONE
 6. "XX" REFERS TO THE QUANTITY OF CIRCUITS.

NO. OF CIRCUITS "XX"	DIM. "B"	MATERIAL NO.
06	5.08 [1.200]	39880-0906
09	10.16 [1.400]	39880-0909
12	15.24 [1.600]	39880-0912
15	20.32 [1.800]	39880-0915
18	25.40 [1.000]	39880-0918
21	30.48 [1.200]	39880-0921
24	35.56 [1.400]	39880-0924
27	40.64 [1.600]	39880-0927
30	45.72 [1.800]	39880-0930
33	50.80 [2.000]	39880-0933
36	55.88 [2.200]	39880-0936
39	60.96 [2.400]	39880-0939
42	66.04 [2.600]	39880-0942
45	71.12 [2.800]	39880-0945
48	76.20 [3.000]	39880-0948
51	81.28 [3.200]	39880-0951
54	86.36 [3.400]	39880-0954
57	91.44 [3.600]	39880-0957
60	96.52 [3.800]	39880-0960
63	101.60 [4.000]	39880-0963
66	106.68 [4.200]	39880-0966
69	111.76 [4.400]	39880-0969
72	116.84 [4.600]	39880-0972



ITEM	QTY.	DESCRIPTION	MATERIAL	FINISH
4	XX	SCREW, M3	BRONZE	NICKEL
3	XX	CAGE CLAMP	BRASS	NICKEL
2	XX	TERMINAL	PHOSPHOR BRONZE	HOT TIN DIP
1	1	INSULATOR, 3 LEVEL	POLYAMIDE	BLACK

EC NO. ECN# 3963 DRWN: CY 12-23-04 CH'KT APPR:	QUALITY SYMBOLS MAJOR CRITICAL SPC S	GENERAL TOLERANCES: (UNLESS SPECIFIED) mm INCH 4 PLACES ±.0015 3 PLACES ±.038 ±.005 2 PLACES ±.13 ±.01 1 PLACE ±.3 ANGULAR: ±1°	SCALE 2:1 DESIGN UNITS <input type="checkbox"/> mm <input checked="" type="checkbox"/> INCH DRAWN BY & DATE R. KEMP 12-4-01 CHECKED BY & DATE P. WALTZ 12-6-01 APPROVED BY & DATE L. ROTHHAUS 12-6-01	THIRD ANGLE PROJECTION TITLE: 5.08mm [1.200"] EUROSTYLE MID, THREE LEVEL FIXED BLOCK	PROJECT NO. N/A	SHT	REV
					DIMENSIONS: <input type="checkbox"/> mm <input checked="" type="checkbox"/> INCH <input type="checkbox"/> INCH <input checked="" type="checkbox"/> mm <input type="checkbox"/> mm ONLY		REVISION ON CAD ONLY
CAD FILENAME 8832XX.PRT		MATERIAL NO. SEE CHART		DRAWING NO. SD-39880-009		SHEET NO. 1 OF 1	
THIS DRAWING CONTAINS INFORMATION THAT IS PROPRIETARY TO MOLEX INCORPORATED AND SHOULD NOT BE USED WITHOUT WRITTEN PERMISSION.							SIZE B