

PLEASE CHECK WWW.MOLEX.COM FOR LATEST PART INFORMATION

Part Number: [0398800909](#)
Status: **Active**
Description: 5.08mm (.200") Pitch Beau™ Eurostyle™ Medium Profile, Three Level Terminal Block, Modular, 9 Circuits

Documents:

[3D Model](#) [RoHS Certificate of Compliance \(PDF\)](#)
[Drawing \(PDF\)](#)

Agency Certification

UL E48521

General

Product Family	Terminal Blocks
Series	39880
Application	Wire-to-Board
Component Type	One Piece
Product Literature Order No	USA-263
Product Name	Eurostyle™ Multi-Level
Type	Euro Block

Physical

Circuits (Loaded)	9
Entry Angle	Horizontal
Flammability	94V-0
Lock to Mating Part	None
Number of Rows	3
Orientation	Vertical
PC Tail Length (in)	0.150 In
PC Tail Length (mm)	3.80 mm
PCB Retention	None
PCB Thickness Recommended (in)	0.102 In
PCB Thickness Recommended (mm)	2.60 mm
Panel Mount	No
Pitch - Mating Interface (in)	0.200 In
Pitch - Mating Interface (mm)	5.08 mm
Pitch - Term. Interface (in)	0.200 In
Pitch - Term. Interface (mm)	5.08 mm
Polarized to Mating Part	N/A
Shrouded	Fully
Stackable	Yes
Temperature Range - Operating	110°C
Wire Size AWG	12, 14, 16, 18, 20, 22, 24, 26, 28, 30
Wire Size mm²	0.05 - 2.50

Electrical

Current - Maximum per Contact	17.5A
Voltage - Maximum	300V

Solder Process Data

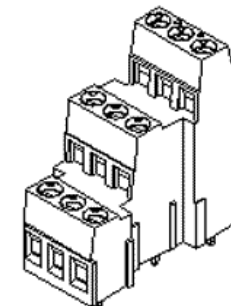
Lead-free Process Capability Wave Capable (TH only)

Material Info

Old Part Number 883209

Reference - Drawing Numbers

Sales Drawing SD-39880-009



Series
image - Reference only

EU RoHS

ELV and RoHS
Compliant
REACH SVHC
 Not Reviewed
Halogen-Free
Status
Not Reviewed

China RoHS



Need more information on product environmental compliance?

Email productcompliance@molex.com
 For a multiple part number RoHS Certificate of Compliance, [click here](#)

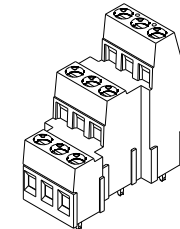
Please visit the [Contact Us](#) section for any non-product compliance questions.

Search Parts in this Series

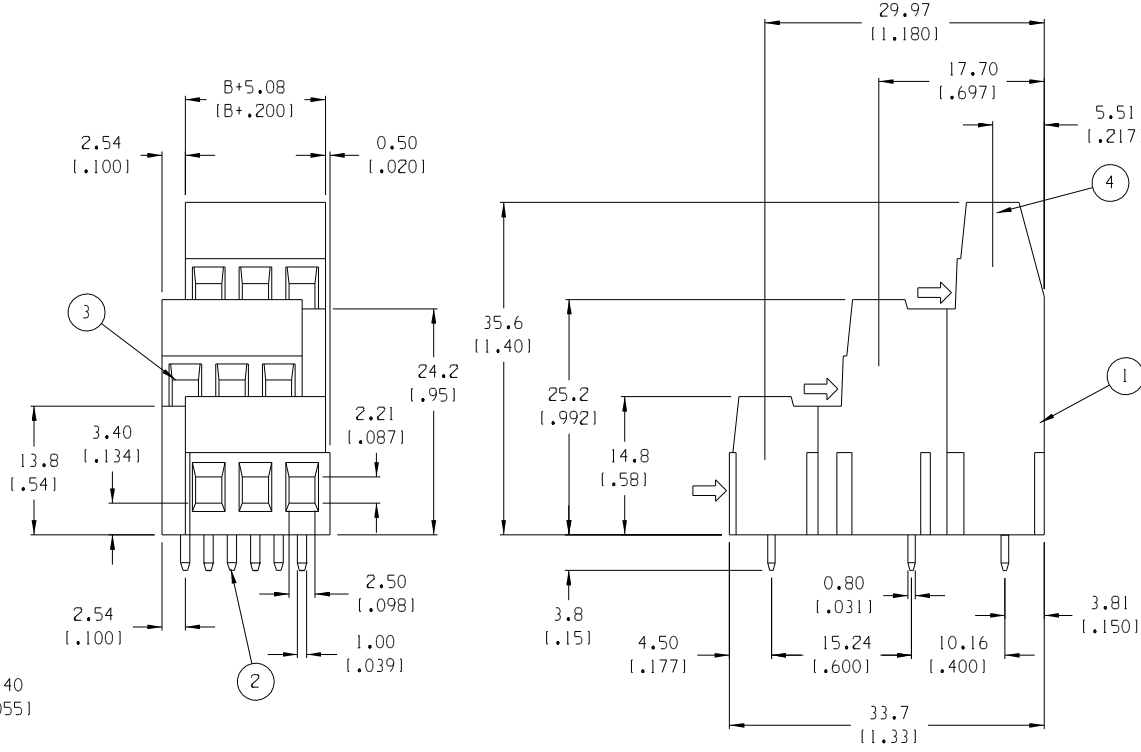
[39880Series](#)

This document was generated on 04/26/2010

PLEASE CHECK WWW.MOLEX.COM FOR LATEST PART INFORMATION

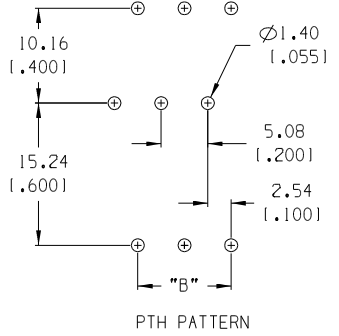


AUX. VIEW
SCALE 1:1
9 CIRCUIT SHOWN



NO. OF CIRCUITS "XX"	DIM. "B"	MATERIAL NO.
06	5.08 [1.200]	39880-0906
09	10.16 [1.400]	39880-0909
12	15.24 [1.600]	39880-0912
15	20.32 [1.800]	39880-0915
18	25.40 [1.000]	39880-0918
21	30.48 [1.200]	39880-0921
24	35.56 [1.400]	39880-0924
27	40.64 [1.600]	39880-0927
30	45.72 [1.800]	39880-0930
33	50.80 [2.000]	39880-0933
36	55.88 [2.200]	39880-0936
39	60.96 [2.400]	39880-0939
42	66.04 [2.600]	39880-0942
45	71.12 [2.800]	39880-0945
48	76.20 [3.000]	39880-0948
51	81.28 [3.200]	39880-0951
54	86.36 [3.400]	39880-0954
57	91.44 [3.600]	39880-0957
60	96.52 [3.800]	39880-0960
63	101.60 [4.000]	39880-0963
66	106.68 [4.200]	39880-0966
69	111.76 [4.400]	39880-0969
72	116.84 [4.600]	39880-0972

- NOTES:
1. MATERIAL: SEE TABLE
 2. FINISHES: SEE TABLE
 3. PRODUCT SPECIFICATION: NOT REQUIRED
 4. PACKAGING: NOT REQUIRED
 5. MATES WITH: NONE
 6. "XX" REFERS TO THE QUANTITY OF CIRCUITS.



PROJECT NO. N/A		SHT	REV
DIMENSIONS:		REVISE ON CAD ONLY	
<input type="checkbox"/> mm	<input checked="" type="checkbox"/> INCH	<input type="checkbox"/> mm ONLY	

ITEM	QTY.	DESCRIPTION	MATERIAL	FINISH
4	XX	SCREW, M3	BRONZE	NICKEL
3	XX	CAGE CLAMP	BRASS	NICKEL
2	XX	TERMINAL	PHOSPHOR BRONZE	HOT TIN DIP
1	1	INSULATOR, 3 LEVEL	POLYAMIDE	BLACK

EC NO. ECN# 3963 DRWN: CH'KE APPR:	QUALITY SYMBOLS MAJOR: CRITICAL: SPC: S:	GENERAL TOLERANCES: (UNLESS SPECIFIED) mm INCH		SCALE: 2:1	DESIGN UNITS: <input type="checkbox"/> mm <input checked="" type="checkbox"/> INCH	THIRD ANGLE PROJECTION	DRAWN BY & DATE R. KEMP 12-4-01	TITLE: 5.08mm [1.200"] EUROSTYLE MID, THREE LEVEL FIXED BLOCK
		4 PLACES ±.0015 3 PLACES ±.038 ±.005 2 PLACES ±.13 ±.01 1 PLACE ±.3	CHECKED BY & DATE P. WALTZ 12-6-01	APPROVED BY & DATE L. ROTHHAUS 12-6-01	CAD FILENAME 8832XX.PRT	MATERIAL NO. SEE CHART	DRAWING NO. SD-39880-009	
DRAFT WHERE APPLICABLE MUST REMAIN WITHIN DIMENSIONS		THIS DRAWING CONTAINS INFORMATION THAT IS PROPRIETARY TO MOLEX INCORPORATED AND SHOULD NOT BE USED WITHOUT WRITTEN PERMISSION.						SIZE B