

## 1°C Temperature Sensor with Beta Compensation

### PRODUCT FEATURES

Datasheet

#### GENERAL DESCRIPTION

The EMC1402 is a high accuracy, low cost, System Management Bus (SMBus) temperature sensor. Advanced features such as Resistance Error Correction (REC), Beta Compensation (to support 90nm and 65nm CPU diodes) and automatic diode type detection combine to provide a robust solution for complex environmental monitoring applications.

Each device provides  $\pm 1^\circ$  accuracy for external diode temperatures and  $\pm 2^\circ\text{C}$  accuracy for the internal diode temperature. The EMC1402 monitors two temperature channels (one external and one internal).

Resistance Error Correction automatically eliminates the temperature error caused by series resistance allowing greater flexibility in routing thermal diodes. Beta Compensation eliminates temperature errors caused by low, variable beta transistors common in today's fine geometry processors. The automatic beta detection feature monitors the external diode/transistor and determines the optimum sensor settings for accurate temperature measurements regardless of processor technology. This frees the user from providing unique sensor configurations for each temperature monitoring application. These advanced features plus  $\pm 1^\circ\text{C}$  measurement accuracy provide a low-cost, highly flexible and accurate solution for critical temperature monitoring applications.

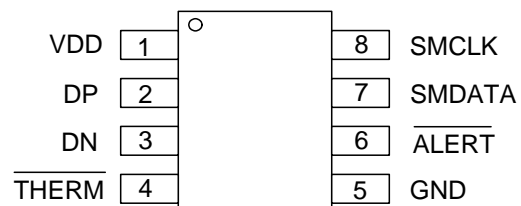
#### APPLICATIONS

- Notebook Computers
- Desktop Computers
- Industrial
- Embedded applications

#### FEATURES

- Support for 90nm and 65nm CPU diodes
- Pin compatible with ADM1032, MAX6649, and LM99
- Automatically determines external diode type and optimal settings
- Resistance Error Correction
- External Temperature Monitors
  - $\pm 1^\circ\text{C}$  Accuracy ( $60^\circ\text{C} < T_{\text{DIODE}} < 100^\circ\text{C}$ )
  - $0.125^\circ\text{C}$  Resolution
- Internal Temperature Monitor
  - $\pm 2^\circ\text{C}$  accuracy
- 3.3V Supply Voltage
- Programmable temperature limits for  $\overline{\text{ALERT}}$  and  $\overline{\text{THERM}}$
- Small 8-pin MSOP Lead-free RoHS Compliant Package

#### EMC1402 PIN DESCRIPTION



**ORDER NUMBERS:****EMC1402-1-ACZL-TR FOR 8 PIN, MSOP LEAD-FREE ROHS COMPLIANT PACKAGE****EMC1402-2-ACZL-TR FOR 8 PIN, MSOP LEAD-FREE ROHS COMPLIANT PACKAGE****Note:** See [Table 1.1, "Part Selection"](#) for SMBus addressing options.

80 ARKAY DRIVE, HAUPPAUGE, NY 11788 (631) 435-6000, FAX (631) 273-3123

Copyright © 2007 SMSC or its subsidiaries. All rights reserved.

Circuit diagrams and other information relating to SMSC products are included as a means of illustrating typical applications. Consequently, complete information sufficient for construction purposes is not necessarily given. Although the information has been checked and is believed to be accurate, no responsibility is assumed for inaccuracies. SMSC reserves the right to make changes to specifications and product descriptions at any time without notice. Contact your local SMSC sales office to obtain the latest specifications before placing your product order. The provision of this information does not convey to the purchaser of the described semiconductor devices any licenses under any patent rights or other intellectual property rights of SMSC or others. All sales are expressly conditional on your agreement to the terms and conditions of the most recently dated version of SMSC's standard Terms of Sale Agreement dated before the date of your order (the "Terms of Sale Agreement"). The product may contain design defects or errors known as anomalies which may cause the product's functions to deviate from published specifications. Anomaly sheets are available upon request. SMSC products are not designed, intended, authorized or warranted for use in any life support or other application where product failure could cause or contribute to personal injury or severe property damage. Any and all such uses without prior written approval of an Officer of SMSC and further testing and/or modification will be fully at the risk of the customer. Copies of this document or other SMSC literature, as well as the Terms of Sale Agreement, may be obtained by visiting SMSC's website at <http://www.smisc.com>. SMSC is a registered trademark of Standard Microsystems Corporation ("SMSC"). Product names and company names are the trademarks of their respective holders.

**SMSC DISCLAIMS AND EXCLUDES ANY AND ALL WARRANTIES, INCLUDING WITHOUT LIMITATION ANY AND ALL IMPLIED WARRANTIES OF MERCHANTABILITY, FITNESS FOR A PARTICULAR PURPOSE, TITLE, AND AGAINST INFRINGEMENT AND THE LIKE, AND ANY AND ALL WARRANTIES ARISING FROM ANY COURSE OF DEALING OR USAGE OF TRADE. IN NO EVENT SHALL SMSC BE LIABLE FOR ANY DIRECT, INCIDENTAL, INDIRECT, SPECIAL, PUNITIVE, OR CONSEQUENTIAL DAMAGES; OR FOR LOST DATA, PROFITS, SAVINGS OR REVENUES OF ANY KIND; REGARDLESS OF THE FORM OF ACTION, WHETHER BASED ON CONTRACT; TORT; NEGLIGENCE OF SMSC OR OTHERS; STRICT LIABILITY; BREACH OF WARRANTY; OR OTHERWISE; WHETHER OR NOT ANY REMEDY OF BUYER IS HELD TO HAVE FAILED OF ITS ESSENTIAL PURPOSE, AND WHETHER OR NOT SMSC HAS BEEN ADVISED OF THE POSSIBILITY OF SUCH DAMAGES.**



## Table of Contents

|                  |   |           |
|------------------|---|-----------|
| <b>Chapter 1</b> | <b>Block Diagram</b>                            | <b>8</b>  |
| 1.1              | Part Selection                                  | 8         |
| <b>Chapter 2</b> | <b>Pin Description</b>                          | <b>9</b>  |
| <b>Chapter 3</b> | <b>Electrical Specifications</b>                | <b>10</b> |
| 3.1              | Absolute Maximum Ratings                        | 10        |
| 3.2              | Electrical Specifications                       | 10        |
| 3.3              | SMBus Electrical Characteristics                | 12        |
| <b>Chapter 4</b> | <b>System Management Bus Interface Protocol</b> | <b>13</b> |
| 4.1              | System Management Bus Interface Protocol        | 13        |
| 4.2              | Write Byte                                      | 13        |
| 4.3              | Read Byte                                       | 14        |
| 4.4              | Send Byte                                       | 14        |
| 4.5              | Receive Byte                                    | 14        |
| 4.6              | Alert Response Address                          | 14        |
| 4.7              | SMBus Address                                   | 15        |
| 4.8              | SMBus Timeout                                   | 15        |
| <b>Chapter 5</b> | <b>Product Description</b>                      | <b>16</b> |
| 5.1              | Modes of Operation                              | 16        |
| 5.1.1            | Conversion Rates                                | 17        |
| 5.1.2            | Dynamic Averaging                               | 17        |
| 5.2              | THERM Output                                    | 17        |
| 5.3              | ALERT Output                                    | 18        |
| 5.3.1            | ALERT Pin Interrupt Mode                        | 18        |
| 5.3.2            | ALERT Pin Comparator Mode                       | 18        |
| 5.4              | Beta Compensation                               | 18        |
| 5.5              | Resistance Error Correction (REC)               | 18        |
| 5.6              | Programmable External Diode Ideality Factor     | 19        |
| 5.7              | Diode Faults                                    | 19        |
| 5.8              | Consecutive Alerts                              | 19        |
| 5.9              | Digital Filter                                  | 19        |
| 5.10             | Temperature Monitors                            | 21        |
| 5.11             | Temperature Measurement Results and Data        | 21        |
| 5.12             | External Diode Connections                      | 22        |
| <b>Chapter 6</b> | <b>Register Description</b>                     | <b>24</b> |
| 6.1              | Data Read Interlock                             | 26        |
| 6.2              | Temperature Data Registers                      | 26        |
| 6.3              | Status Register                                 | 26        |
| 6.4              | Configuration Register                          | 27        |
| 6.5              | Conversion Rate Register                        | 28        |
| 6.6              | Limit Registers                                 | 29        |
| 6.7              | Scratchpad Registers                            | 30        |
| 6.8              | One Shot Register                               | 30        |
| 6.9              | Therm Limit Registers                           | 30        |
| 6.10             | Channel Mask Register                           | 31        |
| 6.11             | Consecutive ALERT Register                      | 31        |
| 6.12             | Beta Configuration Registers                    | 33        |



**Datasheet**

|      |  |    |
|------|--|----|
| 6.13 | External Diode Ideality Factor Registers ..... | 34 |
| 6.14 | Filter Control Register .....                  | 35 |
| 6.15 | Product ID Register .....                      | 35 |
| 6.16 | SMSC ID Register (FEh) .....                   | 35 |
| 6.17 | Revision Register (FFh) .....                  | 36 |

---

**Chapter 7 Package Information .....** 37

## List of Figures

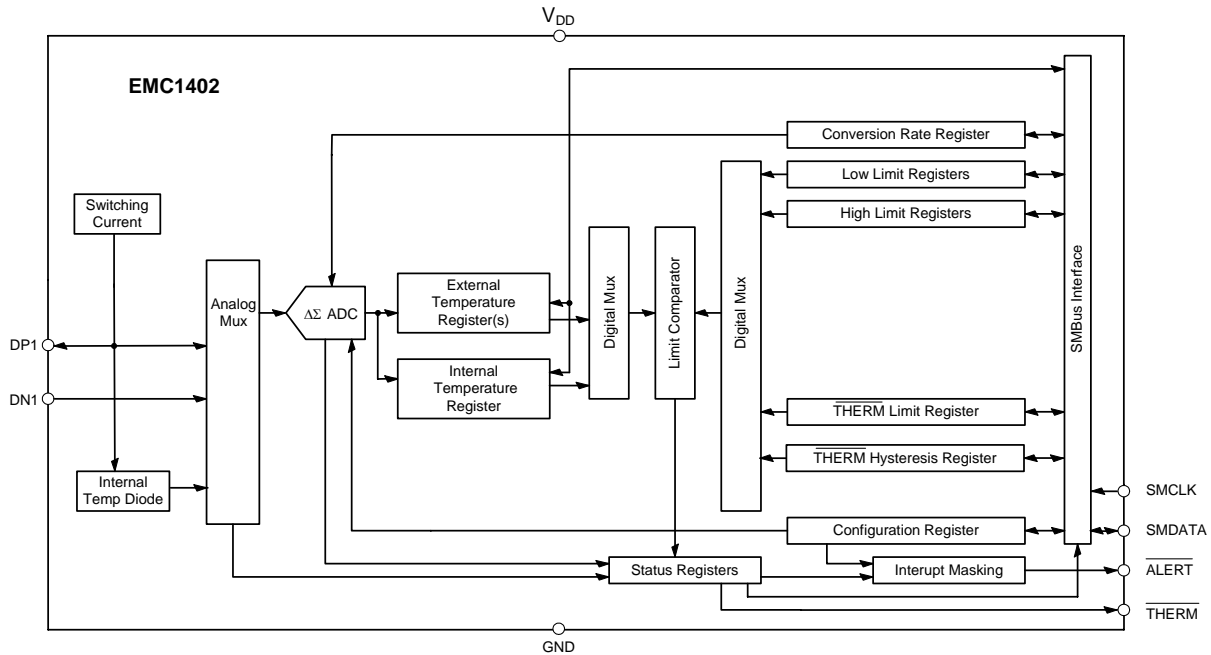
|            |   |    |
|------------|---|----|
| Figure 4.1 | SMBus Timing Diagram . . . . .                            | 13 |
| Figure 5.1 | System Diagram for EMC1402 . . . . .                      | 16 |
| Figure 5.2 | Temperature Filter Step Response . . . . .                | 20 |
| Figure 5.3 | Temperature Filter Impulse Response. . . . .              | 20 |
| Figure 5.4 | Block Diagram of Temperature Monitoring Circuit . . . . . | 21 |
| Figure 5.5 | Diode Configurations . . . . .                            | 23 |
| Figure 7.1 | 8 PIN MSOP / TSSOP Package . . . . .                      | 37 |

## Datasheet

## List of Tables

|            |  |    |
|------------|--|----|
| Table 1.1  | Part Selection                                 | 8  |
| Table 2.1  | EMC1402 Preliminary Pin Description            | 9  |
| Table 3.1  | Absolute Maximum Ratings                       | 10 |
| Table 3.2  | Electrical Specifications                      | 10 |
| Table 3.3  | SMBus Electrical Specifications                | 12 |
| Table 4.1  | Protocol Format                                | 13 |
| Table 4.2  | Write Byte Protocol                            | 13 |
| Table 4.3  | Read Byte Protocol                             | 14 |
| Table 4.4  | Send Byte Protocol                             | 14 |
| Table 4.5  | Receive Byte Protocol                          | 14 |
| Table 4.6  | Alert Response Address Protocol                | 14 |
| Table 5.1  | Supply Current vs. Conversion Rate for EMC1402 | 17 |
| Table 5.2  | EMC1402 Temperature Data Format                | 22 |
| Table 6.1  | Register Set in Hexadecimal Order              | 24 |
| Table 6.2  | Temperature Data Registers                     | 26 |
| Table 6.3  | Status Register                                | 26 |
| Table 6.4  | Configuration Register                         | 27 |
| Table 6.5  | Conversion Rate Register                       | 28 |
| Table 6.6  | Conversion Rate                                | 28 |
| Table 6.7  | Temperature Limit Registers                    | 29 |
| Table 6.8  | Scratchpad Register                            | 30 |
| Table 6.9  | One Shot Register                              | 30 |
| Table 6.10 | Therm Limit Registers                          | 30 |
| Table 6.11 | Channel Mask Register                          | 31 |
| Table 6.12 | Consecutive ALERT Register                     | 31 |
| Table 6.13 | Consecutive Alert / THERM Settings             | 32 |
| Table 6.14 | Beta Configuration Registers                   | 33 |
| Table 6.15 | CPU Beta Values                                | 33 |
| Table 6.16 | Ideality Configuration Registers               | 34 |
| Table 6.17 | Ideality Factor Look-Up Table                  | 34 |
| Table 6.18 | Filter Configuration Register                  | 35 |
| Table 6.19 | Filter Settings                                | 35 |
| Table 6.20 | Product ID Register                            | 35 |
| Table 6.21 | Manufacturer ID Register                       | 35 |
| Table 6.22 | Revision Register                              | 36 |

# Chapter 1 Block Diagram



## 1.1 Part Selection

The EMC1402 device configuration is highlighted below.

Table 1.1 Part Selection

| PART NUMBER | SMBUS ADDRESS | FUNCTIONALITY   |                                |                               |  | PRODUCT ID |
|-------------|---------------|-----------------|--------------------------------|-------------------------------|--|------------|
|             |               | EXTERNAL DIODES | DIODE 1 DEFAULT CONFIGURATION  | DIODE 2 DEFAULT CONFIGURATION | OTHER  |            |
| EMC1402 - 1 | 100_1100b     | 1               | Detect Diode w/<br>REC enabled | N/A                           | Software programmable and maskable High Limits | 20h        |
| EMC1402 - 2 | 100_1101b     |                 |                                |                               |  |            |



## Chapter 2 Pin Description

**Table 2.1 EMC1402 Preliminary Pin Description**

| PIN NUMBER | NAME                      | FUNCTION  | TYPE  |
|------------|---------------------------|---|-------|
| 1          | VDD                       | Power supply  | Power |
| 2          | DP                        | External diode positive (anode) connection  | AIO   |
| 3          | DN                        | External diode negative (cathode) connection  | AIO   |
| 4          | $\overline{\text{THERM}}$ | Active low Critical $\overline{\text{THERM}}$ output signal - requires pull-up resistor | OD    |
| 5          | GND                       | Ground  | Power |
| 6          | $\overline{\text{ALERT}}$ | Active low digital $\overline{\text{ALERT}}$ output signal - requires pull-up resistor, | OD    |
| 7          | SMDATA                    | SMBus Data input/output   | DIOD  |
| 8          | SMCLK                     | SMBus Clock input   | DI    |

The pin types are described below:

Power - these pins are used to supply either VDD or GND to the device.

AIO - Analog Input / Output.

DI - Digital Input.

OD - Open Drain Digital Output.

DIOD - Digital Input / Open Drain Output.

## Chapter 3 Electrical Specifications

### 3.1 Absolute Maximum Ratings

**Table 3.1 Absolute Maximum Ratings**

| DESCRIPTION                                | RATING                         | UNIT |
|--|--------------------------------|------|
| Supply Voltage ( $V_{DD}$ )                | -0.3 to 5.0                    | V    |
| Voltage on SMDATA and SMCLK pins           | -0.3 to 5.5                    | V    |
| Voltage on any other pin to Ground         | -0.3 to $V_{DD} + 0.3$         | V    |
| Operating Temperature Range                | -40 to +125                    | °C   |
| Storage Temperature Range                  | -55 to +150                    | °C   |
| Lead Temperature Range                     | Refer to JEDEC Spec. J-STD-020 |      |
| Package Thermal Characteristics for MSOP-8 |                                |      |
| Thermal Resistance ( $\theta_{j-a}$ )      | 140.8                          | °C/W |
| ESD Rating, All pins HBM                   | 2000                           | V    |

**Note:** Stresses at or above those listed could cause permanent damage to the device. This is a stress rating only and functional operation of the device at any other condition above those indicated in the operation sections of this specification is not implied. When powering this device from laboratory or system power supplies, it is important that the Absolute Maximum Ratings not be exceeded or device failure can result. Some power supplies exhibit voltage spikes on their outputs when the AC power is switched on or off. In addition, voltage transients on the AC power line may appear on the DC output. If this possibility exists, it is suggested that a clamp circuit be used.

### 3.2 Electrical Specifications

**Table 3.2 Electrical Specifications**

| $V_{DD} = 3.0V$ to $3.6V$ , $T_A = -40^\circ C$ to $125^\circ C$ , all typical values at $T_A = 27^\circ C$ unless otherwise noted. |          |     |     |     |       |  |
|---|----------|-----|-----|-----|-------|--|
| CHARACTERISTIC  | SYMBOL   | MIN | TYP | MAX | UNITS | CONDITIONS   |
| DC Power  |          |     |     |     |       |  |
| Supply Voltage  | $V_{DD}$ | 3.0 | 3.3 | 3.6 | V     |  |
| Supply Current  | $I_{DD}$ |     | 150 | 220 | uA    | 1 conversion / sec, dynamic averaging disabled         |
|   |          |     | 750 |     | uA    | $\geq 16$ conversions / sec, dynamic averaging enabled |

## Datasheet

Table 3.2 Electrical Specifications (continued)

| V <sub>DD</sub> = 3.0V to 3.6V, T <sub>A</sub> = -40°C to 125°C, all typical values at T <sub>A</sub> = 27°C unless otherwise noted. |                     |     |       |     |       |  |
|--|---------------------|-----|-------|-----|-------|--|
| CHARACTERISTIC   | SYMBOL              | MIN | TYP   | MAX | UNITS | CONDITIONS   |
| Internal Temperature Monitor   |                     |     |       |     |       |  |
| Temperature Accuracy   |                     |     | ±0.25 | ±1  | °C    | 0°C < T <sub>A</sub> < 85°C  |
|  |                     |     |       | ±2  | °C    |  |
| Temperature Resolution   |                     |     | 0.125 |     | °C    |  |
| External Temperature Monitor   |                     |     |       |     |       |  |
| Temperature Accuracy   |                     |     | ±0.25 | ±1  | °C    | +20°C < T <sub>DIODE</sub> < +100°C<br>0°C < T <sub>A</sub> < 85°C |
|  |                     |     | ±0.5  | ±2  | °C    | -40°C < T <sub>DIODE</sub> < 127°C                                 |
| Temperature Resolution   |                     |     | 0.125 |     | °C    |  |
| Conversion Time all Channels   | t <sub>CONV</sub>   |     | 190   |     | ms    | EMC1402, default settings  |
| Capacitive Filter  | C <sub>FILTER</sub> |     | 2.2   | 2.5 | nF    | Connected across external diode                                    |
| <u>ALERT</u> and <u>THERM</u> pins   |                     |     |       |     |       |  |
| Output Low Voltage   | V <sub>OL</sub>     | 0.4 |       |     | V     | I <sub>SINK</sub> = 8mA  |

### 3.3 SMBus Electrical Characteristics

**Table 3.3 SMBus Electrical Specifications**

| V <sub>DD</sub> = 3.0V to 3.6V, T <sub>A</sub> = -40°C to 125°C, all typical values are at T <sub>A</sub> = 27°C unless otherwise noted. |                                   |      |     |                 |       |   |
|--|-----------------------------------|------|-----|-----------------|-------|---|
| CHARACTERISTIC   | SYMBOL                            | MIN  | TYP | MAX             | UNITS | CONDITIONS  |
| SMBus Interface  |                                   |      |     |                 |       |   |
| Input High Voltage   | V <sub>IH</sub>                   | 2.0  |     | V <sub>DD</sub> | V     | 5V Tolerant   |
| Input Low Voltage  | V <sub>IL</sub>                   | -0.3 |     | 0.8             | V     | 5V Tolerant   |
| Input High/Low Current   | I <sub>IH</sub> / I <sub>IL</sub> | -1   |     | 1               | uA    | T <sub>A</sub> = 27°C, SMDATA / SMCLK = 0V to V <sub>DD</sub> |
| Input High/ Low Current  |                                   |      |     | TBD             | uA    | SMDATA / SMCLK = 0V to 5.5V                                   |
| Hysteresis   |                                   |      | 420 |                 | mV    |   |
| Input Capacitance  | C <sub>IN</sub>                   |      | 5   |                 | pF    |   |
| Output Low Sink Current  | I <sub>OL</sub>                   | 8.2  |     | 15              | mA    | SMDATA = 0.4V   |
| SMBus Timing   |                                   |      |     |                 |       |   |
| Clock Frequency  | f <sub>SMB</sub>                  | 10   |     | 400             | kHz   |   |
| Spike Suppression  | t <sub>SP</sub>                   |      |     | 50              | ns    |   |
| Bus free time Start to Stop  | t <sub>BUF</sub>                  | 1.3  |     |                 | us    |   |
| Hold Time: Start   | t <sub>HD:STA</sub>               | 0.6  |     |                 | us    |   |
| Setup Time: Start  | t <sub>SU:STA</sub>               | 0.6  |     |                 | us    |   |
| Setup Time: Stop   | t <sub>SU:STP</sub>               | 0.6  |     |                 | us    |   |
| Data Hold Time   | t <sub>HD:DAT</sub>               | 0.3  |     |                 | us    |   |
| Data Setup Time  | t <sub>SU:DAT</sub>               | 100  |     |                 | ns    |   |
| Clock Low Period   | t <sub>LOW</sub>                  | 1.3  |     |                 | us    |   |
| Clock High Period  | t <sub>HIGH</sub>                 | 0.6  |     |                 | us    |   |
| Clock/Data Fall time   | t <sub>FALL</sub>                 |      |     | 300             | ns    | Min = 20+0.1C <sub>LOAD</sub> ns                              |
| Clock/Data Rise time   | t <sub>RISE</sub>                 |      |     | 300             | ns    | Min = 20+0.1C <sub>LOAD</sub> ns                              |
| Capacitive Load  | C <sub>LOAD</sub>                 |      |     | 400             | pF    | per bus line  |

# Chapter 4 System Management Bus Interface Protocol

## 4.1 System Management Bus Interface Protocol

The EMC1402 communicates with a host controller, such as an SMSC SIO, through the SMBus. The SMBus is a two-wire serial communication protocol between a computer host and its peripheral devices. A detailed timing diagram is shown in [Figure 4.1](#).

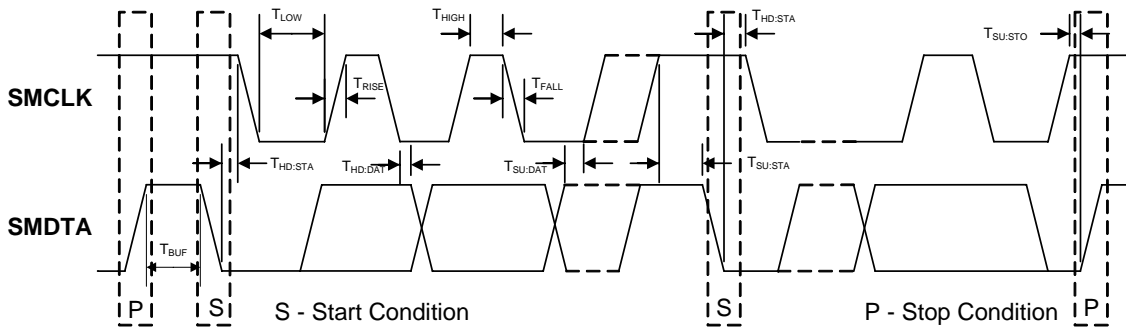


Figure 4.1 SMBus Timing Diagram

The EMC1402 is SMBus 2.0 compatible and support Send Byte, Read Byte, Write Byte, Receive Byte, and the Alert Response Address as valid protocols as shown below.

All of the below protocols use the convention in [Table 4.1](#).

Table 4.1 Protocol Format

| DATA SENT TO DEVICE | DATA SENT TO THE HOST |
|---------------------|-----------------------|
| # of bits sent      | # of bits sent        |

Attempting to communicate with the EMC1402 SMBus interface with an invalid slave address or invalid protocol will result in no response from the device and will not affect its register contents. Stretching of the SMCLK signal is supported, provided other devices on the SMBus control the timing.

## 4.2 Write Byte

The Write Byte is used to write one byte of data to the registers as shown below [Table 4.2](#):

Table 4.2 Write Byte Protocol

| START | SLAVE ADDRESS | WR | ACK | REGISTER ADDRESS | ACK | REGISTER DATA | ACK | STOP |
|-------|---------------|----|-----|------------------|-----|---------------|-----|------|
| 1     | 7             | 1  | 1   | 8                | 1   | 8             | 1   | 1    |

## 4.3 Read Byte

The Read Byte protocol is used to read one byte of data from the registers as shown in [Table 4.3](#).

**Table 4.3 Read Byte Protocol**

| START | SLAVE ADDRESS | WR | ACK | REGISTER ADDRESS | ACK | START | SLAVE ADDRESS | RD | ACK | REGISTER DATA | NACK | STOP |
|-------|---------------|----|-----|------------------|-----|-------|---------------|----|-----|---------------|------|------|
| 1     | 7             | 1  | 1   | 8                | 1   | 1     | 7             | 1  | 1   | 8             | 1    | 1    |

## 4.4 Send Byte

The Send Byte protocol is used to set the internal address register pointer to the correct address location. No data is transferred during the Send Byte protocol as shown in [Table 4.4](#).

**Table 4.4 Send Byte Protocol**

| START | SLAVE ADDRESS | WR | ACK | REGISTER ADDRESS | ACK | STOP |
|-------|---------------|----|-----|------------------|-----|------|
| 1     | 7             | 1  | 1   | 8                | 1   | 1    |

## 4.5 Receive Byte

The Receive Byte protocol is used to read data from a register when the internal register address pointer is known to be at the right location (e.g. set via Send Byte). This is used for consecutive reads of the same register as shown in [Table 4.5](#).

**Table 4.5 Receive Byte Protocol**

| START | SLAVE ADDRESS | RD | ACK | REGISTER DATA | NACK | STOP |
|-------|---------------|----|-----|---------------|------|------|
| 1     | 7             | 1  | 1   | 8             | 1    | 1    |

## 4.6 Alert Response Address

The  $\overline{\text{ALERT}}$  output can be used as a processor interrupt or as an SMBus Alert.

When it detects that the  $\overline{\text{ALERT}}$  pin is asserted, the host will send the Alert Response Address (ARA) to the general address of 000\_1100b. All devices with active interrupts will respond with their client address as shown in [Table 4.6](#).

**Table 4.6 Alert Response Address Protocol**

| START | ALERT RESPONSE ADDRESS | RD | ACK | DEVICE ADDRESS | NACK | STOP |
|-------|------------------------|----|-----|----------------|------|------|
| 1     | 7                      | 1  | 1   | 8              | 1    | 1    |

## Datasheet

The EMC1402 will respond to the ARA in the following way:

1. Send Slave Address and verify that full slave address was sent (i.e. the SMBus communication from the device was not prematurely stopped due to a bus contention event).
2. Set the MASK bit to clear the  $\overline{\text{ALERT}}$  pin.

**APPLICATION NOTE:** The ARA does not clear the Status Register and if the MASK bit is cleared prior to the Status Register being cleared, the  $\overline{\text{ALERT}}$  pin will be reasserted.

## 4.7 SMBus Address

The EMC1402-2 responds to hard-wired SMBus slave address as shown in [Table 1.1](#).

**Note:** Other addresses are available. Contact SMSC for more information.

## 4.8 SMBus Timeout

The EMC1402 supports SMBus Timeout. If the clock line is held low for longer than 30ms, the device will reset its SMBus protocol. This function can be disabled by clearing the TIMEOUT bit in the Consecutive Alert Register (see [Section 6.11](#)).

## Chapter 5 Product Description

The EMC1402 is an SMBus temperature sensor. The EMC1402 monitors one internal diode and one externally connected temperature diode.

Thermal management is performed in cooperation with a host device. This consists of the host reading the temperature data of both the external and internal temperature diodes of the EMC1402 and using that data to control the speed of one or more fans.

The EMC1402 has two levels of monitoring. The first provides a maskable  $\overline{\text{ALERT}}$  signal to the host when the measured temperatures exceeds user programmable limits. This allows the EMC1402 to be used as an independent thermal watchdog to warn the host of temperature hot spots without direct control by the host. The second level of monitoring provides a non maskable interrupt on the  $\overline{\text{THERM}}$  pin if the measured temperatures meet or exceed a second programmable limit.

Since the EMC1402 automatically corrects for temperature errors due to series resistance in temperature diode lines, there is greater flexibility in where external diodes are positioned and better measurement accuracy than previously available with non-resistance error correcting devices. The automatic beta detection feature means that there is no need to program the device according to which type of diode is present. Therefore, the EMC1402 can power up ready to operate for any system configuration.

Figure 5.1 shows a system level block diagram of the EMC1402.

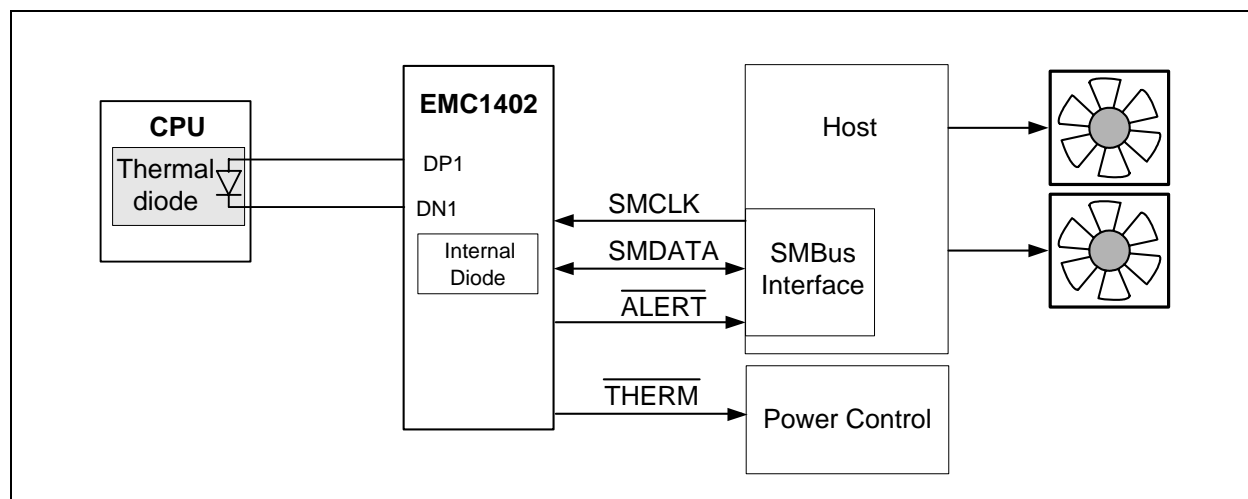


Figure 5.1 System Diagram for EMC1402

### 5.1 Modes of Operation

The EMC1402 has two modes of operation.

- Active (Run) - In this mode of operation, the ADC is converting on all temperature channels at the programmed conversion rate. The temperature data is updated at the end of every conversion and the limits are checked. In Active mode, writing to the one-shot register will do nothing.
- Standby (Stop) - In this mode of operation, the majority of circuitry is powered down to reduce supply current. The temperature data is not updated and the limits are not checked. In this mode of operation, the SMBus is fully active and the part will return requested data. Writing to the one-shot register will enable the device to update all temperature channels. Once all the channels are updated, the device will return to the Standby mode.



## Datasheet

### 5.1.1 Conversion Rates

The EMC1402 may be configured for different conversion rates based on the system requirements. The conversion rate is configured as described in [Section 6.5](#). The default conversion rate is 4 conversions per second. Other available conversion rates are shown in [Table 6.6](#).

### 5.1.2 Dynamic Averaging

Dynamic averaging causes the EMC1402 to measure the external diode channels for an extended time based on the selected conversion rate. This functionality can be disabled for increased power savings at the lower conversion rates (see [Section 6.4](#)). When dynamic averaging is enabled, the device will automatically adjust the sampling and measurement time for the external diode channels. This allows the device to average 2x or 16x longer than the normal 11 bit operation (nominally 21ms per channel) while still maintaining the selected conversion rate. The benefits of dynamic averaging are improved noise rejection due to the longer integration time as well as less random variation of the temperature measurement.

When enabled, the dynamic averaging applies when a one-shot command is issued. The device will perform the desired averaging during the one-shot operation according to the selected conversion rate.

When enabled, the dynamic averaging will affect the average supply current based on the chosen conversion rate as shown in [Table 5.1](#) for the EMC1402.

**Table 5.1 Supply Current vs. Conversion Rate for EMC1402**

| CONVERSION RATE   | AVERAGE SUPPLY CURRENT |          | AVERAGING FACTOR (BASED ON 11-BIT OPERATION) |          |
|-------------------|------------------------|----------|--|----------|
|                   | ENABLED (DEFAULT)      | DISABLED | ENABLED (DEFAULT)                            | DISABLED |
| 1 / 16 sec        | 120uA                  | 100uA    | 16x  | 1x       |
| 1 / 8 sec         | 135uA                  | 105uA    | 16x  | 1x       |
| 1 / 4 sec         | 165uA                  | 110uA    | 16x  | 1x       |
| 1 / 2 sec         | 230uA                  | 115uA    | 16x  | 1x       |
| 1 / sec           | 365uA                  | 130uA    | 16x  | 1x       |
| 2 / sec           | 625uA                  | 165uA    | 16x  | 1x       |
| 4 / sec (default) | 660uA                  | 225uA    | 8x   | 1x       |
| 8 / sec           | 725uA                  | 350uA    | 4x   | 1x       |
| 16 / sec          | 730uA                  | 485uA    | 2x   | 1x       |
| 32 / sec          | 745uA                  | 745uA    | 1x   | 1x       |
| 64 / sec          | 775uA                  | 775uA    | 0.5x   | 0.5x     |

## 5.2 THERM Output

The  $\overline{\text{THERM}}$  output is asserted independently of the  $\overline{\text{ALERT}}$  output and cannot be masked. Whenever any of the measured temperatures exceed the user programmed THERM Limit values for the programmed number of consecutive measurements, the  $\overline{\text{THERM}}$  output is asserted. Once it has been asserted, it will remain asserted until all measured temperatures drop below the THERM Limit minus the THERM Hysteresis (also programmable).

When the  $\overline{\text{THERM}}$  pin is asserted, the Therm status bits will likewise be set. Reading these bits will not clear them until the  $\overline{\text{THERM}}$  pin is deasserted. Once the  $\overline{\text{THERM}}$  pin is deasserted, the THERM status bits will be automatically cleared.

## 5.3 $\overline{\text{ALERT}}$ Output

The  $\overline{\text{ALERT}}$  pin is an open drain output and requires a pull-up resistor to  $V_{\text{DD}}$  and has two modes of operation: interrupt mode and comparator Mode. The mode of the  $\overline{\text{ALERT}}$  output is selected via the ALERT / COMP bit in the Configuration Register (see [Section 6.4](#)).

### 5.3.1 $\overline{\text{ALERT}}$ Pin Interrupt Mode

When configured to operate in interrupt mode, the  $\overline{\text{ALERT}}$  pin asserts low when an out of limit measurement ( $\geq$  high limit or  $<$  low limit) is detected on any diode or when a diode fault is detected. The  $\overline{\text{ALERT}}$  pin will remain asserted as long as an out-of-limit condition remains. Once the out-of-limit condition has been removed, the  $\overline{\text{ALERT}}$  pin will remain asserted until the appropriate status bits are cleared.

The  $\overline{\text{ALERT}}$  pin can be masked by setting the MASK bit. Once the  $\overline{\text{ALERT}}$  pin has been masked, it will be de-asserted and remain de-asserted until the MASK bit is cleared by the user. Any interrupt conditions that occur while the  $\overline{\text{ALERT}}$  pin is masked will update the Status Register normally.

The  $\overline{\text{ALERT}}$  pin is used as an interrupt signal or as an Smbus Alert signal that allows an SMBus slave to communicate an error condition to the master. One or more  $\overline{\text{ALERT}}$  outputs can be hard-wired together.

### 5.3.2 $\overline{\text{ALERT}}$ Pin Comparator Mode

When the  $\overline{\text{ALERT}}$  pin is configured to operate in comparator mode it will be asserted if any of the measured temperatures exceeds the respective high limit. The  $\overline{\text{ALERT}}$  pin will remain asserted until all temperatures drop below the corresponding high limit minus the THERM Hysteresis value.

When the  $\overline{\text{ALERT}}$  pin is asserted in comparator mode, the corresponding high limit status bits will be set. Reading these bits will not clear them until the  $\overline{\text{ALERT}}$  pin is deasserted. Once the  $\overline{\text{ALERT}}$  pin is deasserted, the status bits will be automatically cleared.

The MASK bit will not block the  $\overline{\text{ALERT}}$  pin in this mode, however the individual channel masks (see [Section 6.10](#)) will prevent the respective channel from asserting the  $\overline{\text{ALERT}}$  pin.

## 5.4 Beta Compensation

The EMC1402 is configured to monitor the temperature of basic diodes (e.g. 2N3904), or CPU thermal diodes. It automatically detects the type of external diode (CPU diode or diode connected transistor) and determines the optimal setting to reduce temperature errors introduced by beta variation.

For discrete transistors configured with the collector and base shorted together, the beta is generally sufficiently high such that the percent change in beta variation is very small. For example, a 10% variation in beta for two forced emitter currents with a transistor whose ideal beta is 50 would contribute approximately 0.25°C error at 100°C. However for substrate transistors where the base-emitter junction is used for temperature measurement and the collector is tied to the substrate, the proportional beta variation will cause large error. For example, a 10% variation in beta for two forced emitter currents with a transistor whose ideal beta is 0.5 would contribute approximately 8.25°C error at 100°C.

## 5.5 Resistance Error Correction (REC)

Parasitic resistance in series with the external diodes will limit the accuracy obtainable from temperature measurement devices. The voltage developed across this resistance by the switching diode currents cause the temperature measurement to read higher than the true temperature.

## Datasheet

Contributors to series resistance are PCB trace resistance, on die (i.e. on the processor) metal resistance, bulk resistance in the base and emitter of the temperature transistor. Typically, the error caused by series resistance is +0.7°C per ohm. The EMC1402 automatically corrects up to 100 ohms of series resistance.

## 5.6 Programmable External Diode Ideality Factor

The EMC1402 is designed for external diodes with an ideality factor of 1.008. Not all external diodes, processor or discrete, will have this exact value. This variation of the ideality factor introduces error in the temperature measurement which must be corrected for. This correction is typically done using programmable offset registers. Since an ideality factor mismatch introduces an error that is a function of temperature, this correction is only accurate within a small range of temperatures. To provide maximum flexibility to the user, the EMC1402 provides a 6-bit register for each external diode where the ideality factor of the diode used is programmed to eliminate errors across all temperatures.

**APPLICATION NOTE:** When monitoring a substrate transistor or CPU diode and beta compensation is enabled, the Ideality Factor should not be adjusted. Beta Compensation automatically corrects for most ideality errors.

## 5.7 Diode Faults

The EMC1402 detects an open on the DP and DN pins, and a short across the DP and DN pins. For each temperature measurement made, the device checks for a diode fault on the external diode channel(s). When a diode fault is detected, the ALERT pin asserts (unless masked, see [Section 5.8](#)) and the temperature data reads 00h in the MSB and LSB registers (note: the low limit will not be checked). A diode fault is defined as one of the following: an open between DP and DN, a short from Vdd to DP, or a short from Vdd to DN.

If a short occurs across DP and DN or a short occurs from DP to GND, the low limit status bit is set and the ALERT pin asserts (unless masked). This condition is indistinguishable from a temperature measurement of 0.000degC (-64°C in extended range) resulting in temperature data of 00h in the MSB and LSB registers.

If a short from DN to GND occurs (with a diode connected), temperature measurements will continue as normal with no alerts.

## 5.8 Consecutive Alerts

The EMC1402 contains multiple consecutive alert counters. One set of counters applies to the ALERT pin and the second set of counters applies to the THERM pin. Each temperature measurement channel has a separate consecutive alert counter for each of the ALERT and THERM pins. All counters are user programmable and determine the number of consecutive measurements that a temperature channel(s) must be out-of-limit or reporting a diode fault before the corresponding pin is asserted.

See [Section 6.11](#) for more details on the consecutive alert function.

## 5.9 Digital Filter

To reduce the effect of noise and temperature spikes on the reported temperature, the External Diode channel uses a programmable digital filter. This filter can be configured as Level 1, Level 2, or Disabled. The typical filter performance is shown in [Figure 5.2](#) and [Figure 5.3](#).

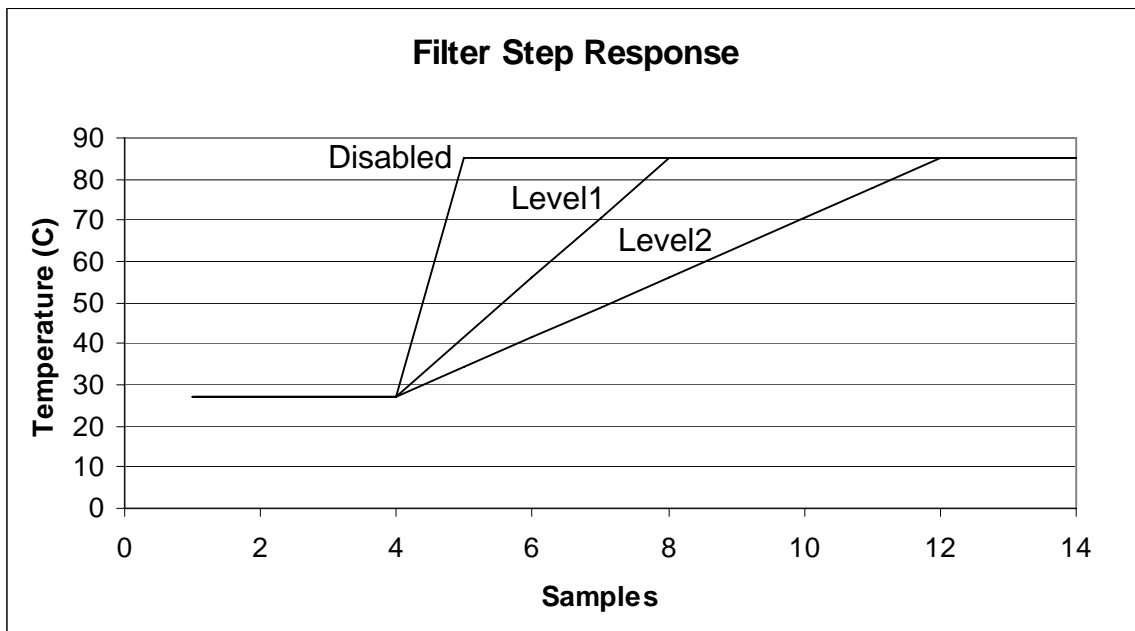


Figure 5.2 Temperature Filter Step Response

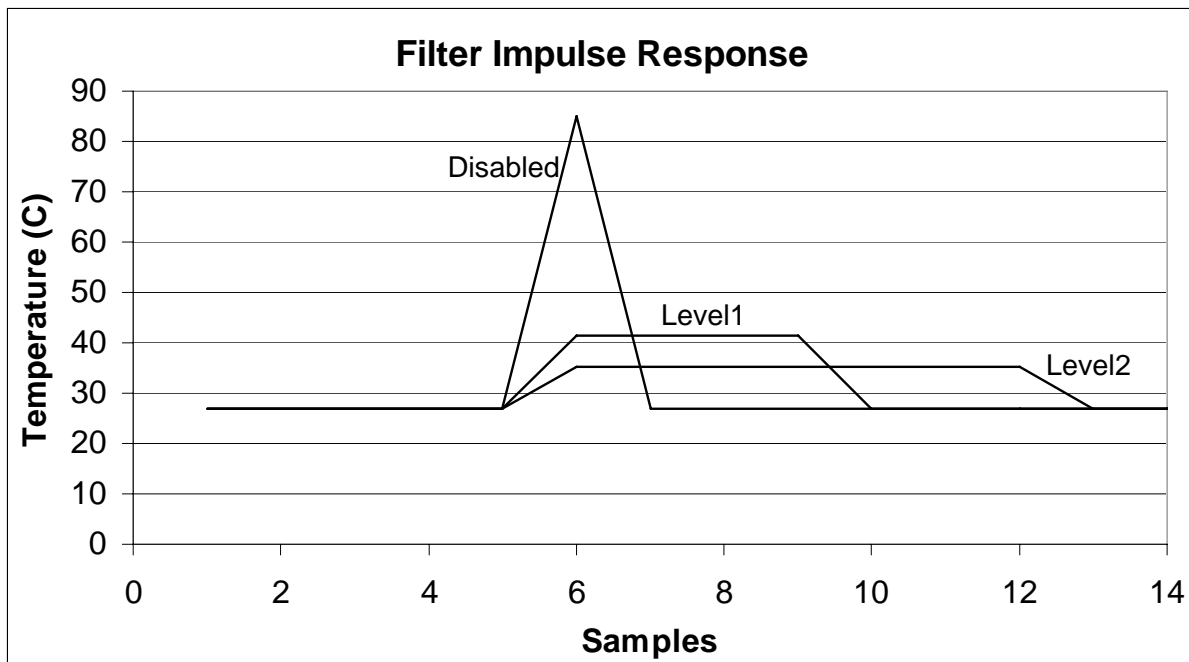


Figure 5.3 Temperature Filter Impulse Response

## 5.10 Temperature Monitors

In general, thermal diode temperature measurements are based on the change in forward bias voltage of a diode when operated at two different currents. This  $\Delta V_{BE}$  is proportional to absolute temperature as shown in the following equation:

$$\Delta V_{BE} = \frac{\eta kT}{q} \ln \left( \frac{I_{HIGH}}{I_{LOW}} \right)$$

where:

$k$  = Boltzmann's constant

$T$  = absolute temperature in Kelvin [1]

$q$  = electron charge

$\eta$  = diode ideality factor

Figure 5.4 shows a block diagram of the temperature measurement circuit. The negative terminal for the remote temperature diode, DN, is internally biased with a forward diode voltage referenced to ground.

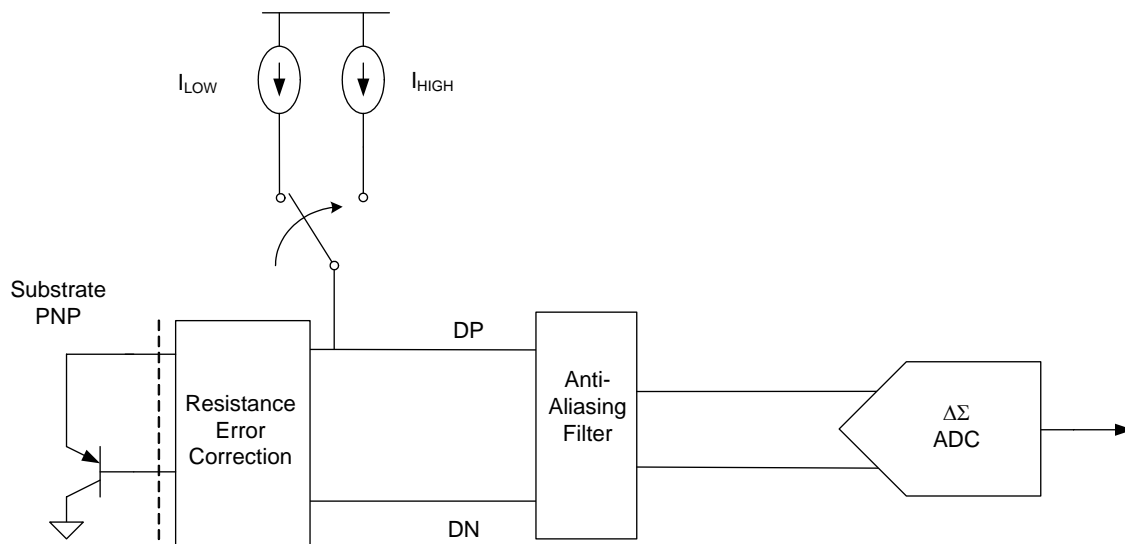


Figure 5.4 Block Diagram of Temperature Monitoring Circuit

## 5.11 Temperature Measurement Results and Data

The temperature measurement results are stored in the internal and external temperature registers. These are then compared with the values stored in the high and low limit registers. Both external and internal temperature measurements are stored in 11-bit format with the eight (8) most significant bits stored in a high byte register and the three (3) least significant bits stored in the three (3) MSB positions of the low byte register. All other bits of the low byte register are set to zero.

The EMC1402 has two selectable temperature ranges. The default range is from 0°C to +127°C and the temperature is represented as binary number able to report a temperature from 0°C to +127.875°C in 0.125°C steps.

The extended range is an extended temperature range from -64°C to +191°C. The data format is a binary number offset by 64°C. The extended range is used to measure temperature diodes with a large known offset (such as AMD processor diodes) where the diode temperature plus the offset would be equivalent to a temperature higher than +127°C.

Table 5.2 shows the default and extended range formats.

**Table 5.2 EMC1402 Temperature Data Format**

| TEMPERATURE (°C) | DEFAULT RANGE 0°C TO 127°C                | EXTENDED RANGE RANGE -64°C TO 191°C       |
|------------------|---|---|
| Diode Fault      | 000 0000 0000                             | 000 0000 0000                             |
| -64              | 000 0000 0000                             | 000 0000 0000<br><a href="#">Note 5.2</a> |
| -1               | 000 0000 0000                             | 001 1111 1111                             |
| 0                | 000 0000 0000<br><a href="#">Note 5.1</a> | 010 0000 0000                             |
| 0.125            | 000 0000 0001                             | 010 0000 0001                             |
| 1                | 000 0000 1000                             | 010 0000 1000                             |
| 64               | 010 0000 0000                             | 100 0000 0000                             |
| 65               | 010 0000 1000                             | 100 0000 1000                             |
| 127              | 011 1111 1000                             | 101 1111 1000                             |
| 127.875          | 011 1111 1111                             | 101 1111 1111                             |
| 128              | 011 1111 1111<br><a href="#">Note 5.3</a> | 110 0000 0000                             |
| 190              | 011 1111 1111                             | 111 1111 0000                             |
| 191              | 011 1111 1111                             | 111 1111 1000                             |
| >= 191.875       | 011 1111 1111                             | 111 1111 1111<br><a href="#">Note 5.4</a> |

**Note 5.1** In default mode, all temperatures < 0°C will be reported as 0°C.

**Note 5.2** In the extended range, all temperatures < -64°C will be reported as -64°C.

**Note 5.3** For the default range, all temperatures > +127.875°C will be reported as +127.875°C.

**Note 5.4** For the extended range, all temperatures > +191.875°C will be reported as +191.875°C.

## 5.12 External Diode Connections

The EMC1402 can be configured to measure a CPU substrate transistor, a discrete 2N3904 thermal diode, or an AMD processor diode. The diode can be connected in a variety of ways as indicated in [Figure 5.5](#).

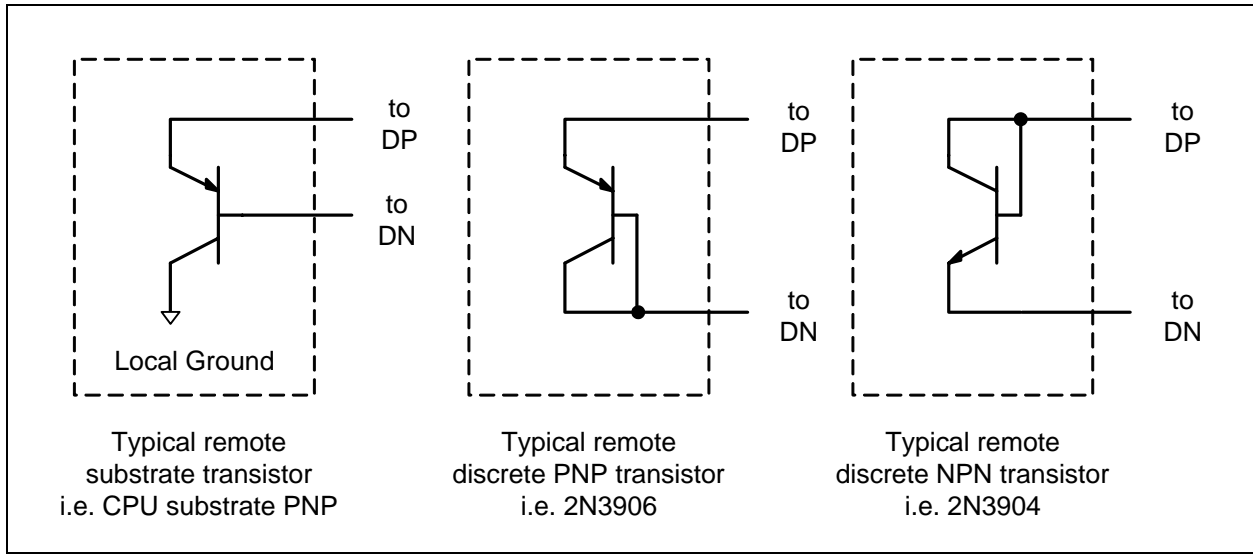


Figure 5.5 Diode Configurations

## Chapter 6 Register Description

The registers shown in [Table 6.1](#) are accessible through the SMBus. An entry of '-' indicates that the bit is not used and will always read '0'.

**Table 6.1 Register Set in Hexadecimal Order**

| REGISTER ADDRESS | R/W | REGISTER NAME                       | FUNCTION   | DEFAULT VALUE | PAGE    |
|------------------|-----|-------------------------------------|--|---------------|---------|
| 00h              | R   | Internal Diode Data High Byte       | Stores the integer data for the Internal Diode   | 00h           | Page 26 |
| 01h              | R   | External Diode Data High Byte       | Stores the integer data for the External Diode   | 00h           |         |
| 02h              | R-C | Status                              | Stores status bits for the Internal Diode and External Diodes                                  | 00h           | Page 26 |
| 03h              | R/W | Configuration                       | Controls the general operation of the device (mirrored at address 09h)                         | 00h           | Page 27 |
| 04h              | R/W | Conversion Rate                     | Controls the conversion rate for updating temperature data (mirrored at address 0Ah)           | 06h (4/sec)   | Page 28 |
| 05h              | R/W | Internal Diode High Limit           | Stores the 8-bit high limit for the Internal Diode (mirrored at address 0Bh)                   | 55h (85°C)    | Page 29 |
| 06h              | R/W | Internal Diode Low Limit            | Stores the 8-bit low limit for the Internal Diode (mirrored at address 0Ch)                    | 00h (0°C)     |         |
| 07h              | R/W | External Diode High Limit High Byte | Stores the integer portion of the high limit for the External Diode (mirrored at register 0Dh) | 55h (85°C)    |         |
| 08h              | R/W | External Diode Low Limit High Byte  | Stores the integer portion of the low limit for the External Diode (mirrored at register 0Eh)  | 00h (0°C)     |         |
| 09h              | R/W | Configuration                       | Controls the general operation of the device (mirrored at address 03h)                         | 00h           | Page 27 |
| 0Ah              | R/W | Conversion Rate                     | Controls the conversion rate for updating temperature data (mirrored at address 04h)           | 06h (4/sec)   | Page 28 |



**Table 6.1 Register Set in Hexadecimal Order (continued)**

| REGISTER ADDRESS | R/W | REGISTER NAME                       | FUNCTION   | DEFAULT VALUE | PAGE    |
|------------------|-----|-------------------------------------|--|---------------|---------|
| 0Bh              | R/W | Internal Diode High Limit           | Stores the 8-bit high limit for the Internal Diode (mirrored at address 05h)                   | 55h (85°C)    | Page 29 |
| 0Ch              | R/W | Internal Diode Low Limit            | Stores the 8-bit low limit for the Internal Diode (mirrored at address 06h)                    | 00h (0°C)     |         |
| 0Dh              | R/W | External Diode High Limit High Byte | Stores the integer portion of the high limit for the External Diode (mirrored at register 07h) | 55h (85°C)    |         |
| 0Eh              | R/W | External Diode Low Limit High Byte  | Stores the integer portion of the low limit for the External Diode (mirrored at register 08h)  | 00h (0°C)     |         |
| 0Fh              | W   | One shot                            | A write to this register initiates a one shot update.  | 00h           | Page 30 |
| 10h              | R   | External Diode Data Low Byte        | Stores the fractional data for the External Diode  | 00h           | Page 26 |
| 11h              | R/W | Scratchpad                          | Scratchpad register for software compatibility   | 00h           | Page 30 |
| 12h              | R/W | Scratchpad                          | Scratchpad register for software compatibility   | 00h           | Page 30 |
| 13h              | R/W | External Diode High Limit Low Byte  | Stores the fractional portion of the high limit for the External Diode                         | 00h           | Page 29 |
| 14h              | R/W | External Diode Low Limit Low Byte   | Stores the fractional portion of the low limit for the External Diode                          | 00h           |         |
| 19h              | R/W | External Diode THERM Limit          | Stores the 8-bit critical temperature limit for the External Diode                             | 55h (85°C)    | Page 30 |
| 1Fh              | R/W | Channel Mask Register               | Controls the masking of individual channels  | 00h           | Page 31 |
| 20h              | R/W | Internal Diode THERM Limit          | Stores the 8-bit critical temperature limit for the Internal Diode                             | 55h (85°C)    | Page 30 |
| 21h              | R/W | THERM Hysteresis                    | Stores the 8-bit hysteresis value that applies to all THERM limits                             | 0Ah (10°C)    |         |
| 22h              | R/W | Consecutive ALERT                   | Controls the number of out-of-limit conditions that must occur before an interrupt is asserted | 70h           | Page 31 |
| 25h              | R/W | External Diode 1 Beta Configuration | Stores the Beta Compensation circuitry settings for External Diode 1                           | 08h           | Page 33 |
| 27h              | R/W | External Diode 1 Ideality Factor    | Stores the ideality factor for External Diode 1  | 12h (1.008)   | Page 34 |
| 29h              | R   | Internal Diode Data Low Byte        | Stores the fractional data for the Internal Diode  | 00h           | Page 26 |
| 40h              | R/W | Filter Control                      | Controls the digital filter setting for the External Diode channel                             | 00h           | Page 35 |

**Table 6.1 Register Set in Hexadecimal Order (continued)**

| REGISTER ADDRESS | R/W | REGISTER NAME | FUNCTION   | DEFAULT VALUE | PAGE    |
|------------------|-----|---------------|--|---------------|---------|
| FDh              | R   | Product ID    | Stores a fixed value that identifies each product        | Table 6.20    | Page 35 |
| FEh              | R   | SMSC ID       | Stores a fixed value that represents SMSC                | 5Dh           | Page 35 |
| FFh              | R   | Revision      | Stores a fixed value that represents the revision number | 01h           | Page 36 |

## 6.1 Data Read Interlock

When any temperature channel high byte register is read, the corresponding low byte is copied into an internal 'shadow' register. The user is free to read the low byte at any time and be guaranteed that it will correspond to the previously read high byte. Regardless if the low byte is read or not, reading from the same high byte register again will automatically refresh this stored low byte data.

## 6.2 Temperature Data Registers

**Table 6.2 Temperature Data Registers**

| ADDR | R/W | REGISTER                 | B7  | B6   | B5    | B4 | B3 | B2 | B1 | B0 | DEFAULT |
|------|-----|--------------------------|-----|------|-------|----|----|----|----|----|---------|
| 00h  | R   | Internal Diode High Byte | 128 | 64   | 32    | 16 | 8  | 4  | 2  | 1  | 00h     |
| 29h  | R   | Internal Diode Low Byte  | 0.5 | 0.25 | 0.125 | -  | -  | -  | -  | -  | 00h     |
| 01h  | R   | External Diode High Byte | 128 | 64   | 32    | 16 | 8  | 4  | 2  | 1  | 00h     |
| 10h  | R   | External Diode Low Byte  | 0.5 | 0.25 | 0.125 | -  | -  | -  | -  | -  | 00h     |

As shown in [Table 6.2](#), all temperatures are stored as an 11-bit value with the high byte representing the integer value and the low byte representing the fractional value left justified to occupy the MSBits.

## 6.3 Status Register

**Table 6.3 Status Register**

| ADDR | R/W | REGISTER | B7   | B6    | B5   | B4    | B3   | B2    | B1     | B0     | DEFAULT |
|------|-----|----------|------|-------|------|-------|------|-------|--------|--------|---------|
| 02h  | R-C | Status   | BUSY | IHIGH | ILOW | EHIGH | ELOW | FAULT | ETHERM | ITHERM | 00h     |

The Status Register reports the operating status of the Internal Diode and External Diode 1 channels. When any of the bits are set (excluding the BUSY bit) either the  $\overline{\text{ALERT}}$  or  $\overline{\text{THERM}}$  pin is being asserted.

The  $\overline{\text{ALERT}}$  and  $\overline{\text{THERM}}$  pins are controlled by the respective consecutive alert counters (see [Section 6.11](#)) and will not be asserted until the programmed consecutive alert count has been reached.

## Datasheet

The status bits (except E1THERM and ITHERM) will remain set until read unless the  $\overline{\text{ALERT}}$  pin is configured as a second  $\overline{\text{THERM}}$  output (see [Section 5.3.2](#)).

Bit 7 - BUSY - This bit indicates that the ADC is currently converting. This bit does not cause either the  $\overline{\text{ALERT}}$  or  $\overline{\text{THERM}}$  pins to be asserted.

Bit 6 - IHIGH - This bit is set when the Internal Diode channel exceeds its programmed high limit. When set, this bit will assert the  $\overline{\text{ALERT}}$  pin.

Bit 5 - ILOW - This bit is set when the Internal Diode channel drops below its programmed low limit. When set, this bit will assert the  $\overline{\text{ALERT}}$  pin.

Bit 4 - EHIGH - This bit is set when the External Diode channel exceeds its programmed high limit. When set, this bit will assert the  $\overline{\text{ALERT}}$  pin.

Bit 3 - ELOW - This bit is set when the External Diode channel drops below its programmed low limit. When set, this bit will assert the  $\overline{\text{ALERT}}$  pin.

Bit 2 - FAULT - This bit is asserted when a diode fault is detected. When set, this bit will assert the  $\overline{\text{ALERT}}$  pin.

Bit 1 - ETHERM - This bit is set when the External Diode channel exceeds the programmed  $\overline{\text{THERM}}$  limit. When set, this bit will assert the  $\overline{\text{THERM}}$  pin. This bit will remain set until the  $\overline{\text{THERM}}$  pin is released at which point it will be automatically cleared.

Bit 0 - ITHERM - This bit is set when the Internal Diode channel exceeds the programmed  $\overline{\text{THERM}}$  limit. When set, this bit will assert the  $\overline{\text{THERM}}$  pin. This bit will remain set until the  $\overline{\text{THERM}}$  pin is released at which point it will be automatically cleared.

## 6.4 Configuration Register

Table 6.4 Configuration Register

| ADDR | R/W | REGISTER      | B7           | B6            | B5             | B4   | B3 | B2    | B1           | B0 | DEFAULT |
|------|-----|---------------|--------------|---------------|----------------|------|----|-------|--------------|----|---------|
| 03h  | R/W | Configuration | MASK<br>_ALL | RUN /<br>STOP | ALERT/<br>COMP | RECD | -  | RANGE | DAVG_<br>DIS | -  | 00h     |
| 09h  |     |               |              |               |                |      |    |       |              |    |         |

The Configuration Register controls the basic operation of the device. This register is fully accessible at either address.

Bit 7 - MASK\_ALL - Masks the  $\overline{\text{ALERT}}$  pin from asserting.

- '0' (default) - The  $\overline{\text{ALERT}}$  pin is not masked. If any of the appropriate status bits are set the  $\overline{\text{ALERT}}$  pin will be asserted.
- '1' - The  $\overline{\text{ALERT}}$  pin is masked. It will not be asserted for any interrupt condition unless it is configured as a secondary  $\overline{\text{THERM}}$  pin. The Status Register will be updated normally.

Bit 6 - RUN / STOP - Controls Active/Standby modes.

- '0' (default) - The device is in Active mode and converting on all channels.
- '1' - The device is in Standby mode and not converting.

Bit 5 - ALERT/COMP - Controls the operation of the  $\overline{\text{ALERT}}$  pin.

- '0' (default) - The  $\overline{\text{ALERT}}$  pin acts as described in [Section 5.3](#).
- '1' - The  $\overline{\text{ALERT}}$  pin acts in comparator mode as described in [Section 5.3.2](#). In this mode the MASK\_ALL bit is ignored.

Bit 4 - RECD - Disables the Resistance Error Correction (REC) for External Diode.

- '0' (default)- REC is enabled for the External Diode.
- '1' - REC is disabled for the External Diode 1.

Bit 2 - RANGE - Configures the measurement range and data format of the temperature channels.

- '0' (default) - The temperature measurement range is 0°C to +127.875°C and the data format is binary.
- '1' -The temperature measurement range is -64°C to +191.875°C and the data format is offset binary (see [Table 5.2](#)).

Bit 1 - DAVG\_DIS - Disables the dynamic averaging feature on all temperature channels.

- '0' (default) - The dynamic averaging feature is enabled. All temperature channels will be converted with an averaging factor that is based on the conversion rate as shown in [Table 5.1](#).
- '1' - The dynamic averaging feature is disabled. All temperature channels will be converted with a maximum averaging factor of 1x (equivalent to 11-bit conversion). For higher conversion rates, this averaging factor will be reduced as shown in [Table 5.1](#).

## 6.5 Conversion Rate Register

**Table 6.5 Conversion Rate Register**

| ADDR | R/W | REGISTER        | B7 | B6 | B5 | B4 | B3        | B2 | B1 | B0 | DEFAULT        |
|------|-----|-----------------|----|----|----|----|-----------|----|----|----|----------------|
| 04h  | R/W | Conversion Rate | -  | -  | -  | -  | CONV[3:0] |    |    |    | 06h<br>(4/sec) |
| 0Ah  |     |                 |    |    |    |    |           |    |    |    |                |

The Conversion Rate Register controls how often the temperature measurement channels are updated and compared against the limits. This register is fully accessible at either address.

Bits 3-0 - CONV[3:0] - Determines the conversion rate as shown in [Table 6.6](#).

**Table 6.6 Conversion Rate**

| CONV[3:0] |   |   |   |   | CONVERSIONS / SECOND |
|-----------|---|---|---|---|----------------------|
| HEX       | 3 | 2 | 1 | 0 |                      |
| 0h        | 0 | 0 | 0 | 0 | 1 / 16               |
| 1h        | 0 | 0 | 0 | 1 | 1 / 8                |
| 2h        | 0 | 0 | 1 | 0 | 1 / 4                |
| 3h        | 0 | 0 | 1 | 1 | 1 / 2                |
| 4h        | 0 | 1 | 0 | 0 | 1                    |
| 5h        | 0 | 1 | 0 | 1 | 2                    |
| 6h        | 0 | 1 | 1 | 0 | 4 (default)          |
| 7h        | 0 | 1 | 1 | 1 | 8                    |
| 8h        | 1 | 0 | 0 | 0 | 16                   |
| 9h        | 1 | 0 | 0 | 1 | 32                   |

Table 6.6 Conversion Rate (continued)

| CONV[3:0] |            |   |   |   | CONVERSIONS / SECOND |
|-----------|------------|---|---|---|----------------------|
| HEX       | 3          | 2 | 1 | 0 |                      |
| Ah        | 1          | 0 | 1 | 0 | 64                   |
| Bh - Fh   | All others |   |   |   | 1                    |

## 6.6 Limit Registers

Table 6.7 Temperature Limit Registers

| ADDR. | R/W | REGISTER                            | B7  | B6   | B5    | B4 | B3 | B2 | B1 | B0 | DEFAULT    |
|-------|-----|-------------------------------------|-----|------|-------|----|----|----|----|----|------------|
| 05h   | R/W | Internal Diode High Limit           | 128 | 64   | 32    | 16 | 8  | 4  | 2  | 1  | 55h (85°C) |
| 0Bh   |     |                                     |     |      |       |    |    |    |    |    |            |
| 06h   | R/W | Internal Diode Low Limit            | 128 | 64   | 32    | 16 | 8  | 4  | 2  | 1  | 00h (0°C)  |
| 0Ch   |     |                                     |     |      |       |    |    |    |    |    |            |
| 07h   | R/W | External Diode High Limit High Byte | 128 | 64   | 32    | 16 | 8  | 4  | 2  | 1  | 55h (85°C) |
| 0Dh   |     |                                     |     |      |       |    |    |    |    |    |            |
| 13h   | R/W | External Diode High Limit Low Byte  | 0.5 | 0.25 | 0.125 | -  | -  | -  | -  | -  | 00h        |
| 08h   | R/W | External Diode Low Limit High Byte  | 128 | 64   | 32    | 16 | 8  | 4  | 2  | 1  | 00h (0°C)  |
| 0Eh   |     |                                     |     |      |       |    |    |    |    |    |            |
| 14h   | R/W | External Diode Low Limit Low Byte   | 0.5 | 0.25 | 0.125 | -  | -  | -  | -  | -  | 00h        |

The device contains both high and low limits for all temperature channels. If the measured temperature exceeds the high limit, then the corresponding status bit is set and the ALERT pin is asserted. Likewise, if the measured temperature is less than or equal to the low limit, the corresponding status bit is set and the ALERT pin is asserted.

The data format for the limits must match the selected data format for the temperature so that if the extended temperature range is used, the limits must be programmed in the extended data format.

The limit registers with multiple addresses are fully accessible at either address.

When the device is in standby mode, updating the limit registers will have no effect until the next conversion cycle occurs. This can be initiated via a write to the One Shot Register or by clearing the RUN / STOP bit in the Configuration Register (see [Section 6.4](#)).

## 6.7 Scratchpad Registers

**Table 6.8 Scratchpad Register**

| ADDR | R/W | REGISTER   | B7 | B6 | B5 | B4 | B3 | B2 | B1 | B0 | DEFAULT |
|------|-----|------------|----|----|----|----|----|----|----|----|---------|
| 11h  | R/W | Scratchpad | 7  | 6  | 5  | 4  | 3  | 2  | 1  | 0  | 00h     |
| 12h  | R/W | Scratchpad | 7  | 6  | 5  | 4  | 3  | 2  | 1  | 0  | 00h     |

The Scratchpad Registers are Read Write registers that are used for place holders to be software compatible with legacy programs. Reading from the registers will return what is written to them.

## 6.8 One Shot Register

**Table 6.9 One Shot Register**

| ADDR. | R/W | REGISTER | B7  | B6 | B5 | B4 | B3 | B2 | B1 | B0 | DEFAULT |
|-------|-----|----------|---|----|----|----|----|----|----|----|---------|
| 0Fh   | W   | One Shot | Writing to this register initiates a single conversion cycle. Data is not stored and always reads 00h |    |    |    |    |    |    |    | 00h     |

The One Shot Register is used to initiate a one shot command. Writing to the one shot register, when the device is in standby mode and BUSY bit (in Status Register) is '0', will immediately cause the ADC to update all temperature measurements. Writing to the One Shot Register while the device is in active mode will have no affect.

## 6.9 Therm Limit Registers

**Table 6.10 Therm Limit Registers**

| ADDR. | R/W | REGISTER                   | B7  | B6 | B5 | B4 | B3 | B2 | B1 | B0 | DEFAULT    |
|-------|-----|----------------------------|-----|----|----|----|----|----|----|----|------------|
| 19h   | R/W | External Diode THERM Limit | 128 | 64 | 32 | 16 | 8  | 4  | 2  | 1  | 55h (85°C) |
| 20h   | R/W | Internal Diode THERM Limit | 128 | 64 | 32 | 16 | 8  | 4  | 2  | 1  | 55h (85°C) |
| 21h   | R/W | THERM Hysteresis           | 128 | 64 | 32 | 16 | 8  | 4  | 2  | 1  | 0Ah (10°C) |

The THERM Limit Registers are used to determine whether a critical thermal event has occurred. If the measured temperature exceeds the THERM Limit, then the  $\overline{\text{THERM}}$  pin is asserted. The limit setting must match the chosen data format of the temperature reading registers.

Unlike the  $\overline{\text{ALERT}}$  pin, the  $\overline{\text{THERM}}$  pin cannot be masked. Additionally, the  $\overline{\text{THERM}}$  pin will be released once the temperature drops below the corresponding threshold minus the THERM Hysteresis.

## 6.10 Channel Mask Register

Table 6.11 Channel Mask Register

| ADDR. | R/W | REGISTER     | B7 | B6 | B5 | B4 | B3 | B2 | B1     | B0       | DEFAULT |
|-------|-----|--------------|----|----|----|----|----|----|--------|----------|---------|
| 1Fh   | R/W | Channel Mask | -  | -  | -  | -  | -  | -  | E MASK | INT MASK | 00h     |

The Channel Mask Register controls individual channel masking. When a channel is masked, the  $\overline{\text{ALERT}}$  pin will not be asserted when the masked channel reads a diode fault or out of limit error. The channel mask does not mask the  $\overline{\text{THERM}}$  pin.

Bit 1 - EMASK - Masks the  $\overline{\text{ALERT}}$  pin from asserting when the External Diode channel is out of limit or reports a diode fault.

- '0' (default) - The External Diode channel will cause the  $\overline{\text{ALERT}}$  pin to be asserted if it is out of limit or reports a diode fault.
- '1' - The External Diode channel will not cause the  $\overline{\text{ALERT}}$  pin to be asserted if it is out of limit or reports a diode fault.

Bit 0 - INTMASK - Masks the  $\overline{\text{ALERT}}$  pin from asserting when the Internal Diode temperature is out of limit.

- '0' (default) - The Internal Diode channel will cause the  $\overline{\text{ALERT}}$  pin to be asserted if it is out of limit.
- '1' - The Internal Diode channel will not cause the  $\overline{\text{ALERT}}$  pin to be asserted if it is out of limit.

## 6.11 Consecutive ALERT Register

Table 6.12 Consecutive ALERT Register

| ADDR. | R/W | REGISTER          | B7       | B6         | B5 | B4 | B3         | B2 | B1 | B0 | DEFAULT |
|-------|-----|-------------------|----------|------------|----|----|------------|----|----|----|---------|
| 22h   | R/W | Consecutive ALERT | TIME OUT | CTHRM[2:0] |    |    | CALRT[2:0] |    |    | -  | 70h     |

The Consecutive ALERT Register determines how many times an out-of-limit error or diode fault must be detected in consecutive measurements before the  $\overline{\text{ALERT}}$  or  $\overline{\text{THERM}}$  pin is asserted. Additionally, the Consecutive ALERT Register controls the SMBus Timeout functionality.

An out-of-limit condition (i.e. HIGH, LOW, or FAULT) occurring on the same temperature channel in consecutive measurements will increment the consecutive alert counter. The counters will also be reset if no out-of-limit condition or diode fault condition occurs in a consecutive reading.

When the ALERT pin is configured as an interrupt, when the consecutive alert counter reaches its programmed value, the following will occur: the STATUS bit(s) for that channel and the last error condition(s) (i.e. EHIGH) will be set to '1', the  $\overline{\text{ALERT}}$  pin will be asserted, the consecutive alert counter will be cleared, and measurements will continue.

When the  $\overline{\text{ALERT}}$  pin is configured as a comparator, the consecutive alert counter will ignore diode fault and low limit errors and only increment if the measured temperature exceeds the High Limit. Additionally, once the consecutive alert counter reaches the programmed limit, the  $\overline{\text{ALERT}}$  pin will be asserted, but the counter will not be reset. It will remain set until the temperature drops below the High Limit minus the THERM Hysteresis value.

For example, if the CALRT[2:0] bits are set for 4 consecutive alerts, the high limits are set at 70°C, and none of the channels are masked, then the  $\overline{\text{ALERT}}$  pin will be asserted after the following four measurements:

1. Internal Diode reads 71°C and the external diode reads 69°C. Consecutive alert counter for INT is incremented to 1.
2. Both the Internal Diode and the External Diode read 71°C. Consecutive alert counter for INT is incremented to 2 and for EXT is set to 1.
3. The External Diode reads 71°C and the Internal Diode reads 69°C. Consecutive alert counter for INT is cleared and EXT is incremented to 2.
4. The Internal Diode reads 71°C and the external diode reads 71°C. Consecutive alert counter for INT is set to 1 and EXT is incremented to 3.
5. The Internal Diode reads 71°C and the external diode reads 71°C. Consecutive alert counter for INT is incremented to 2 and EXT is incremented to 4. The appropriate status bits are set for EXT and the ALERT pin is asserted. EXT counter is reset to 0 and all other counters hold the last value until the next temperature measurement.

Bit 7 - TIMEOUT - Determines whether the SMBus Timeout function is enabled.

- '0' (default) - The SMBus Timeout feature is disabled. The SMCLK line can be held low indefinitely without the device resetting its SMBus protocol.
- '1' - The SMBus Timeout feature is enabled. If the SMCLK line is held low for more than 30ms, then the device will reset the SMBus protocol.

Bits 6-4 - CTHRM[2:0] - Determines the number of consecutive measurements that must exceed the corresponding THERM Limit before the THERM pin is asserted. All temperature channels use this value to set the respective counters. The consecutive THERM counter is incremented whenever any measurement exceed the corresponding THERM Limit.

If the temperature drops below the THERM limit, then the counter is reset. If a number of consecutive measurements above the THERM limit occurs, then the THERM pin is asserted low.

Once the THERM pin has been asserted, the consecutive therm counter will not reset until the corresponding temperature drops below the THERM Limit minus the THERM Hysteresis value.

The bits are decoded as shown in [Table 6.13](#). The default setting is 4 consecutive out of limit conversions.

Bits 3-1 - CALRT[2:0] - Determine the number of consecutive measurements that must have an out of limit condition or diode fault before the ALERT pin is asserted. All temperature channels use this value to set the respective counters. The bits are decoded as shown in [Table 6.13](#). The default setting is 1 consecutive out of limit conversion.

**Table 6.13 Consecutive Alert / THERM Settings**

| 2 | 1 | 0 | NUMBER OF CONSECUTIVE OUT OF LIMIT MEASUREMENTS |
|---|---|---|---|
| 0 | 0 | 0 | 1<br>(default for CALRT[2:0])                   |
| 0 | 0 | 1 | 2   |
| 0 | 1 | 1 | 3   |
| 1 | 1 | 1 | 4<br>(default for CTHRM[2:0])                   |



## 6.12 Beta Configuration Registers

Table 6.14 Beta Configuration Registers

| ADDR. | R/W | REGISTER                                  | B7 | B6 | B5 | B4 | B3     | B2        | B1 | B0 | DEFAULT |
|-------|-----|---|----|----|----|----|--------|-----------|----|----|---------|
| 25h   | R/W | External Diode<br>1 Beta<br>Configuration | -  | -  | -  | -  | ENABLE | BETA[2:0] |    |    | 08h     |

This register is used to set the Beta Compensation factor that is used for the external diode channel.

Bit 3 - ENABLE - Enables the Beta Compensation factor autodetection function.

- '0' - The Beta Compensation Factor autodetection circuitry is disabled. The External Diode will always use the Beta Compensation factor set by the BETA[2:0] bits.
- '1' (default) - The Beta Compensation factor autodetection circuitry is enabled. At the beginning of every conversion, the optimal Beta Compensation factor setting will be determined and applied. The BETA[2:0] bits will be automatically updated to indicate the current setting.

Bit 2-0 - BETA[2:0] - These bits always reflect the current beta configuration settings. If autodetection circuitry is enabled, then these bits will be updated automatically and writing to these bits will have no effect. If the autodetection circuitry is disabled, then these bits will determine the beta configuration setting that is used for their respective channels.

Care should be taken when setting the BETA[2:0] bits when the autodetection circuitry is disabled. If the Beta Compensation factor is set at a beta value that is higher than the transistor beta, then the circuit may introduce measurement errors. When measuring a discrete thermal diode (such as 2N3904) or a CPU diode that functions like a discrete thermal diode (such as an AMD processor diode), then the BETA[2:0] bits should be set to '111b'.

Table 6.15 CPU Beta Values

| HEX     | ENABLE | BETA[2:0] |   |   | MINIMUM BETA  |
|---------|--------|-----------|---|---|---------------|
|         |        | 2         | 1 | 0 |               |
| 0h      | 0      | 0         | 0 | 0 | 0.11          |
| 1h      | 0      | 0         | 0 | 1 | 0.18          |
| 2h      | 0      | 0         | 1 | 0 | 0.25          |
| 3h      | 0      | 0         | 1 | 1 | 0.33          |
| 4h      | 0      | 1         | 0 | 0 | 0.43          |
| 5h      | 0      | 1         | 0 | 1 | 1.00          |
| 6h      | 0      | 1         | 1 | 0 | 2.33          |
| 7h      | 0      | 1         | 1 | 1 | Disabled      |
| 8h - Fh | 1      | X         | X | X | Autodetection |

## 6.13 External Diode Ideality Factor Registers

**Table 6.16 Ideality Configuration Registers**

| ADDR. | R/W | REGISTER                         | B7 | B6 | B5            | B4 | B3 | B2 | B1 | B0 | DEFAULT |
|-------|-----|----------------------------------|----|----|---------------|----|----|----|----|----|---------|
| 27h   | R/W | External Diode 1 Ideality Factor | -  | -  | IDEALITY[5:0] |    |    |    |    |    | 12h     |

These registers store the ideality factors that are applied to the external diodes. [Table 6.17](#) defines each setting and the corresponding ideality factor.

Beta Compensation and Resistance Error Correction automatically correct for most diode ideality errors, therefore it is not recommended that these settings be updated without consulting SMSC.

**Table 6.17 Ideality Factor Look-Up Table**

| SETTING | FACTOR | SETTING | FACTOR | SETTING | FACTOR |
|---------|--------|---------|--------|---------|--------|
| 08h     | 0.9949 | 18h     | 1.0159 | 28h     | 1.0371 |
| 09h     | 0.9962 | 19h     | 1.0172 | 29h     | 1.0384 |
| 0Ah     | 0.9975 | 1Ah     | 1.0185 | 2Ah     | 1.0397 |
| 0Bh     | 0.9988 | 1Bh     | 1.0200 | 2Bh     | 1.0410 |
| 0Ch     | 1.0001 | 1Ch     | 1.0212 | 2Ch     | 1.0423 |
| 0Dh     | 1.0014 | 1Dh     | 1.0226 | 2Dh     | 1.0436 |
| 0Eh     | 1.0027 | 1Eh     | 1.0239 | 2Eh     | 1.0449 |
| 0Fh     | 1.0040 | 1Fh     | 1.0253 | 2Fh     | 1.0462 |
| 10h     | 1.0053 | 20h     | 1.0267 | 30h     | 1.0475 |
| 11h     | 1.0066 | 21h     | 1.0280 | 31h     | 1.0488 |
| 12h     | 1.0080 | 22h     | 1.0293 | 32h     | 1.0501 |
| 13h     | 1.0093 | 23h     | 1.0306 | 33h     | 1.0514 |
| 14h     | 1.0106 | 24h     | 1.0319 | 34h     | 1.0527 |
| 15h     | 1.0119 | 25h     | 1.0332 | 35h     | 1.0540 |
| 16h     | 1.0133 | 26h     | 1.0345 | 36h     | 1.0553 |
| 17h     | 1.0146 | 27h     | 1.0358 | 37h     | 1.0566 |

## 6.14 Filter Control Register

Table 6.18 Filter Configuration Register

| ADDR. | R/W | REGISTER       | B7 | B6 | B5 | B4 | B3 | B2 | B1          | B0 | DEFAULT |
|-------|-----|----------------|----|----|----|----|----|----|-------------|----|---------|
| 40h   | R/W | Filter Control | -  | -  | -  | -  | -  | -  | FILTER[1:0] |    | 00h     |

The Filter Configuration Register controls the digital filter on the External Diode channel.

Bits 1-0 - FILTER[1:0] - Control the level of digital filtering that is applied to the External Diode temperature measurements as shown in Table 6.19. See Figure 5.2 and Figure 5.3 for examples on the filter behavior.

Table 6.19 Filter Settings

| FILTER[1:0] |   | AVERAGING          |
|-------------|---|--------------------|
| 1           | 0 |                    |
| 0           | 0 | Disabled (default) |
| 0           | 1 | Level 1            |
| 1           | 0 | Level 1            |
| 1           | 1 | Level 2            |

## 6.15 Product ID Register

Table 6.20 Product ID Register

| ADDR | R/W | REGISTER   | B7 | B6 | B5 | B4 | B3 | B2 | B1 | B0 | DEFAULT        |
|------|-----|------------|----|----|----|----|----|----|----|----|----------------|
| FDh  | R   | Product ID | 0  | 0  | 1  | 0  | 0  | 0  | 0  | 0  | 20h<br>EMC1402 |

The Product ID Register holds a unique value that identifies the device.

## 6.16 SMSC ID Register (FEh)

Table 6.21 Manufacturer ID Register

| ADDR. | R/W | REGISTER | B7 | B6 | B5 | B4 | B3 | B2 | B1 | B0 | DEFAULT |
|-------|-----|----------|----|----|----|----|----|----|----|----|---------|
| FEh   | R   | SMSC ID  | 0  | 1  | 0  | 1  | 1  | 1  | 0  | 1  | 5Dh     |

The Manufacturer ID register contains an 8 bit word that identifies the SMSC as the manufacturer of the EMC1402.

## 6.17 Revision Register (FFh)

Table 6.22 Revision Register

| ADDR. | R/W | REGISTER | B7 | B6 | B5 | B4 | B3 | B2 | B1 | B0 | DEFAULT |
|-------|-----|----------|----|----|----|----|----|----|----|----|---------|
| FFh   | R   | Revision | 0  | 0  | 0  | 0  | 0  | 0  | 0  | 1  | 01h     |

The Revision register contains an 8 bit word that identifies the die revision.

# Chapter 7 Package Information

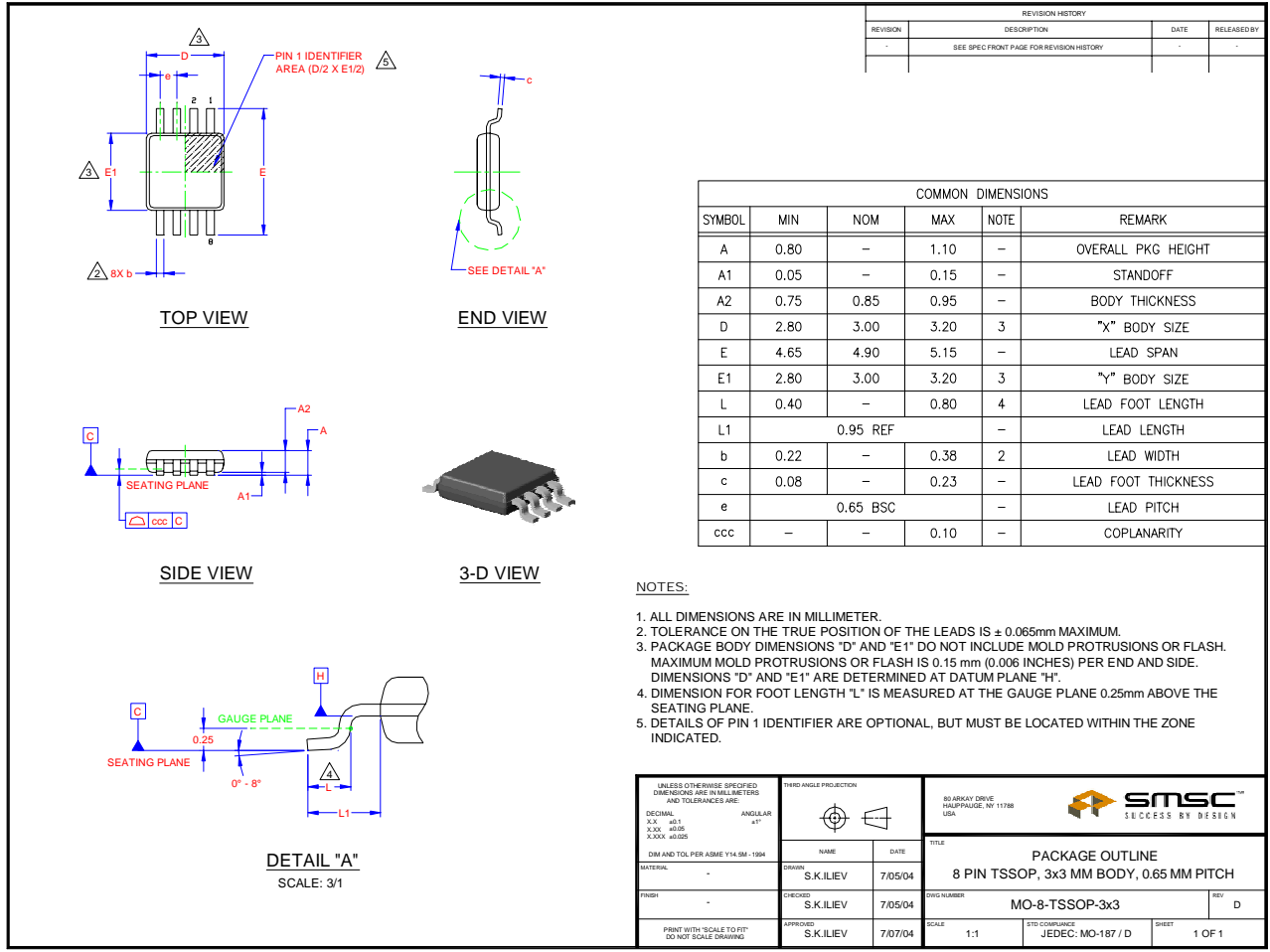


Figure 7.1 8 PIN MSOP / TSSOP Package