

## ADM206–ADM211/ADM213

### FEATURES

- 0.1  $\mu$ F to 10  $\mu$ F Capacitors
- 120 kB/s Data Rate
- Two Receivers Active in Shutdown (ADM213)
- On-Board DC-to-DC Converters
- $\pm 9$  V Output Swing with 5 V Supply
- Low Power (15 mW)
- Low Power Shutdown  $\leq 5 \mu$ W
- $\pm 30$  V Receiver Input Levels
- Latch-Up FREE
- Plug-In Upgrade for MAX205-211/213

### APPLICATIONS

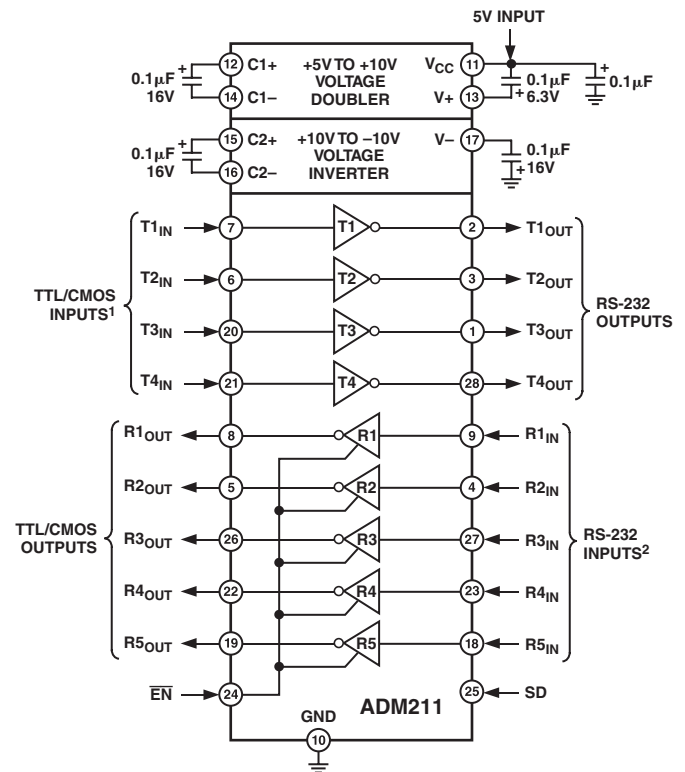
- Computers
- Peripherals
- Modems
- Printers
- Instruments

### GENERAL DESCRIPTION

The ADM2xx family of line drivers/receivers is intended for all EIA-232-E and V.28 communications interfaces, especially in applications where  $\pm 12$  V is not available. The ADM206, ADM211, and ADM213 feature a low power shutdown mode that reduces power dissipation to less than  $5 \mu$ W, making them ideally suited for battery-powered equipment. The ADM213 has an active low shutdown and an active high receiver enable control. Two receivers of the ADM213 remain active during shutdown. This feature is useful for ring indicator monitoring.

All members of the ADM2xx family, except the ADM209, include two internal charge pump voltage converters that allow

### TYPICAL OPERATING CIRCUIT



#### NOTES

- <sup>1</sup>INTERNAL 400k $\Omega$  PULL-UP RESISTOR ON EACH TTL/CMOS INPUT.
- <sup>2</sup>INTERNAL 5k $\Omega$  PULL-DOWN RESISTOR ON EACH RS-232 INPUT.

operation from a single 5 V supply. These converters convert the 5 V input power to the  $\pm 10$  V required for RS-232 output levels. The ADM209 is designed to operate from 5 V and 12 V supplies. An internal +12 V to -12 V charge pump voltage converter generates the -12 V supply.

Table I. Selection Table

Part Number	Power Supply Voltage	Number of RS-232 Drivers	Number of RS-232 Receivers	External Capacitors	Low Power Shutdown (SD)	TTL Three-State $\overline{\text{EN}}$	Number of Receivers Active in Shutdown
ADM206	5 V	4	3	4	Yes	Yes	0
ADM207	5 V	5	3	4	No	No	0
ADM208	5 V	4	4	4	No	No	0
ADM209	5 V and 9 V to 13.2 V	3	5	2	No	Yes	0
ADM211	5 V	4	5	4	Yes	Yes	0
ADM213	5 V	4	5	4	Yes ( $\overline{\text{SD}}$ )	Yes (EN)	2

### REV. B

Information furnished by Analog Devices is believed to be accurate and reliable. However, no responsibility is assumed by Analog Devices for its use, nor for any infringements of patents or other rights of third parties that may result from its use. No license is granted by implication or otherwise under any patent or patent rights of Analog Devices.

# ADM206–ADM211/ADM213–SPECIFICATIONS ( $V_{CC} = 5\text{ V} \pm 10\%$ (206, 207, 208, 209, 211, 213); $V_+ = 9\text{ V}$ to $13.2\text{ V}$ (ADM209); $C1$ – $C4 = 0.1\ \mu\text{F}$

Ceramic. All Specifications  $T_{MIN}$  to  $T_{MAX}$ , unless otherwise noted.)

Parameter	Min	Typ	Max	Unit	Test Conditions/Comments
Output Voltage Swing	$\pm 5$	$\pm 9$		V	All Transmitter Outputs Loaded with 3 k $\Omega$ to Ground
$V_{CC}$ Power Supply Current		5	13	mA	No Load
$V_+$ Power Supply Current		0.4	1	mA	No Load, ADM209
Shutdown Supply Current		3.5	5	mA	No Load, $V_+ = 12\text{ V}$ , ADM209 Only
Input Logic Threshold Low, $V_{INL}$		1	10	$\mu\text{A}$	
Input Logic Threshold High, $V_{INH}$	2.4		0.8	V	$T_{IN}, \overline{EN}, SD, EN, \overline{SD}$
Logic Pull-Up Current		10	25	$\mu\text{A}$	$T_{IN}, \overline{EN}, SD, EN, \overline{SD}$
RS-232 Input Voltage Range*	$-30$		$+30$	V	$T_{IN} = 0\text{ V}$
RS-232 Input Threshold Low	0.8	1.2		V	
RS-232 Input Threshold High		1.7	2.4	V	
RS-232 Input Hysteresis		0.25		V	
RS-232 Input Resistance	3	5	7	k $\Omega$	$T_A = 0^\circ\text{C}$ to $85^\circ\text{C}$
TTL/CMOS Output Voltage Low, $V_{OL}$			0.4	V	$I_{OUT} = 1.6\text{ mA}$
TTL/CMOS Output Voltage High, $V_{OH}$	3.5			V	$I_{OUT} = -1.0\text{ mA}$
TTL/CMOS Output Leakage Current		0.05	$\pm 10$	$\mu\text{A}$	$\overline{EN} = V_{CC}, EN = 0\text{ V}, 0\text{ V} \leq R_{OUT} \leq V_{CC}$
Output Enable Time ( $T_{EN}$ )		115		ns	ADM206, ADM209, ADM211
Output Disable Time ( $T_{DIS}$ )		165		ns	(Figure 15. $C_L = 150\text{ pF}$ ) ADM206, ADM209, ADM211
Propagation Delay		0.5	5	$\mu\text{s}$	(Figure 15. $R_L = 1\text{ k}\Omega$ ) RS-232 to TTL
Transition Region Slew Rate		8		V/ $\mu\text{s}$	$R_L = 3\text{ k}\Omega, C_L = 2500\text{ pF}$ Measured from $+3\text{ V}$ to $-3\text{ V}$ or $-3\text{ V}$ to $+3\text{ V}$
Output Resistance	300			$\Omega$	$V_{CC} = V_+ = V_- = 0\text{ V}, V_{OUT} = \pm 2\text{ V}$
RS-232 Output Short Circuit Current		$\pm 12$	$\pm 60$	mA	

\*Guaranteed by design.

Specifications subject to change without notice.

# ADM206–ADM211/ADM213

## ABSOLUTE MAXIMUM RATINGS\*

(T<sub>A</sub> = 25°C, unless otherwise noted.)

V <sub>CC</sub> .....	-0.3 V to +6 V
V <sub>+</sub> .....	(V <sub>CC</sub> - 0.3 V) to +14 V
V <sub>-</sub> .....	+0.3 V to -14 V
Input Voltages	
T <sub>IN</sub> .....	-0.3 V to (V <sub>CC</sub> + 0.3 V)
R <sub>IN</sub> .....	±30 V
Output Voltages	
T <sub>OUT</sub> .....	(V <sub>+</sub> , +0.3 V) to (V <sub>-</sub> , -0.3 V)
R <sub>OUT</sub> .....	-0.3 V to (V <sub>CC</sub> + 0.3 V)
Short Circuit Duration	
T <sub>OUT</sub> .....	Continuous
Power Dissipation	
N-24 DIP (Derate 13.5 mW/°C above 70°C) ...	1000 mW
R-24 SOIC (Derate 12 mW/°C above 70°C) ....	850 mW
R-28 SOIC (Derate 12.5 mW/°C above 70°C) ...	900 mW
RS-24 SSOP (Derate 12 mW/°C above 70°C) ....	850 mW
RS-28 SSOP (Derate 10 mW/°C above 70°C) ....	900 mW

Thermal Impedance, θ<sub>JA</sub>

N-24 DIP .....	120°C/W
R-24 SOIC .....	85°C/W
R-28 SOIC .....	80°C/W
RS-24 SSOP .....	115°C/W
RS-28 SSOP .....	100°C/W
Operating Temperature Range	
Industrial (A Version) .....	-40°C to +85°C
Storage Temperature Range .....	-65°C to +150°C
Lead Temperature, Soldering .....	300°C
Vapor Phase (60 sec) .....	215°C
Infrared (15 sec) .....	220°C

\*This is a stress rating only; functional operation of the device at these or any other conditions above those indicated in the operation sections of this specification is not implied. Exposure to absolute maximum rating conditions for extended periods of time may affect reliability.

## ORDERING GUIDE

Model	Temperature Range	Package Option*	Model	Temperature Range	Package Option*	Model	Temperature Range	Package Option*
<b>ADM206</b>			<b>ADM207</b>			<b>ADM208</b>		
ADM206AN	-40°C to +85°C	N-24	ADM207AN	-40°C to +85°C	N-24	ADM208AN	-40°C to +85°C	N-24
ADM206AR	-40°C to +85°C	R-24	ADM207AR	-40°C to +85°C	R-24	ADM208AR	-40°C to +85°C	R-24
ADM206ARS	-40°C to +85°C	RS-24	ADM207ARS	-40°C to +85°C	RS-24	ADM208ARS	-40°C to +85°C	RS-24
<b>ADM209</b>			<b>ADM211</b>			<b>ADM213</b>		
ADM209AN	-40°C to +85°C	N-24	ADM211AR	-40°C to +85°C	R-28	ADM213AR	-40°C to +85°C	R-28
ADM209AR	-40°C to +85°C	R-24	ADM211ARS	-40°C to +85°C	RS-28	ADM213ARS	-40°C to +85°C	RS-28
ADM209ARS	-40°C to +85°C	RS-24						

\*N = Plastic DIP; R = Small Outline IC (SOIC); and RS = Small Shrink Outline Package (SSOP).

## CAUTION

ESD (electrostatic discharge) sensitive device. Electrostatic charges as high as 4000 V readily accumulate on the human body and test equipment and can discharge without detection. Although the ADM206–ADM211/ADM213 features proprietary ESD protection circuitry, permanent damage may occur on devices subjected to high-energy electrostatic discharges. Therefore, proper ESD precautions are recommended to avoid performance degradation or loss of functionality.



# ADM206-ADM211/ADM213

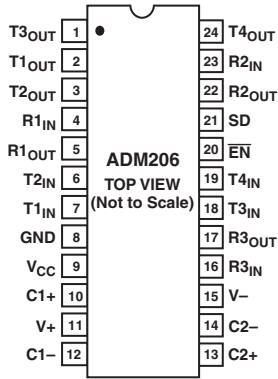


Figure 1. ADM206 DIP/SOIC/SSOP Pin Configuration

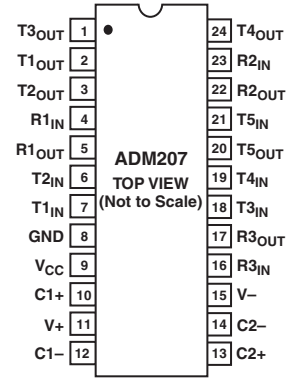
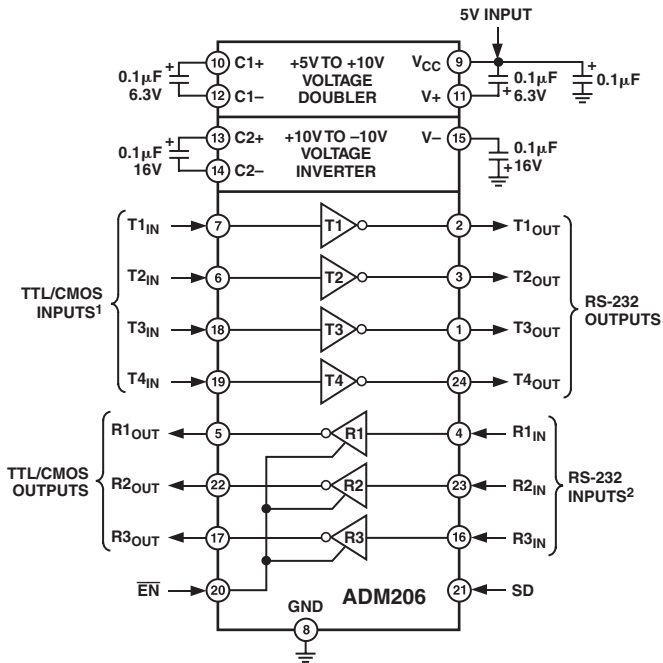
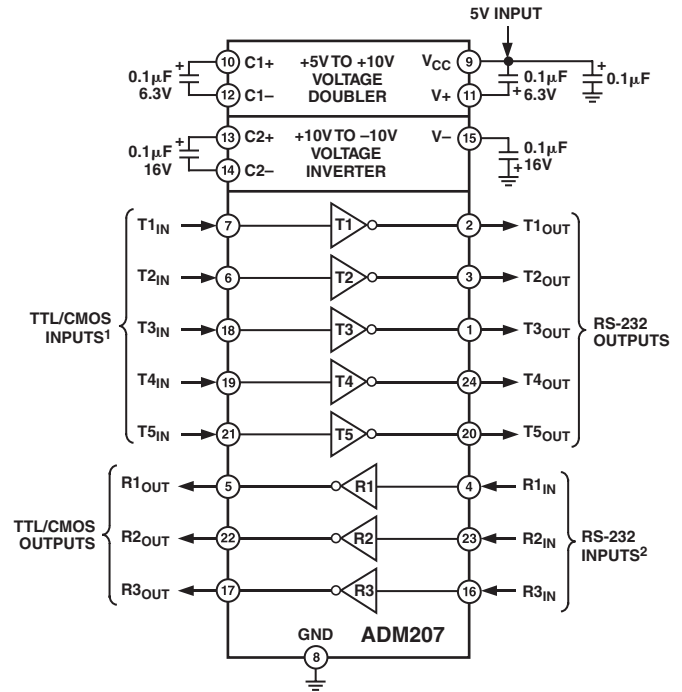


Figure 3. ADM207 DIP/SOIC/SSOP Pin Configuration



NOTES  
<sup>1</sup>INTERNAL 400kΩ PULL-UP RESISTOR ON EACH TTL/CMOS INPUT.  
<sup>2</sup>INTERNAL 5kΩ PULL-DOWN RESISTOR ON EACH RS-232 INPUT.

Figure 2. ADM206 Typical Operating Circuit



NOTES  
<sup>1</sup>INTERNAL 400kΩ PULL-UP RESISTOR ON EACH TTL/CMOS INPUT.  
<sup>2</sup>INTERNAL 5kΩ PULL-DOWN RESISTOR ON EACH RS-232 INPUT.

Figure 4. ADM207 Typical Operating Circuit

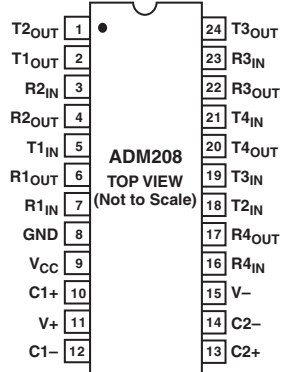


Figure 5. ADM208 DIP/SOIC/SSOP Pin Configuration

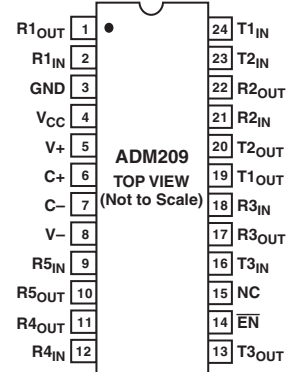
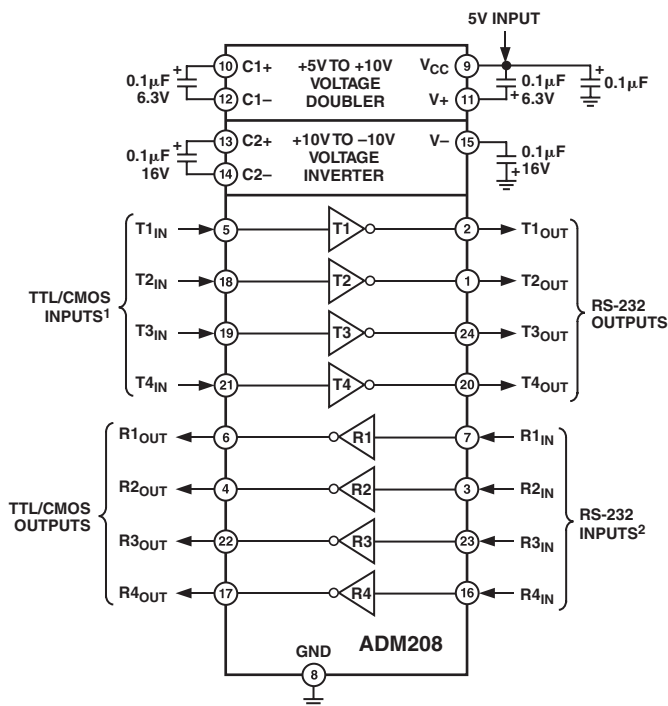
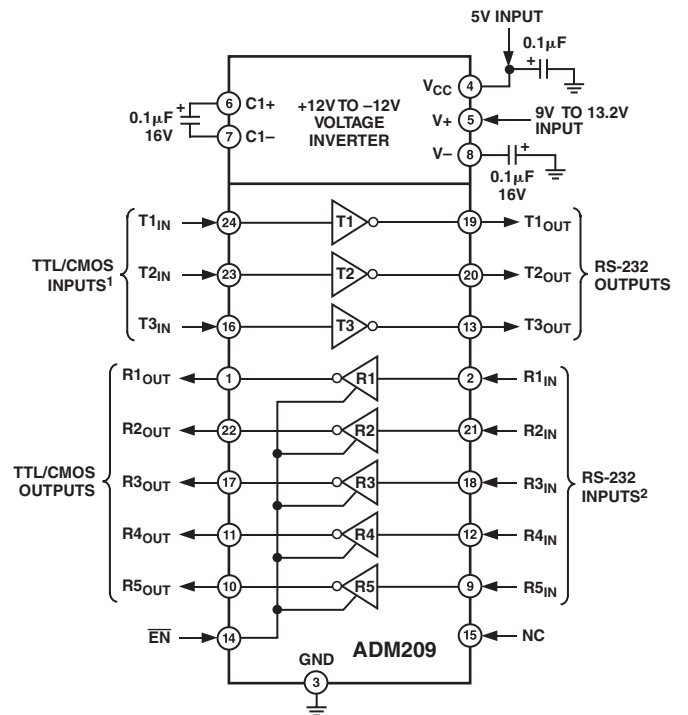


Figure 7. ADM209 DIP/SOIC/SSOP Pin Configuration



NOTES  
<sup>1</sup>INTERNAL 400kΩ PULL-UP RESISTOR ON EACH TTL/CMOS INPUT.  
<sup>2</sup>INTERNAL 5kΩ PULL-DOWN RESISTOR ON EACH RS-232 INPUT.

Figure 6. ADM208 Typical Operating Circuit



NOTES  
<sup>1</sup>INTERNAL 400kΩ PULL-UP RESISTOR ON EACH TTL/CMOS INPUT.  
<sup>2</sup>INTERNAL 5kΩ PULL-DOWN RESISTOR ON EACH RS-232 INPUT.

Figure 8. ADM209 Typical Operating Circuit

# ADM206-ADM211/ADM213

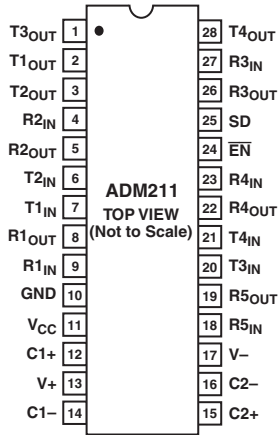
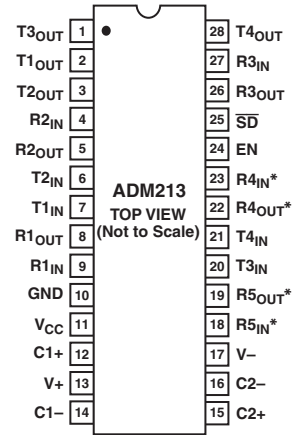
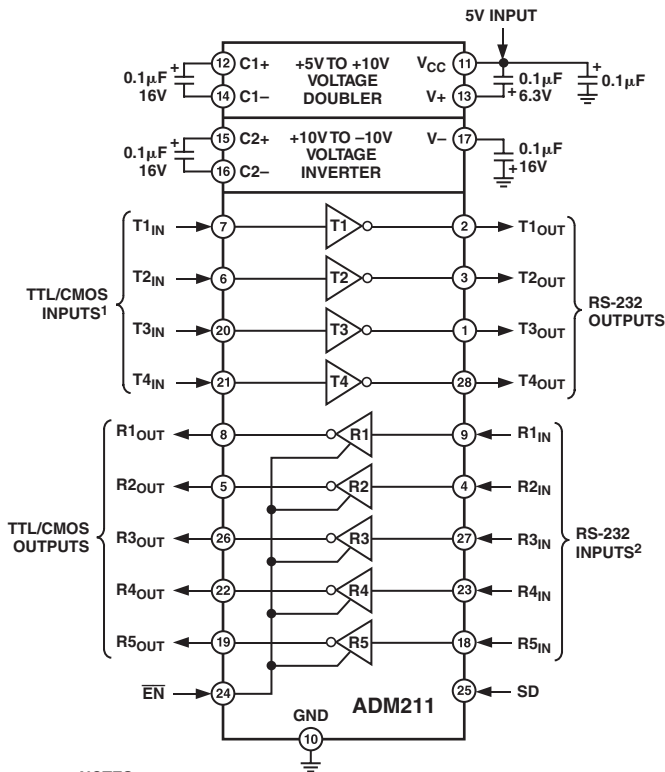


Figure 9. ADM211 SOIC/SSOP Pin Configuration



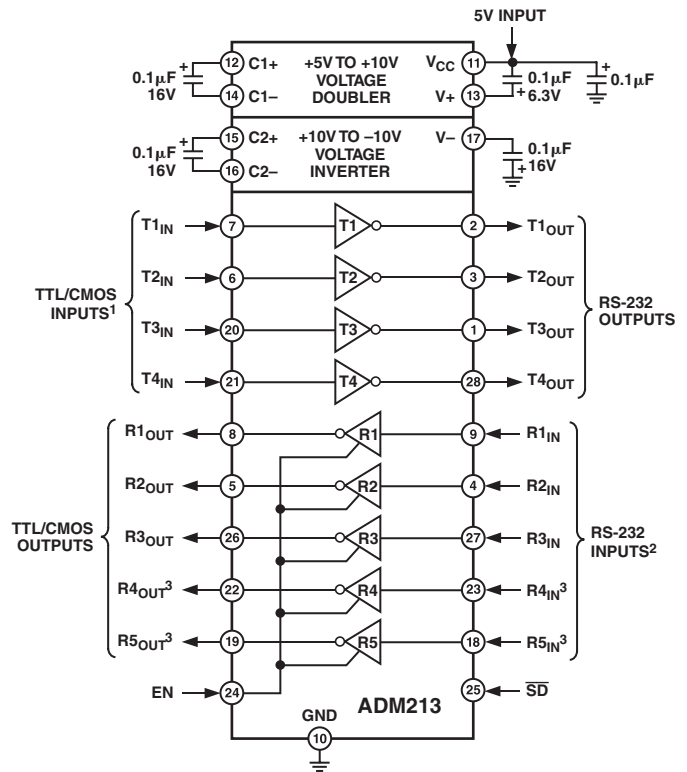
\*ACTIVE IN SHUTDOWN

Figure 11. ADM213 SOIC/SSOP Pin Configuration



NOTES  
<sup>1</sup>INTERNAL 400kΩ PULL-UP RESISTOR ON EACH TTL/CMOS INPUT.  
<sup>2</sup>INTERNAL 5kΩ PULL-DOWN RESISTOR ON EACH RS-232 INPUT.

Figure 10. ADM211 Typical Operating Circuit



NOTES  
<sup>1</sup>INTERNAL 400kΩ PULL-UP RESISTOR ON EACH TTL/CMOS INPUT.  
<sup>2</sup>INTERNAL 5kΩ PULL-DOWN RESISTOR ON EACH RS-232 INPUT.  
<sup>3</sup>ACTIVE IN SHUTDOWN.

Figure 12. ADM213 Typical Operating Circuit

## PIN FUNCTION DESCRIPTIONS

Mnemonic	Function
V <sub>CC</sub>	Power Supply Input 5 V ± 10%
V+	Internally Generated Positive Supply (10 V nominal) on all parts except ADM209. The ADM209 requires an external 9 V to 13.2 V supply.
V-	Internally Generated Negative Supply (-10 V Nominal)
GND	Ground Pin. Must be connected to 0 V.
C+	(ADM209 Only) external capacitor (+ terminal) is connected to this pin.
C-	(ADM209 Only) external capacitor (- terminal) is connected to this pin.
C1+	(ADM206, ADM207, ADM208, ADM211, and ADM213) external capacitor (+ terminal) is connected to this pin.
C1-	(ADM206, ADM207, ADM208, ADM211, and ADM213) external capacitor (- terminal) is connected to this pin.
C2+	(ADM206, ADM207, ADM208, ADM211, and ADM213) external capacitor (+ terminal) is connected to this pin.
C2-	(ADM206, ADM207, ADM208, ADM211, and ADM213) external capacitor (- terminal) is connected to this pin.
T <sub>IN</sub>	Transmitter (driver) Inputs. These inputs accept TTL/CMOS levels. An internal 400 kΩ pull-up resistor to V <sub>CC</sub> is connected on each input.
T <sub>OUT</sub>	Transmitter (driver) Outputs. These are RS-232 levels (typically ± 10 V).
R <sub>IN</sub>	Receiver Inputs. These inputs accept RS-232 signal levels. An internal 5 kΩ pull-down resistor to GND is connected on each input.
R <sub>OUT</sub>	Receiver Outputs. These are TTL/CMOS levels.
$\overline{\text{EN}}/\text{EN}$	Enable Input. Active low on ADM206, ADM209, and ADM211. Active high on ADM213. This input is used to enable/disable the receiver outputs. With $\overline{\text{EN}}$ = Low (EN = High ADM213), the receiver outputs are enabled. With $\overline{\text{EN}}$ = High (EN = Low ADM213), the outputs are placed in a high impedance state. This facility is useful for connecting to microprocessor systems.
$\overline{\text{SD}}/\overline{\text{SD}}$	Shutdown Input. Active high on ADM206 and ADM211. Active low on ADM213. With $\overline{\text{SD}}$ = High on the ADM206 and ADM211, the charge pump is disabled, the receiver outputs are placed in a high impedance state, and the driver outputs are turned OFF. With $\overline{\text{SD}}$ Low on the ADM213, the charge pump is disabled, the driver outputs are turned OFF, and all receivers, except R4 and R5, are placed in a high impedance state. In shutdown, the power consumption reduces to 5 μW.
NC	No Connect. No connections are required to this pin.

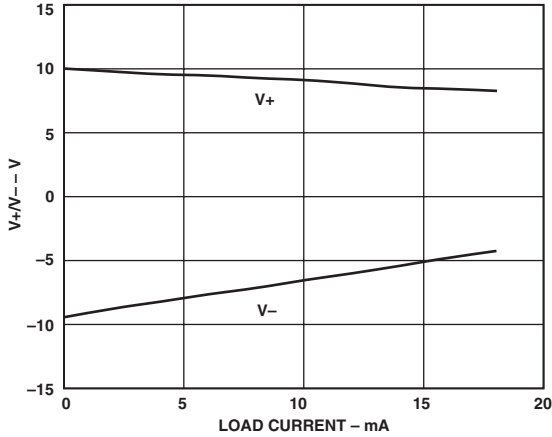
**Table II. ADM206 and ADM211 Truth Table**

SD	$\overline{\text{EN}}$	Status	Transmitters T1–T5	Receivers R1–R5
0	0	Normal Operation	Enabled	Enabled
0	1	Normal Operation	Enabled	Disabled
1	0	Shutdown	Disabled	Disabled

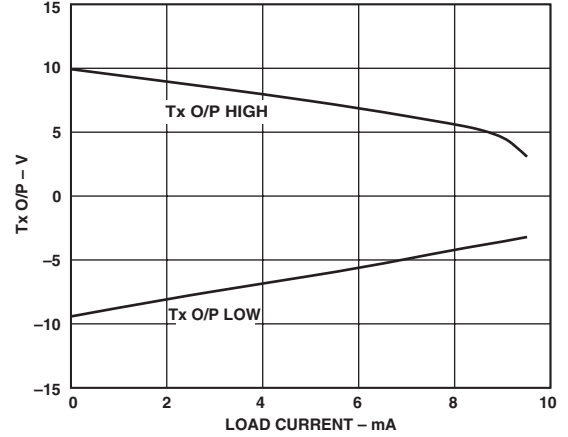
**Table III. ADM213 Truth Table**

$\overline{\text{SD}}$	EN	Status	Transmitters T1–T4	Receivers R1–R3	Receivers R4, R5
0	0	Shutdown	Disabled	Disabled	Disabled
0	1	Shutdown	Disabled	Disabled	Enabled
1	0	Normal Operation	Enabled	Disabled	Disabled
1	1	Normal Operation	Enabled	Enabled	Enabled

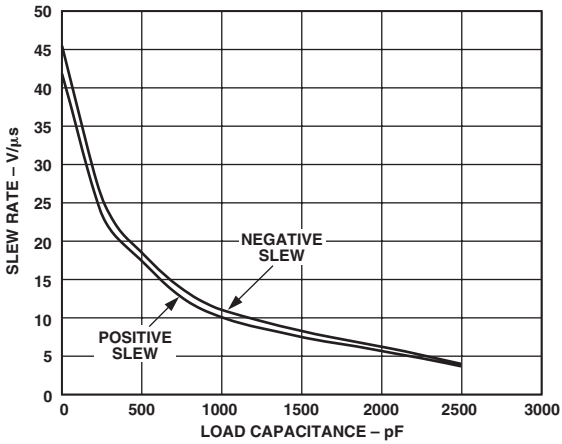
# ADM206-ADM211/ADM213-Typical Performance Characteristics



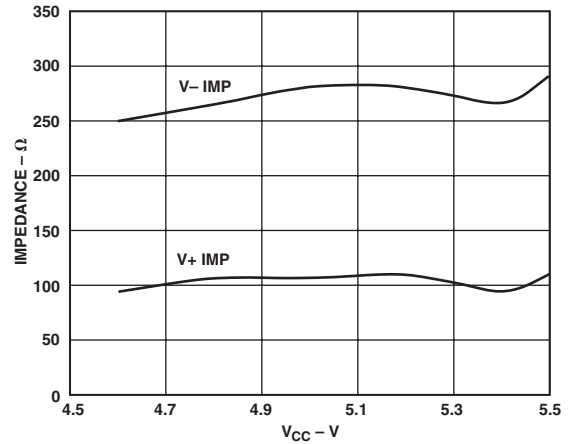
TPC 1. Charge Pump  $V_+$ ,  $V_-$  vs. Load Current



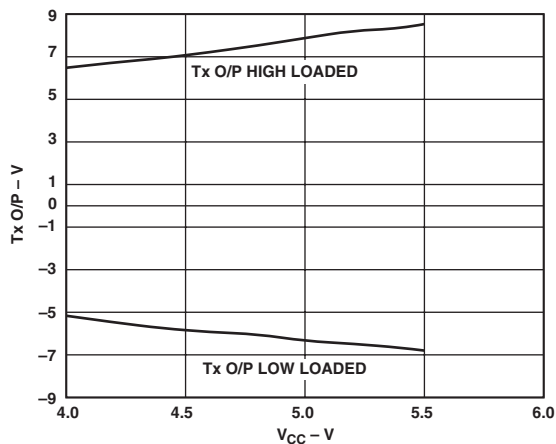
TPC 4. Transmitter Output Voltage vs. Load Current



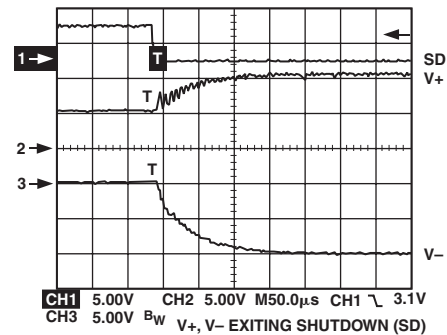
TPC 2. Transmitter Slew Rate vs. Load Capacitance



TPC 5. Charge Pump Impedance vs.  $V_{CC}$

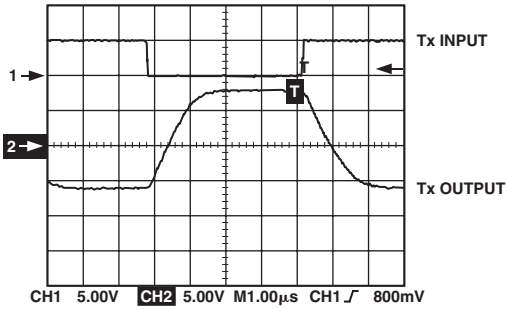


TPC 3. Transmitter Output Voltage vs.  $V_{CC}$

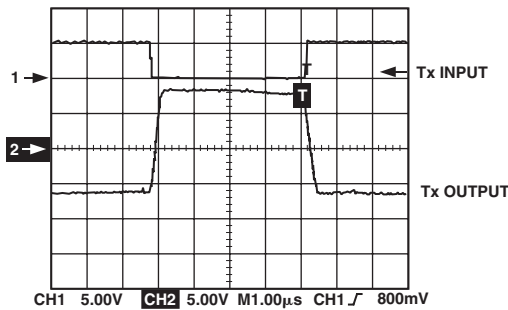


TPC 6. Charge Pump,  $V_+$ ,  $V_-$  Exiting Shutdown (SD)





TPC 7. Transmitter Output Loaded Slew Rate



TPC 8. Transmitter Output Unloaded Slew Rate

## GENERAL INFORMATION

The ADM206–ADM211/ADM213 family of RS-232 drivers/receivers is designed to solve interface problems by meeting the EIA-232-E specifications while using a single digital 5 V supply. The EIA-232-E standard requires transmitters that will deliver  $\pm 5$  V minimum on the transmission channel and receivers that can accept signal levels down to  $\pm 3$  V. The ADM206–ADM211/ADM213 meet these requirements by integrating step-up voltage converters and level shifting transmitters and receivers onto the same chip. CMOS technology is used to keep the power dissipation to an absolute minimum. A comprehensive range of transmitter/receiver combinations is available to cover most communications needs. The ADM206–ADM211/ADM213 are modifications, enhancements, and improvements to the AD230–AD241 family and derivatives thereof. They are essentially plug-in compatible and do not have materially different applications.

The ADM206, ADM211, and ADM213 are particularly useful in battery-powered systems, since they feature a low power shut-down mode that reduces power dissipation to less than  $5 \mu\text{W}$ .

The ADM209 includes only a negative charge pump converter and is intended for applications where a positive 12 V is available.

To facilitate sharing a common line or for connection to a microprocessor data bus, the ADM206, ADM209, ADM211, and ADM213 feature an enable ( $\overline{\text{EN}}$ ) function. When disabled, the receiver outputs are placed in a high impedance state.

## CIRCUIT DESCRIPTION

The internal circuitry in the ADM206–ADM211/ADM213 consists of three main sections. These are:

- A charge pump voltage converter
- RS-232 to TTL/CMOS receivers
- TTL/CMOS to RS-232 transmitters

### Charge Pump DC-to-DC Voltage Converter

The charge pump voltage converter consists of an oscillator and a switching matrix. The converter generates a  $\pm 10$  V supply from the input 5 V level. This is done in two stages using a switched capacitor technique as illustrated in Figures 13 and 14. First, the 5 V input supply is doubled to 10 V using capacitor C1 as the charge storage element. The 10 V level is then inverted to generate  $-10$  V using C2 as the storage element.

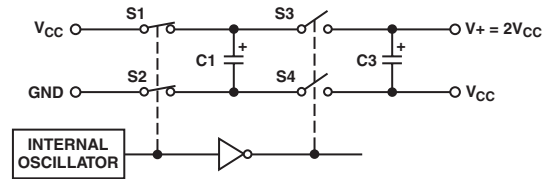


Figure 13. Charge-Pump Voltage Doubler

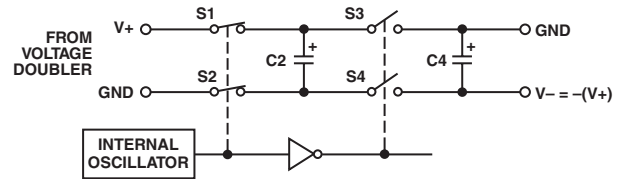


Figure 14. Charge-Pump Voltage Inverter

Capacitors C3 and C4 are used to reduce the output ripple. Their values are not critical and can be reduced if higher levels of ripple are acceptable. The charge pump capacitors C1 and C2 may also be reduced at the expense of higher output impedance on the  $V+$  and  $V-$  supplies.

The  $V+$  and  $V-$  supplies may also be used to power external circuitry if the current requirements are small.

### Transmitter (Driver) Section

The drivers convert TTL/CMOS input levels into EIA-232-E output levels. With  $V_{CC} = 5$  V and driving a typical EIA-232-E load, the output voltage swing is  $\pm 9$  V. Even under worst-case conditions, the drivers are guaranteed to meet the  $\pm 5$  V EIA-232-E minimum requirement.

The input threshold levels are both TTL- and CMOS-compatible with the switching threshold set at  $V_{CC}/4$ . With a nominal  $V_{CC} = 5$  V, the switching threshold is 1.25 V typical. Unused inputs may be left unconnected, since an internal  $400 \text{ k}\Omega$  pull-up resistor pulls them high, forcing the outputs into a low state.

As required by the EIA-232-E standard, the slew rate is limited to less than  $30 \text{ V}/\mu\text{s}$ , without the need for an external slew limiting capacitor, and the output impedance in the power-off state is greater than  $300 \Omega$ .

# ADM206–ADM211/ADM213

## Receiver Section

The receivers are inverting level shifters that accept EIA-232-E input levels ( $\pm 5$  V to  $\pm 15$  V) and translate them into 5 V TTL/CMOS levels. The inputs have internal 5 k $\Omega$  pull-down resistors to ground and are also protected against overvoltages of up to  $\pm 30$  V. The guaranteed switching thresholds are 0.8 V minimum and 2.4 V maximum, which are well within the  $\pm 3$  V EIA-232-E requirement. The low level threshold is deliberately positive, since it ensures that an unconnected input will be interpreted as a low level.

The receivers have Schmitt trigger inputs with a hysteresis level of 0.5 V. This ensures error-free reception for both noisy inputs and for inputs with slow transition times.

## Shutdown (SD)

The ADM206–ADM211/ADM213 feature a control input that may be used to disable the part and reduce the power consumption to less than 5  $\mu$ W. This is very useful in battery-operated systems. During shutdown, the charge pump is turned OFF, the transmitters are disabled, and all receivers, except R4 and R5 on the ADM213, are put into a high impedance disabled state. Receivers R4 and R5 on the ADM213 remain enabled during shutdown. This feature allows monitoring external activity, such as ring indicator monitoring, while the device is in a low power shutdown mode. The shutdown control input is active high on all parts except the ADM213 where it is active low. Refer to Tables II and III.

## Enable Input

The ADM209, ADM211, and ADM213 feature an enable input used to enable or disable the receiver outputs. The enable input is active low on the ADM209 and ADM211 and active high on the ADM213. Refer to Tables II and III. When disabled, all receiver outputs are placed in a high impedance state. This function allows the outputs to be connected directly to a microprocessor data bus. It can also be used to allow receivers from different devices to share a common data line. The timing diagram for the enable function is shown in Figure 15.

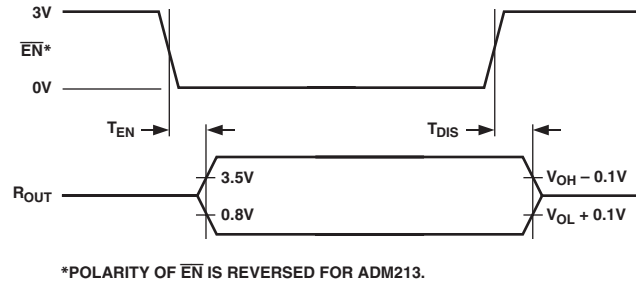


Figure 15. Enable Timing

## APPLICATION HINTS

### Driving Long Cables

In accordance with the EIA-232-E Standard, long cables are permissible provided the total load capacitance does not exceed 2500 pF. For longer cables that do exceed this, it is possible to trade off baud rate versus cable length. Large load capacitances cause a reduction in slew rate, and hence the maximum transmission baud rate is decreased. The ADM206–ADM211/ADM213 are designed so that the slew rate reduction with increasing load capacitance is minimized.

For the receivers, it is important that a high level of noise immunity be inbuilt so that slow rise and fall times do not cause multiple output transitions, since the signal passes slowly through the transition region. The ADM206–ADM211/ADM213 have 0.5 V of hysteresis to guard against this. This ensures that, even in noisy environments, error-free reception can be achieved.

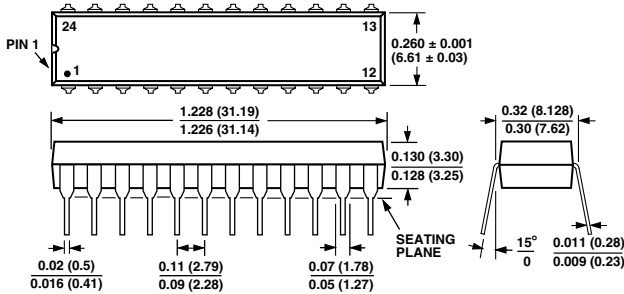
### High Baud Rate Operation

The ADM206–ADM211/ADM213 feature high slew rates, permitting data transmission at rates well in excess of the EIA-232-E specification. The drivers maintain  $\pm 5$  V signal levels at data rates up to 120 kB/s under worst-case loading conditions.

## OUTLINE DIMENSIONS

### 24-Lead Plastic DIP (N-24)

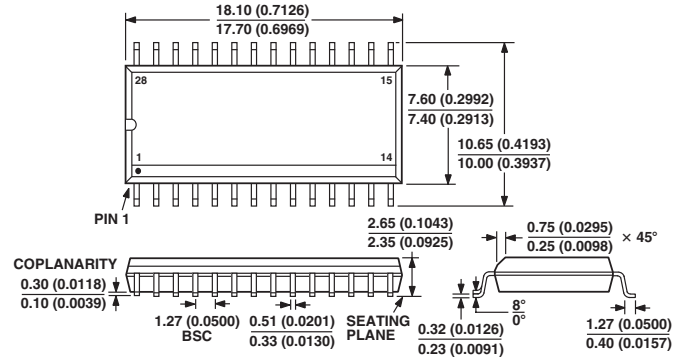
Dimensions shown in inches and (millimeters)



- NOTES  
 1. LEAD NO. 1 IDENTIFIED BY DOT OR NOTCH.  
 2. PLASTIC LEADS WILL BE EITHER SOLDER DIPPED OR TIN PLATED IN ACCORDANCE WITH MIL-M-38510 REQUIREMENTS.

### 28-Lead SOIC (R-28)

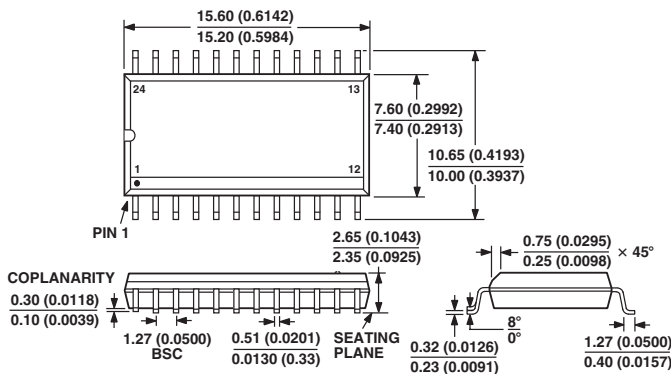
Dimensions shown in millimeters and (inches)



- CONTROLLING DIMENSIONS ARE IN MILLIMETERS; INCH DIMENSIONS (IN PARENTHESES) ARE ROUNDED-OFF MILLIMETER EQUIVALENTS FOR REFERENCE ONLY AND ARE NOT APPROPRIATE FOR USE IN DESIGN  
 COMPLIANT TO JEDEC STANDARDS MS-013 AE

### 24-Lead SOIC (R-24)

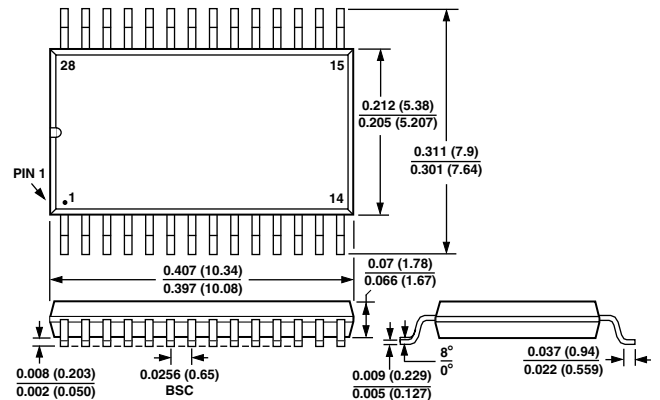
Dimensions shown in millimeters and (inches)



- CONTROLLING DIMENSIONS ARE IN MILLIMETERS; INCH DIMENSIONS (IN PARENTHESES) ARE ROUNDED-OFF MILLIMETER EQUIVALENTS FOR REFERENCE ONLY AND ARE NOT APPROPRIATE FOR USE IN DESIGN  
 COMPLIANT TO JEDEC STANDARDS MS-013 AD

### 28-Lead SSOP (RS-28)

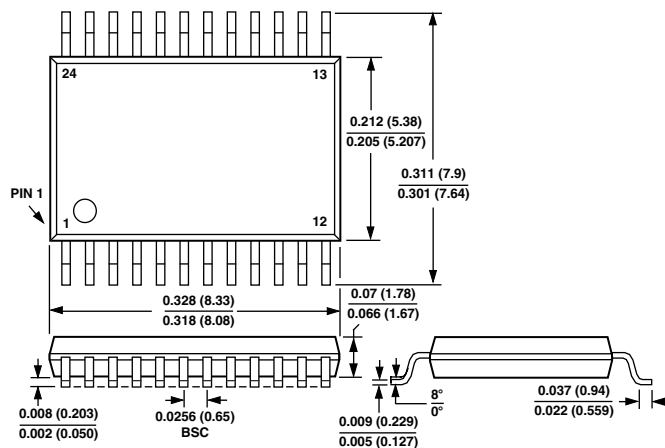
Dimensions shown in inches and (millimeters)



- NOTES  
 1. LEAD NO. 1 IDENTIFIED BY A DOT.  
 2. LEADS WILL BE EITHER TIN PLATED OR SOLDER DIPPED IN ACCORDANCE WITH MIL-M-38510 REQUIREMENTS.

### 24-Lead SSOP (RS-24)

Dimensions shown in inches and (millimeters)



- NOTES  
 1. LEAD NO. 1 IDENTIFIED BY A DOT.  
 2. LEADS WILL BE EITHER TIN PLATED OR SOLDER DIPPED IN ACCORDANCE WITH MIL-M-38510 REQUIREMENTS.

# ADM206–ADM211/ADM213

## Revision History

<b>Location</b>	<b>Page</b>
<b>3/02—Data Sheet changed from REV. 0 to REV. A.</b>	
Changes to numbers in Min/Typ/Max column of Specifications page .....	2
Updated Figures .....	8, 9
<b>6/02—Data Sheet changed from REV. A to REV. B.</b>	
Removed all references to ADM205 .....	Universal

C00067–0–6/02(B)

PRINTED IN U.S.A.