

PLEASE CHECK WWW.MOLEX.COM FOR LATEST PART INFORMATION

Part Number: [0019091026](#)
Status: **Active**
Overview: [standard_093](#)
Description: 2.36mm (.093") Diameter Standard .093" Pin and Socket Receptacle Housing With Positive Latch, UL 94V-0, 2 Circuits

Documents:

3D Model	Product Specification PS-42477 (PDF)
Packaging Specification (PDF)	RoHS Certificate of Compliance (PDF)
Drawing (PDF)	

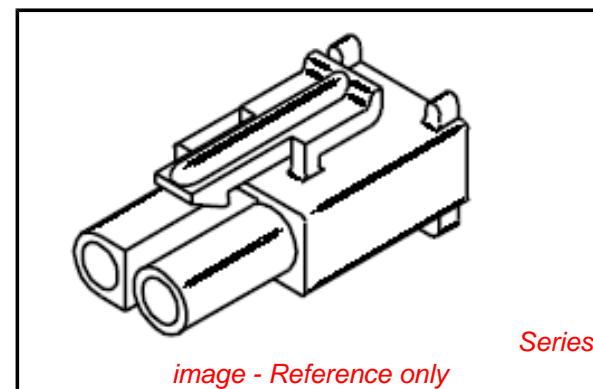


image - Reference only

Agency Certification

CSA	LR19980
TUV	R72081037
UL	E29179

General

Product Family	Crimp Housings
Series	3191
Comments	Polarized to Mating Part, Without Mounting Ears
Overview	standard_093
Product Name	Standard .093"

Physical

Breakaway	No
Circuits (maximum)	2
Color - Resin	Natural
Flammability	94V-0
Gender	Dual
Glow-Wire Compliant	No
Keying to Mating Part	None
Lock to Mating Part	Yes
Material - Resin	Nylon
Number of Rows	1
Packaging Type	Bag
Panel Mount	No
Pitch - Mating Interface (in)	0.264 In
Pitch - Mating Interface (mm)	6.71 mm
Polarized to Mating Part	Yes
Stackable	No
Temperature Range - Operating	-40°C to +105°C

Electrical

Current - Maximum per Contact	12A
-------------------------------	-----

Material Info

Old Part Number	3191-2R1-201
-----------------	--------------

Reference - Drawing Numbers

Product Specification	PS-42477
Sales Drawing	SD-3191-2*

EU RoHS

ELV and RoHS Compliant
REACH SVHC
 Not Reviewed
Halogen-Free Status

China RoHS



Need more information on product environmental compliance?

Email productcompliance@molex.com
 For a multiple part number RoHS Certificate of Compliance, [click here](#)

Please visit the [Contact Us](#) section for any non-product compliance questions.

Search Parts in this Series

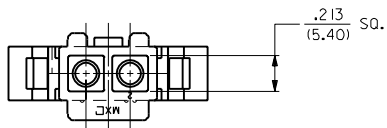
[3191Series](#)

Mates With

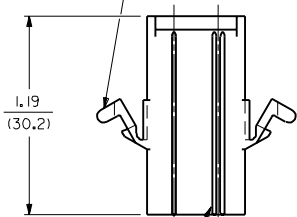
[3191](#) Pin and Socket Plug, [5219](#) Vertical PCB Header

Use With

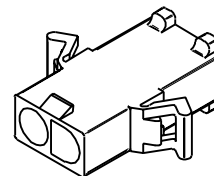
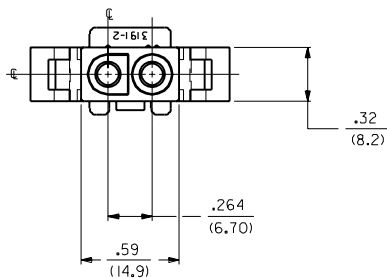
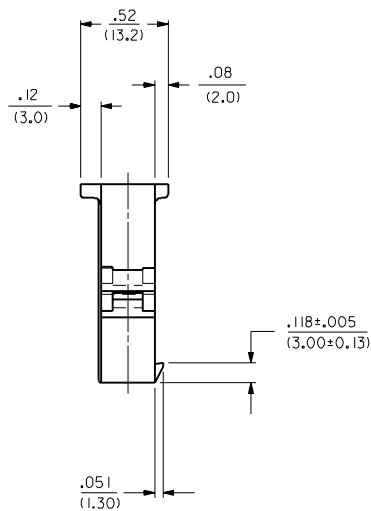
[1189](#) Crimp Terminals, [1190](#) Crimp Terminals, [1380](#) Male Crimp Terminals, [1381](#) Female Crimp Terminals, [1433](#) Crimp Terminals, [1434](#) Male Crimp Terminals, [2605](#) , [2606](#) , [1973](#) , [2151](#) , [2273](#) , [2870](#) , [2871](#) , [4272](#) , Lin



PREBENT MOUNTING EAR
(WHEN SPECIFIED)



CIRCUIT NUMBER
IDENTIFICATION RIBS



PLUG

3	E2	
2	D	
1	E4	
<input checked="" type="checkbox"/>	SH.	REV. LTR. REVISIONS

REVISE ONLY ON CAD SYSTEM

DIMENSIONS SHOWN METRIC (INCH) $\nabla = 0$ $\blacktriangledown = 0$

UNLESS OTHERWISE SPECIFIED TOLERANCES: ANGULAR $\pm .001$ TO

INCH	METRIC
3 PLACE $\pm .010$	---
2 PLACE $\pm .014$	± 0.25
1 PLACE ---	± 0.35

DRAFT WHERE APPLICABLE MUST REMAIN WITHIN DIMENSIONS

TITLE: **.093/(2.36) HOUSING, PLUG AND RECEPTACLE, 2 CKT $\pm .264/(6.70)$ CTRS.**

PART NO. **MOLEX INCORPORATED** SHEET NO. **1** OF **3** DATE **11/21/88**

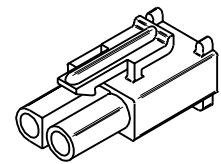
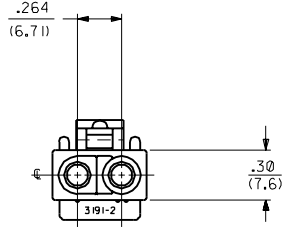
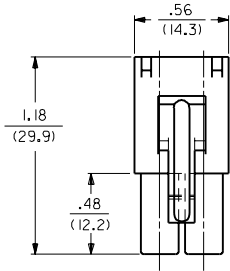
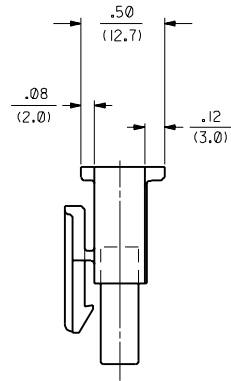
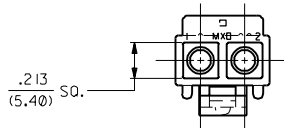
FILE NAME: **531912X1.DWG** U.S.A. **60532**

DRAWN BY: **CEP** CHK'D BY: **RW** **SEE CHART** DRWG. NO. **SD-3191-2***

APP'D BY: **RAS** SCALE: **2 : 1** DIV. **CP** SIZE **C**

THIS DRAWING CONTAINS INFORMATION THAT IS PROPRIETARY TO MOLEX INC. AND SHOULD NOT BE USED WITHOUT WRITTEN PERMISSION.

E4	REVISED UCR 98-0148 WANG 98-04-15
E3	ADD RAMP DIM'S ECN #U4 0293 3-1-94 RW
E2	X-REMOVE ECR U3 0001 GC 12/30/92 RW
E1	REL. RED VERSIONS ECR U1 2167 GC 1/24/92 RW
E	REV. MATL. CODE ECR # U90901 KBW 01-25-89 RW
D	REV. & REDRAWN ECR UB 1858 GEP 11-21-88 RW



RECEPTACLE

DIMENSIONS SHOWN METRIC (INCH)		REVISIONS	
UNLESS OTHERWISE SPECIFIED TOLERANCES: ANGULAR ± .005° TO		D	
INCH METRIC		SEE SHT. 1	
3 PLACE ± .010	---	LTR.	REVISIONS
2 PLACE ± .014	± 0.25	LTR.	REVISIONS
1 PLACE ---	± 0.35	LTR.	REVISIONS
DRAFT WHERE APPLICABLE MUST REMAIN WITHIN DIMENSIONS		LTR.	
DRAWN: GEP		DATE: 11/21/88	
BY: RAS		SCALE: 2:1	
CHECKED: RW		PART NO. SD-3191-2*	
SCALE: 2:1		DRWG. NO.	
FILE NAME: 531912X2		SHEET NO. 2	
THIS DRAWING CONTAINS INFORMATION THAT IS PROPRIETARY TO MOLEX INC. AND SHOULD NOT BE USED WITHOUT WRITTEN PERMISSION.		DATE: 11/21/88	
MOLEX INCORPORATED		DIV. CP	
LITSEJLL 60532 U.S.A.		SIZE	

