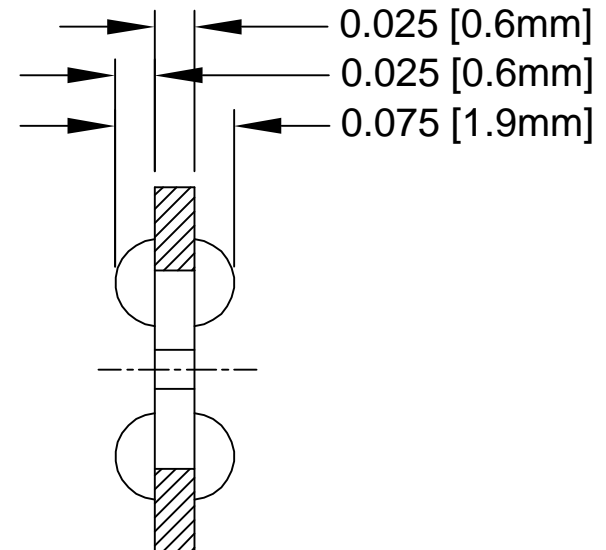
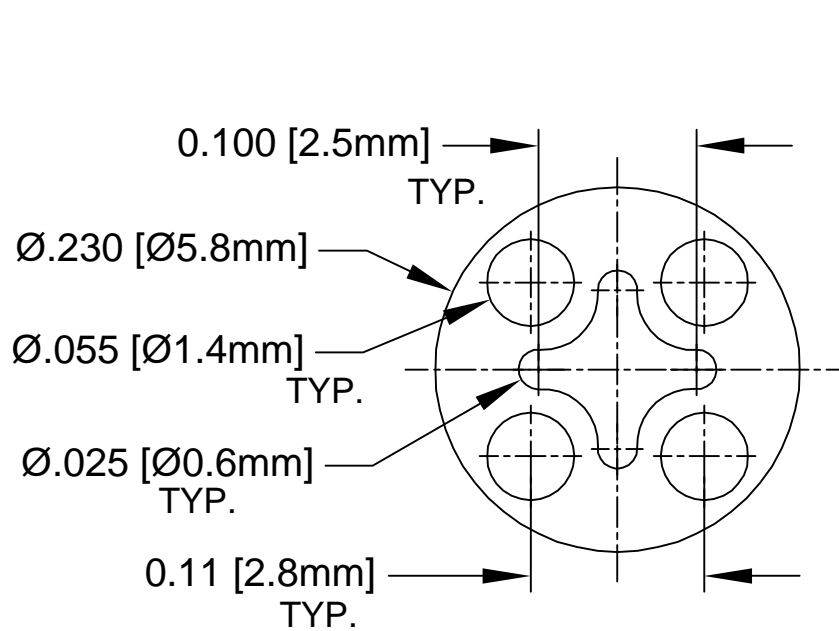

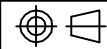


REV.	DESCRIPTION	DATE	APPROVED
A	Engineering Update w/o Changes	02/16/04	M. C.



3. MATERIAL: NYLON 6/6, 94V-2, NATURAL. BIVAR MATERIAL CODE 21-NL.  
TICONA NYLON 1310, NYLON 6/6, NATURAL.
2. MATERIAL: NYLON 6/6, 94V-2, WHITE. BIVAR MATERIAL CODE 04-WE.  
BASF ULTRAMID NYLON 6/6 A3K WHITE.
1. GENERAL SPECIFICATIONS: BIVAR MOLDED COMPONENT SPECIFICATION BV00-E101.

STANDARD TOLERANCE (UNLESS OTHERWISE SPECIFIED)		 4 THOMAS, IRVINE, CA. 92618 TEL: (949) 951-8808 FAX: (949) 951-3974		
DECIMALS	ANGULAR			
.X ± .1	X° ± 1°			
.XX ± .01				
.XXX ± .005		DESIGNED: <b>Shane Irving</b>	DATE: <b>06/18/98</b>	TITLE: PERM-O-PAD TO-18 MOUNT
CHECKED: <b>D. Green</b>		DATE: <b>02/16/04</b>	PART NO: <b>125-080</b>	REVISION: <b>A</b>
		CAGE CODE : <b>32559</b>	SHEET # <b>1 OF 1</b>	
CAD GENERATED DOCUMENT, DO NOT MEASURE DRAWING.				