

GaAs Transfer Switch DC - 3 GHz

SW-283

V3.00

Features

- Small Ceramic Package, 0.250" Sq
- Fast Switching Speed, 4 ns Typical
- Ultra Low DC Power Consumption

Guaranteed Specifications* (From -55°C to +85°C)

Frequency Range	DC - 3 GHz
Insertion Loss	DC-3 GHz 2.1 dB Max DC-2 GHz 1.8 dB Max DC-1 GHz 1.3 dB Max DC-0.5 GHz 1.0 dB Max
VSWR	DC-3 GHz 1.9:1 Max DC-2 GHz 1.7:1 Max DC-1 GHz 1.3:1 Max DC-0.5 GHz 1.25:1 Max
Isolation	DC-3 GHz 20 dB Min DC-2 GHz 25 dB Min DC-1 GHz 40 dB Min DC-0.5 GHz 45 dB Min

Operating Characteristics

Impedance 50 Ohms Nominal

Switching Characteristics†

t_{rise}, t_{fall} (10/90% or 90/10% RF)	2 ns Typ
t_{on}, t_{off} (50% control to 90/10% RF)	4 ns Typ
Transients (In-Band)	30 mV Typ

Input Power for 1 dB Compression

Control Voltages (Vdc)	0/-5	0/-8	
0.5-3 GHz	+27	+33	dBm Typ
0.05 GHz	+21	+26	dBm Typ

Intermodulation Intercept Point

(for two-tone input power up to +5 dBm)

Intercept Points	IP ₂	IP ₃	
0.5-3 GHz	+68	+50	dBm Typ
0.05 GHz	+62	+45	dBm Typ

Control Voltages (Complementary Logic)

V _{IN} Low	0 to -0.2V @ 5 μA Max
V _{IN} Hi	-5V @ 10 μA Typ to -8V @ 200 μA Max

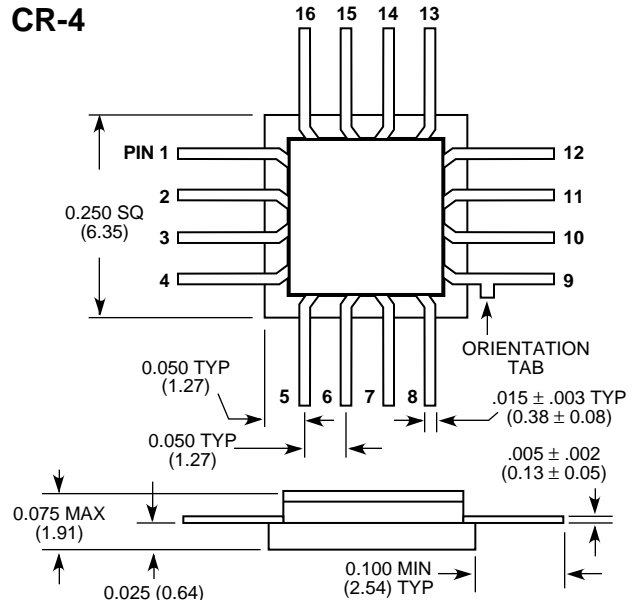
Environmental

MIL-STD-883 screening available.

* All specifications apply with 50 ohm impedance connected to all RF ports with 0 and -5 Vdc control voltages.

† Faster switching speed can be achieved with enhanced driver waveform.

CR-4



Bottom of case is AC ground.

Dimensions in () are in mm.

Unless Otherwise Noted: .xxx = ±0.010 (.xx = ±0.25)
.xx = ±0.02 (.x = ±0.5)

Ordering Information

Model No.	Package
SW-283 PIN	Ceramic

Specifications Subject to Change Without Notice.

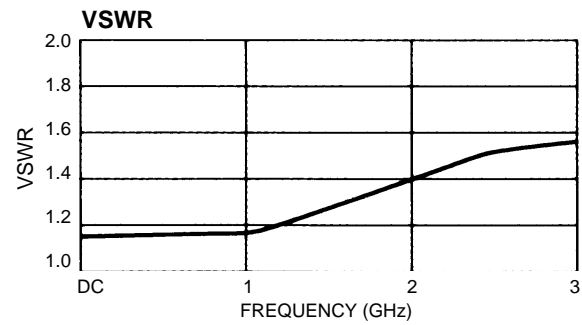
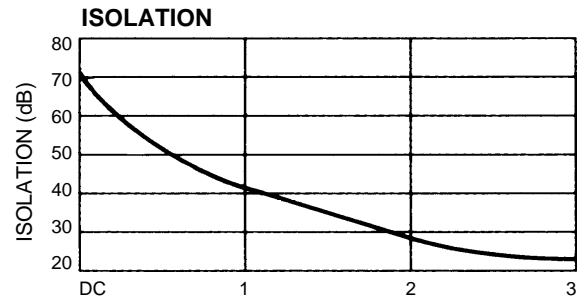
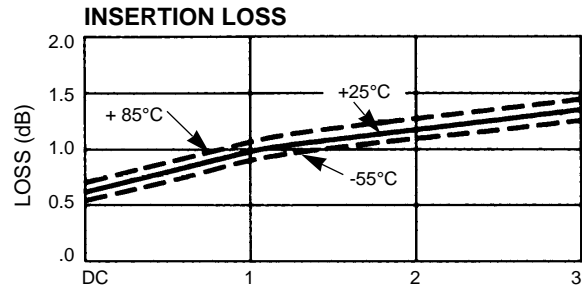
M/A-COM, Inc.

North America: Tel. (800) 366-2266
Fax (800) 618-8883

■ Asia/Pacific: Tel. +81 (03) 3226-1671
Fax +81 (03) 3226-1451

■ Europe: Tel. +44 (1344) 869 595
Fax +44 (1344) 300 020

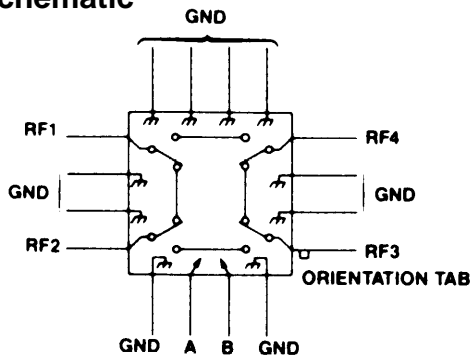
Typical Performance



Truth Table

Control Input		Condition of Switch			
A	B	RF1-RF2	RF2-RF3	RF1-RF4	RF3-RF4
Hi	Low	OFF	ON	ON	OFF
Low	Hi	ON	OFF	OFF	ON

Schematic



Specifications Subject to Change Without Notice.