



## STEVAL-TLL006V1

High-power LED driver demonstration board for single flash with I<sup>2</sup>C interface based on the STCF06

Data brief

### Features

- Buck-boost DC-DC converter
- Drives one power LED up to:
  - 1.5 A between 3.5 V to 5.5 V
  - 1.3 A between 3.0 V to 5.5 V
  - 1 A between 2.7 V to 5.5 V
- Efficiency up to 85%
- LED current control
- 1.8 MHz fixed frequency PWM
- Full I<sup>2</sup>C control
- Motherboard based on  $\mu$ PSD used as USB bridge
- RoHS compliant



### Description

This demonstration board implements a flash LED driver using the STCF06 device, which is a buck-boost current mode converter with an I<sup>2</sup>C interface.

The flash LED driver STCF06 has a high operating frequency (1.8 MHz) which allows the usage of small external components.

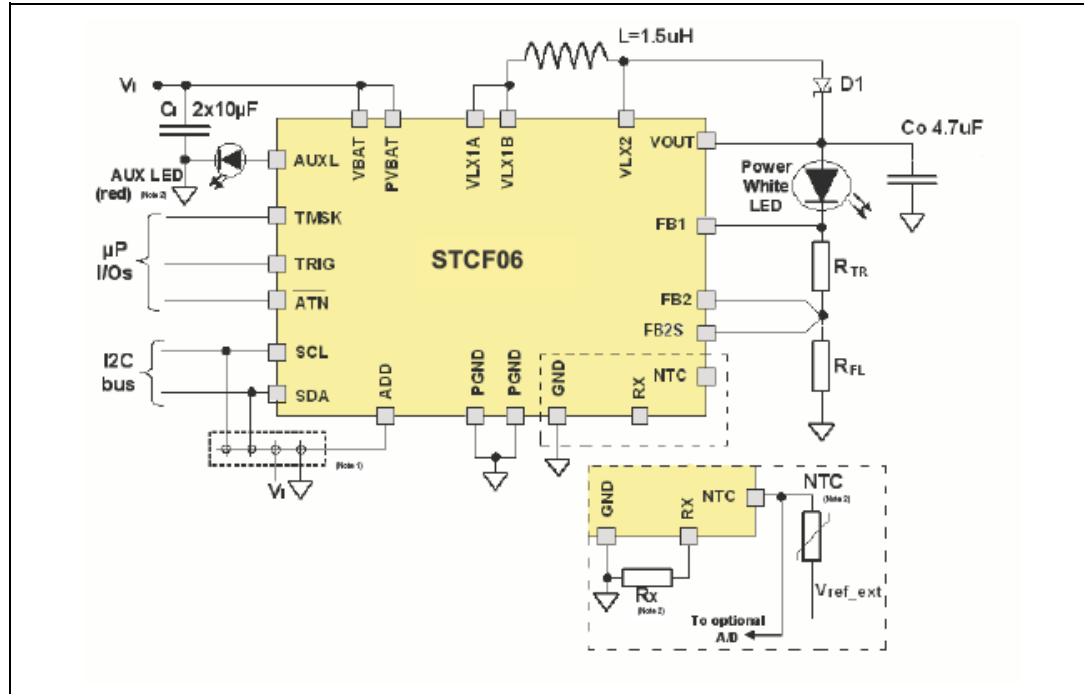
The demonstration board is designed for driving a single LED with a forward voltage range from 2.7 to 5 V.

For easy connection to a PC, the STEVAL-TLL006V1 uses a  $\mu$ PSD-based motherboard used as a bridge.

The STCF06 motherboard uses an USB human interface device to communicate with the PC. It is not necessary to install a driver, if the operating system in use is capable of enumerating USB human interface devices.

# 1 Circuit schematic

Figure 1. Typical application schematic



## 2 Revision history

**Table 1. Document revision history**

Date	Revision	Changes
20-May-2009	1	Initial release.

**Please Read Carefully:**

Information in this document is provided solely in connection with ST products. STMicroelectronics NV and its subsidiaries ("ST") reserve the right to make changes, corrections, modifications or improvements, to this document, and the products and services described herein at any time, without notice.

All ST products are sold pursuant to ST's terms and conditions of sale.

Purchasers are solely responsible for the choice, selection and use of the ST products and services described herein, and ST assumes no liability whatsoever relating to the choice, selection or use of the ST products and services described herein.

No license, express or implied, by estoppel or otherwise, to any intellectual property rights is granted under this document. If any part of this document refers to any third party products or services it shall not be deemed a license grant by ST for the use of such third party products or services, or any intellectual property contained therein or considered as a warranty covering the use in any manner whatsoever of such third party products or services or any intellectual property contained therein.

**UNLESS OTHERWISE SET FORTH IN ST'S TERMS AND CONDITIONS OF SALE ST DISCLAIMS ANY EXPRESS OR IMPLIED WARRANTY WITH RESPECT TO THE USE AND/OR SALE OF ST PRODUCTS INCLUDING WITHOUT LIMITATION IMPLIED WARRANTIES OF MERCHANTABILITY, FITNESS FOR A PARTICULAR PURPOSE (AND THEIR EQUIVALENTS UNDER THE LAWS OF ANY JURISDICTION), OR INFRINGEMENT OF ANY PATENT, COPYRIGHT OR OTHER INTELLECTUAL PROPERTY RIGHT.**

**UNLESS EXPRESSLY APPROVED IN WRITING BY AN AUTHORIZED ST REPRESENTATIVE, ST PRODUCTS ARE NOT RECOMMENDED, AUTHORIZED OR WARRANTED FOR USE IN MILITARY, AIR CRAFT, SPACE, LIFE SAVING, OR LIFE SUSTAINING APPLICATIONS, NOR IN PRODUCTS OR SYSTEMS WHERE FAILURE OR MALFUNCTION MAY RESULT IN PERSONAL INJURY, DEATH, OR SEVERE PROPERTY OR ENVIRONMENTAL DAMAGE. ST PRODUCTS WHICH ARE NOT SPECIFIED AS "AUTOMOTIVE GRADE" MAY ONLY BE USED IN AUTOMOTIVE APPLICATIONS AT USER'S OWN RISK.**

Resale of ST products with provisions different from the statements and/or technical features set forth in this document shall immediately void any warranty granted by ST for the ST product or service described herein and shall not create or extend in any manner whatsoever, any liability of ST.

ST and the ST logo are trademarks or registered trademarks of ST in various countries.

Information in this document supersedes and replaces all information previously supplied.

The ST logo is a registered trademark of STMicroelectronics. All other names are the property of their respective owners.

© 2009 STMicroelectronics - All rights reserved

STMicroelectronics group of companies

Australia - Belgium - Brazil - Canada - China - Czech Republic - Finland - France - Germany - Hong Kong - India - Israel - Italy - Japan - Malaysia - Malta - Morocco - Philippines - Singapore - Spain - Sweden - Switzerland - United Kingdom - United States of America

[www.st.com](http://www.st.com)