

LA76818 Application Note

Ver.e1(2002.1.22)

Table of Contents

TABLE OF CONTENTS.....	1
THE BUS CONTROL FUNCTIONS OF LA76818 (TENTATIVE).....	2
STATUE REGISTER OF LA76818.....	15
PIN 2 (FM OUTPUT).....	16
PIN 3 (IF AGC FILTER).....	17
PIN 4 (RF AGC OUTPUT).....	18
PIN 5,6 (PIF AMP INPUT).....	19
PIN 7 (IF GROUND).....	20
PIN 8 (IF VCC).....	20
PIN 9 (FM FILTER).....	20
PIN 10 (AFT OUTPUT).....	21
PIN 11 (BUS DATA).....	21
PIN 12 (BUS CLOCK).....	22
PIN 13(ABL).....	22
PIN 14, 15, 16 (R, G, B INPUT).....	23
PIN 17(FAST BLANKING INPUT).....	23
PIN 18(RGB VCC).....	24
PIN 19, PIN 20, PIN 21(R, G, B OUTPUT).....	25
PIN 22(FSC OUTPUT OR C-SYNC. OUTPUT).....	26
PIN 23 (VERTICAL OUTPUT).....	26
PIN 24 (V RAMP ALC FILTER).....	27
PIN 25 (HORIZONTAL / BUS VCC).....	28
PIN 26(AFC FILTER).....	28
PIN 27 (HORIZONTAL OUTPUT).....	29
PIN 28 (FBP INPUT).....	30
PIN29 (I REFERENCE).....	31
PIN 30 (4MHZ CLOCK OUTPUT).....	32
PIN 31(CCD VCC).....	32
PIN 32(CCD FILTER).....	33
PIN 33(CCD & DEFLECTION GDN).....	33
PIN 34,35 (SECAM INPUT OR CbCr INPUT).....	33
PIN 36 (CHROMA APC2 FILTER).....	34
PIN 37(CLAMP FILTER).....	34
PIN 38(4.43MHZ CRYSTAL).....	34
PIN 39(CHROME APC1 FILTER).....	35
PIN 40(SELECTED VIDEO OUTPUT).....	35
PIN 41(VIDEO CHROME DEFLECTION GND).....	35
PIN 42(EXT VIDEO INPUT & Y INPUT IN S-VHS MODE).....	36
PIN 43(VIDEO CHROME DEFLECTION VCC).....	36
PIN 44(INT. VIDEO INPUT & CHROME SIGNAL INPUT IN S-VHS MODE).....	36
PIN 45(BLACK STRETCH FILTER).....	37
PIN 46 (VIDEO OUTPUT).....	37
PIN 47 (VCO FILTER).....	38
PIN 48, 49 (VCO COIL).....	38
PIN 50 (PIF APC FILTER).....	39
PIN 51 (EXT AUDIO INPUT).....	40
PIN 52 (SIF OUTPUT).....	40
PIN 53 (SND APC FILTER).....	41
PIN 54 (SIF INPUT).....	41
LA76818 PIN ASSIGNMENT.....	42
LA76818 BUS CONTROL RESISTOR BIT ALLOCATION MAP.....	43

www.DataSheet4U.com

The BUS Control Functions of LA76818 (Tentative)

Register Name	Bits	General Description
T Disable	1 bits	Disable the Test SW & enable Audio / Video Mute SW

This is a Test Mode Switch, which is used in IC production (in case of using IC tester for measuring).

*If the bit of BUS is set as '0', it becomes Test Mode. Then the test functions below will take active.

- Vertical Test
- E/W Test
- Tint Test
- Color Test
- Drive Test
- Contrast Test

Also, audio / video is muted forcibly.

*Usually, this bit is set as '1' when the television is operating normally.

AFC Gain & gate	1	Select horizontal first loop gain & H-sync gating on/off
-----------------	---	--

This function is used for keeping the stability of H sync. signal when there is no input signal or when a special VCR signal (VCR AGC Micro-vision) is input.

0 = Automatic mode

There is a gate signal for 1st AFC gain control and sync signal to protect them from variety special signals and guarantee the stability of horizontal output in all our products before. The level of the gain control can only be set as HIGH, MIDDLE & LOW.

When "no input signal" (conditions are: no V sync and 'H LOCK' is unlocked) is detected, "LOW" mode will be set to keep the horizontal deflection stable so that the H & V position of OSD will not be interrupted.

In addition, the improved operation of gain control and gating control in this IC contribute to stabilize horizontal output of VCR signal in automatic mode.

1 = Enforce High Gain Mode (Gain = High, Gate = Non gate)

This mode is prior to pull-in operation, that's why the stability is comparative weak.

This mode is used when tuning or some unexpected conditions.

H Freq.	6	Align ES Sample horizontal frequency (MP is adjusted in the wafer line.)
---------	---	--

Adjustment has done for mass production products. Although it's no need any adjustment at TV production line, set the register as "111111". (But it needs adjustment at engineering sample stage).

V Reset Timing	1	Select Vertical Reset Timing
----------------	---	------------------------------

Select Vertical output start timing.

0 = Normal

1 =0.25H shifted

Audio Mute	1	Disable audio outputs
------------	---	-----------------------

Mute the audio output.

0 = Mute OFF

1 = Mute ON

Video Mute	1	Disable video outputs
------------	---	-----------------------

Mute the RGB output. (The blanking output level of RGB is about 1.6Vdc)

0 = Mute OFF

1 = Mute ON

www.DataSheet4U.com

H PHASE	5	Align sync to flyback phase
---------	---	-----------------------------

Adjust the center of H.

Sync Kill	1	Force free-run mode
-----------	---	---------------------

Whatever there is a synchronization signal or not, the frequency of horizontal oscillator is in free-run situation. Set this function in active if “no signal” is detected by CPU, then the rolling of OSD can almost be reduced.

0 = TV operating mode

1 = Sync Kill mode

Vertical Size	7	Align vertical amplitude
---------------	---	--------------------------

Adjust the size of V.

V-sync Separation Up	1	Select vertical sync. separation sensitivity
----------------------	---	--

Improved the sensitivity of the vertical separation circuit.

0 = Normal mode

1 = Sensitivity up mode

Vertical Kill	1	Disable vertical output
---------------	---	-------------------------

Defeat the vertical output. Please use this function when adjust RGB Bias.。

0 = TV operation mode

1 = Defeat the vertical output

V POSI (Vertical DC)	6	Align vertical DC bias
------------------------	---	------------------------

Adjust the position of V

V LIN (Vertical Linearity)	5	Align vertical linearity
---------------------------------	---	--------------------------

Compensation for vertical linearity

Vertical S-Correction	5	Align vertical S-correction
-----------------------	---	-----------------------------

Compensation for vertical S characteristic.

H BLK L	3	Left H-Blanking Control (Width/Phase)
---------	---	---

The blanking of the left side of screen can be adjusted

*The design of FBP input circuit become simple because of the blanking of screen can be adjusted independently).

H.BLK R	3	Right H-Blanking Control (Width/Phase)
---------	---	--

The blanking of the right side of screen can be adjusted

*The design of FBP input circuit become simple because of the blanking of screen can be adjusted independently).

www.DataSheet4U.com

V.TEST	2	Select vertical DAC test mode
--------	---	-------------------------------

Vertical test mode

01 ~ 11:Test mode

00:Nomal mode

V.COMP	3	Align vertical size compensation
--------	---	----------------------------------

Compensate vertical size due to the variation of contrast.

Count Down Mode	3	Select vertical countdown mode
-----------------	---	--------------------------------

This function is used to switch 50Hz/60Hz mode and standard/non-standard mode of countdown circuit.

* Switch for standard/non-standard mode

0** : Automatic discriminate standard/non-standard mode

1** : Non-standard mode

Standard mode:

Using the dividing pulse of V countdown to reset the countdown circuit. A stable synchronization signal can be achieved because it is not interfered by the external vertical trigger. It becomes standard mode if it is synchronize with the standard signal(262.5H or 312.5H).

Non-standard mode:

Using external vertical trigger to reset countdown circuit. In this case, the stability of the sync signal is depended on external signal. This mode is used when the sync signal cannot achieved or the frequency of sync signal is not 262.5H or 312.5H.

*Switch for 50/60 mode

00 : Automatic discriminate 50Hz/60Hz mode

01 : 50Hz mode

10 : 60Hz mode

11 : 50/60Hz automatic discriminate mode

60Hz mode : Vertical trigger is accepted during 225H ~ 297H

50Hz mode : Vertical trigger is accepted during 288H ~ 357H

50Hz/60Hz automatic discriminate mode : 50Hz/60Hz mode is selected automatically.

Red Bias	8	Align Red OUT DC level
Green Bias	8	Align Green OUT DC level
Blue Bias	8	Align Blue OUT DC level

Adjust the DC (cutoff) level of RGB.

Red Drive	7	Align Red OUT AC level
Green Drive	4	Align Green OUT AC level
Blue Drive	7	Align Blue OUT AC level

Adjust the output gain of RGB.

RGB Test4	1	Enable RGB test mode
-----------	---	----------------------

RGB control test mode

1:Test mode.

0:Nomal mode

Drive Test mode	1	Enable Drive test mode
-----------------	---	------------------------

Drive control test mode

1:Test mode.

0:Nomal mode

Half Tone	2	Adjust half tone level
-----------	---	------------------------

Adjust the half tone level

Half Tone Defeat	1	Half tone ON/OFF SW
------------------	---	---------------------

0 = Half tone ON

1 = Half tone OFF

A2.SW	1	West germany stereo mode
-------	---	--------------------------

West germany stereo mode select

1:W-G stereo mode.(need SIF system set=1)

0:Nomal mode

Blank Defeat	1	Disable RGB output blanking
--------------	---	-----------------------------

Switch ON/OFF the H/V blanking of RGB output.

0 = blanking ON (Normally mode)

1 = blanking off

A.MONI.SW	1	Select 2pin output SAO at External audio input.
-----------	---	---

Select 2pin output.

0:Normal mode (de-empasis FM-Detector).

1:SAO mode at External audio input mode.

S.TRAP.SW	1	Select sound trap ON/OFF.
-----------	---	---------------------------

Select sound trap ON/OFF.

0:Nomal mode.(Sound trap ON)

1:Sound trap OFF mode.(need external trap)

Sub Bias (sub-bright)	7	Align common RGB DC level
-----------------------	---	---------------------------

Sub-adjust the DC level of RGB output.

Even the setting of the RGB drive are different, the variation of the DC level of RGB output can be adjusted to be same by this function.

Brightness Control	7	Customer brightness control
--------------------	---	-----------------------------

Control brightness.

Contrast Control	7	Customer contrast control
------------------	---	---------------------------

Control contrast

OSD Cnt.Test	1	OSD contrast control DAC test mode
--------------	---	------------------------------------

0:normal mode.

1:OSD contrast test mode.

OSD Contrast Control	7	Align OSD AC level
----------------------	---	--------------------

Adjust the gain of OSD signal.

Coring Gain Select	2	Select Coring Gain
--------------------	---	--------------------

Select Coring Gain.

00= Coring OFF

01= Coring Gain1(minimum)

11= Coring Gain2(maximum)

Sharpness Control	6	Customer sharpness control
-------------------	---	----------------------------

Control sharpness

Tint Test	1	Enable tint DAC test mode
-----------	---	---------------------------

Tint control Test mode.

1:Test mode

0:Nomal mode

Tint Control	7	Customer tint control
--------------	---	-----------------------

Control tint (operate only in NTSC system)

Color Test	1	Enable color DAC test mode
------------	---	----------------------------

Color control Test mode.

1:Test mode

0:Nomal mode

Color Control	7	Customer color control
---------------	---	------------------------

Control color

Video SW	1	Video signal selector
----------	---	-----------------------

The switch of Int./Ext. video input

- 0 = Internal
- 1 = External

Trap Test	3	Sound trap control for testing
-----------	---	--------------------------------

Sound trap control.

Filter System	3	Select Y/C Filter mode
---------------	---	------------------------

Select the trap frequency and the peaking frequency of color trap filter of Y.

- 3.58MHz Trap Mode / peaking at 2.2MHz
- 4.43MHz Trap Mode/ peaking at 2.7MHz
- No trap (High band mode)/
- 4.286MHz Trap Mode/ peaking at 2.3 MHz

	Y Block	Chroma Block
0	3.58MHz Trap	3.58MHz unsymmetrical
1	3.58MHz Trap	3.58MHz symmetrical
2	4.43MHz Trap	4.43MHz unsymmetrical
3	4.43MHz Trap	4.43MHz symmetrical
4	No trap	3.58MHz unsymmetrical
5	No trap	3.58MHz symmetrical
6	No trap	4.43MHz unsymmetrical
7	No trap	4.43MHz symmetrical
8 ~ 15	4.286MHz Trap	4.43MHz symmetrical

The switch of chroma band-pass filter.

- Unsymmetrical Mode
- Symmetrical Mode

Gray Mode	1	Service Test Mode (White/Gray)
-----------	---	--------------------------------

Switch to white level when Cross B/W is set as '10' or '11'.

- 0 : White(100%)
- 1 : Gray (15%)

Cross B/W	2	Service Test Mode (normal/Cross/Black/White)
-----------	---	---

It is possible to generate crosshatch, white level, black level pattern.

- 00 = TV operating mode
- 01 = Black pattern
- 10 = White pattern
- 11 = Crosshatch pattern
- Set the Cross B/W function as "black pattern" and input a chroma signal, then a differential RGB output can be achieved. (Switch on the BLK Defeat SW, the blanking pulse can also be defeated.)
- Set the Cross B/W function as "black pattern" and minimize color level, then the DC level of RGB can be used for adjusting the cutoff of CRT.

CbCr IN	1	Select YcbCr Input or SECAM Input.
---------	---	------------------------------------

Select SECAM Input or YcbCr Input.

0 : SECAM

1 : CbCr

G-Y Angle	4	Select G-Y angle
-----------	---	------------------

Select the demodulation angle of G-Y.

0 = 240 deg.

1 = 253 deg.

Color Killer Operational Point Select	3	Select color killer operational level
---------------------------------------	---	---------------------------------------

Color killer operational point can be selected depend on the input signal (etc. RF input or Y/C input).

000 = -30dB

111 = -40dB

VBLK SW	1	V blanking control SW
---------	---	-----------------------

The SW of V blanking.

0(normal mode)= video signal period 24H ~ 262H(NTSC) 25H~309H(PAL)

1(wide mode)= video signal period 29H ~ 257H(NTSC) 30H~304H(PAL)

FBP Blanking OR SW	1	Select Horizontal blanking operation
--------------------	---	--------------------------------------

The "OR" of the H blanking (produced inside IC) and external input FBP signal

0 = Horizontal blanking is created by the internal logic.

1 = Horizontal blanking is the "OR" of the FBP & internal logic.

Fsc or Csync output	1	Select 22pin output.
---------------------	---	----------------------

Select 22pin output. It need pull-up or pull-down resistor.

0:Fsc (need pull-down resistor)

1:Composite sync (need pull-up resistor)

Y APF Select	1	Select Chroma Trap ON/OFF.
--------------	---	----------------------------

Use YcbCr input mode and YC input mode.

0 = Chroma Trap ON

1 = All Pass Filter mode(Chroma Trap OFF):YcbCr mode and YC mode.

Pre/Over-shoot adjustment	2	Select pre-shoot width
---------------------------	---	------------------------

This function can adjust the pre-shoot component of the Y signal.

Usually, over-shoot component will increase when signal is proceeded in the IC. This will cause unbalance with the pre-shoot (peaking frequency). Therefore, this function can control shoot.

- 00 = Narrow
- 11 = Wide

White Peak Limiter	2	Select White Peak Limiter level.(with Defeat)
--------------------	---	---

When there is a bright spot signal in a low APL picture, ABL/ ACL does not operate and this will cause blooming problem. To avoid this, when APL is low, white peak limiter will operate to cut the abnormal bright signal.

- 00 = WPL OFF
- 01 = WPL ON(High operating point)
- 11 = WPL ON(Low operating point)

www.DataSheet4U.com

Y Gamma start point Select	2	Select Y Gamma start point.(with Defeat)
-------------------------------	---	--

- 00 = Y Gamma OFF
- 01 = Y Gamma ON(High operating point)
- 11 = Y Gamma ON(Low operating point)

DC Restoration Select	2	Select luma DC restoration
-----------------------	---	----------------------------

When the Black Stretch function is used during Y signal processing, the pedestal level will shift according to the APL of signal. Therefore, to avoid this problem, DC renewal rate can be selected in this IC.

- 00 = 100%
- 01 = 107%
- 10 = 113%
- 11 = 129%

Black Stretch Start Point Select(w/Defeat)	2	Select Black Stretch Start Point(w/Defeat).
---	---	---

Select Black Stretch Start Point(with Defeat).

- 00 = Black Stretch OFF
- 01 = Black Stretch ON(40IRE)
- 10 = Black Stretch ON(60IRE)

Black Stretch Gain Select	2	Select black stretch gain
------------------------------	---	---------------------------

- 00 = MIN.
- 10 = MAX

Auto-Flesh	1	Enable auto-flesh function
------------	---	----------------------------

Switch ON / OFF the automatic flesh function.

- 0 = OFF
- 1 = ON

The characteristic of Automatic Flesh (exclusive use for NTSC)

At the center point of tint, the axis of Flesh is 118 degree, and the maximum compensation is about 10 degree (7 ~ 20deg).

(Set this function off in PAL system.)

C Ext.	1	Selected-C In SW on
--------	---	---------------------

- 0 = select the chroma signal of internal composite video signal.
- 1 = select the chroma signal that input from pin 44.

C Bypass	1	Select chroma BPF bypass
----------	---	--------------------------

Bypass switch of chroma band-pass filter.

- 1 = bypass ON
- 0 = bypass OFF

www.DataSheet4U.com

C Kill On	1	C Kill Mode (0: Enable Killer circuit)
-----------	---	--

Ever when the color control is minimized, but maybe there is still has little color left in the picture. In this case, we can set Col_Kill as '1' together with the minimum color setting to get rid of the residual color.

- 0 = Automatic Mode (Normally using this mode when TV in operation)
- 1 = Enforce killer ON when color control is minimized.

C Kill Off	1	Disable Killer circuit (for IC Test)
------------	---	--

This mode is used when using IC tester for measurement.

- 1 : Test mode, in this case, killer circuit is not in operation.
- 0 : TV operating mode

Color System	3	Select Color System
--------------	---	---------------------

The color system can be set to automatic mode (000/001) or manual mode (010 ~ 111) by CPU.

Setting of BUS bit:

- 000 = Automatic mode 1 PAL/NTSC/4.43NTSC(/SECAM)
- 001 = Automatic mode 2 PAL-M/PAL-N/NTSC
- 010 = PAL
- 011 = PAL-M
- 100 = PAL-N
- 101 = NTSC
- 110 = 4.43NTSC
- 111 = SECAM

Cont Test	1	Enable contrast DAC test mode
-----------	---	-------------------------------

Contrast control Test mode.

- 1:Test mode
- 0:Nomal mode

Digital OSD	1	Select Digital OSD mode/Analogue OSD mode
-------------	---	---

- 0 = Analogue OSD mode(Clamp circuit ON).
- 1 = Digital OSD mode(Clamp circuit OFF)

Bright ABL Defeat	1	Disable brightness ABL
-------------------	---	------------------------

Bright ABL Threshold	3	Align brightness ABL threshold
Bright Mid Stop Defeat	1	Disable brightness mid stop

In order to make the design of TV chassis more easier, ABL(Auto Beam Limiter)function can be controlled by BUS.

Bright ABL Defeat : The defeat SW of Brightness ABL

1 = ABL Defeat ON

0 = ABL Defeat OFF

Bright ABL Threshold: Adjust the start operating point of Brightness ABL

Bright Mid Stop Defeat: The defeat switch for the limit operation of brightness ABL by brightness control

1 = Disable limit operation

0 = Enable limit operation

RGB Temp. SW	1	Select the temperature characteristics for RGB DC output.
--------------	---	---

0 = -1VBE.

1 = Flat

R/B Gain Balance	4	R-Y/B-Y Gain Balance
------------------	---	----------------------

Adjust the demodulation ratio of R-Y and B-Y.

R/B Angle	4	R-Y/B-Y Angle
-----------	---	---------------

Adjust the demodulation angle of R-Y and B-Y.

B-Y DC Level	4	B-Y DC Level (White-Balance)
--------------	---	--------------------------------

R-Y DC Level	4	R-Y DC Level (White-Balance)
--------------	---	--------------------------------

*Fine adjust the offset of the DC level (white balance) when switch PAL/SECAM system. SECAM decoder is using external IC.

Audio SW	1	
----------	---	--

The switch of Int./Ext. audio input.

0 = Internal

1 = External

Volume	7	Customer volume control
--------	---	-------------------------

Sound volume control (attenuation mode)

Maximum gain = 0dB, step = 0.5dB

OVER.MOD.SW	1	Select over modulation function
-------------	---	---------------------------------

Drive control test mode

1:Test mode.

0:Nomal mode

VOL.FIL	1	Disable volume DAC filter
---------	---	---------------------------

In order to get rid of the "POP" noise which is caused by the DAC of volume control, volume filter is built-in into the IC.

This filter is set 'OFF' when IC tester is used for measuring.

- 0 : TV operating mode
- 1 : Filter OFF

RF AGC Delay	6	Align RF AGC threshold
--------------	---	------------------------

Adjust RF AGC Delay point

De-emphasis TC	1	Select De-emphasis Time Constant
----------------	---	----------------------------------

Switch of De-emphasis time constant

- 0 = 50uS
- 1 = 75uS

VIF System SW	2	Select 38.0/38.9/45.75/58.75
---------------	---	------------------------------

IF frequency switch

- 00 = 38.0MHz 01 = 38.9MHz
- 10 = 45.75MHz 11 = 39.5MHz

SIF System SW	2	Select 4.5/5.5/6.0/6.5 Mhz
---------------	---	----------------------------

SIF frequency switch

- 00 = 4.5MHz 01 = 5.5MHz
- 10 = 6.0MHz 11 = 6.5MHz

FM Gain	1	Select FM Output Level
---------	---	------------------------

Switch of FM detection output

- 0:900mVrms @ ± 50KHz.deviation
- 1:900mVrms @ ± 25KHz.deviation

IF AGC Defeat	1	Disable IF and RF AGC
---------------	---	-----------------------

Usually, the IF block of the television is not in operation when the input signal is VTR signal. But, it is possible that the output of IF signal or noise signal of IF circuit may interfere the video signal in some expected conditions. In this case, we can minimize the gain of IF AGC to solve this problem.

- 0 : Normal mode
- 1 : Minimize the gain of VIF amplifier.

Video Level	3	Align IF video level
-------------	---	----------------------

The video detection output is adjusted to 2Vpp.

The accuracy of video signal is 2Vpp ± 0.1Vpp after adjustment.

FM Level	5	Align WBA output level
----------	---	------------------------

The output of FM is adjusted to 900mVrms. The accuracy of FM output after adjustment is 900mVrms ± 10 mV.

Pre/Over Select	1	Select Pre/Over-shoot adjustment.
-----------------	---	-----------------------------------

0 = Pre-shoot adjustment.

1 = Over-shoot adjustment.

C.CVO Adj SW	1	Select C.VCO adjustment direction.
--------------	---	------------------------------------

C.VCO adjustment direction.

0:adjust plus.

1:adjust minus.

C/VCO Adjustment	2	Control free Run frequency of chroma VCO(without 4.43MHz mode).
------------------	---	--

Control free run frequency of chroma VCO that use NTSC/PAL-M/PAL-N.

00:0Hz

01:30Hz

10:60Hz

11:90Hz

Tint Through	1	Set tint control center value.
--------------	---	--------------------------------

Tint control set center value.

0:Nomal mode.

1:Tint control set center value.(Can't control tint.)

Hlock.Vdet	1	Select Vertical sync system.
------------	---	------------------------------

Select vertical sync system.

0:Normal mode.(Vsync system always working.)

1:LA76810 system.(If H-Lock not detect, then stop vertical sync separation.)

VIDEO.LEVEL.OFFSET	2	Control IF video output amplitude.
--------------------	---	------------------------------------

Control video output amplitude. When the video output amplitude more change, use this control. But normally set bit=01.

00:minimum.

01:recommend amplitude.

11:maximum.

IF TEST1	1	IF Test mode.
----------	---	---------------

IF Test mode.

0:Nomal mode

1:Test mode.

OVER.MOD.LEVEL	4	Adjust over modulation operating point.
----------------	---	---

Adjust over modulation operating points.

Statue Register of LA76818

Register Name	Bits	General Description
H Lock	1	H LOCK Detection
Killer	1	Color Killer operation output
Color System	3	000: B/W 001: PAL 010: PAL-M 011: PAL-N 100: NTSC 101: 4.43NTSC 110: SECAM 111: Do not care

Output the color system of IC which is operating.

If CPU set the Color System as Auto Mode, there is an output to indicate the color system which is operating in the IC. The output will be '000' if any mistake taken.

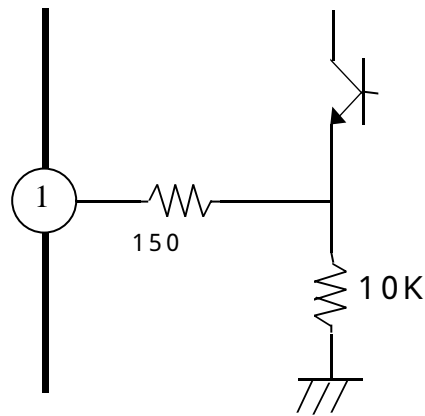
If CPU set the Color System as Manual Mode, specified mode is output. If selection cannot be made, output '000'.

X Ray	1	X Ray Protection Detection
POR	1	Power On Reset
IF Ident	1	Detect sync signal of IF video detection output and output the information. (corresponding to PAL 21 PIN connector)
RF AGC	1	Detect the output voltage of RF AGC, then compare it with the reference voltage and output the information: 'High' or 'Low'
IF.LOCK	1	Output the information (locked / unlocked) of PLL
V TRI	1	Detect vertical sync signal
50/60	1	Detect 50/60Hz mode
ST/NONST	1	Discriminate Standard / Enforced Non-Standard mode

PIN 1 (Audio Output)

This is an audio output pin. The output impedance is about 300 and the DC output is about 2.5V. The dynamic range of it is 3.5Vpp.

There is an attenuator between input (int.: pin 2; ext.: pin 51) and output, whose maximum gain is 0dB and DAC step is 0.5dB. Also, a LPF ($f_c = 30\text{Hz}$) is built-in between D/A circuit and volume circuit to solve the 'POP' noise problem which is caused by the volume control.



Circumference circuit of pin 1

Pin 2 (FM Output)

This is an output pin for FM detector. The output circuit is a voltage follower. The DC voltage is about 2.5V and the dynamic range is 4V.

The setting of BUS is depending on the frequency of SIF:

SIF frequency	BUS setting
4.5MHz	'00'
5.5MHz	'01'
6.0MHz	'10'
6.5MHz	'11'

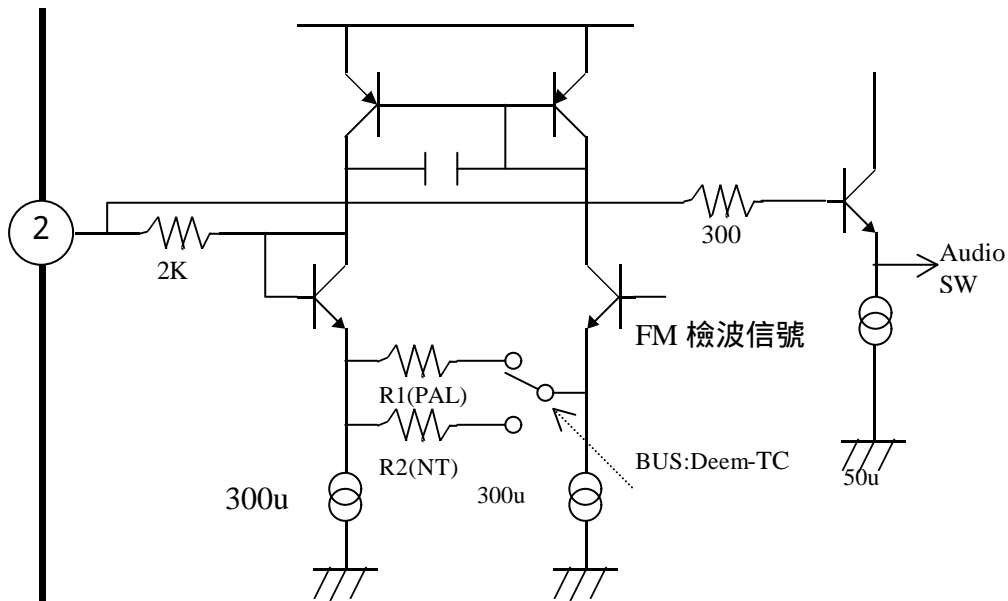
The output level is variable which is controlled by BUS:

BUS setting for FM Gain	Output level
'0'	1000mVrms (± 50KHz)
'1'	1000mVrms (± 25KHz)

The output impedance is variable which is controlled by BUS:

BUS setting for Deem-TC	Output Impedance
'0'	5.0K
'1'	7.5K

The time constant of the de-emphasis is determined by the value of external capacity (0.01uF). There is no necessary to connect an external capacity if a stereo IC is used. But, the output impedance is very high. This pin is also used to be an internal pin for audio SW.



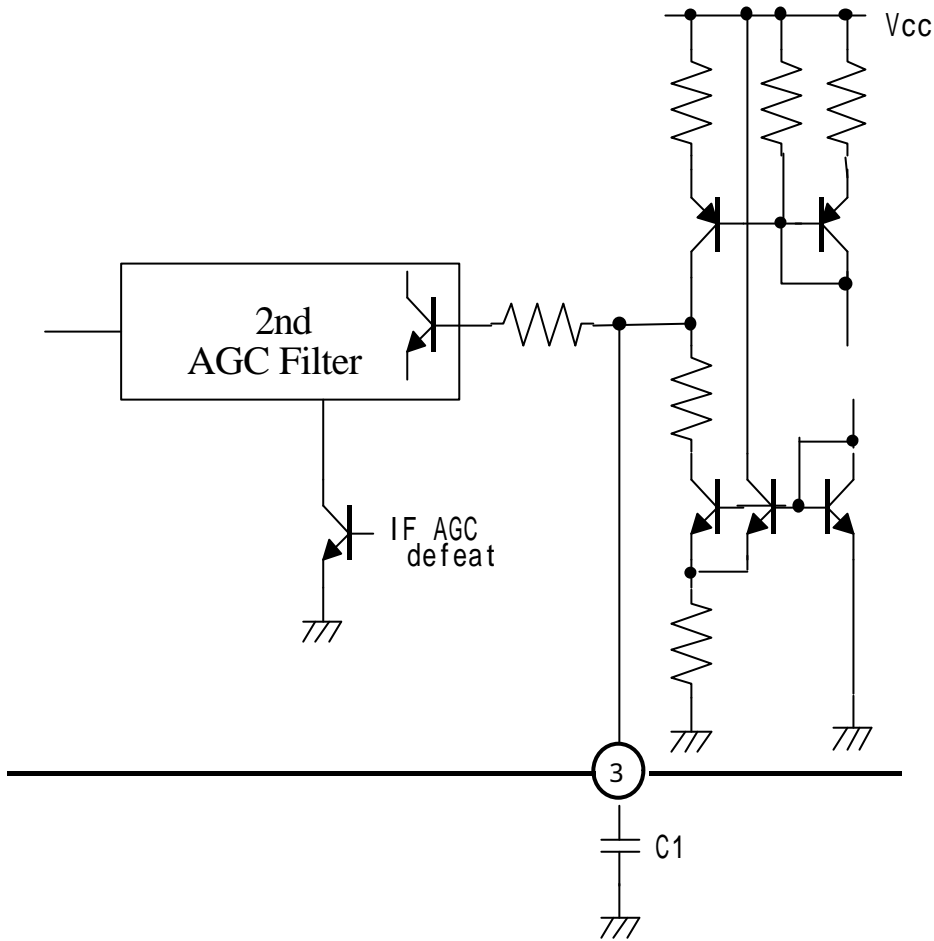
The circumference circuit of pin 2

PIN 3 (IF AGC Filter)

This is 1st AGC filter pin. The signal, which is peak detected by the AGC detector, is smoothed by the external capacitor and become to AGC voltage. The 2nd AGC filter is also built-in into IC. The value of C1 is depending on the speed of AGC, sag etc, and the recommend value is about 0.022uF.

If the BUS of IF AGC is set as '1', the gain of PIF is set minimally.

www.DataSheet4U.com

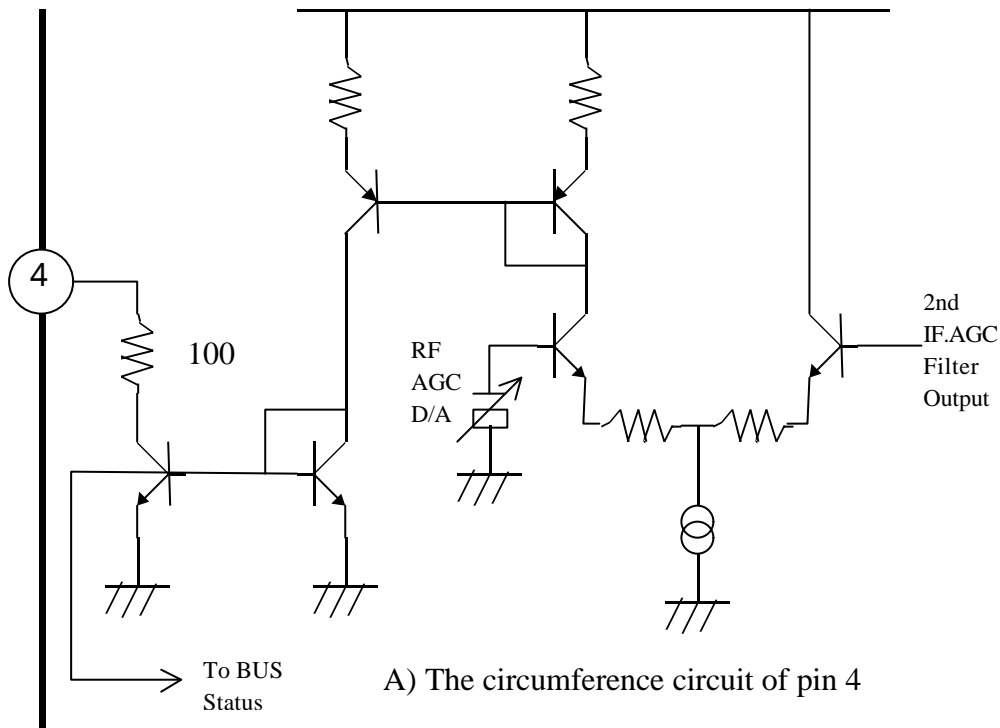


The circumference circuit of pin 3

PIN 4 (RF AGC OUTPUT)

This is a RF AGC output pin. The reference voltage, which is controlled by RF AGC D/A, and the IF AGC voltage is input into differential amplifier, then the output can be achieved at the open collector. The time constant is determined by the value of the external R & C. The maximum drive current of Q1 is 1mA. The maximum DC voltage of pin 4 is 9V. Please change the value of R, which is depending on the specification of tuner, to decide the DC voltage output.

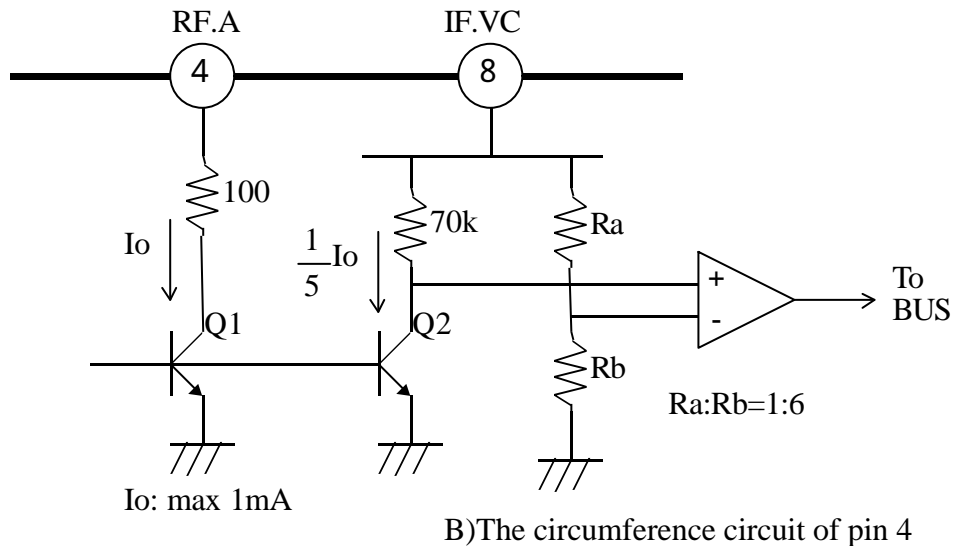
www.DataSheet4U.com



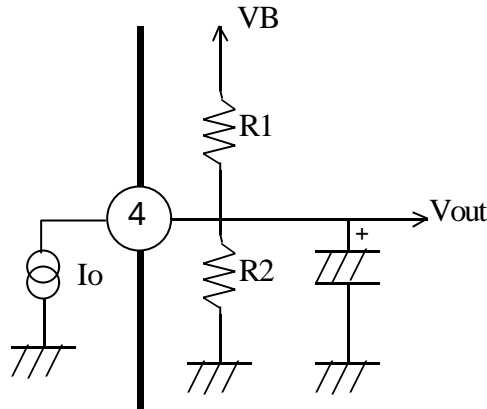
A comparator, which is used for BUS statue, is built-in this IC. The reference voltage of this comparator is set as $V_{cc} * (6/7)$ and compare with voltage below:

$$V_{cc} - \{ I_o * (1/5) * 70k \}$$

* I_o is the output current of pin 4.



[The example application circuit]



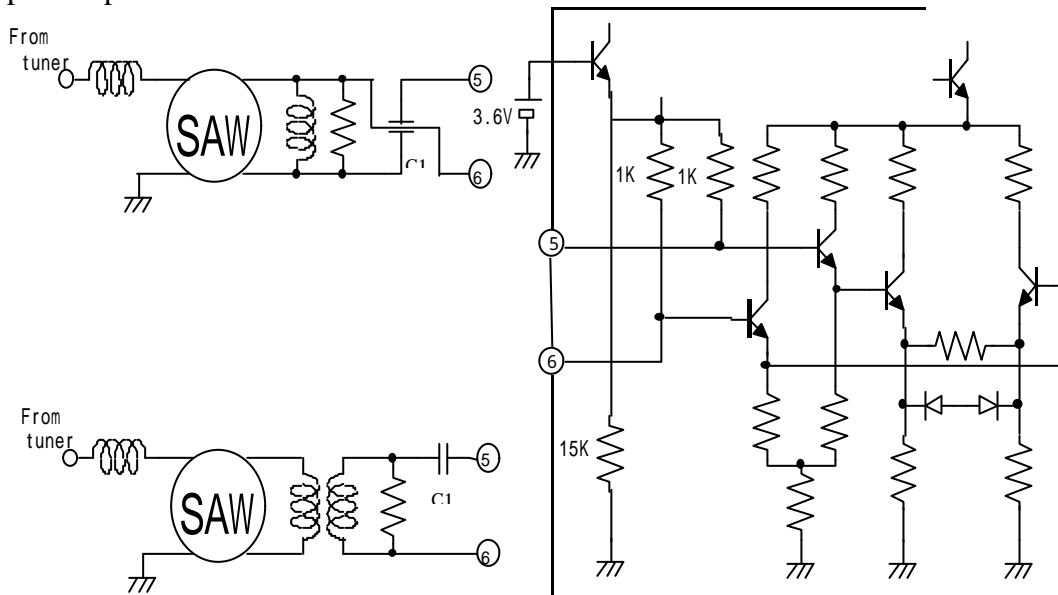
$$V_{out} = \frac{R_2}{R_1 + R_2} (V_b - I_o \cdot R_1)$$

The BUS statue is '1' if Vb, R1, R2 is set as below and the Vout is 6V:
 Vb = 9V, R1 = 30K , R2 = 120K

PIN 5,6 (PIF AMP INPUT)

This is a PIF input pin. The input impedance Ri is about 1.5k and the input capacity is about 5pF.

This is a balanced input and it needs a 0.01uF capacitor for coupling. The balanced error generated in the SAW filter and the printed plate can be canceled and the weak field characteristic may be improved by using C1 to cross the IC input pin layout on the printed plate.



The circumference circuit of pin 5 & 6

PIN 7 (IF GROUND)

This is the ground of IF circuit.

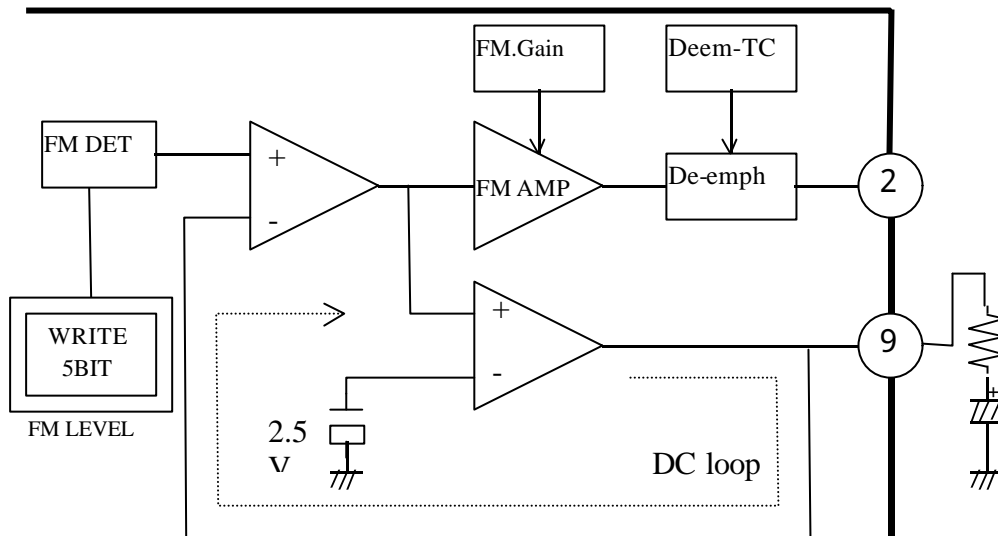
PIN 8 (IF Vcc)

This is DC voltage supply pin for IF circuit. Please add a 5.0Vdc to it.

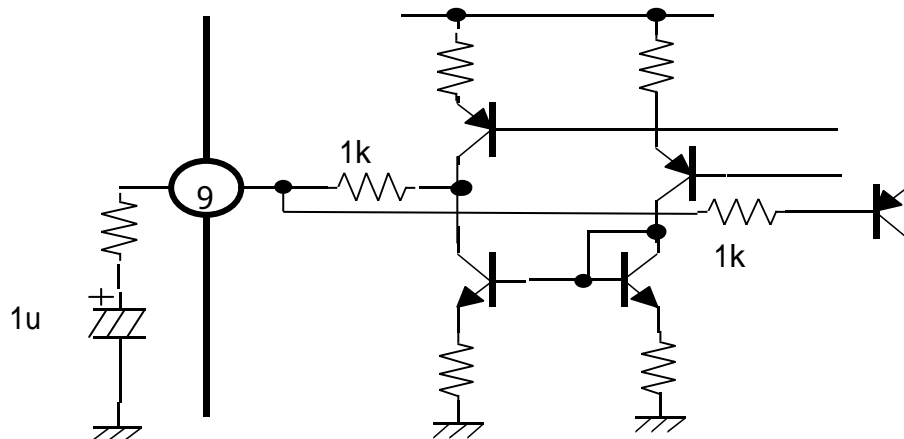
PIN 9 (FM FILTER)

This is the filter pin for the DC loop of FM detector.

www.DataSheet4U.com



Using PLL FM detection will cause DC shift during detecting SIF from 4.5MHz to 6.5MHz. But, this IC detects SIF signal from 4.5MHz to 6.5MHz at good linearity range. Then it will pass through a amplifier after the DC output is fixed. In order to keep the DC output constantly, feedback loop of the operating amplifier is built-in into the IC. And it is also necessary to feedback a DC component, which is created by the external capacitor of pin 9. The recommend value of this capacitor is 1uF. The characteristic of low frequency and the respond time when FM signal input is depending on the value of this capacitor. And it is also possible to decrease the FM detection level by connecting a resistor serially with pin 9.

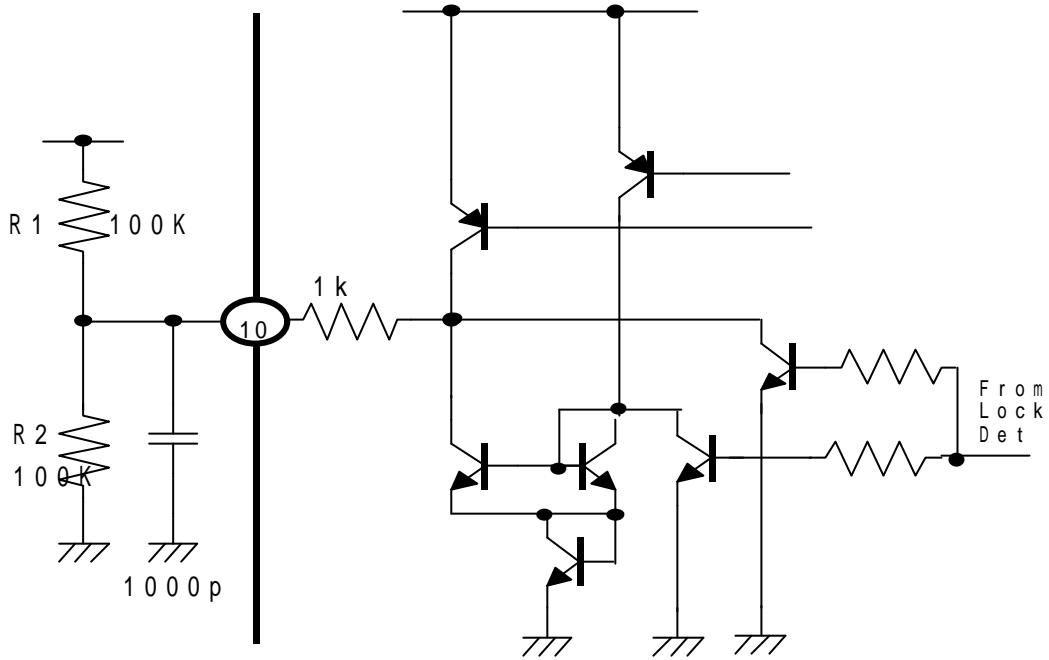


The circumference circuit of pin 9

PIN 10 (AFT OUTPUT)

This is an AFT output pin. The output is achieved from the collector of the current mirror circuit. The control sensitivity of AFT can be adjusted by the external resistor (R1, R2). The current mirror circuit doesn't operate at around center frequency ($f_0 \pm 35\text{KHz}$), and the voltage of pin 10 is determined by the external resistor (R1, R2). The control sensitivity of AFT is about 20mV/kHz when $R1 = R2 = 100\text{K}$.

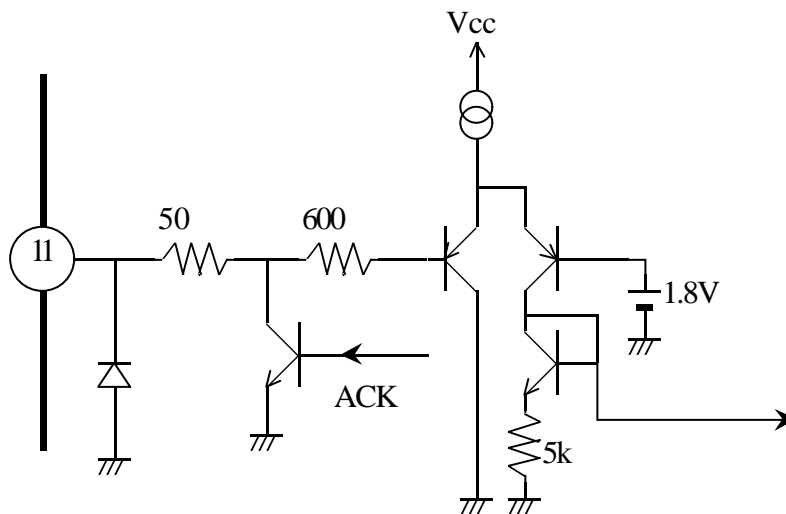
The BUS control is fixed at "L" when IF PLL is unlocked.



The circumference circuit of pin 10

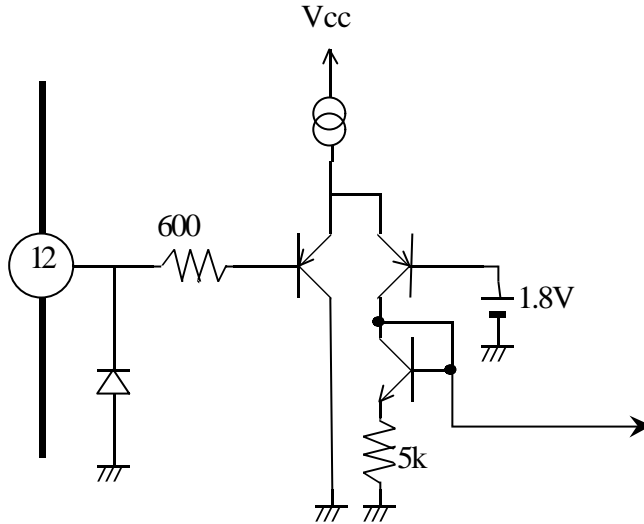
PIN 11 (BUS DATA)

This is a BUS Data input pin.



PIN 12 (BUS CLOCK)

This is a Bus Clock input pin.

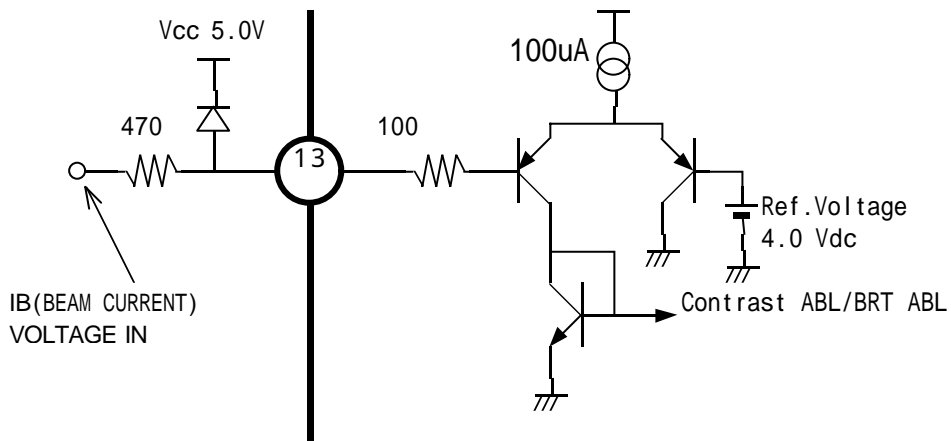


PIN 13 (ABL)

* ABL (Auto Beam Limiter) Function

This is a ABL / ACL input pin. Please transform beam current into voltage.

* Please refer data-sheet about the characteristics in detail.



PIN 14, 15, 16 (R, G, B INPUT)

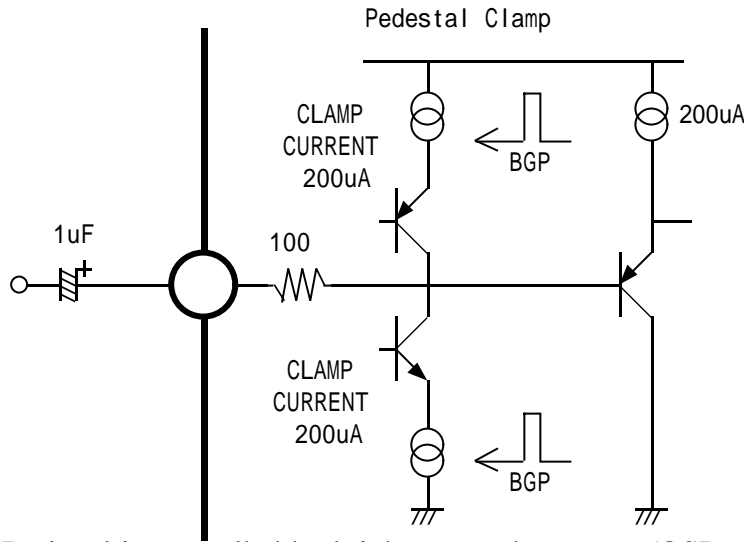
This is a OSD input pin. It can be used in either digital input mode or analog input mode. A coupling capacity is necessary.

14 PIN : R INPUT, 15 PIN : G INPUT, 16 PIN : B INPUT

Input Signal:

- ◆ Analog Signal 0.7V (Black Level - White Level)
- ◆ Digital Signal High Level : 5V(Max)

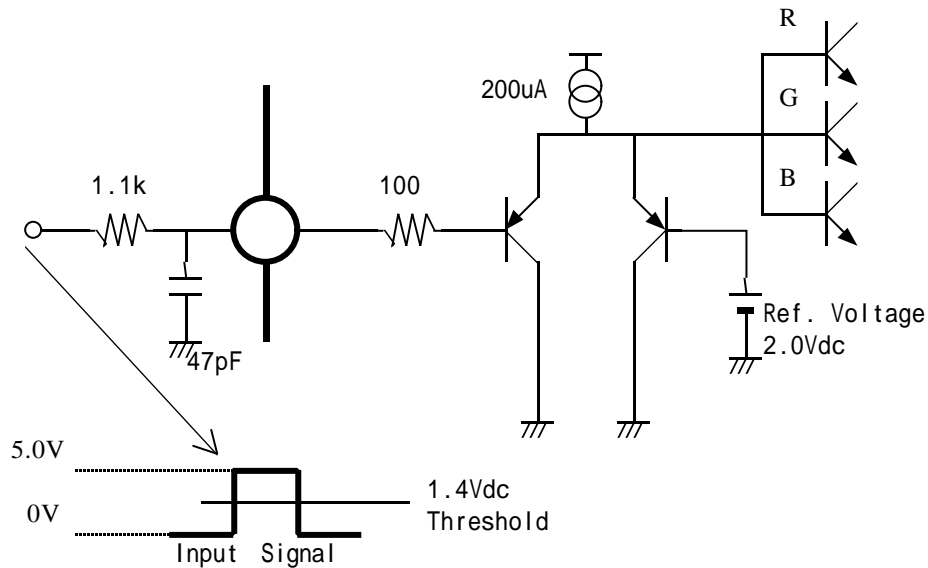
www.DataSheet4U.com



Note: OSD signal is controlled by brightness and contrast. (OSD signal is impressed on external video signal before brightness and contrast control).

PIN 17(FAST BLANKING INPUT)

This is a OSD fast blanking input pin. The threshold voltage is 1.4V.



PIN 18(RGB Vcc)

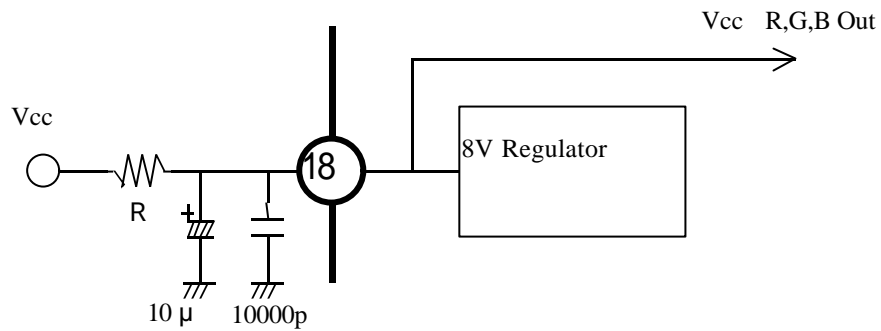
This is a Vcc input pin of RGB output block. A 8.0V regulator is built-in in the IC and please supply a current of 18mA to it.

A resistor is needed to connect with this pin from Vcc. The value of the resistor is decide as below:

$$R[\Omega] = (V_{cc} - 8.0)/18m$$

For example: Vcc = 9.0V, then a 8.2Ω resistor is necessary.

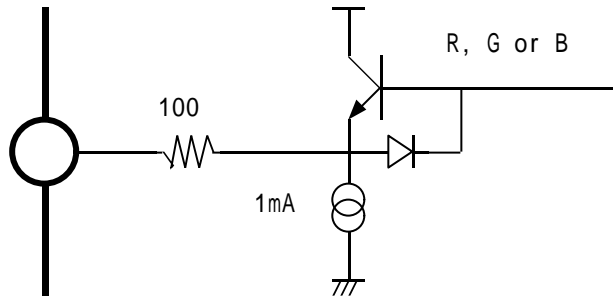
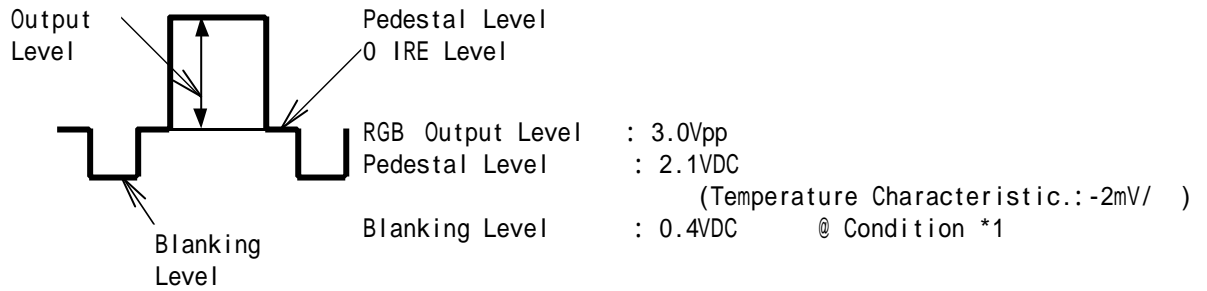
www.DataSheet4U.com



PIN 19, PIN 20, PIN 21(R, G, B OUTPUT)

This is a R, G, B signal output pin. (19 PIN : R OUT, 20 PIN : G OUT, 21 PIN : B OUT)

Output Signal
R, G, B



Condition *1 :

- Contrast Control (7 bit) : Max
- Brightness Control (7 bit) : Mid (100000)
- Sub-Brightness Control (7 bit) : Mid
- R, B Drive Control (7 bit each) : Max
- G Drive Control (4 bit) : Min
- R, G, B Bias (Cut-Off) Control (8 bit each) : Min

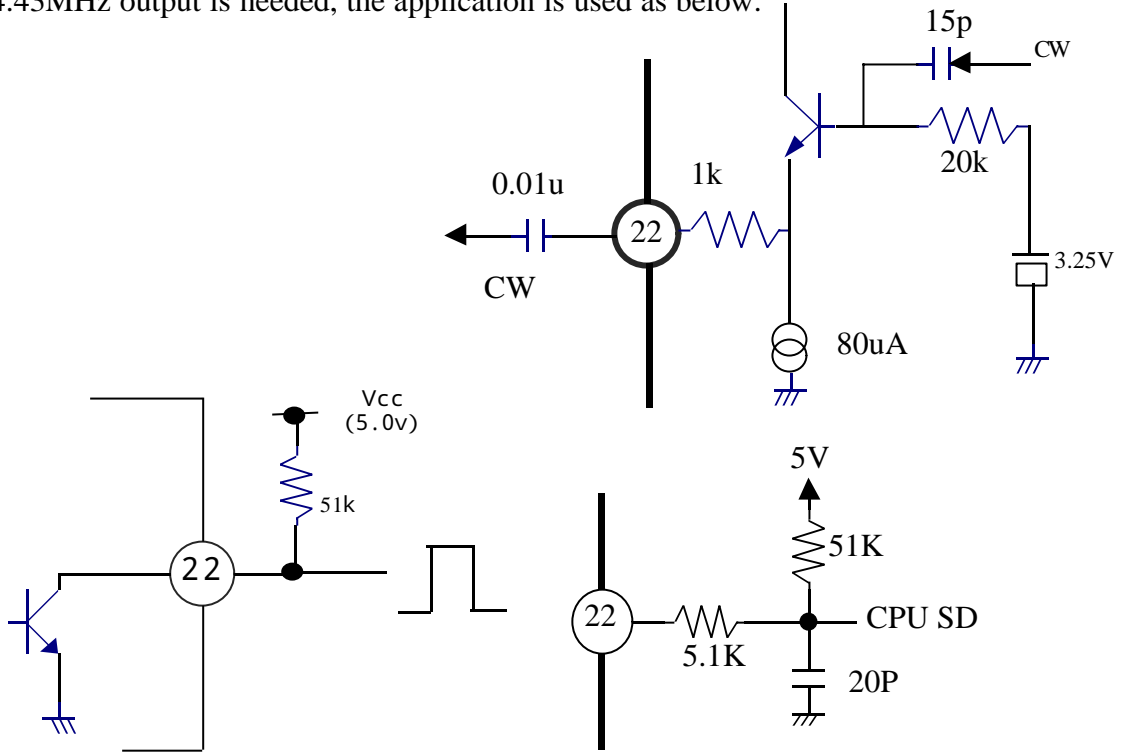
Each control variable range is show below:

Input signal: 1Vpp (Sync Tip to White) = 140 IRE

	Min	Typical	Max
Y Total Gain (Max)	12 dB	14 dB	16 dB
Contrast Control Max/Mid	5 dB	7 dB	9 dB
Contrast Control Range Min/Max (128-step)	-15 dB	-12 dB	-9 dB
Brightness Control Max/Mid (64-step)	25 IRE	30 IRE	35 IRE
Brightness Control Min/Mid (64-step)	-35 IRE	-30 IRE	-25 IRE
Sub-Bias Control Range (128-step)	700 mV	800 mV	900 mV
Bias Control Range (256-step)	700 mV	800 mV	900 mV
G Drive Reduction Control Range (16-steps)		4 dB	
R,B Drive Reduction Control Range(128-step)	9 dB	11 dB	13 dB

PIN 22(fsc output or c-sync. output)

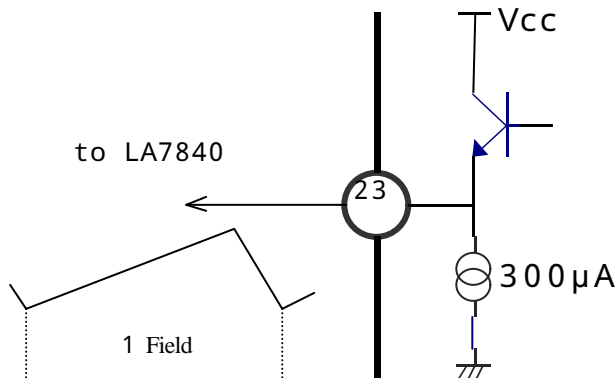
The output of this pin can be selected by BUS be either fsc output or c-sync output. If 4.43MHz output is needed, the application is used as below:



PIN 23 (VERTICAL OUTPUT)

This is a output pin of vertical synchronization ramp signal. We recommend using together with LA7840 serial. Below are some functions which can be control by BUS:

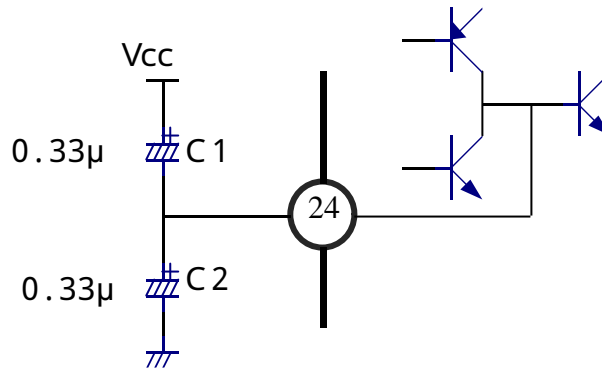
- V.DC : position of field (6 bit)
- V. size : size of field (7 bit)
- V. linearity : linearity (5 bit)
- V. SC : S compensation (5 bit)



The application of vertical position adjustment circuit is different depending on either using ± dual voltage supply or single voltage supply. Please refer to technical note of LA7840/LA78040 (Vertical output IC).

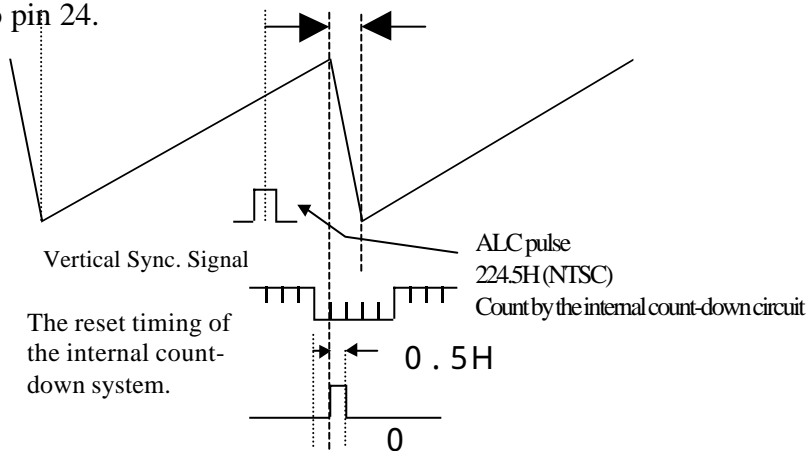
PIN 24 (V RAMP ALC FILTER)

For achieving more stable ramp output, the slope of the ramp output is fixed by adding an ALC (automatic level control) loop to the ramp generator, which is the reference of the vertical output. A smoothing capacitor, which is part of the loop, is connected to pin 24.



Note)

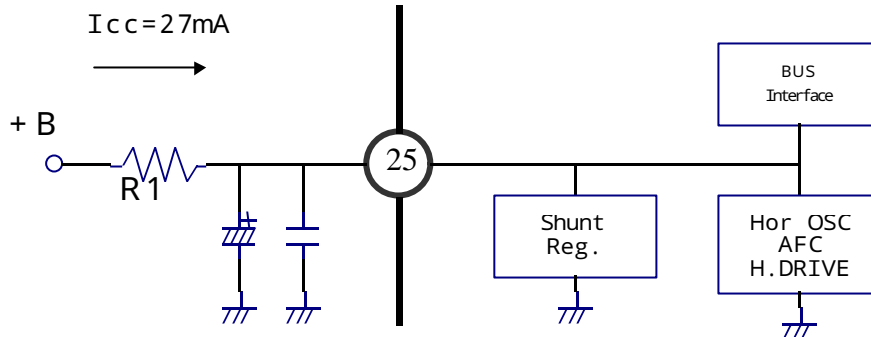
Normally, the voltage of pin 24 is controlled at around 2.5V. The time constants of the ALC become very long due to only sampling 1 H during V period. It is possible that it is unable to catch up the rapidly temperature change, so please be careful in your design. Besides, because of the hold period of sampling is very long, don't let a leakage current flow into pin 24.



ALC is proceeded at the position which is either 224.5H (NTSC) or 268H (PAL) apart from the internal reset timing. The slope is controlled constantly, if a non-standard signal (1 field = 262.5H or 312.5H) is input, the size of the screen will change. The pull-in range of the count-down system is 226 ~ 296 in NTSC system, or 288H ~ 357H in PAL system.

PIN 25 (HORIZONTAL / BUS Vcc)

This is a Vcc pin of horizontal deflection block and BUS interface block.

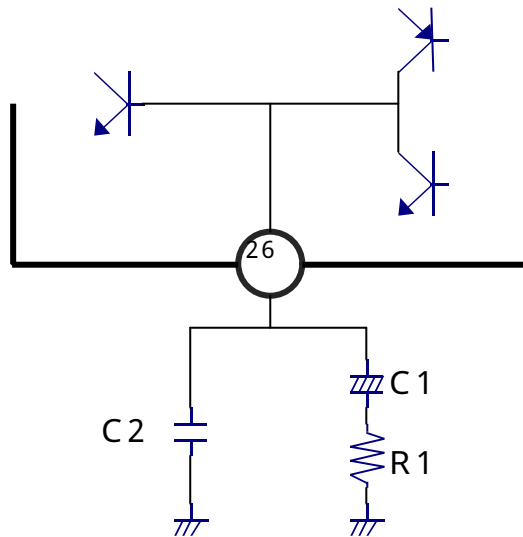


Choose the value of the resistor R1 to let the current flow into pin 25 is 26mA. The value of the resistor is decide as below:

$$R1 = (+B-5.0V)/27mA$$

PIN 26(AFC FILTER)

This is a AFC filter pin of horizontal VCO.



C1 is used for canceling the vertical ripple, while the resistor R1 is used for transforming the control current into voltage. C2 is a smoothing capacitor.

Reference value :

C1 = 1.0 μF

C2 = 0.015 μF

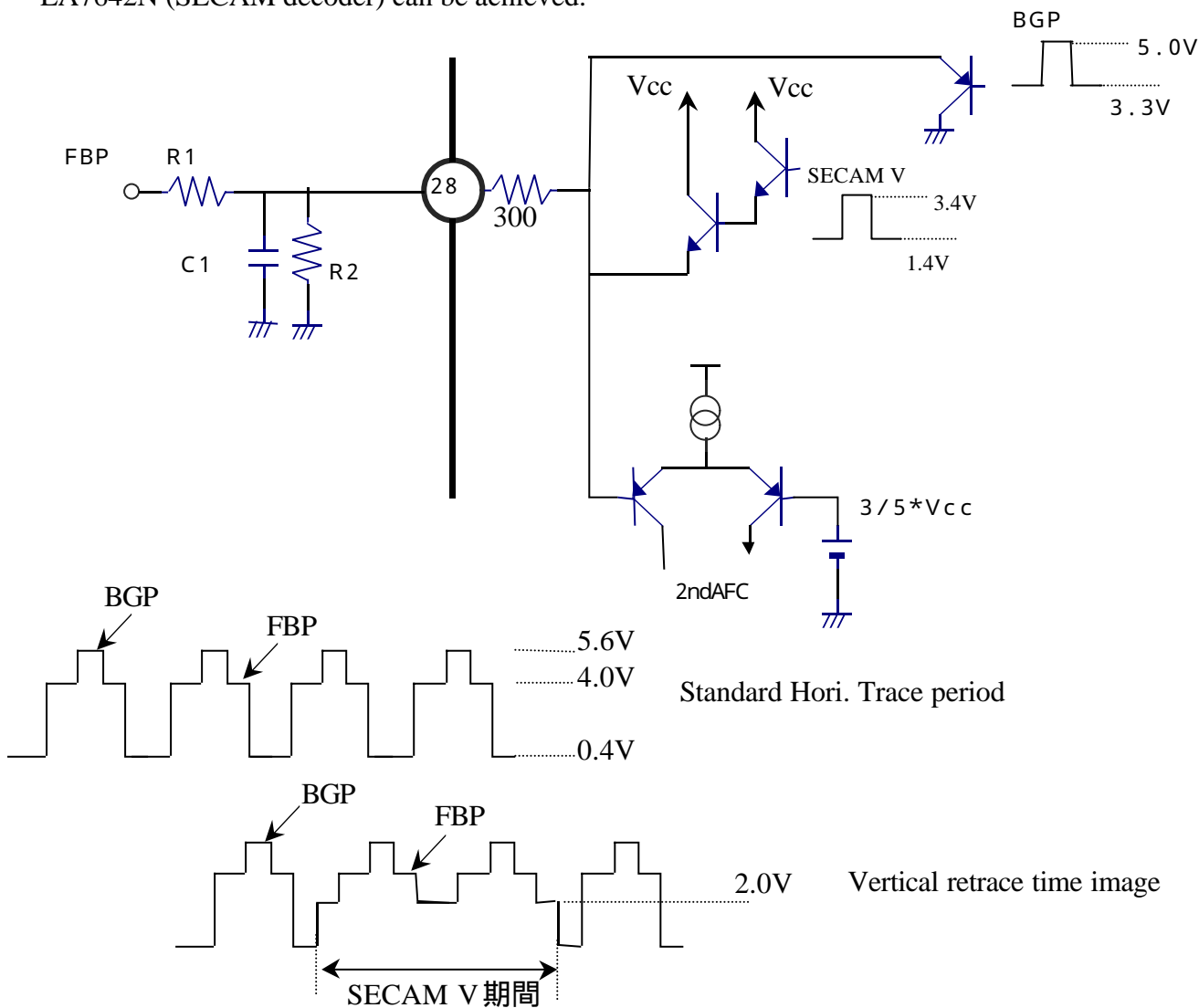
R1 = 3.0K

PIN 28 (FBP INPUT)

This is the input pin of flyback pulse, which is used for AFC. The threshold voltage at which the flyback pulses are acquired internally by the IC is $3/5 \cdot V_{cc}$. (For example, if the V_{cc} is 5V, it is 3V). The fly-back pulse is input via R1 and R2. Besides, although the input flyback pulses are input to the AFC loop to take up the horizontal output storage time, since the screen center is offset in advance, the flyback pulses must be matched to the screen center by adjusting the integration provided by R1 and C1. This IC has a function which is used for horizontal position fine adjustment:

Horizontal Phase : the horizontal center of the screen can be adjusted by bus-controlled. (5bit)

Besides, if the peak of input FBP of pin 28 is exceeding 4V, BGP and vertical output for LA7642N (SECAM decoder) can be achieved.



Note 1)

The best storage time of this IC, between the rise up of Horizontal output (pin 27) and the rise up of input FBP, is about 9 μ s. Therefore, the storage time of television chassis is better set at 9 μ s ± 2s.

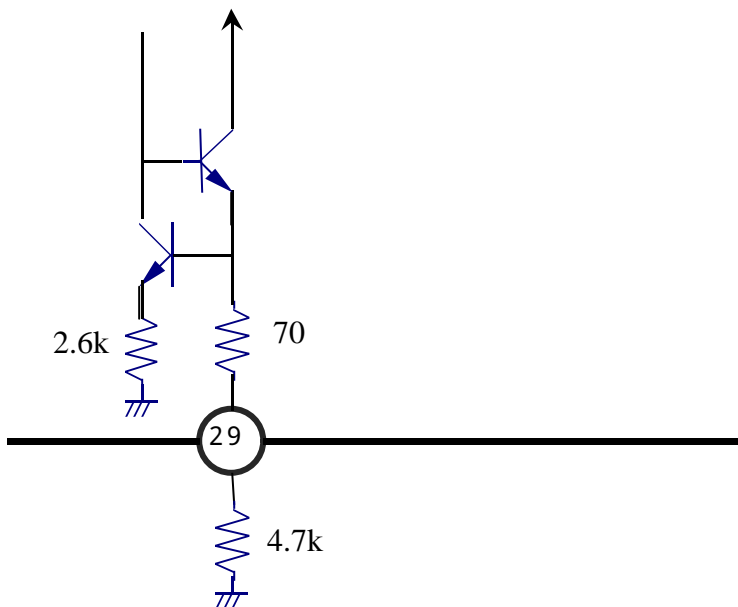
Note 2

In LA76810 serial, FBP is not used in the blanking of RGB output. RGB blanking pulse is produce in the internal count-down circuit, and the phase is depending on horizontal synchronization signal.

Concerning to the phase and the width of blanking pulse, as before waveform is made up and designed suitably in FBP input circuit. But, in LA76810 serial, the phase and the width of blanking pulses (H BLK R&L) can be set by BUS control. Therefore, the design of FBP input circuit (adjustment of horizontal phase, jitter characteristic etc) become more easier. Also, in case of develop many chassis, this can contribute to speed up the development period.

PIN29 (I reference)

This is a pin for producing reference current. Use a resister of 4.7K to connect with ground from this pin.



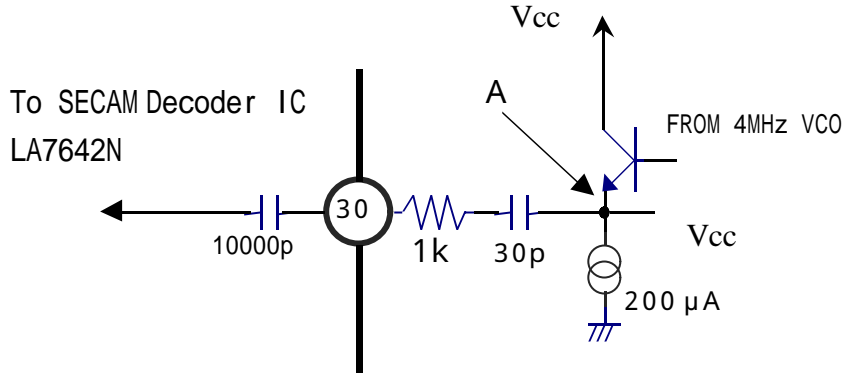
Note)

During the stage of evaluation of this IC (engineering sample), bus-control is used to adjust the horizontal frequency (H freq. = 6 bit). But no more adjustment of horizontal frequency is needed in the mass-production products. Depending on the accurate level of horizontal free-run frequency we need, a low offset external resister is requested.

PIN 30(4MHz CLOCK OUTPUT)

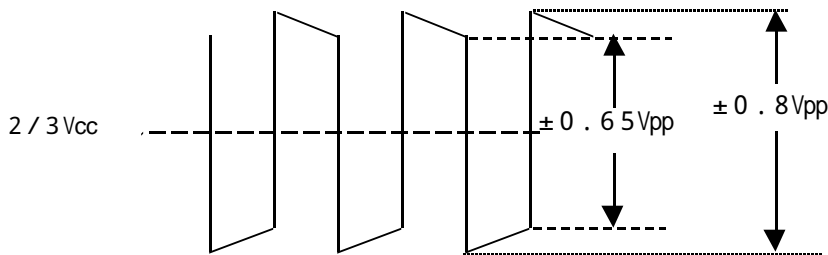
This is an output pin of a 4MHz (accurately is 256*fh Hz) clock.

Please use a 10000p coupling capacitor for output to LA7642N. If LA7642N is not using, please open this pin.



We can get a amplitude of $2/3V_{cc} \pm 1V_{be}$ at point A.

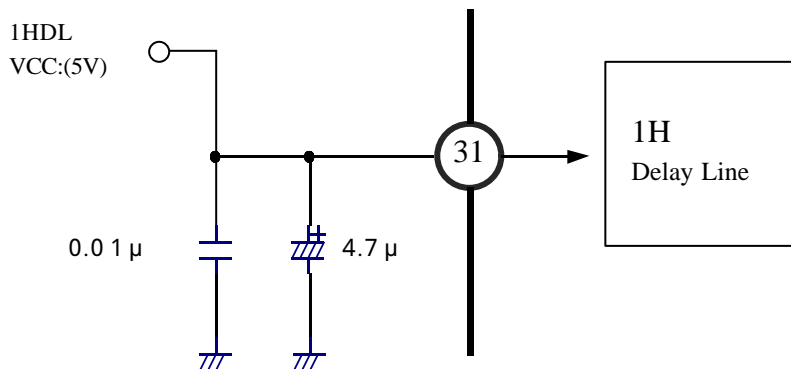
The waveform of pin 30 is shown below:



The duty of this waveform is 50%.

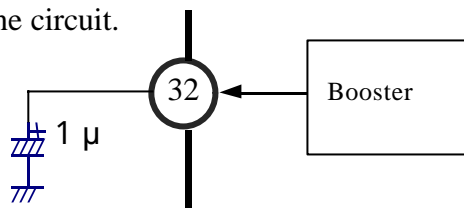
PIN 31(CCD Vcc)

This is a Vcc (5V) pin for 1 H delay-line.



PIN 32(CCD FILTER)

This is the filter pin of the built-in 1H delay-line circuit.

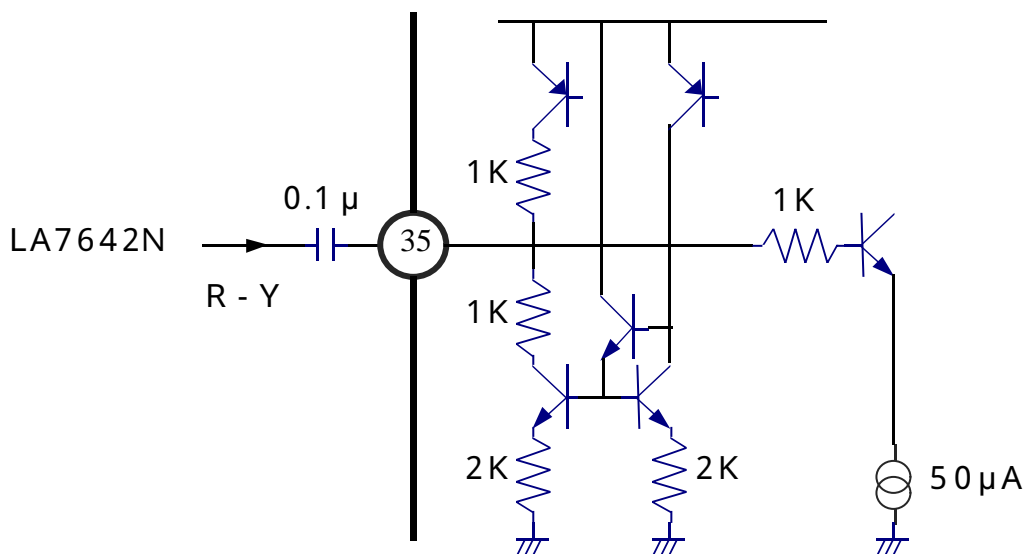
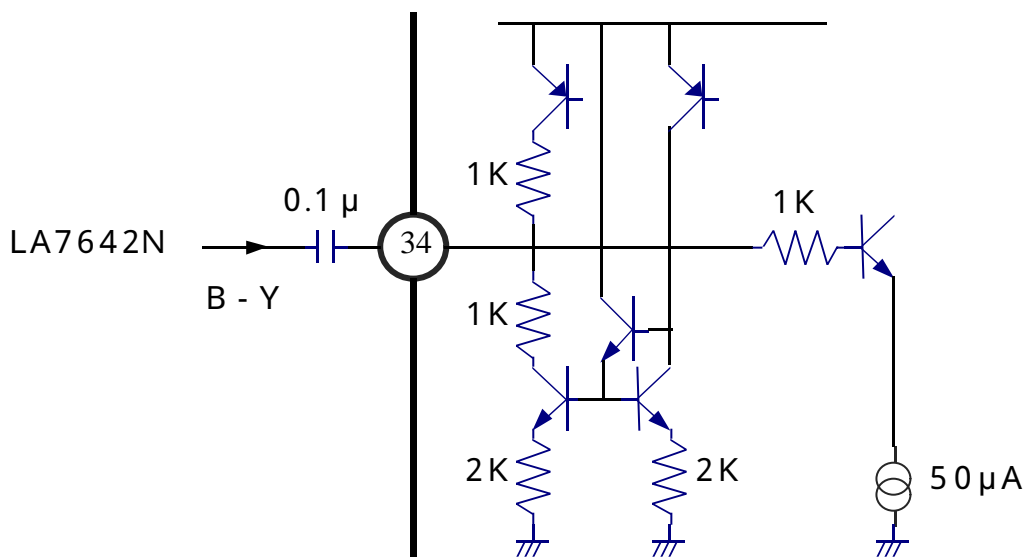


PIN 33(CCD & DEFLECTION GDN)

This is the ground pin of CCD & deflection block.

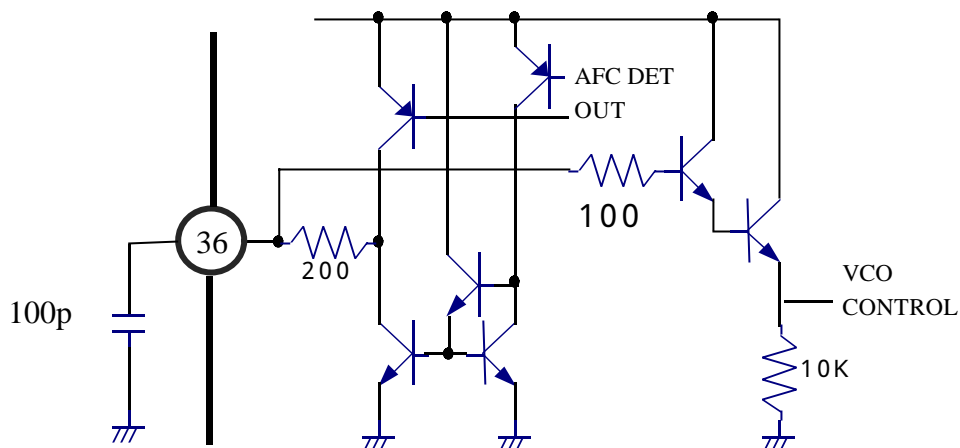
34, 35 PIN (SECAM INPUT or CbCr INPUT)

This is a SECAM signal input pin, and CbCr input pin. Select Bus DATA.



PIN 36 (CHROMA APC2 FILTER)

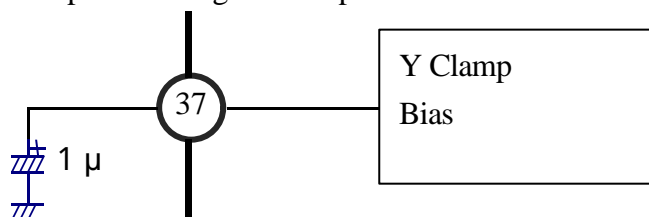
This is filter pin for AFC filter of chrome VCO.



www.DataSheet4U.com

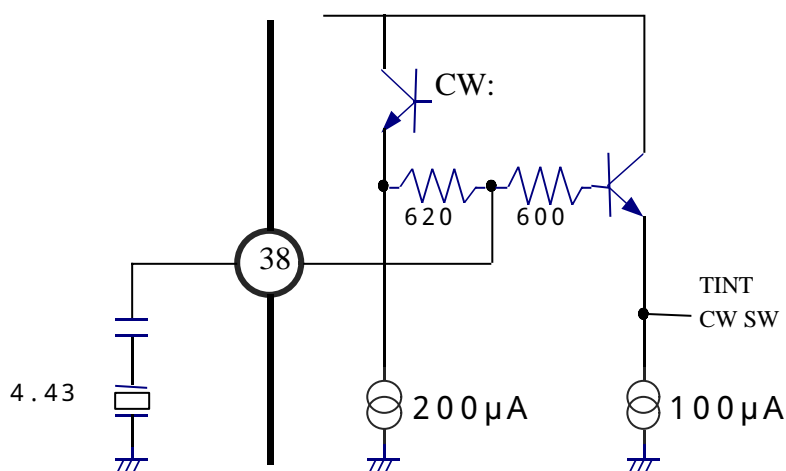
PIN 37 (CLAMP FILTER)

This is a filter pin for Y signal clamp circuit bias filter.



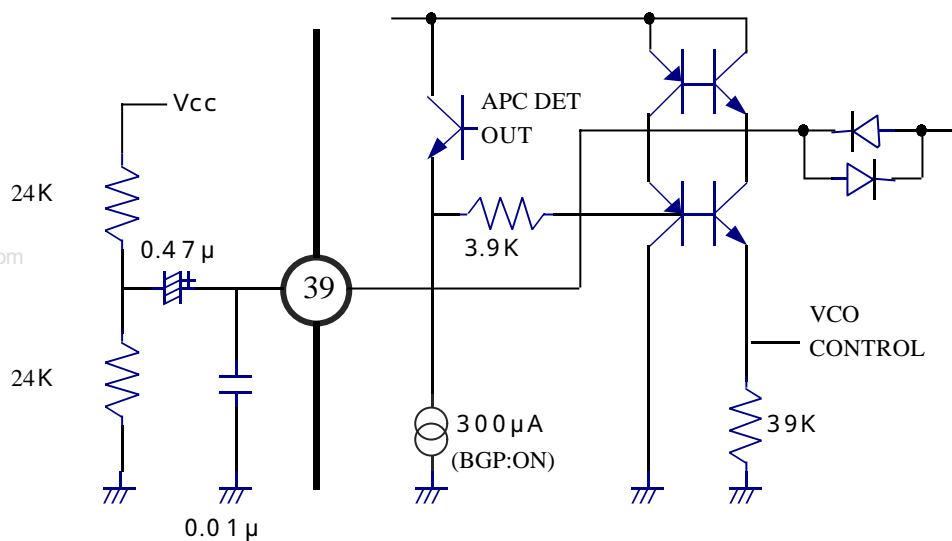
PIN 38 (4.43MHz CRYSTAL)

This is a 4.43MHz x'tal connecting pin.



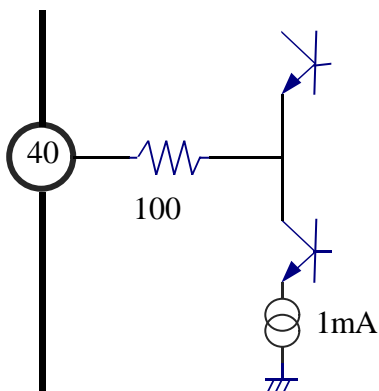
PIN 39(CHROME APC1 FILTER)

This is a filter pin for APC filter of chrome VCO.



PIN 40(SELECTED VIDEO OUTPUT)

This is a output pin of selected video signal. This signal, which is selected by a video switch among 42 pin or 44 pin input signal, is amplified 6dB and then output here. The output amplitude is 2Vp-p.

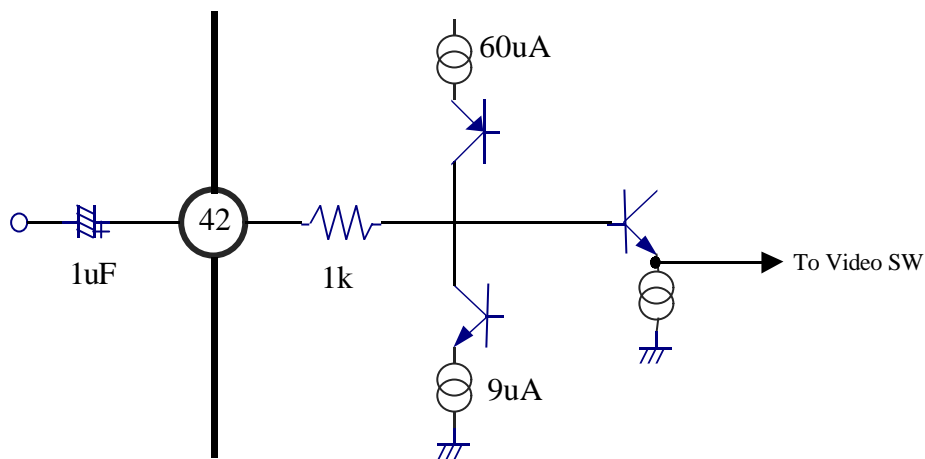


PIN 41(Video Chrome Deflection GND)

This is the ground pin of video/ chrome/ deflection block.

PIN 42(EXT VIDEO INPUT & Y INPUT in S-VHS MODE)

This is an external video input pin. The pedestal level of input signal is clamped at 1/2 Vcc by charging & discharging external capacitor. Besides, this pin becomes input pin of Y signal in S-VHS mode.

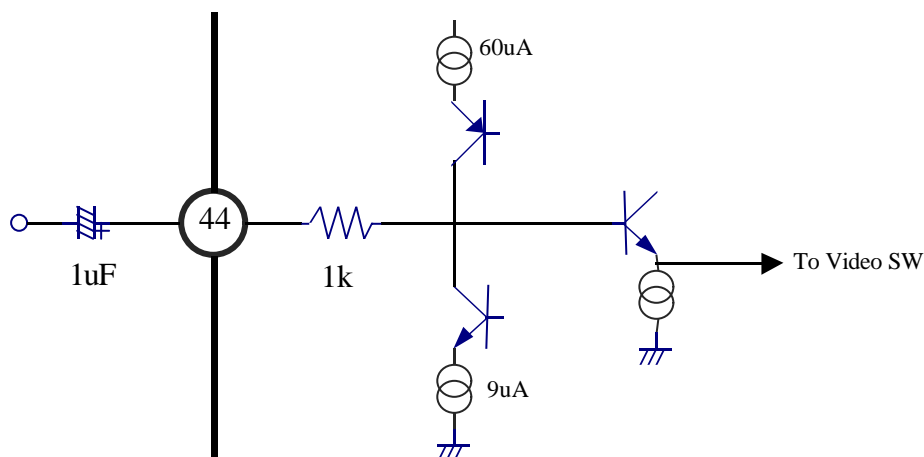


PIN 43(VIDEO CHROME DEFLECTION VCC)

This is a Vcc pin of video/ chrome/ deflection block.

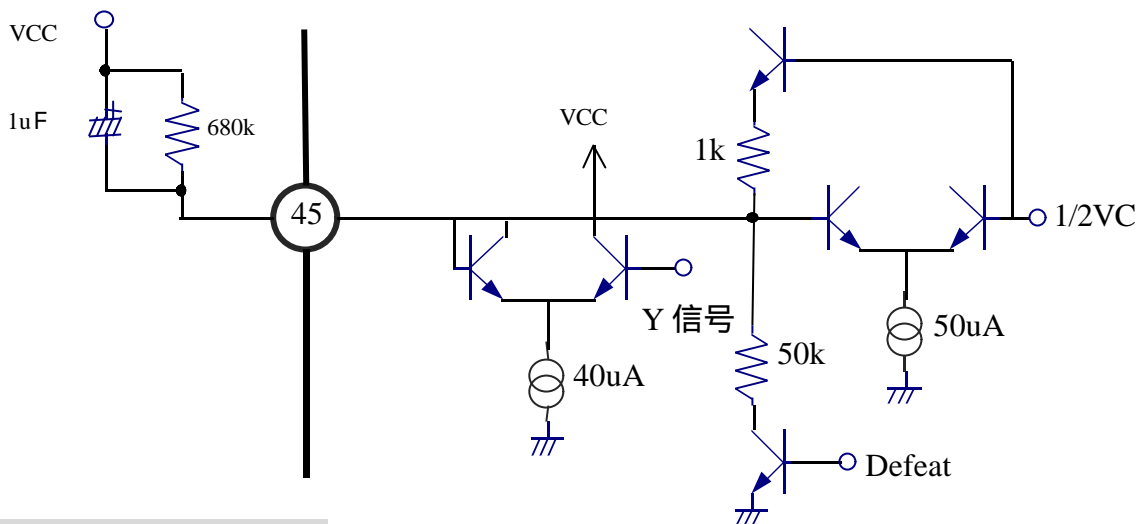
PIN 44(INT. VIDEO INPUT & CHROME SIGNAL INPUT IN S-VHS MODE)

This is an internal video input pin. The pedestal level of input signal is clamped at 1/2 Vcc by charging & discharging external capacity. Besides, this pin become input pin of chrome signal in S-VHS mode.



PIN 45(BLACK STRETCH FILTER)

This is a filter pin for black peak level detection in black stretch circuit. The capacitor is charging during black peak period, and discharging via external CR exclude black peak period. The DC level of the output and the gain of black stretch will be reduced if the value of time constant is large.



PIN 46 (VIDEO OUTPUT)

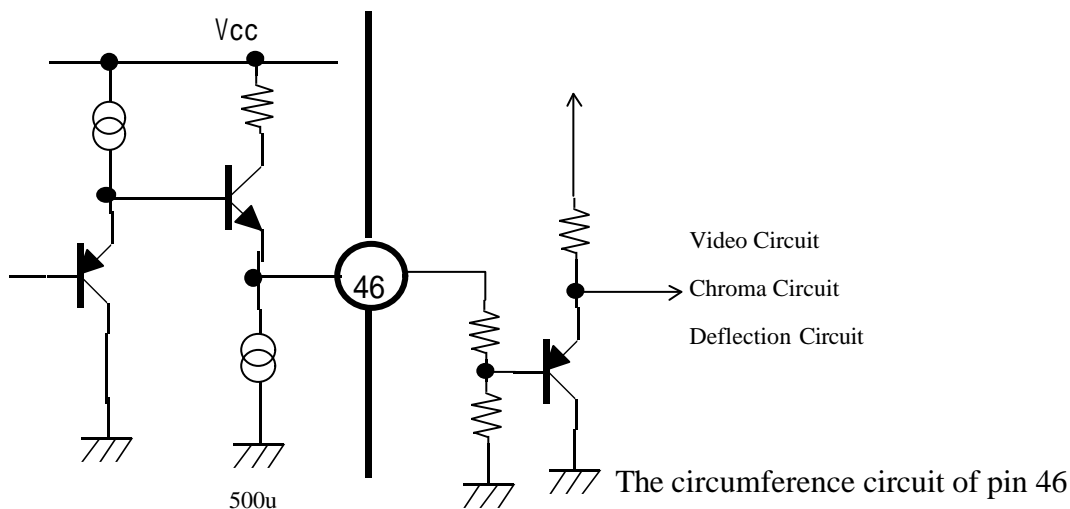
This is a video output pin. The output is a low impedance circuit.

- The video DC output is 3.5V when there is no signal.
- Sync Tip Voltage is 1.2V
- The video amplitude is 2.0Vpp

In addition, there is a Black Noise Inverter Circuit built-in in this IC.

- The threshold voltage of Black Noise Inverter is 0.8V
- The replacement voltage of Black Noise Inverter is 1.9V

The built-in sound trap is linked with the BUS (SIF SYSTEM) that the trap frequency is set automatically depending on the SIF frequency. In order to prevent the unsatisfied drive capacity of amplitude matching (1Vpp) and load (video circuit, chroma circuit, deflection circuit), we recommend application circuit below:



PIN 47 (VCO Filter)

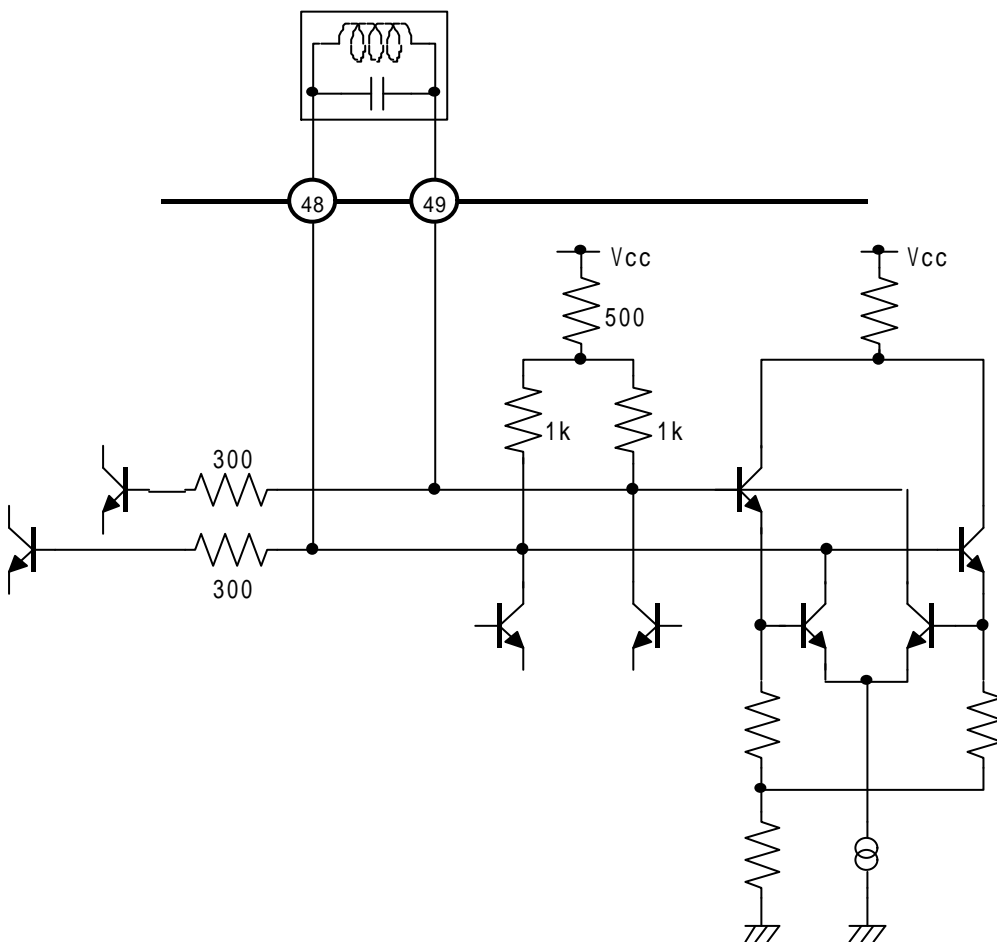
This is a VCO filter pin. The phase of the signals, which are divided from chroma frequency and VCO frequency, will be compared together. Then the discrepancy phase will transform to be current and output to pin 50. This current will smoothed at the external capacitor and the free-run frequency of IF VCO is controlled at center. If the value of external capacitor is large enough, it can prevent the unstable of free-run frequency from floating input frequency or external noise. But the time constant becomes longer at the same time when power on. Therefore, the recommend value of this capacitor is 0.47uF.

www.DataSheet4U.com

PIN 48, 49 (VCO COIL)

This are L & C connecting pin for IF PLL VCO. This is a vector synthesis VCO. An exclusive VCO coil can be used according to the IF frequency. The BUS setting is depending on the detection VIF frequency which shown below:

VIF Frequency	BUS setting
38.0MHz	'00'
38.9MHz	'01'
45.75MHz	'10'
39.5MHz	'11'

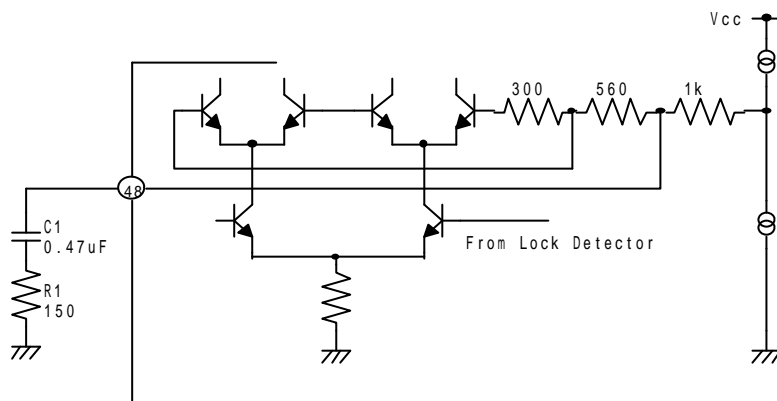


The circumference circuit of pin 48 & 49

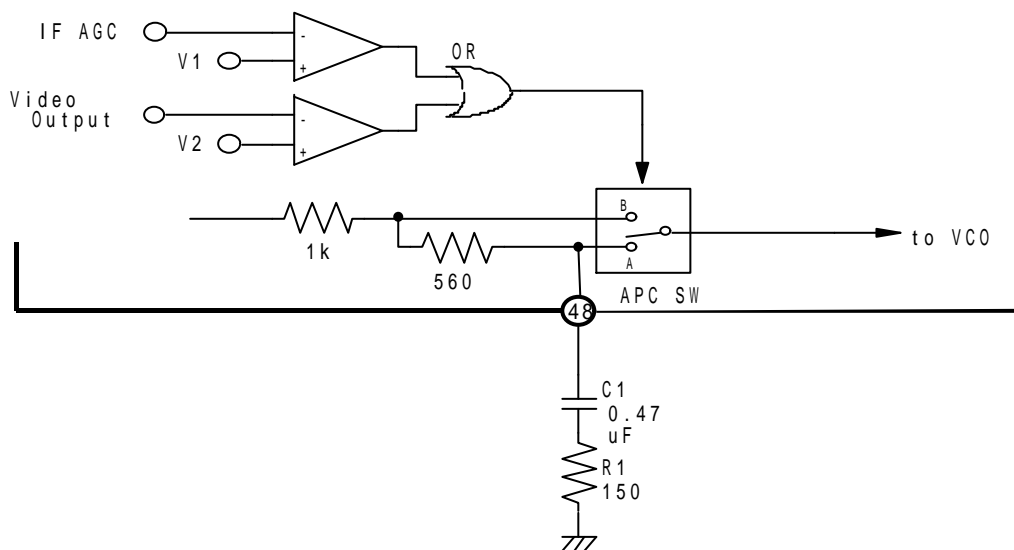
PIN 50 (PIF APC FILTER)

This is a APC filter pin for PLL circuit. It is connected with a APC switch, and the time constant can be switched by lock detection circuit. First, the APC loop gain is determined by the time constant (R1 & C1). If R1 is increased, the loop gain will increase and the pull-in range will increase as well. But, the characteristic of the noise sensitivity will degrade at the same time, therefore our recommended value for R1 is 150Ω. In the other hand, the time constant of APC loop is determined by the capacitor C1 and the internal resistor inside IC. Therefore, if the capacitor C1 is variable, the time constant of loop will change largely by every step. We recommended the value of C1 is 0.47uF.

In addition, the lock detector circuit operate according to an OR gate whose input are IF AGC voltage and the video signal. At the comparator, the PLL unlocked state of weak signal is detected from IF AGC voltage and the PLL unlocked state when detuned is detected from the video signal. Then the APC switch is switched to B position to expand the pull-in range.



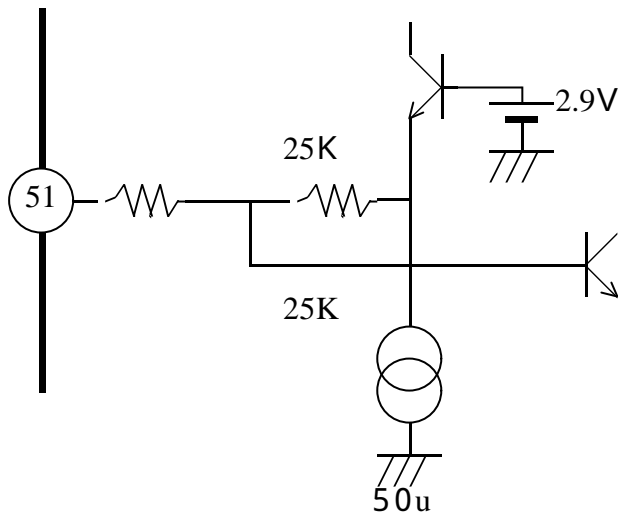
(a) The circumference circuit of pin 47



(b) The circumference circuit of pin 47

PIN 51 (EXT AUDIO INPUT)

This is an external audio signal input. The input impedance is about 50k and the DC voltage is biased at about 2.9V. There is necessary to use a coupling capacitor to combine with it.

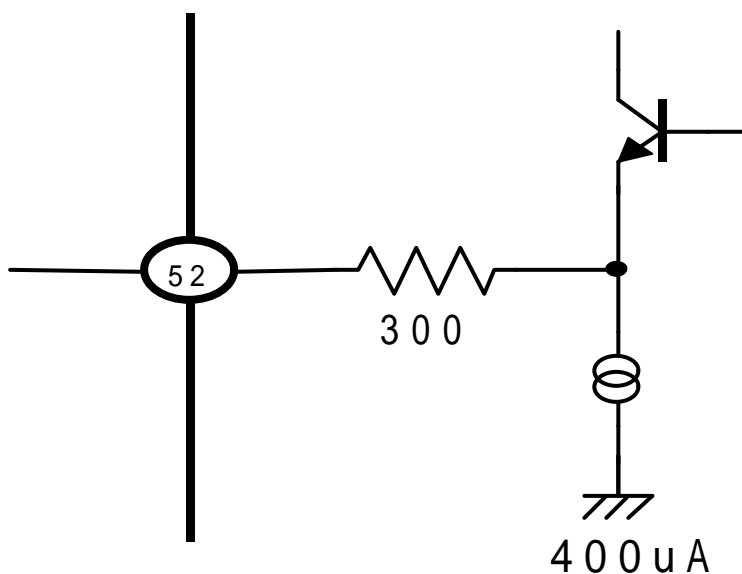


The circumference circuit of pin 51

PIN 52 (SIF OUTPUT)

This is a SIF output pin. The output of this pin is used when a NICAM IC is used. The output of this pin is a follow-emitter, so its output impedance is about 350Ω. And the DC output of this pin is about 2.8V.

If a signal, whose P/S is 25dB, is input into IC, a 100dBu Snd will be outputted.



The circumference circuit of pin 52

PIN 53 (SND APC FILTER)

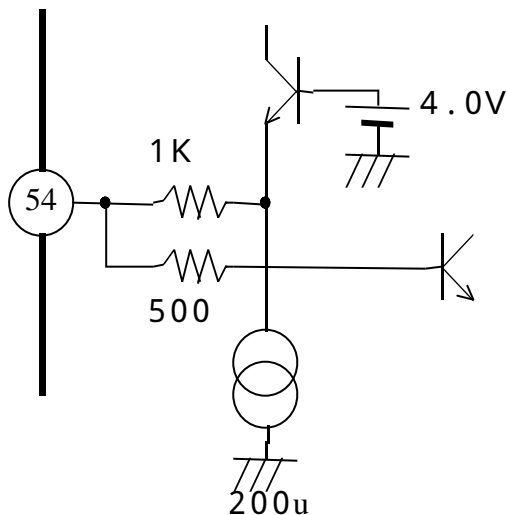
This is a SND APC FILTER pin. The phase of the signals, which are divided from chroma frequency and Snd-VCO frequency, will be compared together. Then the discrepancy phase will transform to be current and output to pin 53. This current will smoothed at the external capacitor of pin 53 and control Snd-VCO.

BUS: The dividing ratio of Snd-VCO, which is depending on the SIF system, is variable. The oscillator frequency of Snd-VCO is locked at the frequency which is 500k apart from SIF frequency.

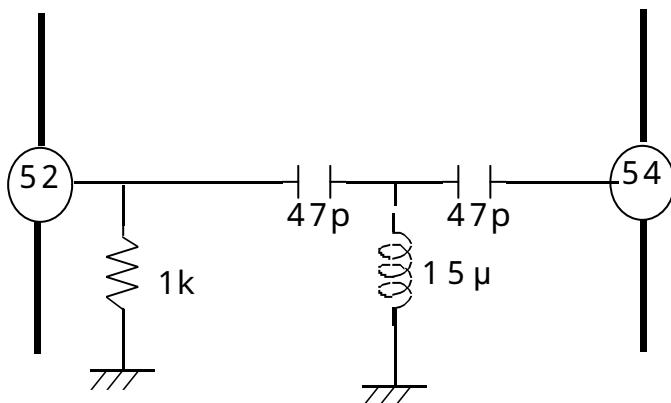
www.DataSheet4U.com

PIN 54 (SIF INPUT)

This is a SIF input pin. The input impedance is about 1k and the internal DC voltage is biased at about 3.3V. The maximum input for this pin is 96dBu. To improve the buzz characteristic, we recommend the application circuit as below:



The circumference circuit of pin 54



Recommended application circuit

LA76818 Pin Assignment

Pin	Function	Pin	Function
1	Audio Output	54	SIF Input
2	FM Output/Selected Audio Output	53	SIF APC Filter
3	PIF AGC	52	SIF Output
4	RF AGC Output	51	Ext. Audio Input
5	PIF Input1	50	APC Filter
6	PIF Input2	49	VCO Coil 1
7	IF Ground	48	VCO Coil 2
8	IF Vcc	47	VCO Filter
9	FM Filter	46	Video Output
10	AFT Output	45	Black Level Detector
11	Bus Data	44	Internal Video Input (S-C IN)
12	Bus Clock	43	Video/Vertical Vcc
13	ABL	42	External Video Input (Y In)
14	Red Input	41	Video/Vertical Bus Ground
15	Green Input	40	Selected Video Output
16	Blue Input	39	Chroma APC1 Filter
17	Fast Blanking Input	38	4.43MHz Crystal
18	RGB Vcc	37	Clamp Filter
19	Red Output	36	Chroma APC2 Filter
20	Green Output	35	SECAM R-Y Input(Cr input)
21	Blue Output	34	SECAM B-Y input(Cb input)
22	Fsc output/C-Sync output	33	CCD/Horizontal Ground
23	Vertical Output	32	CCD Filter
24	Ramp ALC Filter	31	CCD Vcc
25	Horizontal/Bus Vcc	30	Clock (4MHz) Output
26	Horizontal/AFC Filter	29	VCO IREF
27	Horizontal Output	28	Flyback Pulse Input

LA76818 Bus Control Resistor Bit Allocation Map

IC Address (Write): 10111010

Control Register Bit Allocations									
Sub Address	MSB		DATA BITS					LSB	
	DA0	DA1	DA2	DA3	DA4	DA5	DA6	DA7	
00000000	T_Disable 1	AFC gain&gate 0	H.FREQ 1	1	1	1	1	1	
00001	Vreset Timing 0	Audio.Mute 0	Video.Mute 0	H.PAHSE 1	0	0	0	0	
00010	Sync.Kill 0	V.SIZE 1 0 0 0 0 0 0 0							
00011	VSEPUP 0	V.KILL 0	V.POSI 1 0 0 0 0 0 0						
00100	H BLK L 1 0 0			V.LIN 1 0 0 0 0 0					
00101	H BLK R 1 0 0			V.SC 0 0 0 0 0 0					
00110	V.TEST 0 0		V.COMP 1 1 1			COUNT.DOWN.MODE 0 0 0			
00111	R.BIAS 0 0 0 0 0 0 0 0								
01000	G.BIAS 0 0 0 0 0 0 0 0								
01001	B.BIAS 0 0 0 0 0 0 0 0								
01010	RGB.Test4 0	R.DRIVE 1 1 1 1 1 1 1 1							
01011	Drive.Test 0	Half tone 0 1		Half tone Def 1	G.DRIVE 1 0 0 0				
01100	A2.SW 0	B.DRIVE 1 1 1 1 1 1 1 1							
01101	Blank.Def 0	Sub.Bias 1 0 0 0 0 0 0 0							
01110	A.MONI.SW 0	Bright 1 0 0 0 0 0 0 0							
01111	S.TRAP.SW 0	Contrast 1 0 0 0 0 0 0 0							

(Bits are transmitted in this order.)

IC Address (Write): 10111010

Control Register Bit Allocations (continued)								
Sub Address	MSB DATA BITS LSB							
	DA0	DA1	DA2	DA3	DA4	DA5	DA6	DA7
00010000	OSD Cnt.Test 0	OSD Contrast						
		1	0	0	0	0	0	0
10001	Coring Gain(W/Defeat)		Sharpness					
	0	0	0	0	0	0	0	0
10010	Tint.Test 0	Tint						
		1	0	0	0	0	0	0
10011	Color.Test 0	Color						
		1	0	0	0	0	0	0
10100	Video SW 0	Trap Test			Filter.Sys			
		1	0	0	0	0	1	0
10101	Gray Mode 0	Cross B/W		CbCr_IN 0	G-Y Angle (0)	Color killer ope.		
		0	0	0		0	0	0
10110	VBLK SW 0	FBPBLK.SW 1	fsc or Csync 0	Y_APF 0	Pre/Over-shoot adj.		WPL Ope. Point(W/Defeat)	
					0	0	0	0
10111	Y Gamma Start		DC.Rest		Blk.Str.start(W/Defeat)		Blk.Str.Gain	
	0	0	0	0	0	0	0	0
11000	Auto.Flesh 0	C.Ext 0	C.Bypass 1	C_Kill ON 0	C_Kill OFF 0	Color.Sys		
						0	0	0
11001	Cont.Test 0	Digital OSD 0	Brt.Abl.Def 0	Mid.Stp.Def 0	RGB Temp SW 0	Bright.Abl.Threshold		
						1	0	0
11010	R-Y/B-Y Gain Balance				R-Y/B-Y Angle			
	1	0	0	0	1	0	0	0
11011	B-Y DC Level (White-Balance)				R-Y DC Level (White-Balance)			
	1	0	0	0	1	0	0	0
11100	Audio SW 0	Volume						
		0	0	0	0	0	0	0
11101	OVER.MODSW 0	VOL.FIL 0	RF.AGC					
			1	0	0	0	0	0
11110	FM.Mute 0	deem.TC 0	VIF.Sys.SW		SIF.Sys.SW		FM.Gain	IF.AGC
			0	1	0	1	0	0
11111	VIDEO.LEVEL			FM.LEVEL				
	1	0	0	1	0	0	0	0

(Bits are transmitted in this order.)

IC Address (Write): 10111010

Control Register Bit Allocations (continued)									
Sub Address	MSB		DATA BITS					LSB	
	DA0	DA1	DA2	DA3	DA4	DA5	DA6	DA7	
00100000	Pre/Over SW* 0	C.VCO Adj SW 0	*	*	*	*	*	*	
	(0)	(0)	(0)	(0)	(0)	(0)	(0)	(0)	
100001	C.VCO Adjust		*	*	*	*	*	*	
	0	0	(0)	(0)	(0)	(0)	(0)	(0)	
100010	*	Tint.Through	*	*	*	*	*	*	
	(0)	0	(0)	(0)	(0)	(0)	(0)	(0)	
100011	*	*	*	*	*	*	*	*	
	(0)	(0)	(0)	(0)	(0)	(0)	(0)	(0)	
100100	*	Hlock.Vdet	*	*	*	*	*	*	
	(0)	1	(0)	(0)	(0)	(0)	(0)	(0)	
100101	VIDEO.LEVEL.OFFSET		IF.TEST1		OVER.MOD.LEVEL				
	0	1	0	0	1	0	0	0	

(Bits are transmitted in this order.)

IC Address (READ): 10111011

Status Register Bit Allocations									
	MSB		DATA BITS					LSB	
	DA0	DA1	DA2	DA3	DA4	DA5	DA6	DA7	
Status1	*	*	*	RF.AGC	IF.LOCK	V.TRI	50/60	ST/NONST	
	(0)	(0)	*	*	*	*	*	*	
Status2	H.Lock	*	*	Killer	*	Color.Sys			
	*	(1)	(1)	*	(1)	*	*	*	

(Bits are transmitted in this order.)