

Features

- This Circuit is Processed in Accordance to MIL-STD-883 and is Fully Conformant Under the Provisions of Paragraph 1.2.1.
- Low Offset Drift 0.4 μ V/ $^{\circ}$ C (Max)
- Low Offset Voltage 75 μ V (Max)
- High Gain 120dB(1MV/V) (Min)
- High CMRR 106dB (Min)
- High PSRR 94dB (Min)
- Low Supply Current 1.7mA (Max)
- Low Noise Voltage Density at 1kHz 9nV/ $\sqrt{\text{Hz}}$ (Max)
- Low Noise Current Density at 1kHz 0.4pA/ $\sqrt{\text{Hz}}$ (Max)

Applications

- High Gain Instrumentation
- Precision Data Acquisition
- Precision Integrators
- Biomedical Amplifiers
- Precision Threshold Detectors

Description

The HA-5135/883 is a precision operational amplifier manufactured using a combination of key technological advancements to provide outstanding input characteristics.

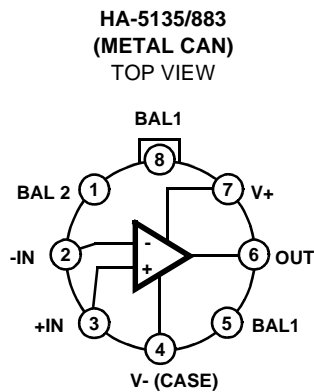
A high Beta input stage is combined with laser trimming, dielectric isolation, and matching techniques to produce 75 μ V (max) input offset voltage and 0.4 μ V/ $^{\circ}$ C (max) input offset voltage average drift. Other features enhanced by this process include 9nV/ $\sqrt{\text{Hz}}$ (typ) Input Noise Voltage, 4nA Input Bias Current (max) and 120dB Open Loop Gain (min).

These features coupled with 106dB CMRR and 94dB PSRR make HA-5135/883 an ideal device for precision D.C. instrumentation amplifiers. Excellent input characteristics in conjunction with 0.6MHz (min) bandwidth and 0.5V/ μ s (min) slew rate, makes this amplifier extremely useful for precision integrator and biomedical amplifier designs. These amplifiers are also well suited for precision data acquisition and for accurate threshold detector applications.

Ordering Information

PART NUMBER	TEMPERATURE RANGE	PACKAGE
HA2-5135/883	-55 $^{\circ}$ C to +125 $^{\circ}$ C	8 Pin Can

Pinout



Absolute Maximum Ratings

Voltage Between V+ and V- Terminals	40V
Differential Input Voltage (Note 2)	7V
Voltage at Either Input Terminal	V+ to V-
Input Current	25mA
Output Current	Full Short Circuit Protection
Junction Temperature (T _J)	+175°C
Storage Temperature Range	-65°C to +150°C
ESD Rating	<2000V
Lead Temperature (Soldering 10s)	+300°C

Thermal Information

Thermal Resistance	θ_{JA}	θ_{JC}
Metal Can Package	160°C/W	70°C/W
Package Power Dissipation Limit at +75°C for T _J ≤ +175°C		
Metal Can Package	645mW	
Package Power Dissipation Derating Factor Above +75°C		
Metal Can Package	6.5mW/°C	

CAUTION: Stresses above those listed in "Absolute Maximum Ratings" may cause permanent damage to the device. This is a stress only rating and operation of the device at these or any other conditions above those indicated in the operational sections of this specification is not implied.

NOTE:

1. θ_{JA} is measured with the component mounted on a low effective thermal conductivity test board in free air. See Tech Brief TB379 for details.

Operating Conditions

Operating Temperature Range	-55°C to +125°C	$V_{INCM} \leq 1/2 (V+ - V-)$
Operating Supply Voltage	±15V	$R_L \geq 600\Omega$

TABLE 1. DC ELECTRICAL PERFORMANCE CHARACTERISTICS

Device Tested at: V_{SUPPLY} = ±15V, R_{SOURCE} = 50Ω, R_{LOAD} = 100kΩ, V_{OUT} = 0V, Unless Otherwise Specified.

PARAMETERS	SYMBOL	CONDITIONS	GROUP A SUBGROUPS	TEMPERATURE	LIMITS		UNITS
					MIN	MAX	
Input Offset Voltage	V _{IO}	V _{CM} = 0V	1	+25°C	-75	75	μV
			2, 3	+125°C, -55°C	-130	130	μV
Input Bias Current	I _B	V _{CM} = 0V, R _S = 10kΩ, 50Ω $\left(\frac{ +I_B + -I_B }{2}\right)$	1	+25°C	-4	4	nA
			2, 3	+125°C, -55°C	-6	6	nA
Input Offset Current	I _{IO}	V _{CM} = 0V, +R _S = 10kΩ, -R _S = 10kΩ	1	+25°C	-4	4	nA
			2, 3	+125°C, -55°C	-5.5	5.5	nA
Common Mode Range	+CMR	V+ = +3V, V- = -27V	1	+25°C	12	-	V
			2, 3	+125°C, -55°C	12	-	V
	-CMR	V+ = +27V, V- = -3V	1	+25°C	-	-12	V
			2, 3	+125°C, -55°C	-	-12	V
Large Signal Voltage Gain	+A _{VOL}	V _{OUT} = 0V and +10V, R _L = 2kΩ	4	+25°C	120	-	kV/V
			5, 6	+125°C, -55°C	120	-	kV/V
	-A _{VOL}	V _{OUT} = 0V and -10V, R _L = 2kΩ	4	+25°C	120	-	kV/V
			5, 6	+125°C, -55°C	120	-	kV/V
Common Mode Rejection Ratio	+CMRR	ΔV _{CM} = +10V, V+ = +5V, V- = -25V, V _{OUT} = -10V	1	+25°C	106	-	dB
			2, 3	+125°C, -55°C	106	-	dB
	-CMRR	ΔV _{CM} = -10V, V+ = +25V, V- = -5V, V _{OUT} = +10V	1	+25°C	106	-	dB
			2, 3	+125°C, -55°C	106	-	dB
Output Voltage Swing	+V _{OUT}	R _L = 600Ω	4	+25°C	10	-	V
			5, 6	+125°C, -55°C	10	-	V
	-V _{OUT}	R _L = 600Ω	4	+25°C	-	-10	V
			5, 6	+125°C, -55°C	-	-10	V
Output Current	+I _{OUT}	V _{OUT} = -10V	4	+25°C	15	-	mA
	-I _{OUT}	V _{OUT} = +10V	4	+25°C	-	-15	mA

TABLE 1. DC ELECTRICAL PERFORMANCE CHARACTERISTICS (Continued)

Device Tested at: $V_{SUPPLY} = \pm 15V$, $R_{SOURCE} = 50\Omega$, $R_{LOAD} = 100k\Omega$, $V_{OUT} = 0V$, Unless Otherwise Specified.

PARAMETERS	SYMBOL	CONDITIONS	GROUP A SUBGROUPS	TEMPERATURE	LIMITS		UNITS
					MIN	MAX	
Quiescent Power Supply Current	+I _{CC}	V _{OUT} = 0V, I _{OUT} = 0mA	1	+25°C	-	1.7	mA
			2, 3	+125°C, -55°C	-	1.7	mA
	-I _{CC}	V _{OUT} = 0V, I _{OUT} = 0mA	1	+25°C	-1.7	-	mA
			2, 3	+125°C, -55°C	-1.7	-	mA
Power Supply Rejection Ratio	+PSRR	$\Delta V_{SUP} = 10V$, V ₊ = +5V, V ₋ = -15V, V ₊ = +15V, V ₋ = -15V	1	+25°C	94	-	dB
			2, 3	+125°C, -55°C	94	-	dB
	-PSRR	$\Delta V_{SUP} = 10V$, V ₊ = +15V, V ₋ = -5V, V ₊ = +15V, V ₋ = -15V	1	+25°C	94	-	dB
			2, 3	+125°C, -55°C	94	-	dB
Offset Voltage Adjustment	+V _{IOAdj}	Note 1	1	+25°C	V _{IO} -1	-	mV
			2, 3	+125°C, -55°C	V _{IO} -1	-	mV
	-V _{IOAdj}	Note 1	1	+25°C	V _{IO} +1	-	mV
			2, 3	+125°C, -55°C	V _{IO} +1	-	mV

NOTES:

1. Offset adjustment range is [V_{IO} (Measured $\pm 1mV$)] minimum referred to output. This test is for functionality only to assure adjustment through 0V.
2. The input stage has series 500 Ω resistors along with back to back diodes. This provides large differential input voltage protection for a slight increase in noise voltage.

TABLE 2. AC ELECTRICAL PERFORMANCE CHARACTERISTICS

Device Tested at: $V_{SUPPLY} = \pm 15V$, $R_{SOURCE} = 50\Omega$, $R_{LOAD} = 2k\Omega$, $C_{LOAD} = 50pF$, $A_{VCL} = +1V/V$, Unless Otherwise Specified.

PARAMETERS	SYMBOL	CONDITIONS	GROUP A SUBGROUPS	TEMPERATURE	LIMITS		UNITS
					MIN	MAX	
Slew Rate	+SR	V _{OUT} = -3V to +3V, V _{IN} S.R. $\leq 25V/\mu s$	7	+25°C	0.5	-	V/ μs
	-SR	V _{OUT} = +3V to -3V, V _{IN} S.R. $\leq 25V/\mu s$	7	+25°C	0.5	-	V/ μs

TABLE 3. ELECTRICAL PERFORMANCE CHARACTERISTICS

Device Characterized at: $V_{SUPPLY} = \pm 15V$, $R_{LOAD} = 2k\Omega$, $C_{LOAD} = 50pF$, $A_V = +1V/V$, Unless Otherwise Specified.

PARAMETERS	SYMBOL	CONDITIONS	NOTES	TEMPERATURE	LIMITS		UNITS
					MIN	MAX	
Average Offset Voltage Drift	V _{IO} TC	V _{CM} = 0V	1	-55°C to +125°C	-	1.3	$\mu V/^\circ C$
Differential Input Resistance	R _{IN}	V _{CM} = 0V	1	+25°C	20	-	M Ω
Average Offset Current Drift	I _{IO} TC	Versus Temperature V _{CM} = 0V	1	-55°C to +125°C	-	40	pA/ $^\circ C$
Average Bias Current Drift	I _B TC	Versus Temperature V _{CM} = 0V	1	-55°C to +125°C	-	40	pA/ $^\circ C$
Input Noise Voltage Density	E _N	R _S = 20 Ω , f ₀ = 1kHz	1	+25°C	-	11	nV/ \sqrt{Hz}

TABLE 3. ELECTRICAL PERFORMANCE CHARACTERISTICS (Continued)

Device Characterized at: $V_{SUPPLY} = \pm 15V$, $R_{LOAD} = 2k\Omega$, $C_{LOAD} = 50pF$, $A_V = +1V/V$, Unless Otherwise Specified.

PARAMETERS	SYMBOL	CONDITIONS	NOTES	TEMPERATURE	LIMITS		UNITS
					MIN	MAX	
Input Noise Current Density	I_N	$R_S = 2M\Omega$, $f_O = 1kHz$	1	+25°C	-	0.4	pA/√Hz
Unity Gain Bandwidth	UGBW	$V_{OUT} = \pm 100mV$, f_O at -3dB	1	+25°C	600	-	kHz
Full Power Bandwidth	FPBW	$V_{PEAK} = 10V$	1, 2	+25°C	8	-	kHz
Minimum Closed Loop Stable Gain	CLSG	$R_L = 2k\Omega$, $C_L = 50pF$	1	-55°C to +125°C	+1	-	V/V
Output Resistance	R_{OUT}	Open Loop	1	+25°C	-	80	Ω
Power Consumption	PC	$V_{OUT} = 0V$, $I_{OUT} = 0mA$	1, 3	-55°C to +125°C	-	51	mW

NOTES:

- Parameters listed in Table 3 are controlled via design or process parameters and are not directly tested at final production. These parameters are lab characterized upon initial design release, or upon design changes. These parameters are guaranteed by characterization based upon data from multiple production runs which reflect lot to lot and within lot variation.
- Full Power Bandwidth guarantee based on Slew Rate measurement using $FPBW = Slew\ Rate / (2\pi V_{PEAK})$.
- Power Consumption based upon Quiescent Supply Current test maximum. (No load on outputs.)

TABLE 4. ELECTRICAL TEST REQUIREMENTS

MIL-STD-883 TEST REQUIREMENTS	SUBGROUPS (SEE TABLES 1 AND 2)
Interim Electrical Parameters (Pre Burn-In)	1
Final Electrical Test Parameters	1 (Note 1), 2, 3, 4, 5, 6, 7
Group A Test Requirements	1, 2, 3, 4, 5, 6, 7
Groups C and D Endpoints	1

NOTE:

- PDA applies to Subgroup 1 only.

Die Characteristics

DIE DIMENSIONS:

72 x 103 x 19 mils ± 1 mils
 1840 x 2620 x 483µm ± 25.4µm

METALLIZATION:

Type: Al, 1% Cu
 Thickness: 16kÅ ± 2kÅ

GLASSIVATION:

Type: Nitride (Si3N4) over Silox (SiO2, 5% Phos.)
 Silox Thickness: 12kÅ ± 2kÅ
 Nitride Thickness: 3.5kÅ ± 1.5kÅ

WORST CASE CURRENT DENSITY:

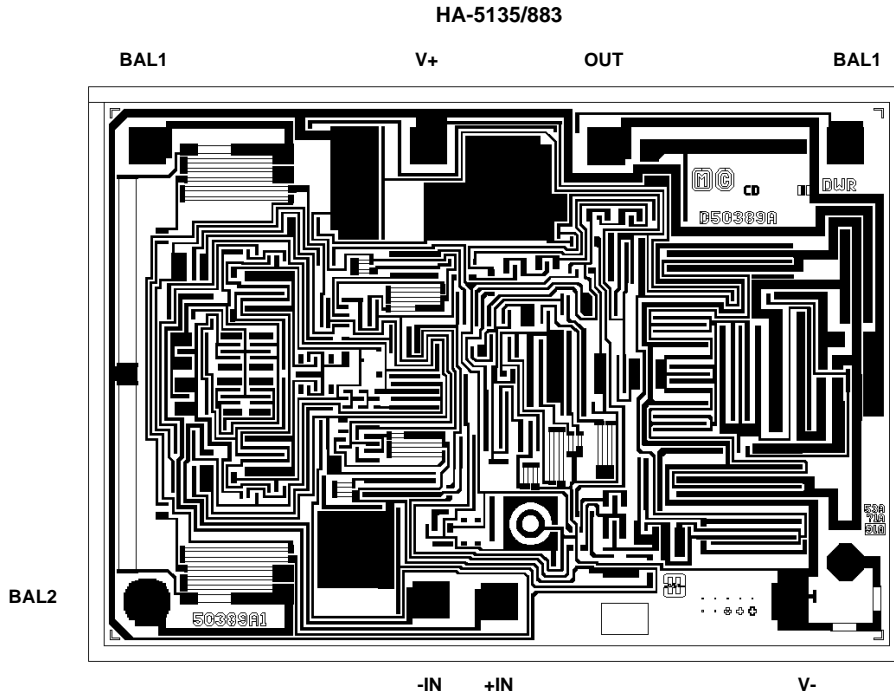
6.0 x 10⁴A/cm²

SUBSTRATE POTENTIAL (Powered Up): V-

TRANSISTOR COUNT: 71

PROCESS: Bipolar Dielectric Isolation

Metallization Mask Layout



All Intersil U.S. products are manufactured, assembled and tested utilizing ISO9000 quality systems. Intersil Corporation's quality certifications can be viewed at www.intersil.com/design/quality

Intersil products are sold by description only. Intersil Corporation reserves the right to make changes in circuit design, software and/or specifications at any time without notice. Accordingly, the reader is cautioned to verify that data sheets are current before placing orders. Information furnished by Intersil is believed to be accurate and reliable. However, no responsibility is assumed by Intersil or its subsidiaries for its use; nor for any infringements of patents or other rights of third parties which may result from its use. No license is granted by implication or otherwise under any patent or patent rights of Intersil or its subsidiaries.

For information regarding Intersil Corporation and its products, see www.intersil.com

Sales Office Headquarters

NORTH AMERICA
 Intersil Corporation
 7585 Irvine Center Drive
 Suite 100
 Irvine, CA 92618
 TEL: (949) 341-7000
 FAX: (949) 341-7123

Intersil Corporation
 2401 Palm Bay Rd.
 Palm Bay, FL 32905
 TEL: (321) 724-7000
 FAX: (321) 724-7946

EUROPE
 Intersil Europe Sarl
 Ave. William Graisse, 3
 1006 Lausanne
 Switzerland
 TEL: +41 21 6140560
 FAX: +41 21 6140579

ASIA
 Intersil Corporation
 Unit 1804 18/F Guangdong Water Building
 83 Austin Road
 TST, Kowloon Hong Kong
 TEL: +852 2723 6339
 FAX: +852 2730 1433