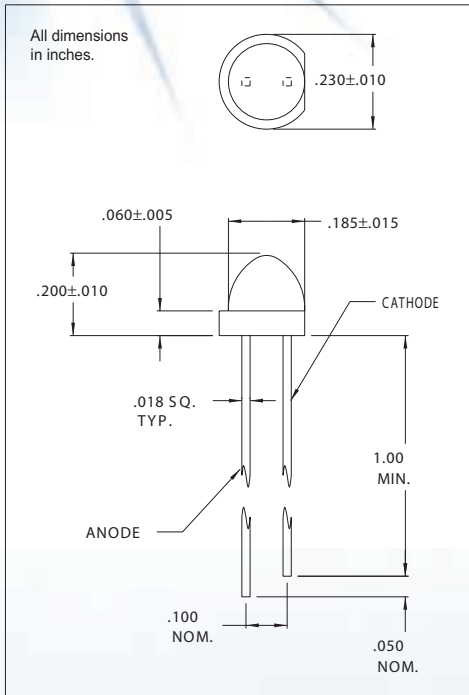


WORLDWIDE



4304S Solid State LED Lamps -High Brite Low Profile T-1 3/4 (5mm)

DESCRIPTION AND FEATURES



- High Brite
- Wide viewing angle

ELECTRO-OPTICAL CHARACTERISTICS AND RATINGS

PART NUMBER	4304S1	4304S5	4304S7
Output Color	Red	Green	Yellow
Diffusion	Diffused	Diffused	Diffused
Package Color	Red	Green	Yellow
Test Current (mA)	10	10	10
Forward Voltage Typ. (V)	1.9	2.1	2.0
Forward Voltage Max. (V)	2.4	2.7	2.4
Luminous Intensity Min. (mcd)	5	6.7	2.5
Luminous Intensity Typ. (mcd)	7	10	4
Luminous Intensity Max. (mcd)	-	-	-
Peak Wavelength (nm)	635	565	583
Viewing Angle 2θ 1/2 (degrees)	50	50	50
Power Dissipation (mW)	105	180	105
Capacitance @ V=0 (pF)	45	20	45



America:
 CML Innovative Technologies, Inc.
 147 Central Avenue
 Hackensack -NJ 07601 -USA
 Tel:1-201-489 -8989
 Fax:1-201-489 -6911
 e-mail:americas@cml-it.com

Europe:
 CML Technologies GmbH &Co.KG
 Robert-Bunsen-Str.1
 67098 Bad Dürkheim -GERMANY
 Tel:+49 (0)6322 9567-0
 Fax:+49 (0)6322 9567-88
 e-mail:europe@cml-it.com

Asia:
 CML Innovative Technologies, Inc.
 61 Aida Street
 Singapore 459975
 Tel:(65)9630 -5003
 e-mail:asia@cml-it.com

4304S Solid State LED Lamps - High Brite Low Profile T-1 3/4 (5mm)