

PLEASE CHECK WWW.MOLEX.COM FOR LATEST PART INFORMATION

Part Number: [0039013049](#)
Status: **Active**
Overview: [minifit_jr](#)
Description: 4.20mm (.165") Pitch Mini-Fit Jr.™ Plug Housing, Dual Row, without Panel Mount Ears, PA Polyamide Nylon 6/6, UL 94V-0, 4 Circuits

Documents:

[3D Model](#) [Product Specification PS-5556-001 \(PDF\)](#)
[Drawing \(PDF\)](#) [RoHS Certificate of Compliance \(PDF\)](#)

Agency Certification

| | |
|-----|-----------|
| CSA | LR19980 |
| TUV | R72081037 |
| UL | E29179 |

General

| | |
|----------------|---|
| Product Family | Crimp Housings |
| Series | 5559 |
| Comments | Current = 13A max. per circuit when header is mated to a receptacle loaded with 45750 series terminals crimped to 16 AWG wire. . See Molex product specification PS-45750-001 for additional current derating information.. Glow Wire Equivalent Part Number 50361679 |
| Overview | minifit_jr |
| Product Name | Mini-Fit Jr.™ |

Physical

| | |
|-------------------------------|-----------------|
| Breakaway | No |
| Circuits (maximum) | 4 |
| Color - Resin | Natural |
| Flammability | 94V-0 |
| Gender | Male |
| Glow-Wire Compliant | No |
| Keying to Mating Part | None |
| Lock to Mating Part | Yes |
| Material - Resin | Nylon |
| Number of Rows | 2 |
| Packaging Type | Bag |
| Panel Mount | No |
| Pitch - Mating Interface (in) | 0.165 In |
| Pitch - Mating Interface (mm) | 4.20 mm |
| Pitch - Term. Interface (in) | 0.165 In |
| Pitch - Term. Interface (mm) | 4.20 mm |
| Polarized to Mating Part | Yes |
| Stackable | No |
| Temperature Range - Operating | -40°C to +105°C |

Electrical

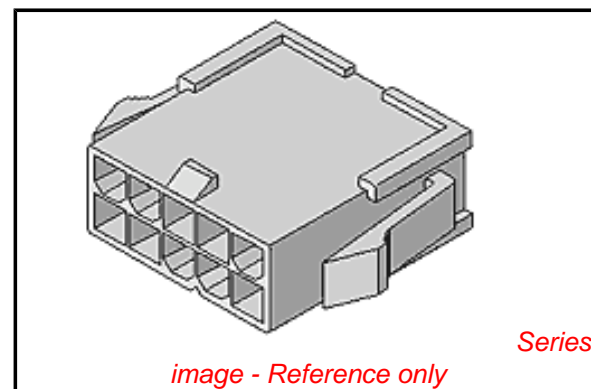
| | |
|-------------------------------|-----|
| Current - Maximum per Contact | 13A |
|-------------------------------|-----|

Material Info

| | |
|-----------------|---------------|
| Old Part Number | 5559-04P1-210 |
|-----------------|---------------|

Reference - Drawing Numbers

| | |
|-------------------------|-------------|
| Packaging Specification | PK-5559-002 |
| Product Specification | PS-5556-001 |



EU RoHS

ELV and RoHS Compliant

REACH SVHC

Not Reviewed

Halogen-Free

Status

Halogen-Free

Need more information on product environmental compliance?

Email productcompliance@molex.com
 For a multiple part number RoHS Certificate of Compliance, [click here](#)

Please visit the [Contact Us](#) section for any non-product compliance questions.

China RoHS



Search Parts in this Series

[5559Series](#)

Mates With

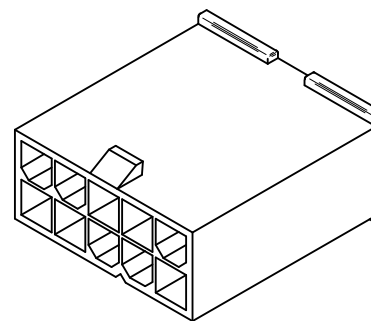
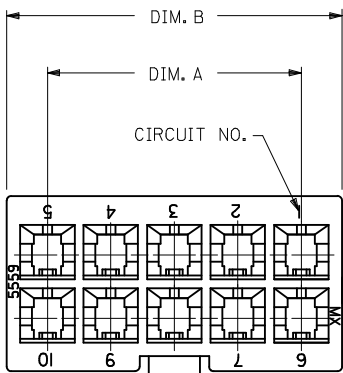
[39013048](#) Receptacle Housing, [39012045](#) Receptacle Housing

Use With

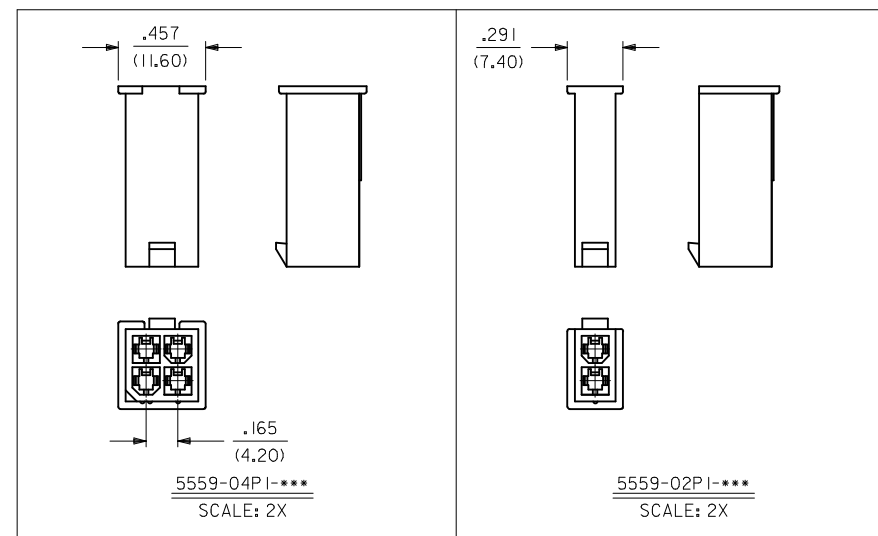
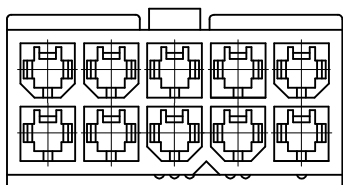
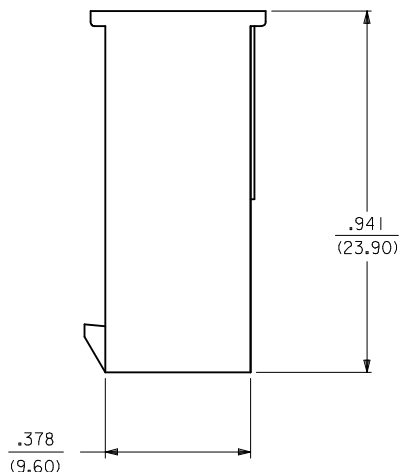
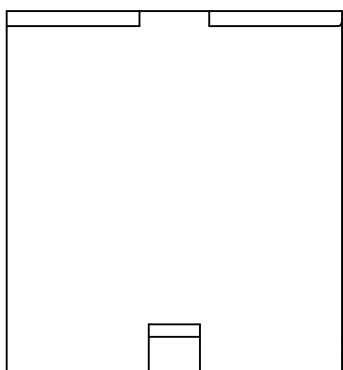
[5558](#) Mini-Fit Jr.™ Male Crimp Terminals.
[44478](#) Mini-Fit HCS™ Male Crimp Terminals. [30490](#) Mini-Fit® Male Grounding Crimp Terminals

This document was generated on 05/19/2010

PLEASE CHECK WWW.MOLEX.COM FOR LATEST PART INFORMATION



| CKT. SIZE | DIM. A | DIM. B |
|-----------|------------------|------------------|
| 6 | .331 (8.40) | .543 (13.80) |
| 8 | .496 (12.60) | .709 (18.00) |
| 10 | .661 (16.80) | .874 (22.20) |
| 12 | .827 (21.00) | 1.039 (26.40) |
| 14 | .992 (25.20) | 1.205 (30.60) |
| 16 | 1.157 (29.40) | 1.370 (34.80) |
| 18 | 1.323 (33.60) | 1.535 (39.00) |
| 20 | 1.488 (37.80) | 1.701 (43.20) |
| 22 | 1.654 (42.00) | 1.866 (47.40) |
| 24 | 1.819 (46.20) | 2.031 (51.60) |



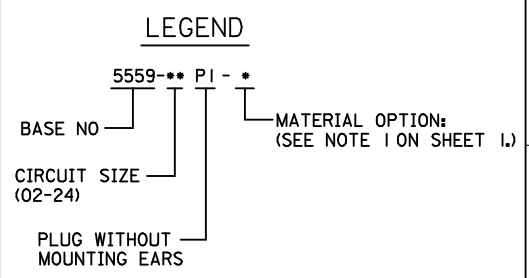
NOTES:

- MATERIAL: BLANK=NYLON 6/6, UL 94V-2, COLOR: NATURAL
BL=NYLON 6/6, UL94V-2, COLOR: BLACK
210=NYLON 6/6, UL 94V-0, COLOR: NATURAL
220=NYLON 6/6, UL 94V-2, U.V. STABILIZED, COLOR: BLACK
- FINISH: N/A
- PRODUCT SPECIFICATION: PS-5556-001
- PACKAGING SPECIFICATION: SEE CHARTS
- THIS PART MATES WITH RECEPTACLE #5557
- THIS PART IS FOR USE WITH MOLEX MALE TERMINAL #5558-*

| ADDED PK SPECS EC NO: UCP2009-0724 DRWN:KLOSTEMEIER 2008/10/01 CHKD:JBELL 2008/10/03 APPR:FSMITH 2008/10/03 | QUALITY SYMBOLS ▽=0 ▽=0 | GENERAL TOLERANCES (UNLESS SPECIFIED) <table border="1"> <thead> <tr> <th></th> <th>mm</th> <th>INCH</th> </tr> </thead> <tbody> <tr> <td>4 PLACES ±</td> <td>---</td> <td>---</td> </tr> <tr> <td>3 PLACES ±</td> <td>---</td> <td>±.015</td> </tr> <tr> <td>2 PLACES ±</td> <td>0.38</td> <td>---</td> </tr> <tr> <td>1 PLACE ±</td> <td>---</td> <td>---</td> </tr> </tbody> </table> | | mm | INCH | 4 PLACES ± | --- | --- | 3 PLACES ± | --- | ±.015 | 2 PLACES ± | 0.38 | --- | 1 PLACE ± | --- | --- | DIMENSION STYLE IN/MM DRAWN BY: RJF DATE: 1989/09/22 CHECKED BY: BAP DATE: 1989/09/22 APPROVED BY: ROS DATE: 1989/09/22 | SCALE: 4:1 DESIGN UNITS: METRIC THIRD ANGLE PROJECTION | SHEET NO. 1 OF 2 |
|---|-------------------------------|---|---------------------------|----|------|------------|-----|-----|------------|-----|-------|------------|------|-----|-----------|-----|-----|--|--|------------------|
| | | mm | INCH | | | | | | | | | | | | | | | | | |
| | 4 PLACES ± | --- | --- | | | | | | | | | | | | | | | | | |
| | 3 PLACES ± | --- | ±.015 | | | | | | | | | | | | | | | | | |
| 2 PLACES ± | 0.38 | --- | | | | | | | | | | | | | | | | | | |
| 1 PLACE ± | --- | --- | | | | | | | | | | | | | | | | | | |
| DRAFT WHERE APPLICABLE MUST REMAIN WITHIN DIMENSIONS | MATERIAL NO. SEE CHART | DOCUMENT NO. SD-5559-NP1* | MOLEX INCORPORATED | | | | | | | | | | | | | | | | | |
| THIS DRAWING CONTAINS INFORMATION THAT IS PROPRIETARY TO MOLEX INCORPORATED AND SHOULD NOT BE USED WITHOUT WRITTEN PERMISSION | | | | | | | | | | | | | | | | | | | | |
| D2 | REV | | | | | | | | | | | | | | | | | | | |

| 13 | 12 | 11 | 10 | 9 |
|-------------|-------------|--------------|----------|-------------------------|
| PART NUMBER | ENG. NUMBER | CIRCUIT SIZE | MATERIAL | PACKAGING SPECIFICATION |
| 39-01-3023 | 5559-02P I | 2 | 94V-2 | PK-5559-002 |
| 39-01-3043 | 5559-04P I | 4 | 94V-2 | BULK |
| 39-01-3063 | 5559-06P I | 6 | 94V-2 | BULK |
| 39-01-3083 | 5559-08P I | 8 | 94V-2 | BULK |
| 39-01-3103 | 5559-10P I | 10 | 94V-2 | BULK |
| 39-01-3123 | 5559-12P I | 12 | 94V-2 | BULK |
| 39-01-3143 | 5559-14P I | 14 | 94V-2 | BULK |
| 39-01-3163 | 5559-16P I | 16 | 94V-2 | BULK |
| 39-01-3183 | 5559-18P I | 18 | 94V-2 | BULK |
| 39-01-3203 | 5559-20P I | 20 | 94V-2 | BULK |
| 39-01-3223 | 5559-22P I | 22 | 94V-2 | BULK |
| 39-01-3243 | 5559-24P I | 24 | 94V-2 | BULK |

| 8 | 7 | 6 | 5 | 4 |
|-------------|-----------------|--------------|----------|-------------------------|
| PART NUMBER | ENG. NUMBER | CIRCUIT SIZE | MATERIAL | PACKAGING SPECIFICATION |
| 39-01-3029 | 5559-02P I-2 I0 | 2 | 94V-0 | PK-5559-002 |
| 39-01-3049 | 5559-04P I-2 I0 | 4 | 94V-0 | BULK |
| 39-01-3069 | 5559-06P I-2 I0 | 6 | 94V-0 | BULK |
| 39-01-3089 | 5559-08P I-2 I0 | 8 | 94V-0 | BULK |
| 39-01-3109 | 5559-10P I-2 I0 | 10 | 94V-0 | BULK |
| 39-01-3129 | 5559-12P I-2 I0 | 12 | 94V-0 | BULK |
| 39-01-3149 | 5559-14P I-2 I0 | 14 | 94V-0 | BULK |
| 39-01-3169 | 5559-16P I-2 I0 | 16 | 94V-0 | BULK |
| 39-01-3189 | 5559-18P I-2 I0 | 18 | 94V-0 | BULK |
| 39-01-3209 | 5559-20P I-2 I0 | 20 | 94V-0 | BULK |
| 39-01-3229 | 5559-22P I-2 I0 | 22 | 94V-0 | BULK |
| 39-01-3249 | 5559-24P I-2 I0 | 24 | 94V-0 | BULK |



| PART NUMBER | ENG. NUMBER | CIRCUIT SIZE | MATERIAL | PACKAGING SPECIFICATION |
|-------------|----------------|--------------|------------------------|-------------------------|
| 15-04-6020 | 5559-02P I-220 | 2 | 94V-2, U.V. STABILIZED | PK-5559-002 |
| NO E.D.P. | 5559-04P I-220 | 4 | 94V-2, U.V. STABILIZED | BULK |
| NO E.D.P. | 5559-06P I-220 | 6 | 94V-2, U.V. STABILIZED | BULK |
| NO E.D.P. | 5559-08P I-220 | 8 | 94V-2, U.V. STABILIZED | BULK |
| NO E.D.P. | 5559-10P I-220 | 10 | 94V-2, U.V. STABILIZED | BULK |
| NO E.D.P. | 5559-12P I-220 | 12 | 94V-2, U.V. STABILIZED | BULK |
| NO E.D.P. | 5559-14P I-220 | 14 | 94V-2, U.V. STABILIZED | BULK |
| NO E.D.P. | 5559-16P I-220 | 16 | 94V-2, U.V. STABILIZED | BULK |
| NO E.D.P. | 5559-18P I-220 | 18 | 94V-2, U.V. STABILIZED | BULK |
| NO E.D.P. | 5559-20P I-220 | 20 | 94V-2, U.V. STABILIZED | BULK |
| NO E.D.P. | 5559-22P I-220 | 22 | 94V-2, U.V. STABILIZED | BULK |
| NO E.D.P. | 5559-24P I-220 | 24 | 94V-2, U.V. STABILIZED | BULK |

| PART NUMBER | ENG. NUMBER | CIRCUIT SIZE | MATERIAL | PACKAGING SPECIFICATION |
|-------------|--------------|--------------|----------|-------------------------|
| 39-01-3026 | 5559-02P1-BL | 2 | 94V-2 | PK-5559-002 |
| 39-01-3046 | 5559-04P1-BL | 4 | 94V-2 | BULK |
| 39-01-3066 | 5559-06P1-BL | 6 | 94V-2 | BULK |
| 39-01-3086 | 5559-08P1-BL | 8 | 94V-2 | BULK |
| 39-01-3106 | 5559-10P1-BL | 10 | 94V-2 | BULK |
| 39-01-3126 | 5559-12P1-BL | 12 | 94V-2 | BULK |
| 39-01-3146 | 5559-14P1-BL | 14 | 94V-2 | BULK |
| 39-01-3166 | 5559-16P1-BL | 16 | 94V-2 | BULK |

| ADDED PK SPECS EC NO: UCP2009-0724 DRAWN: JLOSTNER 2008/10/01 CHKD: JBEL 2008/10/03 APPR: F SMITH 2008/10/03 | QUALITY SYMBOLS ▽=0 ▽=0 | GENERAL TOLERANCES (UNLESS SPECIFIED) <table border="1"> <tr><th colspan="2">mm</th><th>INCH</th></tr> <tr><td>4 PLACES ±</td><td>---</td><td>± ---</td></tr> <tr><td>3 PLACES ±</td><td>---</td><td>± ---</td></tr> <tr><td>2 PLACES ±</td><td>---</td><td>± .015</td></tr> <tr><td>1 PLACE ±</td><td>0.38</td><td>± ---</td></tr> </table> | mm | | INCH | 4 PLACES ± | --- | ± --- | 3 PLACES ± | --- | ± --- | 2 PLACES ± | --- | ± .015 | 1 PLACE ± | 0.38 | ± --- | DIMENSION STYLE IN/MM DRAWN BY: R J F DATE: 1989/09/22 CHECKED BY: BAP DATE: 1989/09/22 APPROVED BY: ROS DATE: 1989/09/22 | SCALE: 1:1 DESIGN UNITS: INCH THIRD ANGLE PROJECTION | TITLE: MINI-FIT JR SERIES PLUG W/O MTG. EARS |
|---|-------------------------------------|---|---------------------------|--|------|------------|-----|-------|------------|-----|-------|------------|-----|--------|-----------|------|-------|---|--|---|
| | mm | | INCH | | | | | | | | | | | | | | | | | |
| | 4 PLACES ± | --- | ± --- | | | | | | | | | | | | | | | | | |
| | 3 PLACES ± | --- | ± --- | | | | | | | | | | | | | | | | | |
| 2 PLACES ± | --- | ± .015 | | | | | | | | | | | | | | | | | | |
| 1 PLACE ± | 0.38 | ± --- | | | | | | | | | | | | | | | | | | |
| MATERIAL NO. SEE CHART | DOCUMENT NO. SD-5559-NP1* | SHEET NO. 2 OF 2 | MOLEX INCORPORATED | | | | | | | | | | | | | | | | | |
| DRAFT WHERE APPLICABLE MUST REMAIN WITHIN DIMENSIONS | | | | | | | | | | | | | | | | | | | | |
| THIS DRAWING CONTAINS INFORMATION THAT IS PROPRIETARY TO MOLEX INCORPORATED AND SHOULD NOT BE USED WITHOUT WRITTEN PERMISSION | | | | | | | | | | | | | | | | | | | | |