

YC-1602J Series

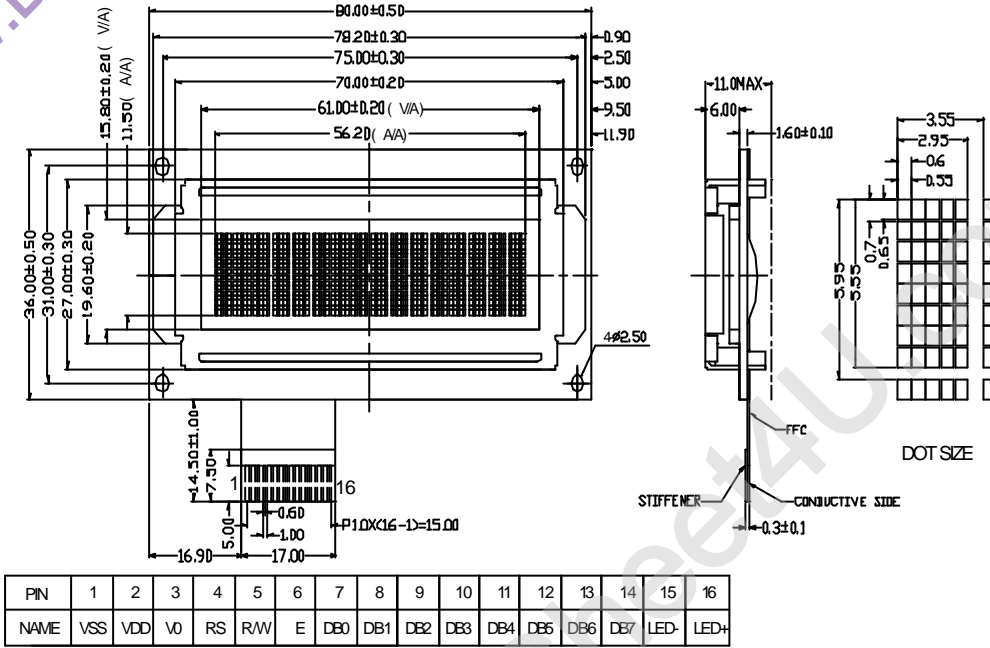
液晶之友 电话: 020-33819057

http://www.lcdfriends.com

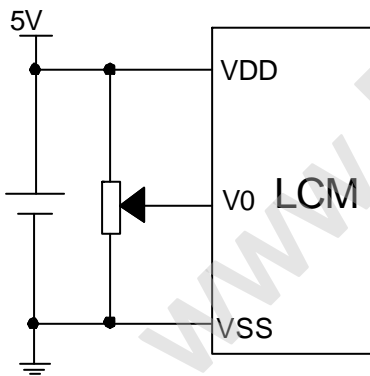
1. Mechanical Specifications

| | Display Area(mm) | Outline(mm) |
|--------------------------|------------------------------|----------------------------------|
| 16CharactersX2Lines | Active Area: 2.95(W)X5.55(H) | Outline Dimension :61(W)X15.8(H) |
| Duty: 1/16 | Dot Size:0.55(W)X0.65(H) | Thickness With B/L: 11Max |
| Viewing Area:80(W)X36(H) | Dot Pitch: 0.6(W)X0.7(H) | Thickness Without B/L: |

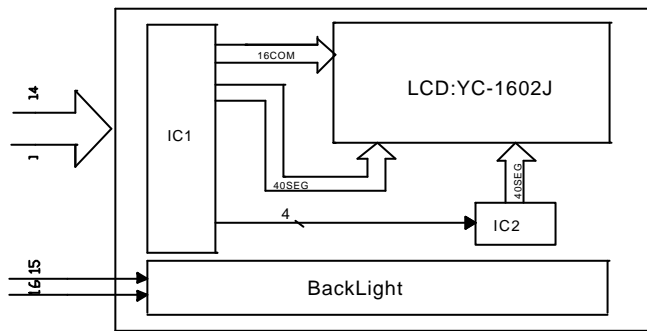
2. External Dimension



3. Power Supply



4. Block Diagram



5. Electrical Characteristics

| Item | Symbol | Min. | Typ. | Max. | Unit | Condition |
|------------------------|------------------|------|------|------|------|-----------|
| Supply Voltage(Logic) | Vdd | 4.5 | 5 | 5.5 | V | |
| Supply Current(Logic) | Idd | - | - | 3 | mA | Vdd=5V |
| LCD Operating Voltage | Vop | - | 4.5 | - | V | Ta=25 |
| Supply Current for LCD | Iee | - | - | 3 | mA | Vdd=5V |
| Power Supply for B/L | V _{B/L} | - | 4.2 | - | V | |