

# KM29V64000TS/RS

# Advance Information FLASH MEMORY

## 8M x 8 Bit NAND Flash Memory

### FEATURES

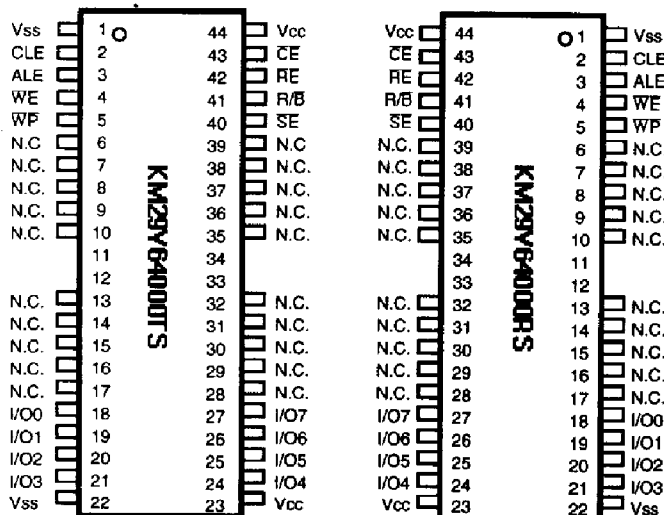
- Single 3.3 - volt Supply
- Organization
  - Memory Cell Array : (8M +128K)bit x 8bit
  - Data Register : (512 + 16)bit x 8bit
- Automatic Program and Erase
  - Page Program : (512 + 16)Byte
  - Block Erase : (8K +256)Byte
  - Status Register
- 528 - Byte Page Read Operation
  - Random Access : 5  $\mu$ s
  - Serial Page Access : 50 ns
  - Gap-less Sequential read
- Fast Write Cycle Time
  - Program time : 200us
  - Block Erase time : 4ms
- Command/Address/Data Multiplexed I/O port
- Hardware Data Protection
  - Program/Erase Lockout During Power Transitions
- Reliable CMOS Floating-Gate Technology
  - Endurance :1M Program/Erase Cycles
  - Data Retention : 10 years
- Command Register Operation
- 44(40) - Lead TSOP Type II (400 mil / 0.8 mm pitch)

### GENERAL DESCRIPTION

The KM29V64000TS/RS is a 8M(8,388,608)x8 bit NAND Flash memory with a spare 256K(262,144)x8 bit. Its NAND cell provides the most cost-effective solution for the mass solid state storage market. A program operation programs the 528-byte page in typically 200 $\mu$ s and an erase operation can be performed in typically 4ms on either a 8K-byte block. Data in the page can be read out at 50ns cycle time per byte. The I/O pins serve as the ports for address and data input/output as well as command inputs. The on-chip write controller automates all program and erase system functions, including pulse repetition, where required, and internal verify and margining of data. Each block can be programmed and erased a minimum of ten thousand cycles. However the write-intensive systems can take advantage of the KM29V64000TS/RS's extended reliability of 1,000,000 program/erase cycles by providing either ECC(Error Checking and Correction) or real time mapping-out algorithm. These algorithms have been implemented in many mass storage applications and also the spare 16 bytes of a page combined with the other 512 bytes can be utilized by system-level ECC.

The KM29V64000TS/RS is an optimum solution for large nonvolatile storage application such as solid state storage, digital voice recorder, digital still camera and other portable applications requiring nonvolatility.

### PIN CONFIGURATION



**44(40) TSOP (II)  
STANDARD TYPE**

**44(40) TSOP (II)  
REVERSE TYPE**

| Pin Name    | Pin Function         |
|-------------|----------------------|
| I/O0 ~ I/O7 | Data Input/Outputs   |
| CLE         | Command Latch Enable |
| ALE         | Address Latch Enable |
| CE          | Chip Enable          |
| RE          | Read Enable          |
| WE          | Write Enable         |
| WP          | Write Protect        |
| SE          | Spare area Enable    |
| R/B         | Ready/Busy output    |
| Vcc         | Power (+3.3V)        |
| Vss         | Ground               |
| N.C.        | No Connection        |

Notes ; Connect all Vcc and Vss pins of each device to power supply outputs.  
Do NOT leave Vcc or Vss disconnected.

Figure 1. FUNCTIONAL BLOCK DIAGRAM

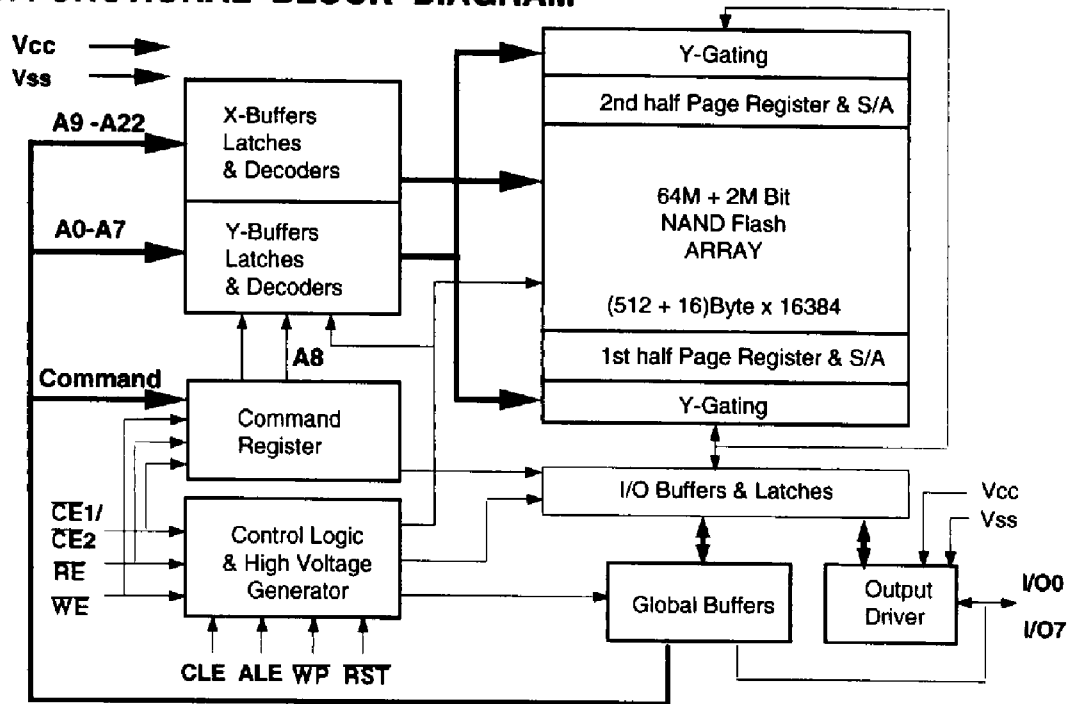
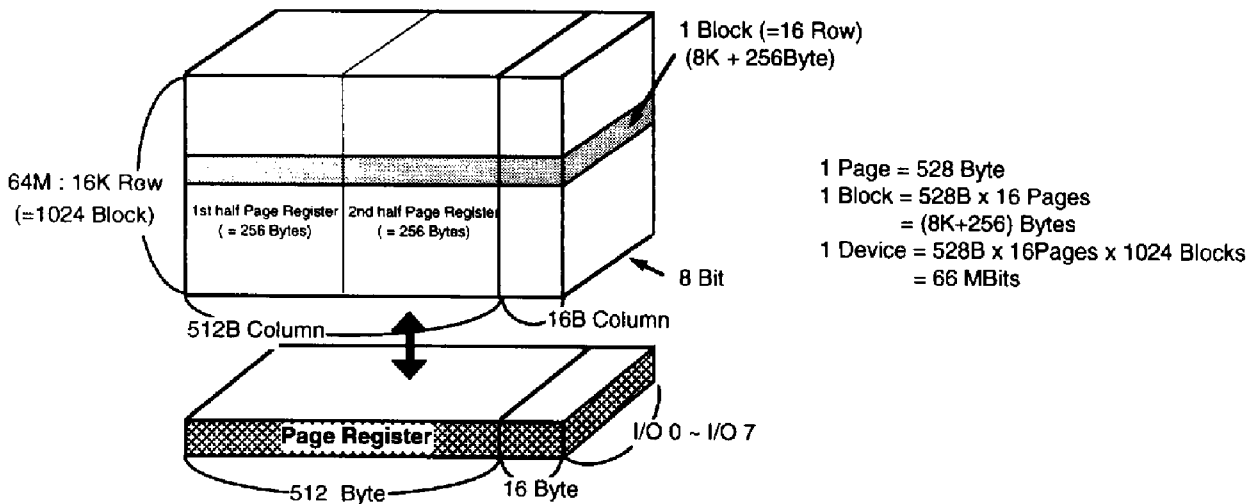


Figure 2. ARRAY ORGANIZATION



|           | I/O0 | I/O1 | I/O2 | I/O3 | I/O4 | I/O5 | I/O6 | I/O7 |                |
|-----------|------|------|------|------|------|------|------|------|----------------|
| 1st Cycle | A0   | A1   | A2   | A3   | A4   | A5   | A6   | A7   | Column Address |
| 2nd Cycle | A9   | A10  | A11  | A12  | A13  | A14  | A15  | A16  | Row Address    |
| 3rd Cycle | A17  | A18  | A19  | A20  | A21  | A22  | * X  | * X  | (Page Address) |

Note : Column Address : Starting Address of the Register.

00H Command (Read) : Defines the starting Address of the 1st half of the Register.

01H Command (Read) : Defines the starting Address of the 2nd half of the Register.

\* A8 is initially set to "Low" or "High" by the 00H or 01H Command.

\* X can be High or Low.

## PRODUCT INTRODUCTION

The KM29V64000 is a 66Mbit(69,206,016 bit) memory organized as 16,384 rows by 528 columns. A spare sixteen columns are located from column address of 512 to 527. A 528-byte data register is connected to memory cell arrays accommodating data transfer between the I/O buffers and memory during page read and page program operations. The memory array is made up of 16 cells that are serially connected to form a NAND structure. Each of the 16 cells reside in a different page. A block consists of the 16 pages formed by one NAND structures, totaling 528 NAND structures of 16 cells. The array organization is shown in Figure 2. The program and read operations are executed on a page basis, while the erase operation is executed on block basis. The memory array consists of 512 separately or grouped erasable 8K-byte blocks. It indicate that the bit by bit erase operation is prohibited on the KM29V64000.

The KM29V64000 has addresses multiplexed into 8 I/O's. This scheme dramatically reduces pin counts and allows system upgrades to future higher densities by maintaining consistency in system board design. Command, address and data are all written through I/O's by bringing WE to low while CE is low. Data is latched on the rising edge of WE. Command Latch Enable(CLE) and Address Latch Enable(ALE) are used to multiplex command and address respectively, via the I/O pins. All commands require one bus cycle except for Block Erase command which requires two cycles: a cycle for erase-setup and another for erase-execution after block address loading. The 8M byte physical space requires 23 addresses, thereby requiring three cycles for byte-level addressing: column address, low row address and high row address; in that order. Page Read and Page Program need the same three address cycles following the required command input. In Block Erase operation, however, only the two row address cycles are used. Device operations are selected by writing specific commands into the command register. Table1 defines the specific commands of the KM29V64000.

Table 1. COMMAND SETS

| Function                 | 1st. Cycle             | 2nd. Cycle | Acceptable Command during Busy State |
|--------------------------|------------------------|------------|--------------------------------------|
| Sequential Data Input    | 80h                    | -          |                                      |
| Read 1                   | 00h/01h <sup>(1)</sup> | -          |                                      |
| Read 2                   | 50h <sup>(2)</sup>     | -          |                                      |
| Gap-less Sequential read | 02h                    | -          |                                      |
| Read ID                  | 90h                    | -          |                                      |
| Reset                    | FFh                    | -          | ○                                    |
| Page Program             | 10h                    | -          |                                      |
| Block Erase              | 60h                    | D0h        |                                      |
| Erase Suspend            | B0h                    | -          | ○                                    |
| Erase Resume             | D0h                    | -          |                                      |
| Read Status              | 70h                    | -          | ○                                    |

- Note :
- 1) The 00h Command defines starting Address on the 1st half of Registers.  
The 01h Command defines starting Address on the 2nd half of Registers.  
After data access on the 2nd half of register by the 01H command, the status pointer is automatically moved to the 1st half register (00H) on the next cycle.
  - 2) The 50H command is valid only When the SE (pin 40) is low level.

## **PIN DESCRIPTION**

### **Command Latch Enable(CLE)**

The CLE input controls the path activation for commands sent to the command register. When active high, commands are latched into the command register through the I/O ports on the rising edge of the WE signal.

### **Address Latch Enable(ALE)**

The ALE input controls the path activation for address and input data to the internal address/data registers. Addresses are latched on the rising edge of WE with ALE high, and input data is latched when ALE is low. When the device is in the busy state during program or erase, CE high does not return the device to standby mode.

### **Chip Enable(CE)**

The CE input is the device selection control. When CE goes high during a read operation the device is returned to standby mode. However, when the device is in the busy state during program or erase, CE high is ignored, and does not return the device to standby mode.

### **Write Enable(WE)**

The WE input controls writes to the I/O port. Commands, address and data are latched on the rising edge of the WE pulse.

### **Read Enable(RE)**

The RE input is the serial data-out control, and when active drives the data onto the I/O bus. Data is valid tREA after the falling edge of RE which also increments the internal column address counter by one.

### **Spear Area Enable(SE)**

The SE input is the spear area control, and when high deselects the spear area during Read1, Sequential data input and Page program.

### **I/O Port : I/O 0 - I/O 7**

The I/O pins are used to input command, address and data, and to outputs data during read operations. The I/O pins float to high-z when the chip is deselected or the outputs are disabled.

### **Write Protected(WP)**

The WP pin provides inadvertent write/erase protection during power transitions. The internal high voltage generator is reset when the WP pin is active low.

### **Ready / Busy(R/B)**

The R/B output indicates the status of the device operation. When low, it indicates that a program, erase or random read operation is in process and return to high state upon completion. It is an open drain output and does not float to high-z condition when the chip is deselected or outputs are disabled.

**ABSOLUTE MAXIMUM RATINGS**

| Parameter                          | Symbol | Rating       | Unit |
|------------------------------------|--------|--------------|------|
| Voltage on any pin relative to Vss | VIN    | -0.6 to +5.0 | V    |
| Temperature Under Bias             | Tbias  | -10 to +125  | °C   |
| Storage Temperature                | Tstg   | -65 to +150  | °C   |
| Short Circuit Output Current       | Ios    | 5            | mA   |

\* Notes

1. Minimum DC voltage is -0.3V an input/output pins. During transitions, this level may undershoot to -2.0V for periods <30ns. Maximum DC voltage on input/output pins is Vcc+0.5V which, during transitions, may overshoot to Vcc+2.0V for periods <20ns.
2. Permanent device damage may occur if ABSOLUTE MAXIMUM RATINGS are exceeded. Functional operation should be restricted to the conditions as detailed in the operational sections of this data sheet. Exposure to absolute maximum rating conditions for extended periods may affect device reliability.

**RECOMMENDED OPERATING CONDITIONS** (Voltage reference to GND, Ta = 0 to 70 °C)

| Parameter      | Symbol | Min | Typ | Max | Unit |
|----------------|--------|-----|-----|-----|------|
| Supply Voltage | Vcc    | 3.0 | 3.3 | 3.6 | V    |
| Supply Voltage | Vss    | 0   | 0   | 0   | V    |

**DC AND OPERATING CHARACTERISTICS**

(Recommended operating conditions otherwise noted.)

| Parameter                       |                        | Symbol                   | Test Conditions                    | Min | Typ     | Max | Unit |
|---------------------------------|------------------------|--------------------------|------------------------------------|-----|---------|-----|------|
| Operating Current               | Sequential Read        | Icc1                     | tcycle=50ns<br>CE=VIL, Iout = 0 mA | -   | 10      | 30  | mA   |
|                                 | Read                   | Icc2                     | tcycle= 1 us                       | -   | 2       | 5   | mA   |
|                                 | Command, Address Input | Icc3                     | tcycle=50ns                        | -   | 10      | 30  | mA   |
|                                 | Data Input             | Icc4                     | -                                  | -   | 10      | 30  | mA   |
|                                 | Register Read          | Icc5                     | tcycle=50ns<br>Iout = 0mA          | -   | 10      | 30  | mA   |
|                                 | Program                | Icc6                     | -                                  | -   | 10      | 30  | mA   |
|                                 | Erase                  | Icc7                     | -                                  | -   | 10      | 30  | mA   |
| Stand-by Current (TTL)          | ISB1                   | CE=VIH, WP=SE=0V/Vcc     | -                                  | -   | 1       | mA  |      |
| Stand-by Current (CMOS)         | ISB2                   | CE=Vcc-0.2, WP=SE=0V/Vcc | -                                  | 50  | 100     | µA  |      |
| Input Leakage Current           | II                     | VIN =0 to 3.6 V          | -                                  | -   | ±10     | µA  |      |
| Output Leakage Current          | ILO                    | VOUT =0 to 3.6 V         | -                                  | -   | ±10     | µA  |      |
| Input High Voltage , All inputs | VIH                    | -                        | 2.0                                | -   | Vcc+0.3 | V   |      |
| Input Low Voltage , All inputs  | VIL                    | -                        | -0.3                               | -   | 0.8     | V   |      |
| Output High Voltage Level       | VOH                    | I0H= -400uA              | 2.4                                | -   | -       | V   |      |
| Output Low Voltage Level        | VOL                    | I0L= 2.1 mA              | -                                  | -   | 0.4     | V   |      |
| Output Low Current (R/B)        | IOL(R/B)               | VOL =0.4 V               | 8                                  | 10  | -       | mA  |      |

## AC TEST CONDITION

Note:  $T_a = 0\text{ }^\circ\text{C}$  to  $+70\text{ }^\circ\text{C}$ ,  $V_{cc}=3.3V\pm 10\%$ , unless otherwise noted.

| Parameter                      | Value                               |
|--------------------------------|-------------------------------------|
| Input Pulse Levels             | 0.4V to 2.4V                        |
| Input Rise and Fall Times      | 5 ns                                |
| Input and Output Timing Levels | 0.8V and 2.0V                       |
| Output Load                    | 1 TTL GATE and $CL = 100\text{ pF}$ |

## CAPACITANCE ( $T_a = 25\text{ }^\circ\text{C}$ , $V_{cc}=3.3V$ , $f = 1.0\text{ MHz}$ )

| Item                       | Symbol | Condition     | Min | Max | Unit |
|----------------------------|--------|---------------|-----|-----|------|
| Input / Output Capacitance | C/O    | $V_{IL} = 0V$ | -   | 10  | pF   |
| Input Capacitance          | CIN    | $V_{IN} = 0V$ | -   | 10  | pF   |

Note: Capacitance is periodically sampled and not 100% tested.

## MODE SELECTION

| CLE | ALE              | CE | WE | RE | SE                                | WP                                | RST | Mode                          | IO     | Power    |
|-----|------------------|----|----|----|-----------------------------------|-----------------------------------|-----|-------------------------------|--------|----------|
| H   | L                | L  |    | H  | X                                 | X                                 | H   | Command Input                 | Din    | Active   |
| L   | H                | L  |    | H  | X                                 | X                                 | H   | Address Input(3clock)         | Din    | Active   |
| L   | H                | L  | H  |    | X                                 | X                                 | H   | Address Output(3clock)        | Dout   | Active   |
| L   | L                | L  |    | H  | L/H <sup>(3)</sup>                | X                                 | H   | Data Input                    | Din    | Active   |
| L   | L                | L  | H  |    | L/H <sup>(3)</sup>                | X                                 | H   | Sequential Read & Data Output | Dout   | Active   |
| X   | X                | X  | X  | X  | L/H <sup>(3)</sup>                | H                                 | H   | During Program (Busy)         | High-Z | Active   |
| X   | X                | X  | X  | X  | X                                 | H                                 | H   | During Erase (Busy)           | High-Z | Active   |
| X   | X <sup>(1)</sup> | X  | X  | X  | X                                 | L                                 | H   | Write Protect                 | High-Z | Active   |
| X   | X                | X  | X  | X  | X                                 | X                                 |     | Reset                         | High-Z | Stand-by |
| X   | X                | H  | X  | X  | 0V/V <sub>cc</sub> <sup>(2)</sup> | 0V/V <sub>cc</sub> <sup>(2)</sup> | H   | Stand-by                      | High-Z | Stand-by |
| X   | X                | L  | X  | X  | 0V/V <sub>cc</sub>                | 0V/V <sub>cc</sub>                | H   |                               |        |          |
| X   | X                | H  | X  | X  | 0V/V <sub>cc</sub>                | 0V/V <sub>cc</sub>                | H   |                               |        |          |

Notes: 1. X can be  $V_{IL}$  or  $V_{IH}$

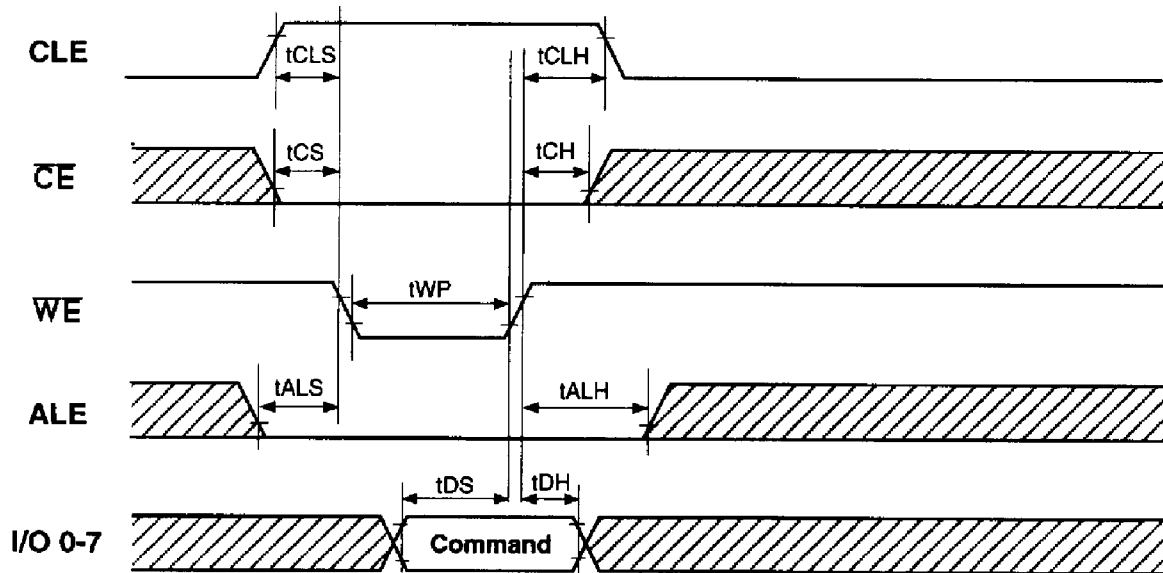
2. WP should be biased to CMOS high or CMOS low for standby.

3. When SE is high, spare area is deselected.

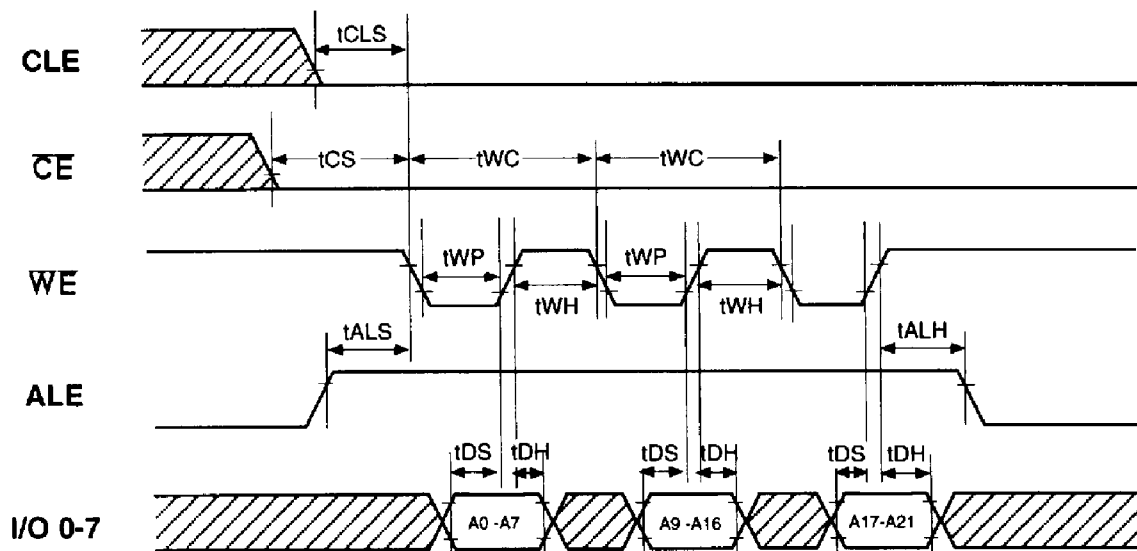
**A.C. Characteristics for Command / Address / Data Input**

| Parameter                  | Symbol | Min | Max | Unit |
|----------------------------|--------|-----|-----|------|
| CLE Set-up Time            | tCLS   | 0   | -   | ns   |
| CLE Hold Time              | tCLH   | 10  | -   | ns   |
| $\overline{CE}$ Setup Time | tCS    | 0   | -   | ns   |
| $\overline{CE}$ Hold Time  | tCH    | 10  | -   | ns   |
| WE Pulse Width             | tWP    | 25  | -   | ns   |
| ALE Set-up Time            | tALS   | 0   | -   | ns   |
| ALE Hold Time              | tALH   | 10  | -   | ns   |
| Data Set-up Time           | tDS    | 20  | -   | ns   |
| Data Hold Time             | tDH    | 10  | -   | ns   |
| Write Cycle Time           | tWC    | 50  | -   | ns   |
| WE High Hold Time          | tWH    | 10  | -   | ns   |

**\* Command Latch Cycle**

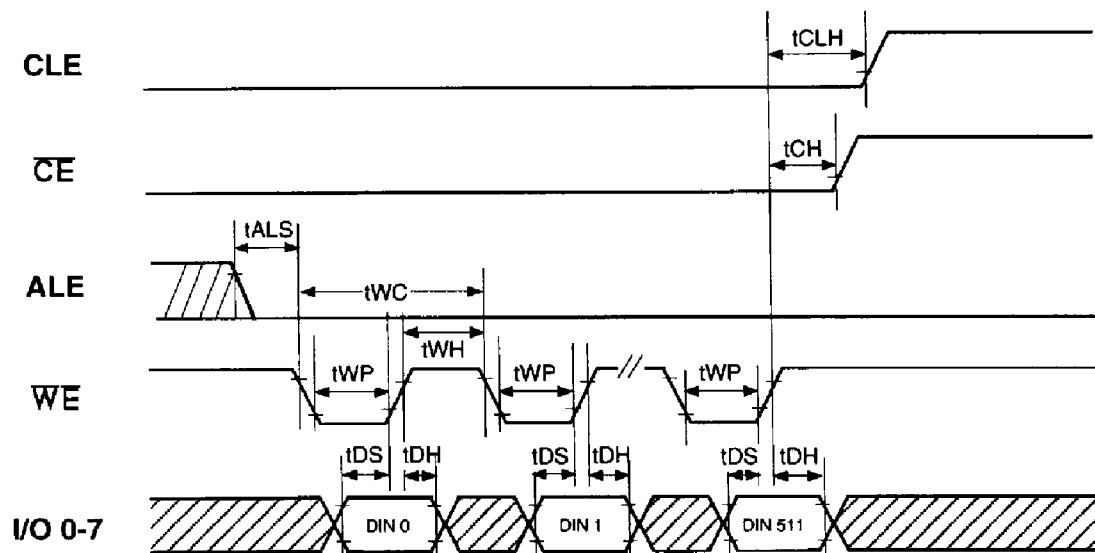


\* Address Latch Cycle



5

\* Input Data Latch Cycle





## A.C. Characteristics for Operation

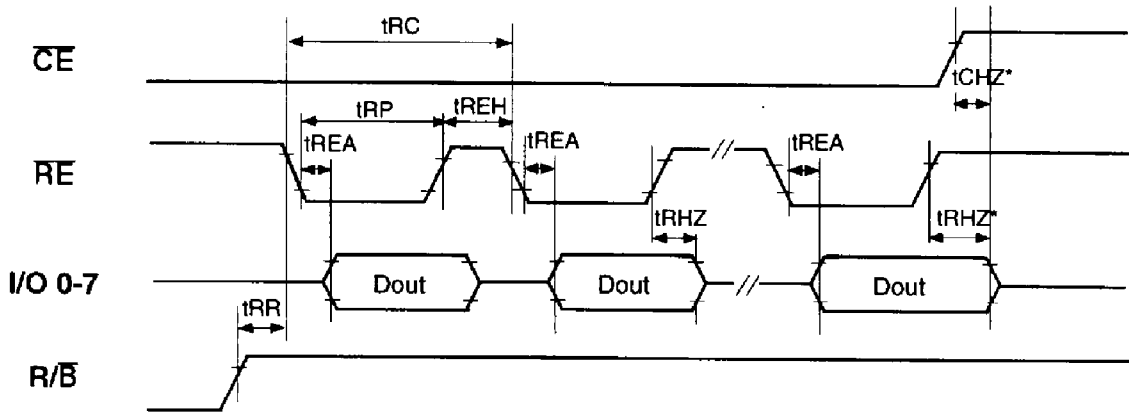
| Parameter   | Symbol  | Min | Max                         | Unit |
|---|---------|-----|-----------------------------|------|
| Data Transfer from Cell to Register                                     | tR      | -   | 5                           | μs   |
| ALE to RE Delay (Read register, read ID)                                | tAR1    | 100 | -                           | ns   |
| ALE to RE Delay (Read cycle)  | tAR2    | 50  | -                           | ns   |
| CE to RE Delay (Address register read, ID read)                         | tCR     | 100 | -                           | ns   |
| Ready to RE Low   | tRR     | 20  | -                           | ns   |
| RE Pulse Width  | tRP     | 30  | -                           | ns   |
| WE High to Busy   | tWB     | -   | 100                         | ns   |
| Read Cycle Time   | tRC     | 50  | -                           | ns   |
| RE Access Time  | tREA    | -   | 35                          | ns   |
| RE High to Output Hi-Z  | tRHZ    | 15  | 30                          | ns   |
| CE High to Output Hi-Z  | tCHZ    | -   | 20                          | ns   |
| RE High Hold Time   | tREH    | 10  | -                           | ns   |
| Output Hi-Z to RE Low   | tIR     | 0   | -                           | ns   |
| Last RE High to Busy (at sequential read)                               | tRB     | -   | 100                         | ns   |
| CE High to Ready (in case of interception by CE at read) <sup>(1)</sup> | tCRY    | -   | 50 + tr(R/B) <sup>(2)</sup> | ns   |
| CE High Hold Time (at the last serial read) <sup>(3)</sup>              | tCEH    | 100 | -                           | ns   |
| ALE Setup Time (Register Read)  | tALS1   | 10  | -                           | ns   |
| RE Low to Status Output   | tRSTO   | -   | 35                          | ns   |
| CE Low to Status Output   | tCSTO   | -   | 45                          | ns   |
| RE High to WE Low   | tRHW    | 0   | -                           | ns   |
| WE High to CE Low   | tWHC    | 30  | -                           | ns   |
| WE High to RE Low   | tWHR    | 30  | -                           | ns   |
| Erase Suspend Input to Ready  | tSR     | -   | 500                         | us   |
| RE access time (Read ID)  | tREADID | -   | 35                          | ns   |
| RST pin low width (Hardware reset)                                      | tRSTW   | 300 | -                           | ns   |
| Device Resetting Time<br>(Read/Program/Erase/after erase suspend)       | tRST    | -   | 5/10/500/5                  | us   |

- Note : 1. If CE goes high within 30ns after the rising edge of the last RE, R/B will not transition to Vol.  
 2. The time to Ready depends on the value of the pull-up resistor tied to R/B pin.  
 3. To break the sequential read cycle, CE must be held high for longer than tCEH.

## Program/Erase Characteristics

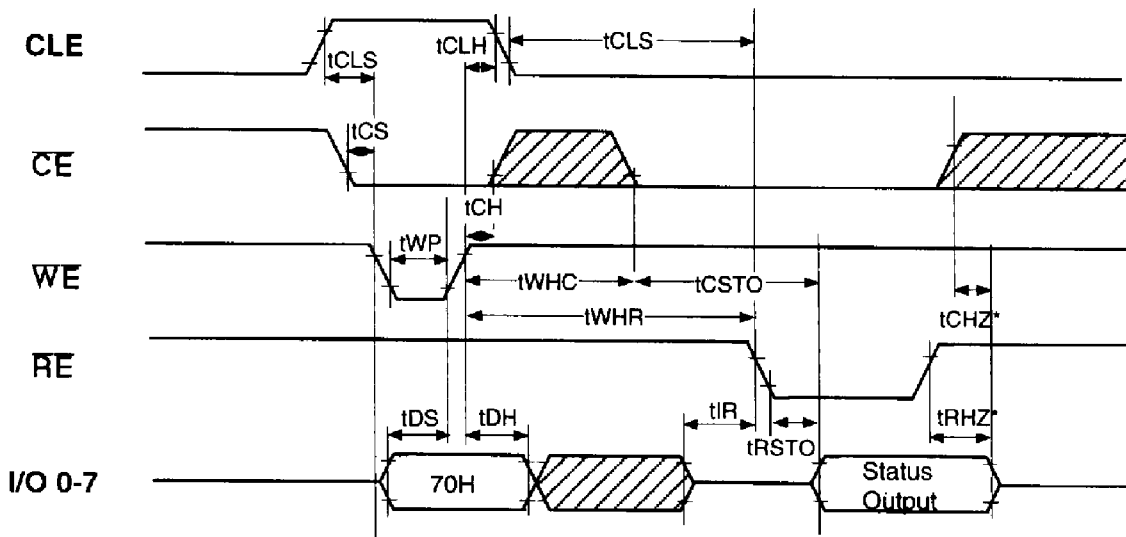
| Parameter   | Symbol | Min | Typ | Max | Unit   |
|---|--------|-----|-----|-----|--------|
| Program Time                                      | tPROG  | -   | 0.2 | 1.0 | ms     |
| Number of Partial Program Cycles in the Same Page | Nop    | -   | -   | 10  | cycles |
| Block Erase Time                                  | tBERS  | -   | 4   | 20  | ms     |

\* Sequential Out Cycle after Read (CLE=L, WE=H, ALE=L)

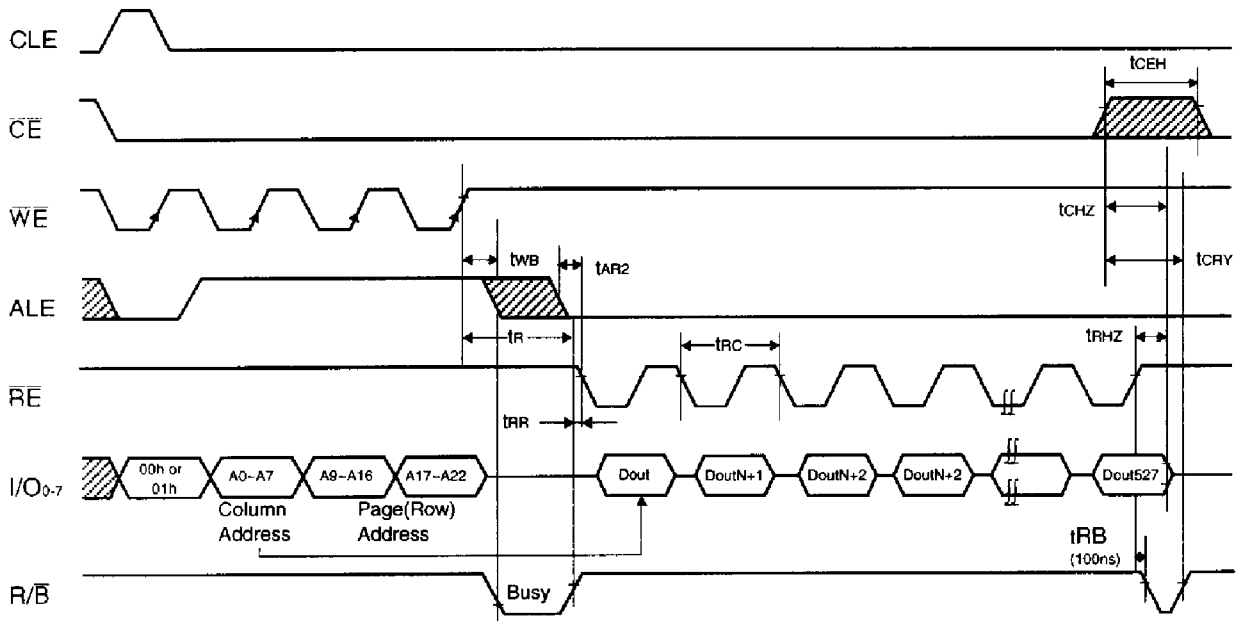


Note : Transition is measured  $\pm 200\text{mV}$  from steady state voltage with load.  
This parameter is sampled and not 100% tested.

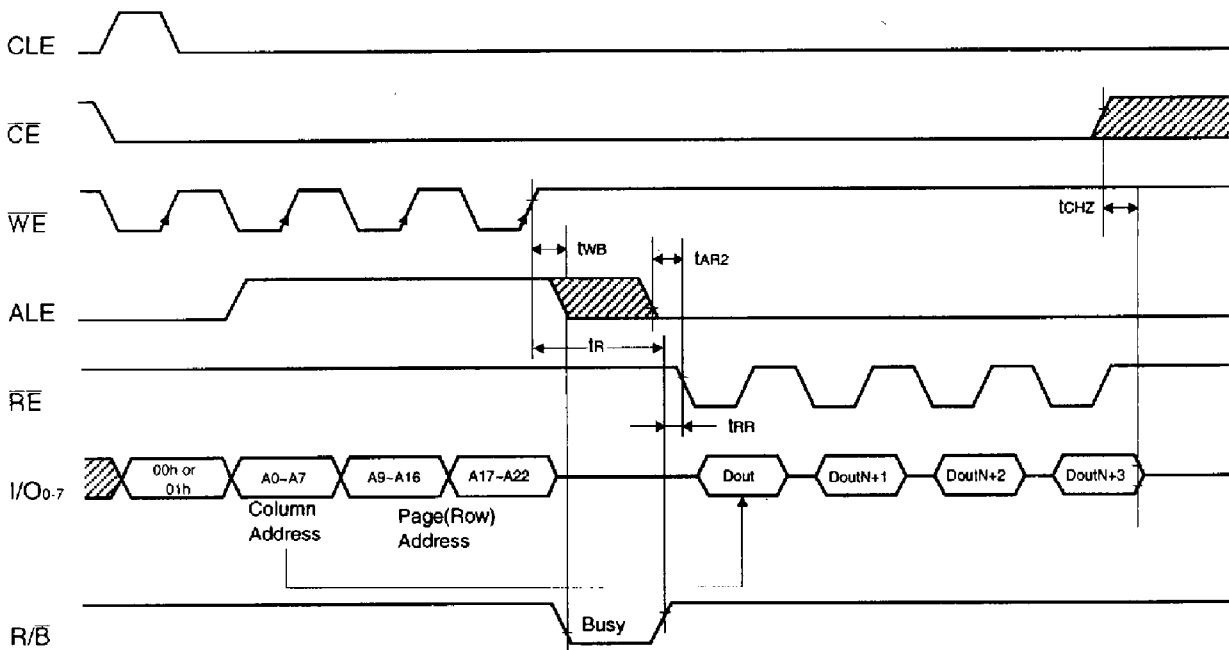
\* Status Read Cycle



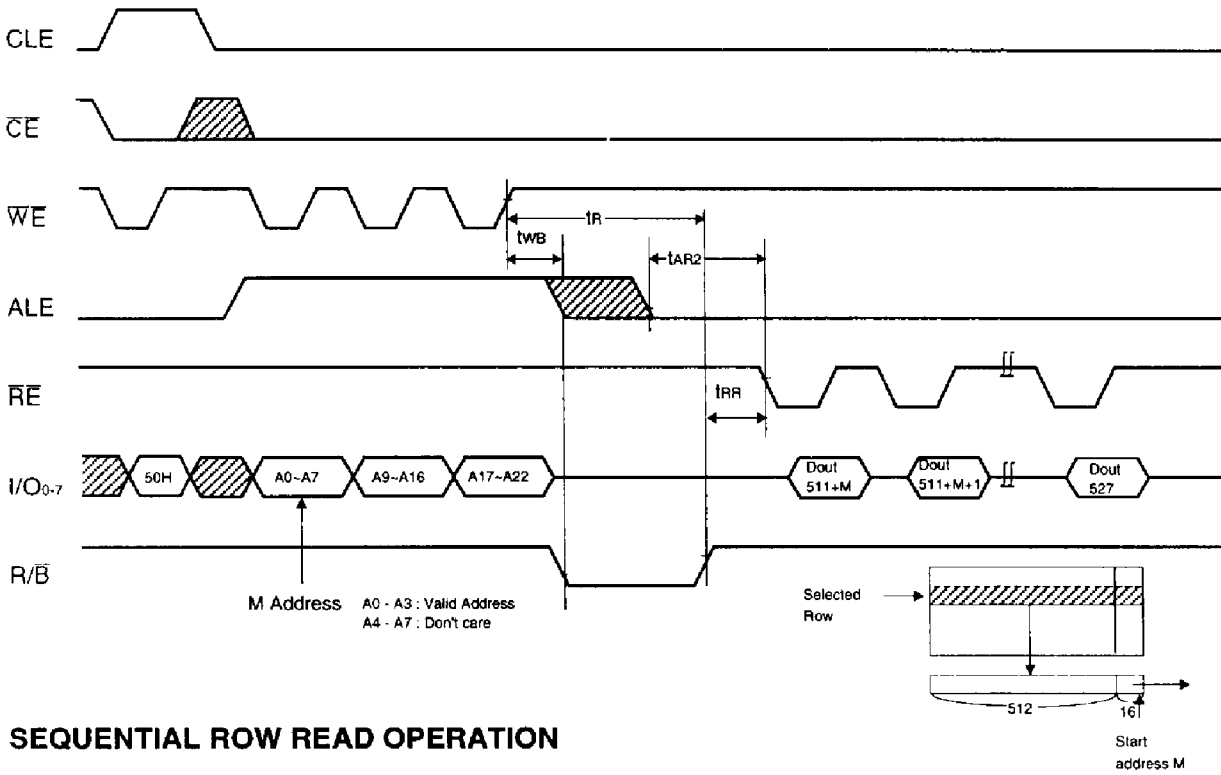
**READ1 OPERATION (READ ONE PAGE)**



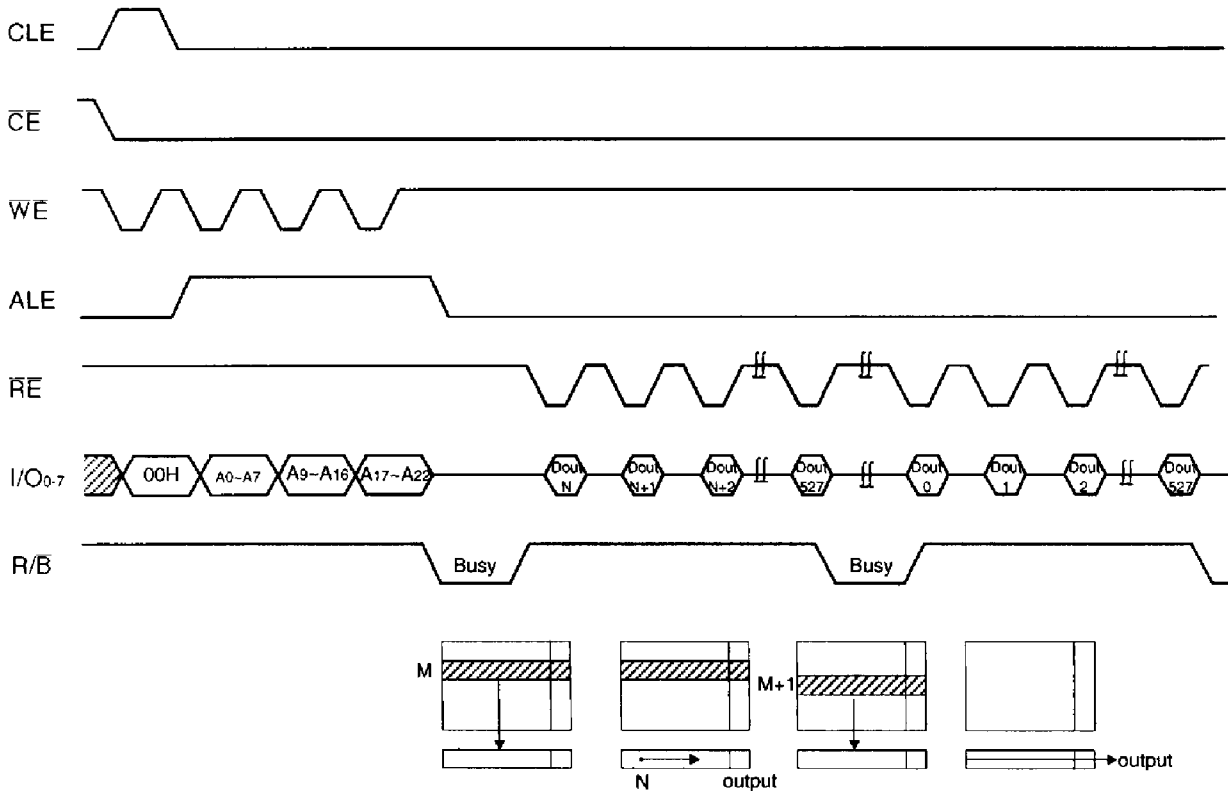
**READ1 OPERATION (INTERCEPTED BY CE)**



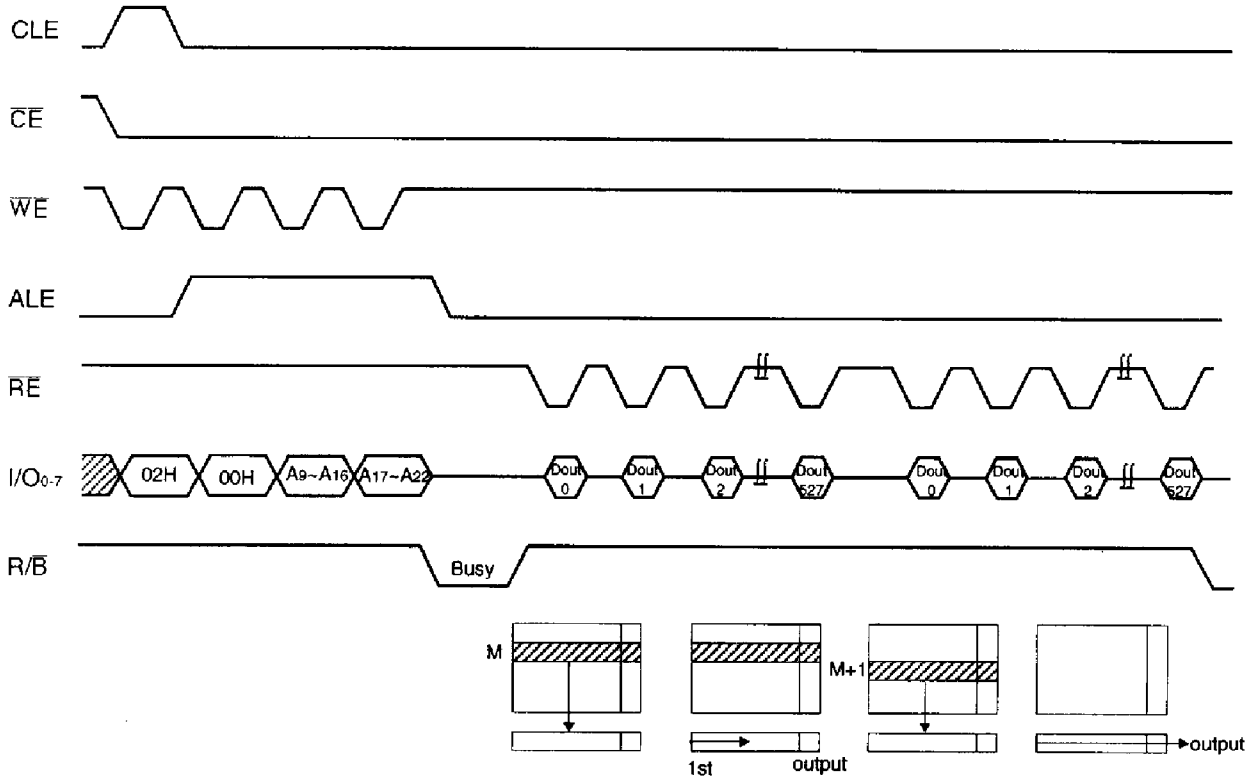
## READ2 OPERATION (READ ONE PAGE)



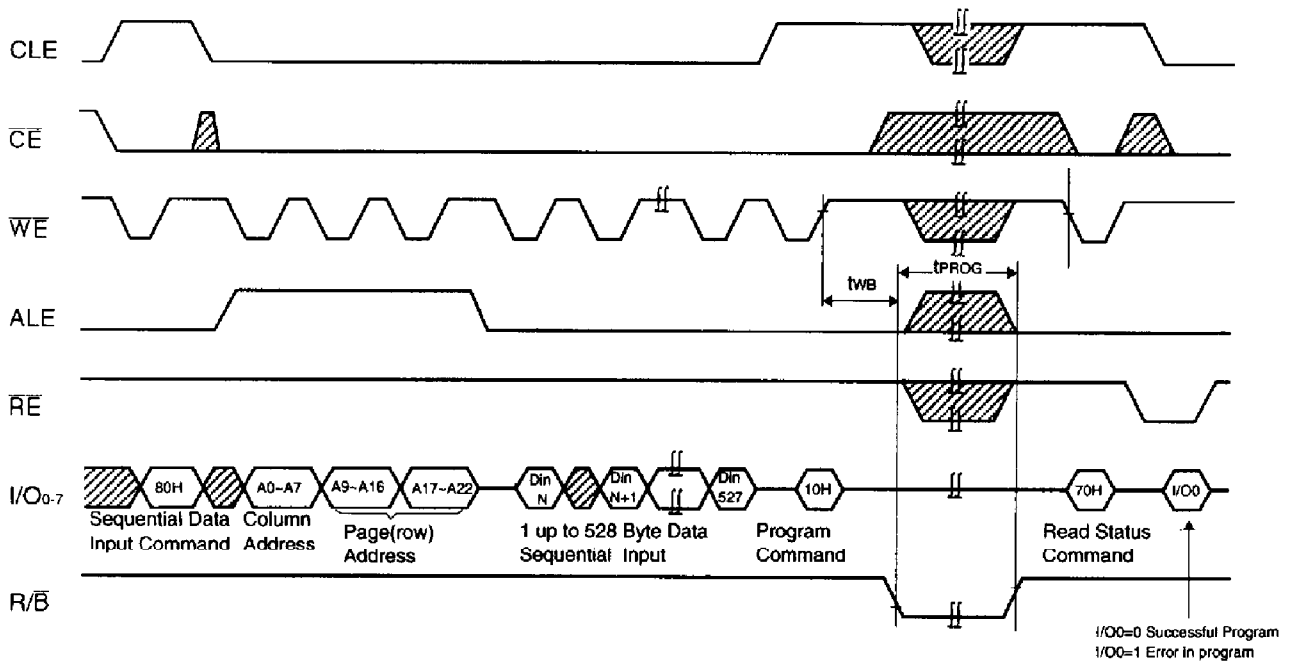
## SEQUENTIAL ROW READ OPERATION



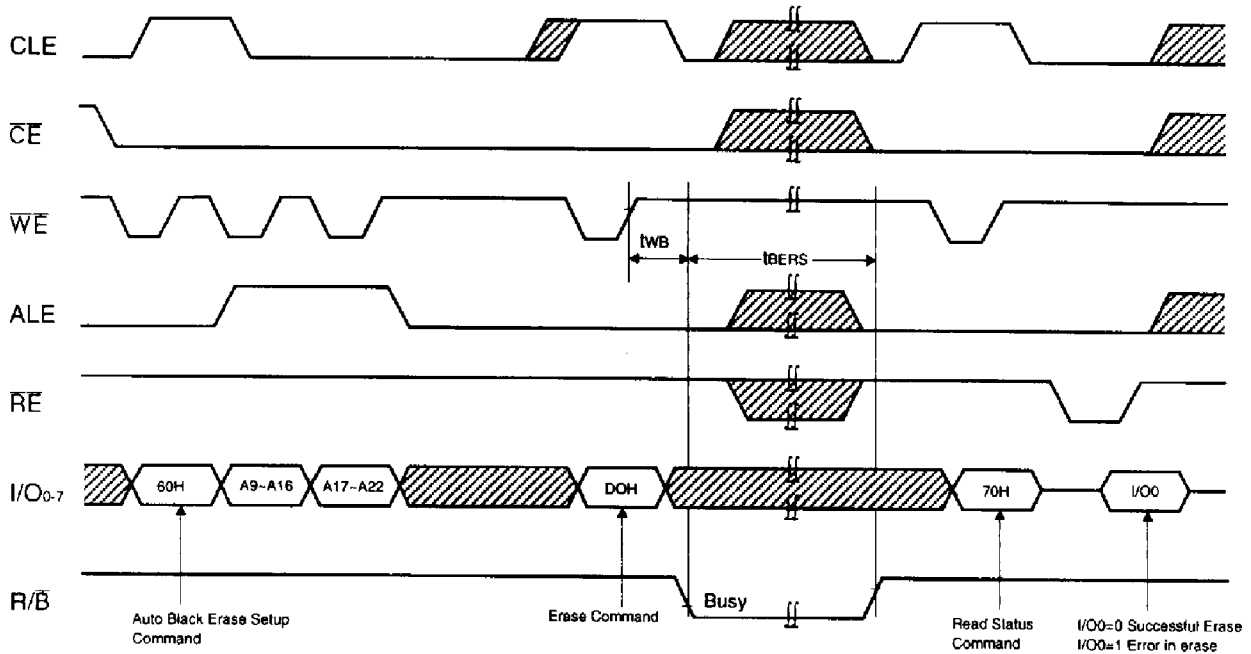
## GAP-LESS SEQUENTIAL READ OPERATION



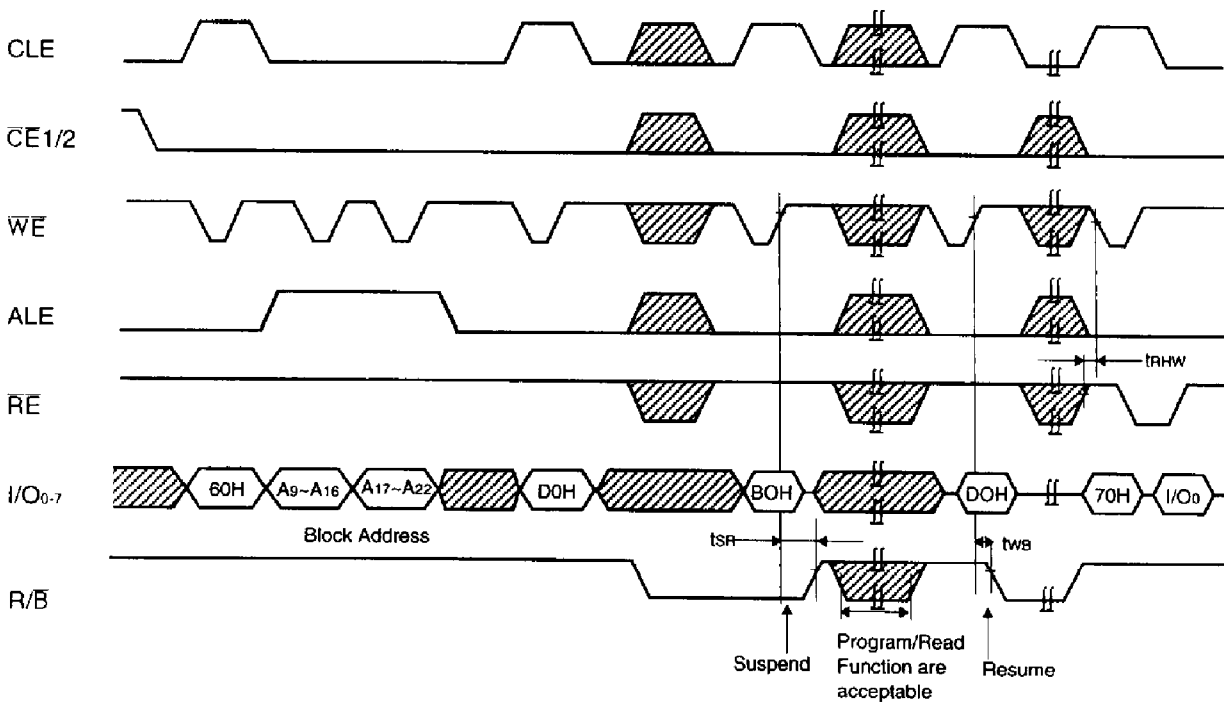
## PAGE PROGRAM OPERATION



**BLOCK ERASE OPERATION (ERASE ONE BLOCK)**



**SUSPEND & RESUME OPERATION DURING BLOCK ERASE**



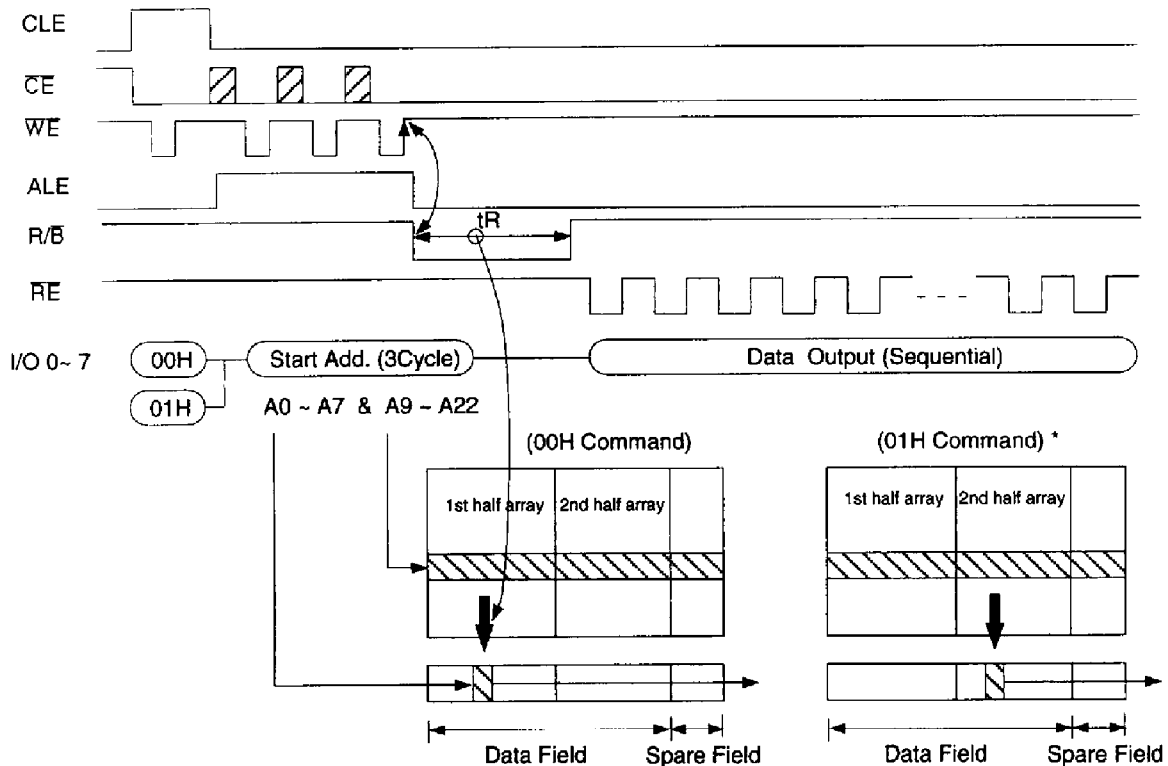
DEVICE OPERATION

PAGE READ

Upon initial device power up, the KM29V64000 defaults to Read1 mode. This operation is also initiated by writing 00H to the command register along with three address cycles. Once the command is latched, it does not need to be written for the following page read operation. Three types of operations are available: random read, serial page read and sequential row read.

The random read mode is enabled when the page address is changed. The 528 bytes of data within the selected page are transferred to the data registers in less than 5 $\mu$ s( $t_R$ ). The CPU can detect the completion of this data transfer ( $t_R$ ) by analyzing the output of Ready/Busy pin. Once the data in a page is loaded into the registers, they may be read out in 50ns cycle time by sequentially pulsing RE with CE staying low. High to low transitions of the RE clock output the data starting from the selected column address up to the last column address (column 511 or 527 depending on state of SE pin). After the data of last column address is clocked out, the next page is automatically selected for sequential row read. Waiting 5 $\mu$ s again allows for reading of the selected page. By 02H command and 00H column address the KM29V64000 also support gap-less sequential read operation that similar operation with normal sequential row read except do not need to wait  $t_R$ (5 $\mu$ s) for reading the next page. The sequential row read operation is terminated by bringing CE high. The way the Read1 and Read2 commands work is like a pointer set to either the main area or the spare area. The spare area of bytes 512 to 527 may be selectively accessed by writing the Read 2 command with SE pin low level. Address A0 to A3 set the starting address of the spare area while addresses A4 to A7 are ignored. Unless the operation is aborted, the page address is automatically incremented for sequential row read as in Read 1 operation and spare sixteen bytes of each page may be sequentially read. The Read 1 command (00H/01H) is needed to move the pointer back to the main area. Figure 3 thru 6 show typical sequence and timings for each read operation.

Figure 3. Read 1 Operation



\* After data access on 2nd half array by 01H command, the start pointer is automatically moved to 1st half array (00H) at next cycle.

Figure 4. Read 2 Operation

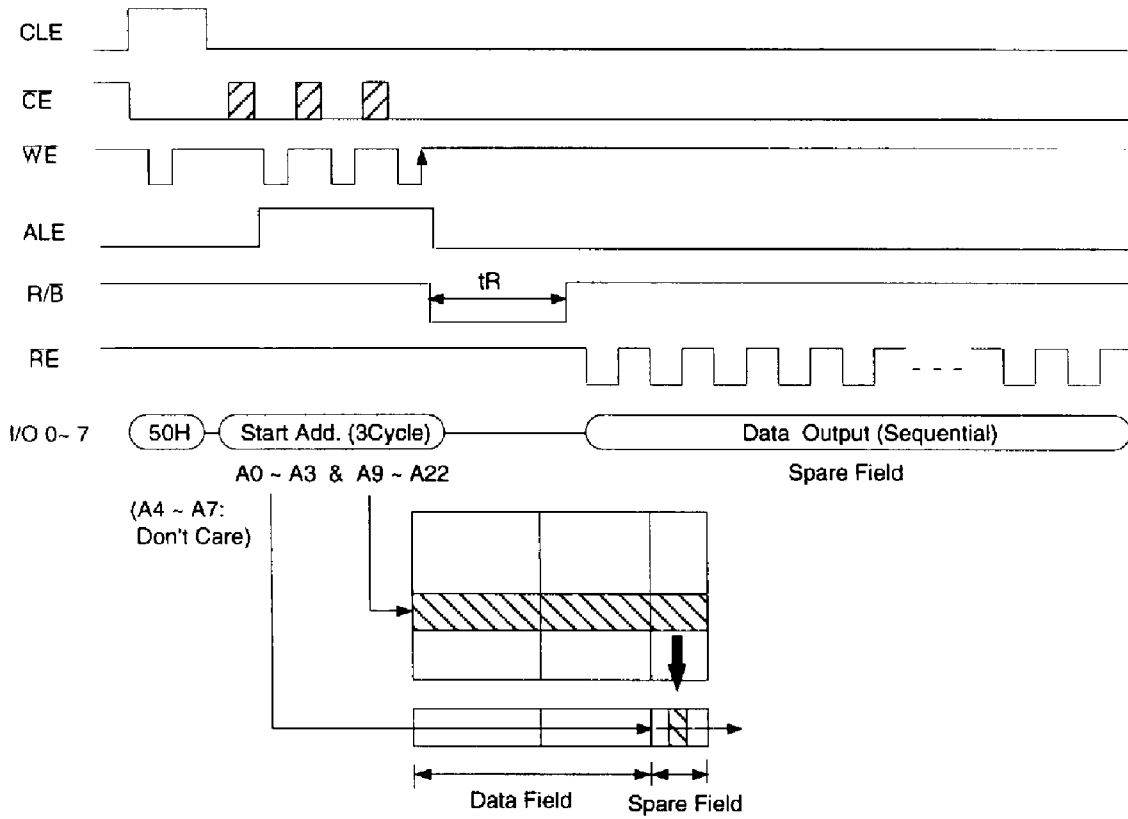


Figure 5. Sequential Row Read 1 Operation

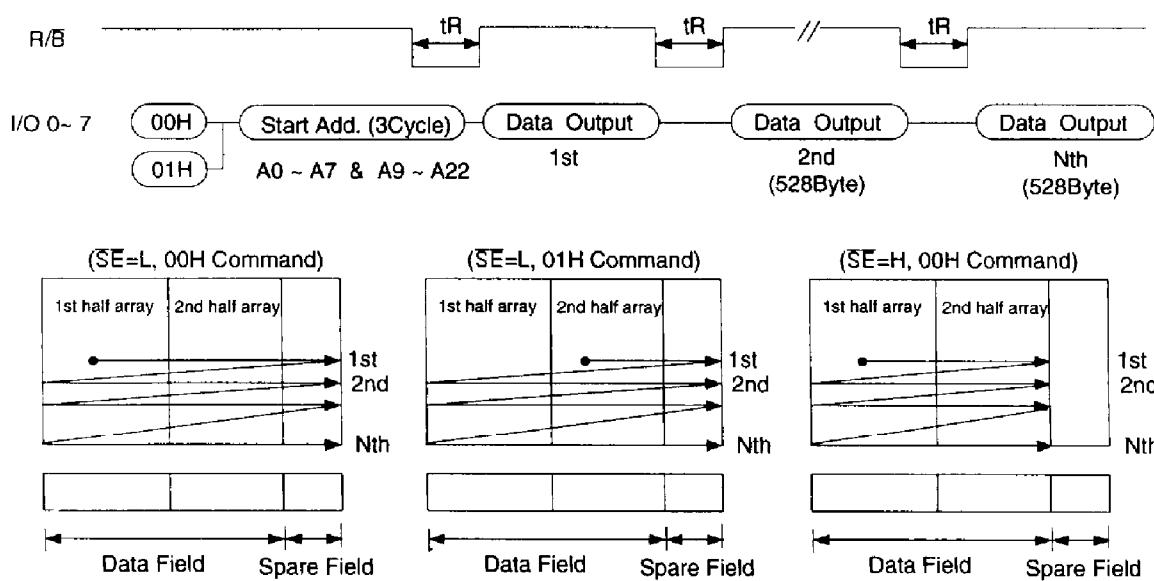




Figure 6. Sequential Row Read 2 Operation (SE = fixed low)

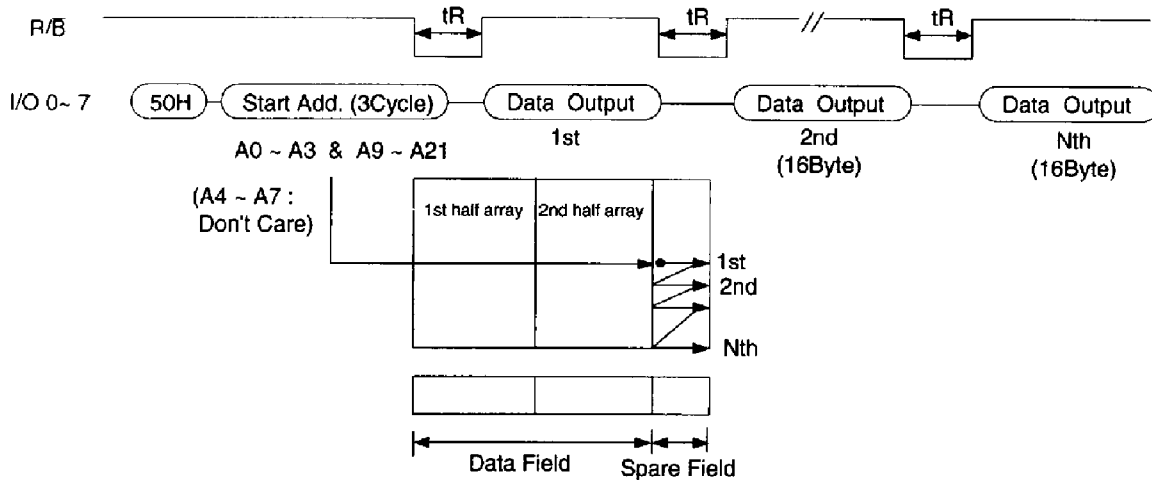
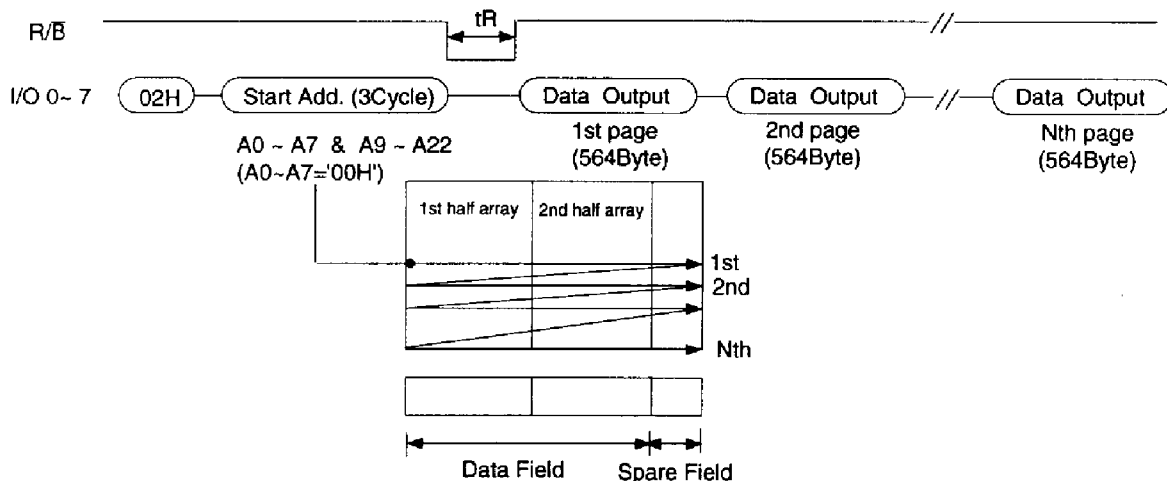


Figure 7. Gap-less Sequential Read Operation (SE = fixed low)

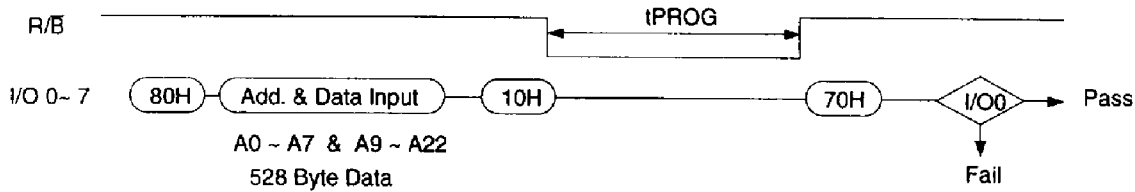


**PAGE PROGRAM**

The device is programmed basically on a page basis, but it does allow partial page program: a byte or consecutive bytes up to 528, in a single page program cycle. The number of consecutive partial page programming operation within the same page without an intervening erase operation must not exceed ten. The addressing may be done in random order in a block. A page program cycle consists of a serial data loading period in which up to 528 bytes of data may be loaded into the page register, followed by a nonvolatile programming period where the loaded data is programmed into the appropriate cell.

The serial data loading period begins by inputting the Serial Data Input command (80H), followed by the three cycle address input and then serial data loading. The bytes other than those to be programmed do not need to be loaded. The Page Program confirm command (10H) initiates the programming process. Writing 10H alone without previously entering the serial data will not initiate the programming process. The internal write controller automatically executes the algorithms and timings necessary for program and verify, thereby freeing the CPU for other tasks. Once the program process starts, the Read Status Register command may be entered, with  $\overline{RE}$  and  $\overline{CE}$  low, to read the status register. The CPU can detect the completion of a program cycle by monitoring the Ready/Busy output, or the Status bit(I/O 6) of the Status Register. Only the Read Status command and Reset command are valid while programming is in progress. When the Page Program is complete, the Write Status Bit(I/O 0) may be checked (Figure 8). The internal write verify detects only errors for "1"s that are not successfully programmed to "0"s. The command register remains in Read Status command mode until another valid command is written to the command register.

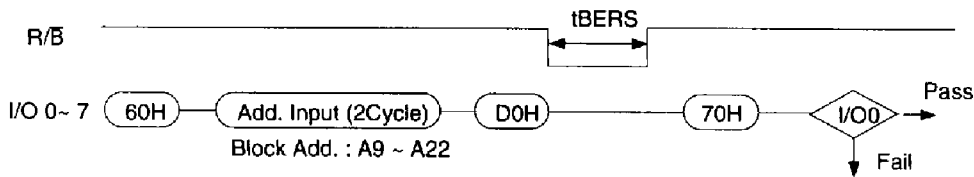
Figure 8. Program & Read Status Operation



**BLOCK ERASE**

The Erase operation can erase on a block(8KByte) basis. Block address loading is accomplished in two cycles initiated by an Erase Setup command(60H). Only address A13 to A22 is valid while A9 to A12 is ignored. The address of the block to be erased to FFH. The Erase Confirm command(D0H) following the block address loading initiates the internal erasing process. This two-step sequence of setup followed by execution ensures that memory contents are not accidentally erased due to external noises conditions. At the rising edge of WE after the erase confirm command input, the internal write controller handles erase, erase-verify and pulse repetition where required. If an erase operation error is detected, the internal verify is halted and erase operation is terminated. When the erase operation is complete, the Write Status Bit(I/O 0) can be checked. Figure 9 detail the sequence.

Figure 9. Block Erase Operation

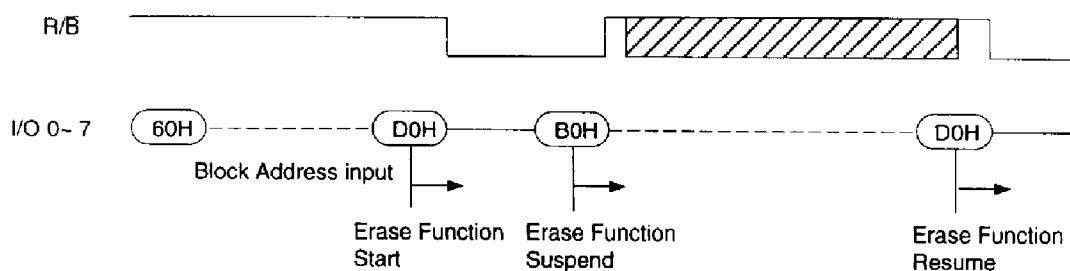


5

**ERASE SUSPEND/ERASE RESUME**

The Erase Suspend allows interruption during any erase operation in order to read or program data to or from another block of memory. Once an erase process begins, writing the Erase Suspend command (B0H) to the command register suspends the internal erase process, and the Ready/Busy signal return to "1". Erase Suspend Status bit will be also set to "1" when the Status Register is read. At this time, blocks other than the suspended block can be read or programmed. The Status Register and Ready/Busy operation will function as usual. After the Erase Resume command is written to it, the erase process is restarted from the beginning of the erasing period. The Erase Suspend Status bit and Ready/Busy will return to "0". Refer to Figure 10 for operation sequence.

Figure 10. Erase Suspend & Erase Resume Operation



**READ STATUS**

The KM29V64000 contains a Status Register which can be read to find out whether program or erase operation is complete, and whether the program or erase operation completed successfully. After writing 70H command to the command register, a read cycle outputs the contents of the Status Register to the I/O pins on the falling edge of  $\overline{CE}$  or  $\overline{RE}$ , whichever occurs last. This two line control allows the system to poll the progress of each device in multiple memory connections even when R/ $\overline{E}$  pins are common-wired.  $\overline{RE}$  or  $\overline{CE}$  does not need to be toggled for updated status. Refer to table 2 for specific Status Register definitions. The command register remains in Status Read mode until further commands are issued to it. Therefore, if the Status Register is read during a random read cycle, the required Read Command (00H or 50H) should be input before serial page read cycle.

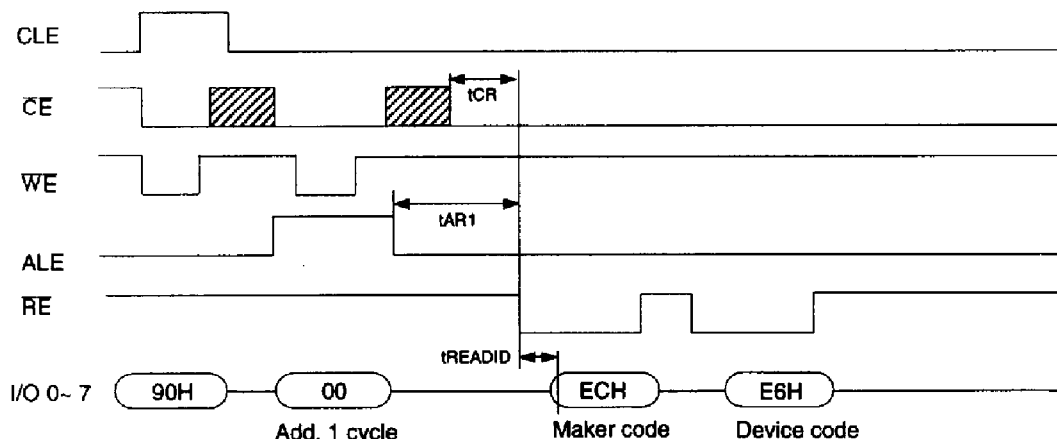
Table 2. STATUS REGISTER DEFINITION

| SR    | Status                     | Definition   |
|-------|----------------------------|--|
| I/O 0 | Program / Erase            | "0" : Successful Program/Erase<br>"1" : Error in Program/Erase |
| I/O 1 | Reserved for Future<br>Use | "0"  |
| I/O 2 |                            | "0"  |
| I/O 3 |                            | "0"  |
| I/O 4 |                            | "0"  |
| I/O 5 | Erase Suspend              | "0" : Erase in Progress/Completed<br>"1" : Suspended           |
| I/O 6 | Device Operation           | "0" : Busy      "1" : Ready                                    |
| I/O 7 | Write Protect              | "0" : Protected      "1" : Not Protected                       |

**READ ID**

The KM29V64000 contains a product identification mode, initiated by writing 90H to the command register, followed by an address input of 00H. Two read cycles sequentially outputs the manufacturer code (ECH), and the device code (E6H) respectively. The command register remains in Read ID mode until further commands are issued to it. Figure 11 shows the operation sequence.

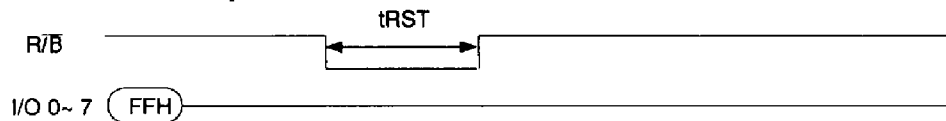
Figure 11. Read ID Operation



## RESET

The KM29V64000 offers a reset feature, executed by writing FFH to the command register. When the device is in Busy state during random read, program or erase modes, the reset operation will abort these operation. The contents of memory cells being altered are no longer valid, as the data will be partially programmed or erased. Internal address registers are cleared to "0"s and data registers to "1"s. The command register is cleared to wait for the next command, and the Status Register is cleared to value C0H when  $\overline{WP}$  is high. Refer to table 3 for device status after reset operation. If the device is already in reset state a new reset command will not be accepted to by the command register . The Ready/Busy pin transitions to low for  $t_{RST}$  after the Reset command is written. Reset command is not necessarily for normal operation. Refer to Figure 12 below.

**Figure 12. RESET Operation**



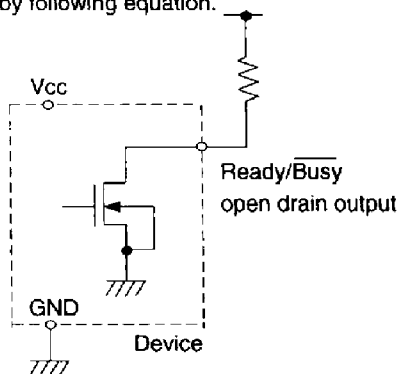
**Table 3. DEVICE STATUS**

|                  | After Power-up | After Reset              |
|------------------|----------------|--------------------------|
| Address Register | All "0"        | All "0"                  |
| Data Register    | All "1"        | All "1"                  |
| Operation Mode   | Read 1         | Waiting for next command |

5

## READY/BUSY

The KM29V64000 has a Ready/Busy output that provides a hardware method of indicating the completion of a page program, erase and random read completion. The R/B pin is normally high but transitions to low after program or erase command is written to the command register or random read is begin after address loading. It returns to high when the internal controller has finished the operation. The pin is an open-drain driver thereby allowing two or more Ready/Busy outputs to be Or-tied. An appropriate pull-up resistor is required for proper operation and the value may be calculated by following equation.



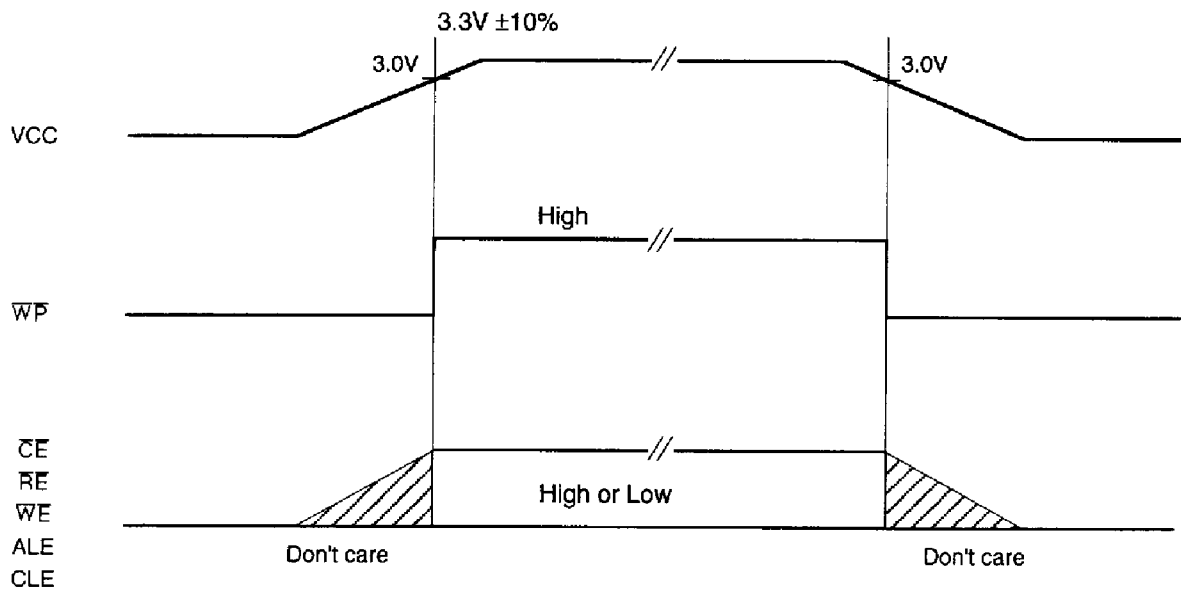
$$R_p = \frac{V_{cc}(\text{Max.}) - V_{OL}(\text{Max.})}{I_{OL} + \sum I_L} = \frac{3.2V}{8\text{mA} + \sum I_L}$$

where  $I_L$  is the sum of the input currents of all devices tied to the Ready/Busy pin.

**DATA PROTECTION**

The KM29V64000 has a write protect pin ( $\overline{WP}$ ) to provide protection from any accidental write operation during power transition. During device power up, the  $\overline{WP}$  should be at  $V_{IL}$  until  $V_{CC}$  reaches approximately 3.0V, during power down should be at  $V_{IL}$  when  $V_{CC}$  falls below 3.0V. Refer to Figure 14 below.

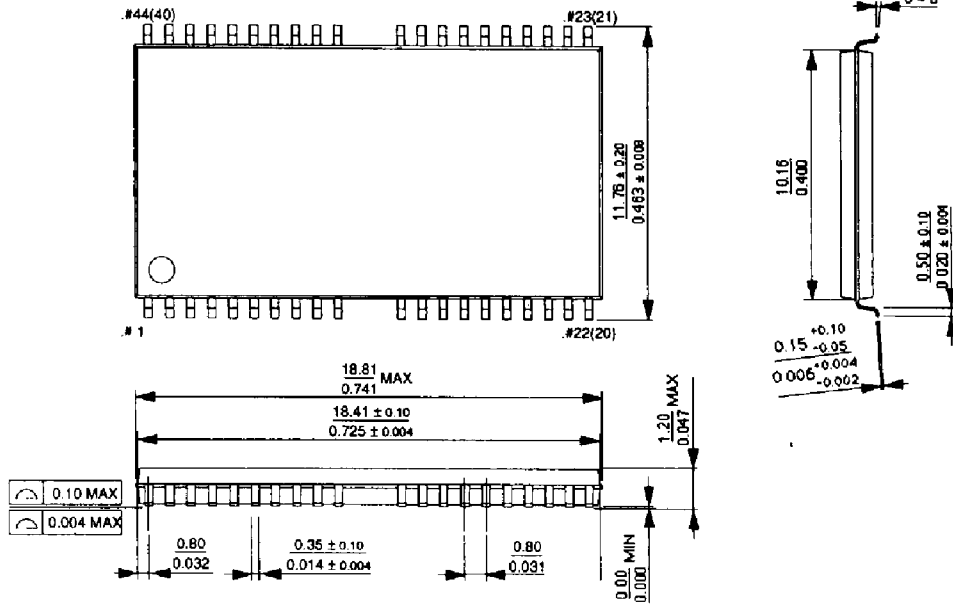
**Figure 14. AC WAVEFORMS for POWER TRANSITIONS**



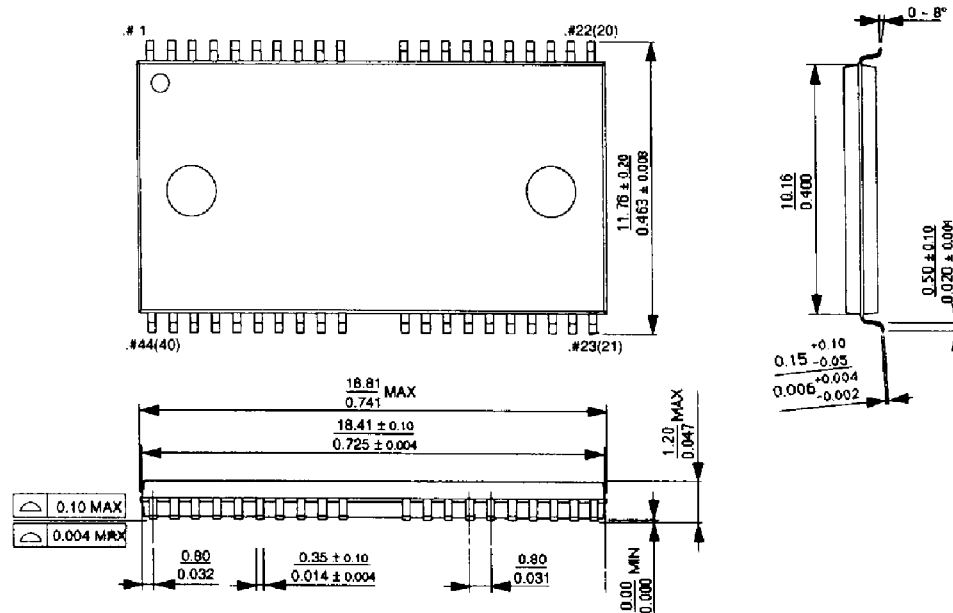
# PACKAGE DIMENSIONS

Unit : mm/inch

## 44(40)-TSOP2-400F



## 44(40)-TSOP2-400R



6