

# Video signal switcher

## BA7607 / BA7607F

The BA7607 and BA7607F are switching ICs developed for use in VCRs. Each contains three two-channel analog multiplexers. As two of the switches have sync-tip clamp inputs and the other one has non-clamped inputs these ICs are ideal for switching audio, video and chroma signals.

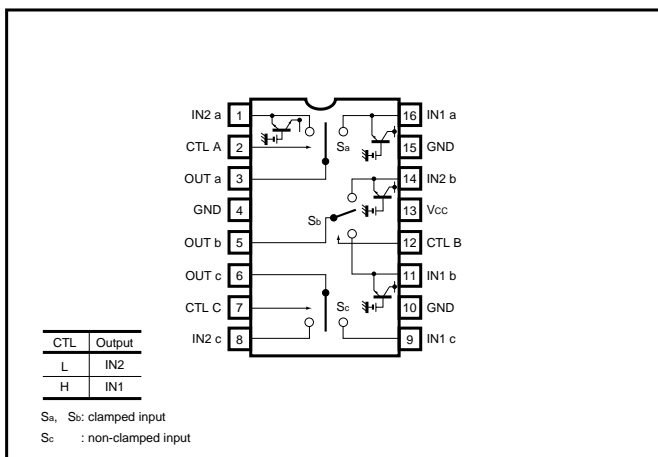
●Applications

Video cassette recorders and televisions

●Features

- 1) Three 2-input / 1-output switches (two with sync-tip clamped inputs, the other one non-clamped).
- 2) 5V power supply.
- 3) Low power consumption (62.5mW Typ.).
- 4) Excellent frequency characteristics (10MHz, 0dB Typ.).
- 5) Wide dynamic range (clamped input: 2.9V<sub>P-P</sub> Typ., non-clamped input: 3.0V<sub>P-P</sub> Typ.).
- 6) Fast switching speed (50ns Typ.).

●Block diagram



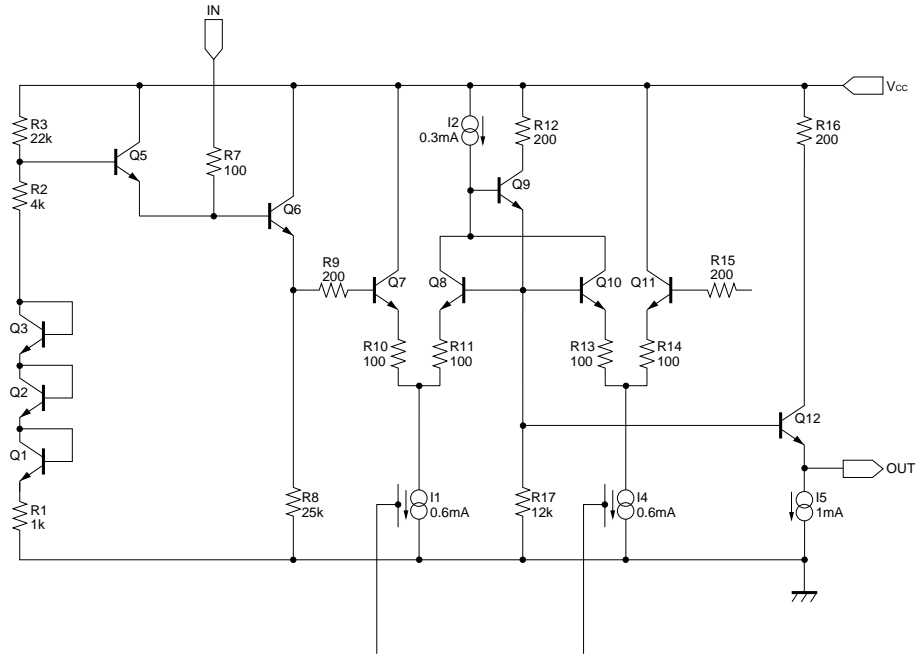
●Absolute maximum ratings (Ta = 25°C)

Parameter	Symbol	Limits	Unit
Power supply voltage	V <sub>cc</sub>	9	V
Power dissipation	P <sub>d</sub>	500*	mW
Operating temperature	T <sub>opr</sub>	- 40 ~ + 85	°C
Storage temperature	T <sub>stg</sub>	- 55 ~ + 125	°C

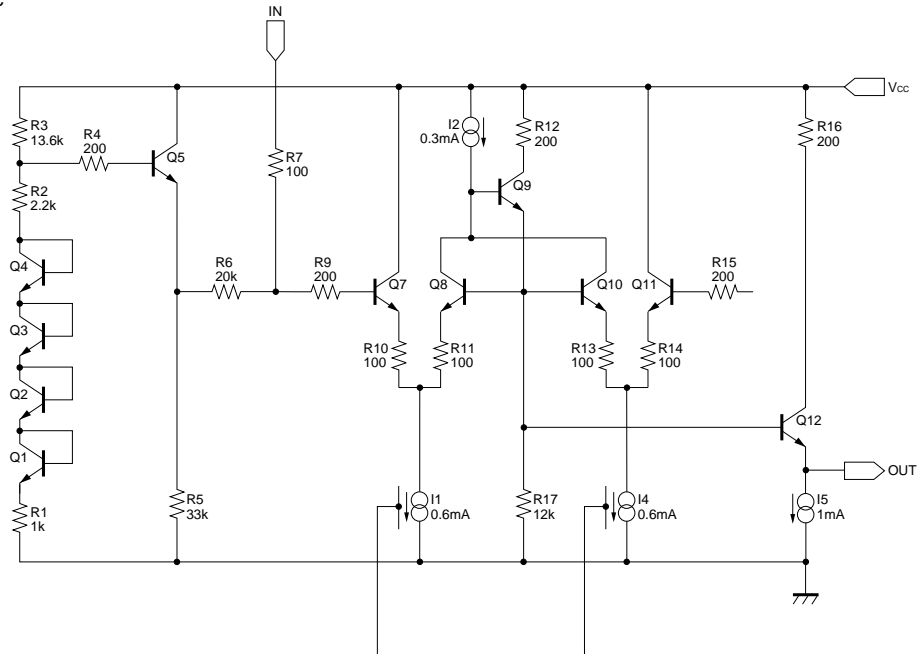
\* Reduced by 5.0mW for each increase in Ta of 1°C over 25°C.

●Equivalent circuits

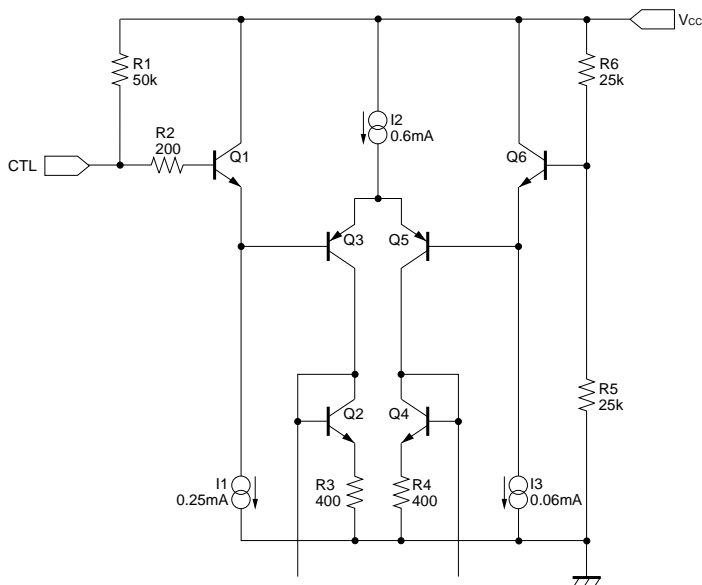
Sa, Sb



Sc



## CTL



●Electrical characteristics (unless otherwise noted,  $T_a = 25^\circ\text{C}$  and  $V_{CC} = 5\text{V}$ )

Parameter	Symbol	Min.	Typ.	Max.	Unit	Conditions
Operating voltage	$V_{CC}$	4.5	5.0	5.5	V	—
Supply current	$I_{CC}$	—	12.5	17.0	mA	—
Maximum output level 1	$V_{om}$	2.6	2.9	—	$V_{P-P}$	$f = 1\text{kHz}$ , THD = 0.5%, clamped input
Maximum output level 2	$V_{om}$	2.7	3.0	—	$V_{P-P}$	$f = 1\text{kHz}$ , THD = 0.5%, non-clamped input
Voltage gain	$G_V$	-0.5	0	0.5	dB	$f = 1\text{MHz}$ , $V_{IN} = 1V_{P-P}$
Interchannel crosstalk	$C_T$	—	-65	—	dB	$f = 4.43\text{MHz}$ , $V_{IN} = 1V_{P-P}$
Frequency characteristic	$G_f$	-3	0	1	dB	$10\text{MHz} / 1\text{MHz}$ , $V_{IN} = 1V_{P-P}$
Input impedance	$Z_{IN}$	14	20	26	$k\Omega$	non-clamped input
Total-harmonic distortion	THD	—	0.007	—	%	$f = 1\text{kHz}$ , $1V_{P-P}$ , non-clamped input
CTL pin switch level	$V_{TH}$	2.0	2.5	3.0	V	—

Note: Refer to the measurement circuit given in Fig. 1.

## ●Reference date

Pin DC voltages (reference values)

Units: Vdc

Pin No.	DC voltage	Pin No.	DC voltage
1	2.05	9	2.48
2	4.91	10	0
3	0.65	11	2.05
4	0	12	4.91
5	0.65	13	5.00
6	1.76	14	2.05
7	4.91	15	0
8	2.48	16	2.05

## Electrical characteristics

Parameter	Min.	Typ.	Max.	Unit
Sync tip clamp level	0.49	0.65	0.80	Vdc
Input impedance (no clamp)	—	20k	—	$\Omega$
Input impedance (with clamp)	—	1.7M	—	$\Omega$
Output impedance	—	30	—	$\Omega$

The input coupling capacitor values should be 0.1 $\mu$ F to 1 $\mu$ F.

● Measurement circuit

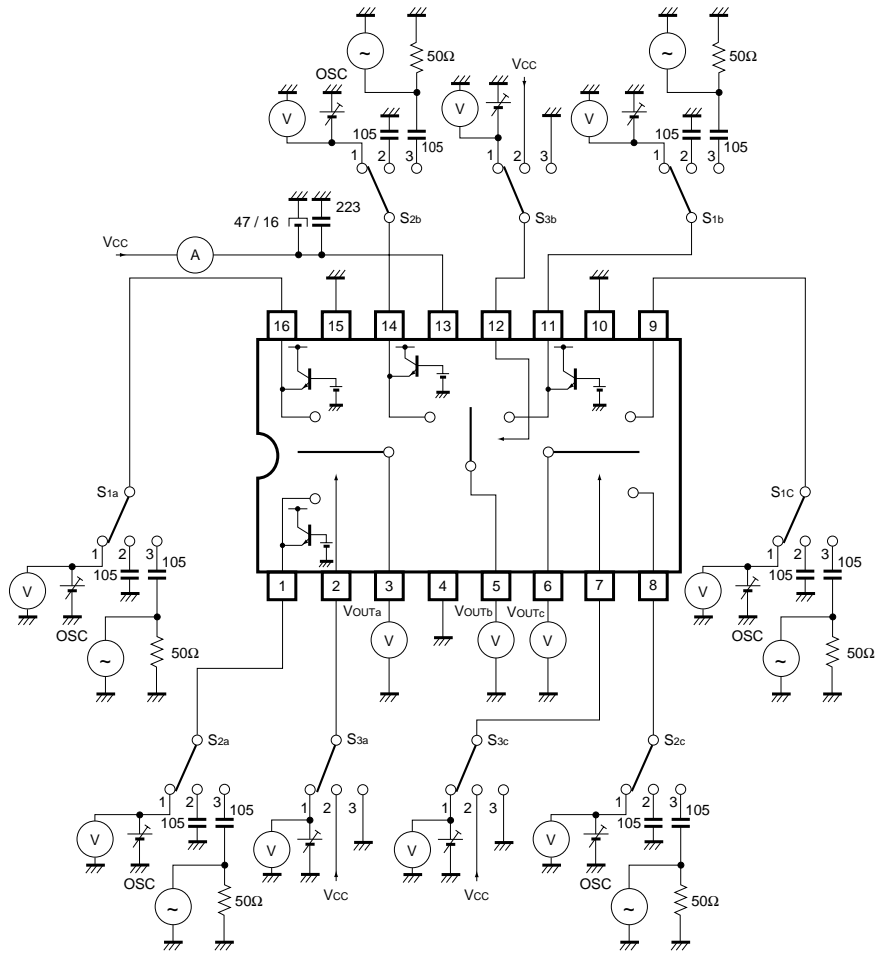


Fig.1

## ● Measurement conditions

Parameter		Symbol	Switch settings									Measurement method
			S <sub>1a</sub>	S <sub>2a</sub>	S <sub>3a</sub>	S <sub>1b</sub>	S <sub>2b</sub>	S <sub>3b</sub>	S <sub>1c</sub>	S <sub>2c</sub>	S <sub>3c</sub>	
Current dissipation		I <sub>CC</sub>	2	2	2	2	2	2	2	2	2	
Maximum output level	IN1a	V <sub>om</sub>	3	2	2	2	2	2	2	2	2	f = 1kHz, THD = 0.5% Note 1
	IN2a	V <sub>om</sub>	2	3	3	2	2	2	2	2	2	
	IN1b	V <sub>om</sub>	2	2	2	3	2	2	2	2	2	
	IN2b	V <sub>om</sub>	2	2	2	2	3	3	2	2	2	
	IN1c	V <sub>om</sub>	2	2	2	2	2	2	3	2	2	
	IN2c	V <sub>om</sub>	2	2	2	2	2	2	2	3	3	
Voltage gain	IN1a	G <sub>V</sub>	3	2	2	2	2	2	2	2	2	f = 1MHz, V = 1V <sub>P-P</sub> Note 2
	IN2a	G <sub>V</sub>	2	3	3	2	2	2	2	2	2	
	IN1b	G <sub>V</sub>	2	2	2	3	2	2	2	2	2	
	IN2b	G <sub>V</sub>	2	2	2	2	3	3	2	2	2	
	IN1c	G <sub>V</sub>	2	2	2	2	2	2	3	2	2	
	IN2c	G <sub>V</sub>	2	2	2	2	2	2	2	3	3	
Interchannel crosstalk	IN1a	C <sub>T</sub>	2	3	2	2	2	2	2	2	2	f = 4.43MHz, V = 1V <sub>P-P</sub> Note 3
	IN2a	C <sub>T</sub>	3	2	3	2	2	2	2	2	2	
	IN1b	C <sub>T</sub>	2	2	2	2	3	2	2	2	2	
	IN2b	C <sub>T</sub>	2	2	2	3	2	3	2	2	2	
	IN1c	C <sub>T</sub>	2	2	2	2	2	2	2	3	2	
	IN2c	C <sub>T</sub>	2	2	2	2	2	2	3	2	3	
Frequency characteristic	IN1a	G <sub>f</sub>	3	2	2	2	2	2	2	2	2	f = 10M / f = 1M, V = 1V <sub>P-P</sub> Note 4
	IN2a	G <sub>f</sub>	2	3	3	2	2	2	2	2	2	
	IN1b	G <sub>f</sub>	2	2	2	3	2	2	2	2	2	
	IN2b	G <sub>f</sub>	2	2	2	2	3	3	2	2	2	
	IN1c	G <sub>f</sub>	2	2	2	2	2	2	3	2	2	
	IN2c	G <sub>f</sub>	2	2	2	2	2	2	2	3	3	
CTL pin switching level	CTL a	V <sub>TH</sub>	3	2	1	2	2	2	2	2	2	Note 5
	CTL b	V <sub>TH</sub>	2	2	2	3	2	1	2	2	2	
	CTL c	V <sub>TH</sub>	2	2	2	2	2	2	3	2	1	
Input impedance	IN1 c	Z <sub>IN</sub>	2	2	2	2	2	2	1	2	2	Note 6
	IN2 c	Z <sub>IN</sub>	2	2	2	2	2	2	2	1	3	
Total-harmonic distortion	IN1 c	THD	2	2	2	2	2	2	3	2	2	Note 7
	IN2 c	THD	2	2	2	2	2	2	2	3	3	

Note 1: Connect a distortion meter to the output, and input a f = 1kHz sine wave. Adjust the output level until the output distortion is 0.5%.

This output voltage at this time is the maximum output level V<sub>om</sub> (V<sub>P-P</sub>).

Note 2: Input a 1V<sub>P-P</sub>, 1MHz sine wave. The voltage gain is given by  $G_V = 20 \log (V_{OUT} / V_{IN})$ .

Note 3: Input a 1V<sub>P-P</sub>, 4.43MHz sine wave. The interchannel crosstalk is given by  $C_T = 20 \log (V_{OUT} / V_{IN})$ .

Note 4: Input 1V<sub>P-P</sub>, 1MHz and 10MHz sine waves. The frequency characteristic is given by  $G_f = 20 \log (V_{OUT} (f = 10\text{MHz}) / V_{OUT} (f = 1\text{MHz}))$ .

Note 5: Input a 1V<sub>P-P</sub>, 1MHz sine wave. Reduce the CTL pin voltage from V<sub>CC</sub>.

The CTL pin switching level (V<sub>TH</sub>) is the CTL pin voltage at which the V<sub>OUT</sub> level drops below 20mV<sub>P-P</sub>.

Note 6: Measure the input pin voltage V<sub>IN50</sub> when a current of DC50μA is flowing into the input pin. Measure the input pin open-circuit voltage.

The input impedance is given by  $Z = (V_{IN50} - V_{IN0}) / 50 \times 10^{-6} [\Omega]$ .

Note 7: Input a 1V<sub>P-P</sub>, 1kHz sine wave and measure the total-harmonic distortion of the output using a total-harmonic distortion meter.

● External dimensions (Units: mm)

